



US00D823800S

(12) **United States Design Patent**
Inskeep

(10) **Patent No.:** **US D823,800 S**
(45) **Date of Patent:** **** Jul. 24, 2018**

- (54) **INVERTER**
- (71) Applicant: **Mathew Inskeep**, Highland Beach, FL (US)
- (72) Inventor: **Mathew Inskeep**, Highland Beach, FL (US)
- (**) Term: **15 Years**
- (21) Appl. No.: **29/596,476**
- (22) Filed: **Mar. 8, 2017**
- (51) **LOC (11) Cl.** **13-02**
- (52) **U.S. Cl.**
USPC **D13/110**
- (58) **Field of Classification Search**
USPC D13/103, 102, 107-108, 110, 118-119, D13/184
CPC Y02E 60/12; Y02E 60/122; Y02E 60/124; Y02E 60/50; H01M 2/02; H01M 2/022; H01M 2/0202; H01M 2/0207; H01M 2/0212; H01M 2/1061; H01M 2/1022; H01M 2/1055; H01M 2/1066; H01M 2/105; H01M 2/204; H01M 10/4257; H01M 10/0436; H01M 10/48
See application file for complete search history.

D646,633 S *	10/2011	Inskeep	D13/110
D651,167 S *	12/2011	Lemelman	D13/103
D662,053 S *	6/2012	Inskeep	D13/110
D664,501 S *	7/2012	Inskeep	D13/107
D667,713 S *	9/2012	Inskeep	D8/61
D715,735 S *	10/2014	Levy	D13/108
8,988,040 B2 *	3/2015	Levy	H01R 31/065 320/107
D766,178 S *	9/2016	Esses	D13/107
D785,565 S *	5/2017	Xu	D13/110
9,866,044 B1 *	1/2018	Bell	H02J 7/0042

* cited by examiner

Primary Examiner — Robert M. Spear
Assistant Examiner — Alison M Ofstun

(57) **CLAIM**

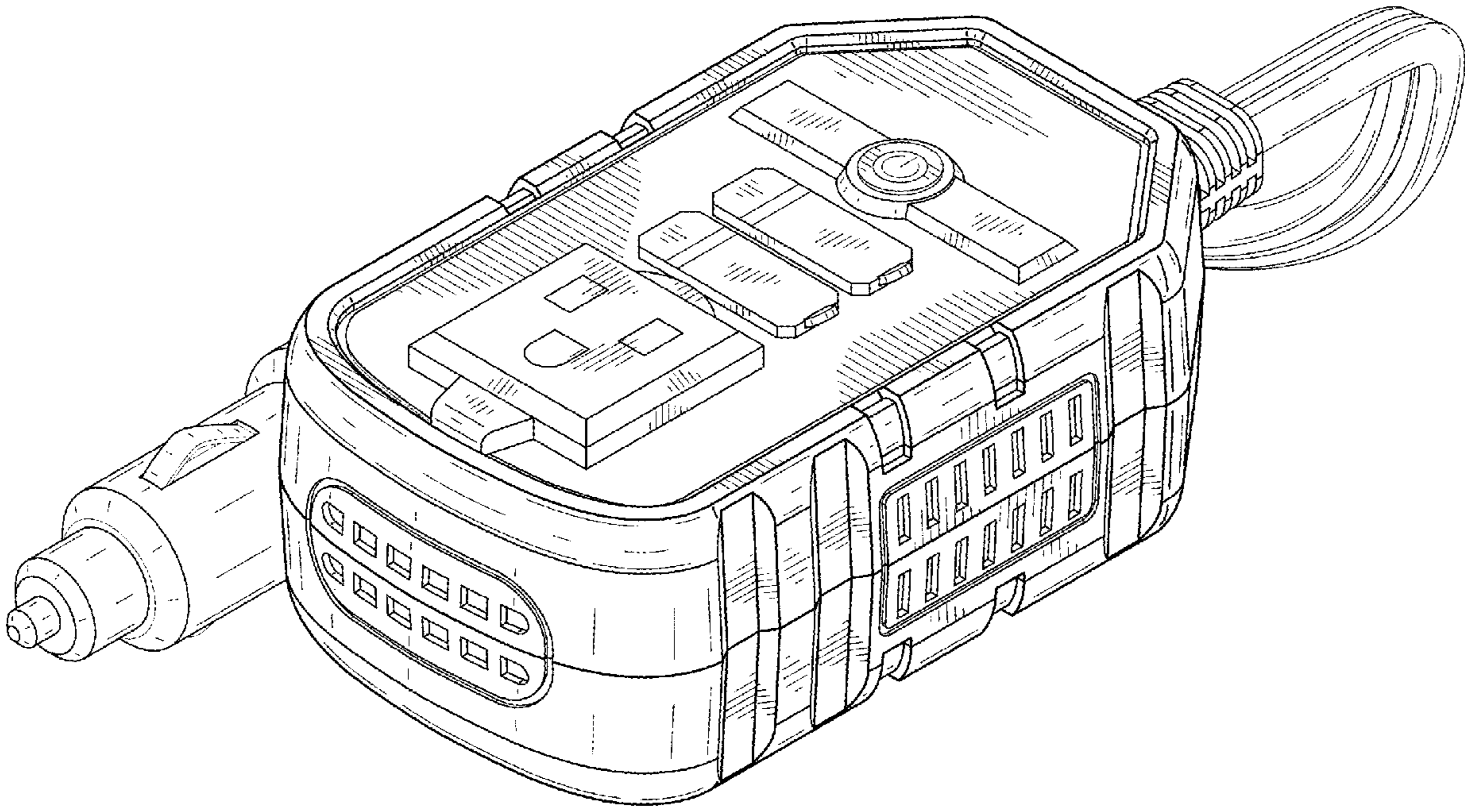
I claim the ornamental design for an inverter, as shown and described.

DESCRIPTION

FIG. 1 is a perspective view of the inverter showing my new design.
 FIG. 2 is a bottom perspective view thereof.
 FIG. 3 is a top perspective view of the inverter with the outlet panels opened.
 FIG. 4 is a bottom perspective view of the inverter with the outlet panels opened and installation panel opened.
 FIG. 5 is a front view thereof.
 FIG. 6 is a back view thereof.
 FIG. 7 is a right side view thereof.
 FIG. 8 is a right side view with outlet panels opened.
 FIG. 9 is a top view thereof; and,
 FIG. 10 is a bottom view thereof.

1 Claim, 10 Drawing Sheets

- (56) **References Cited**
U.S. PATENT DOCUMENTS
5,847,545 A * 12/1998 Chen H01R 29/00
307/18
D435,242 S * 12/2000 Yoshida D13/110
D494,541 S * 8/2004 Hriscu D13/110



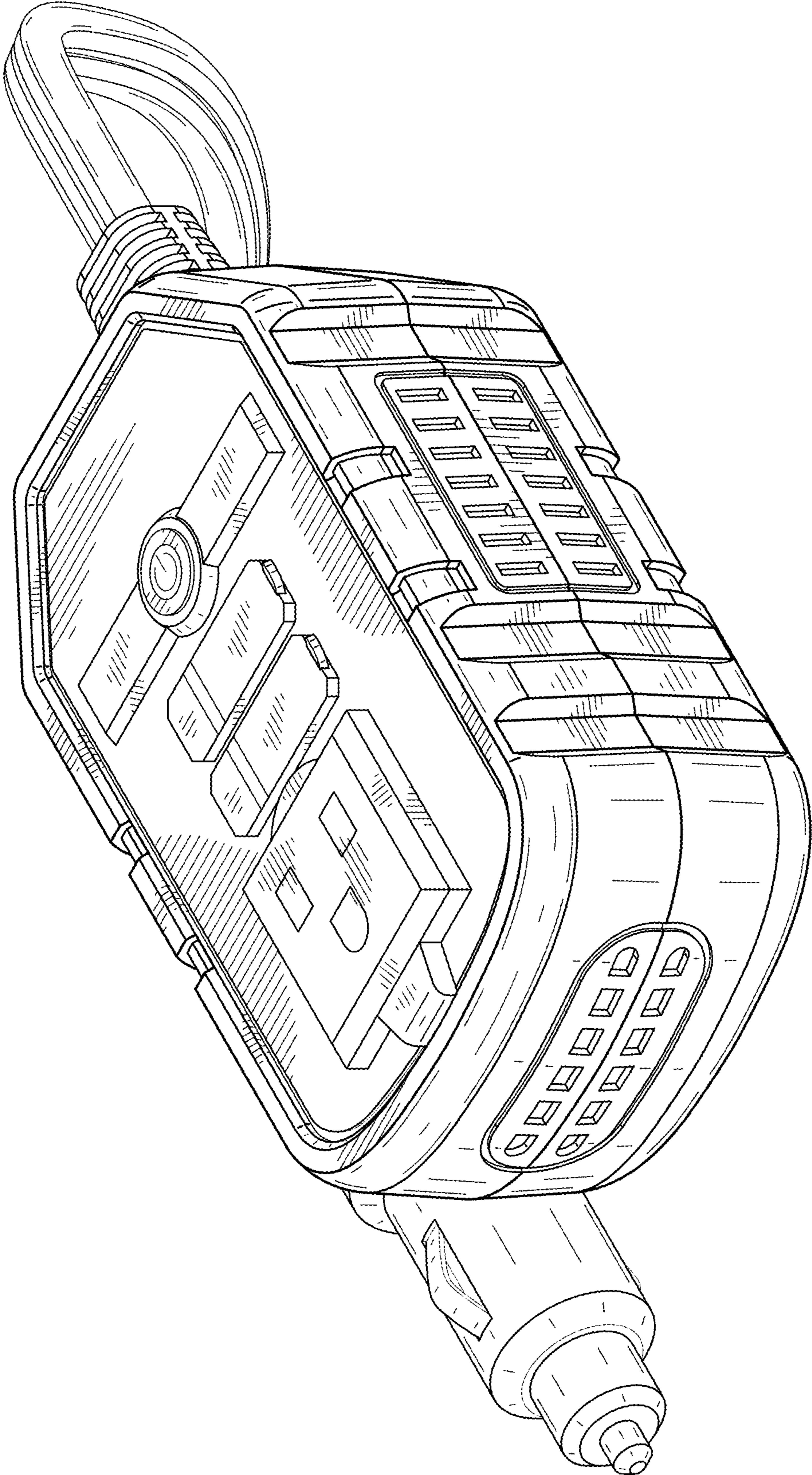


FIG. 1

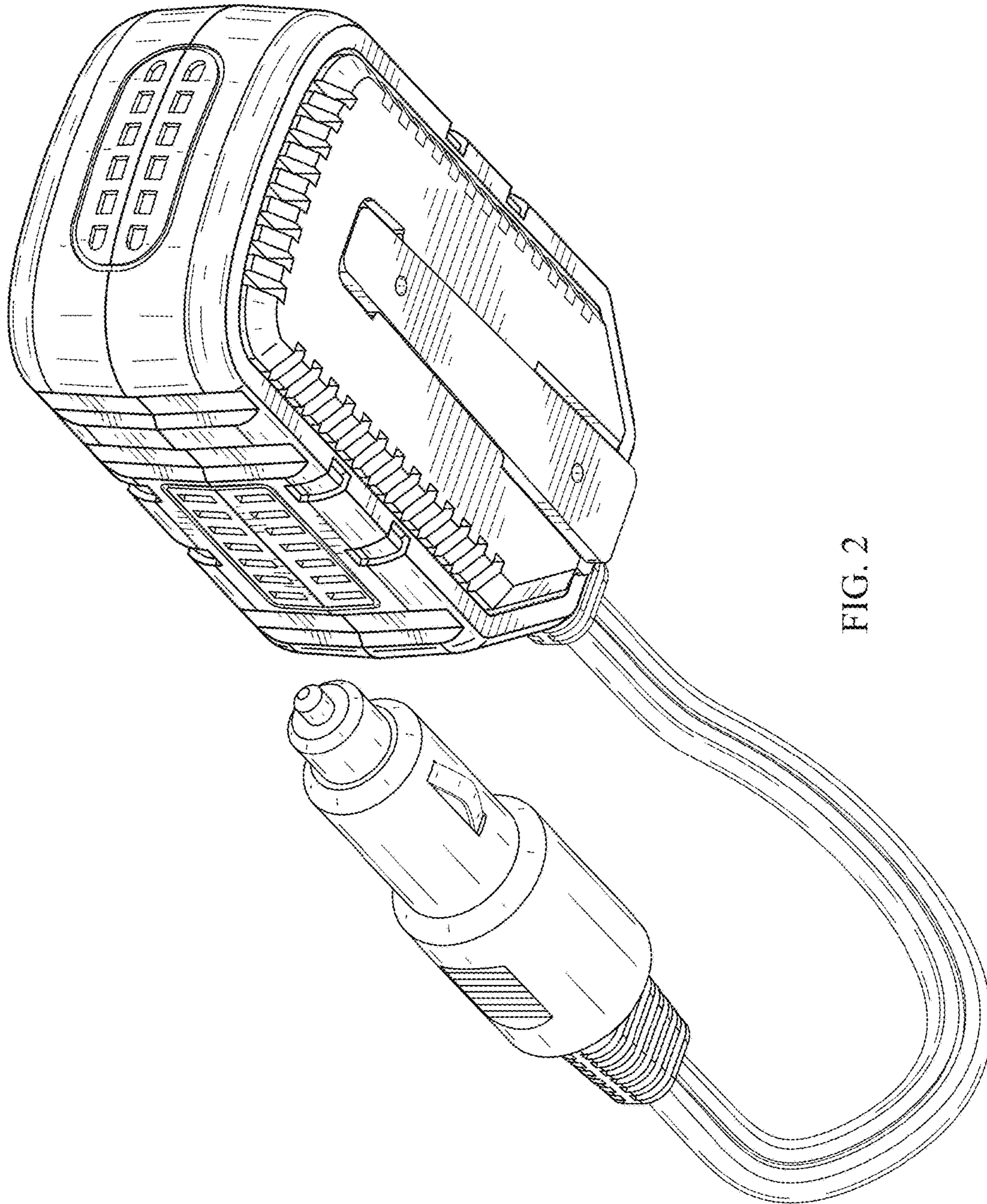


FIG. 2

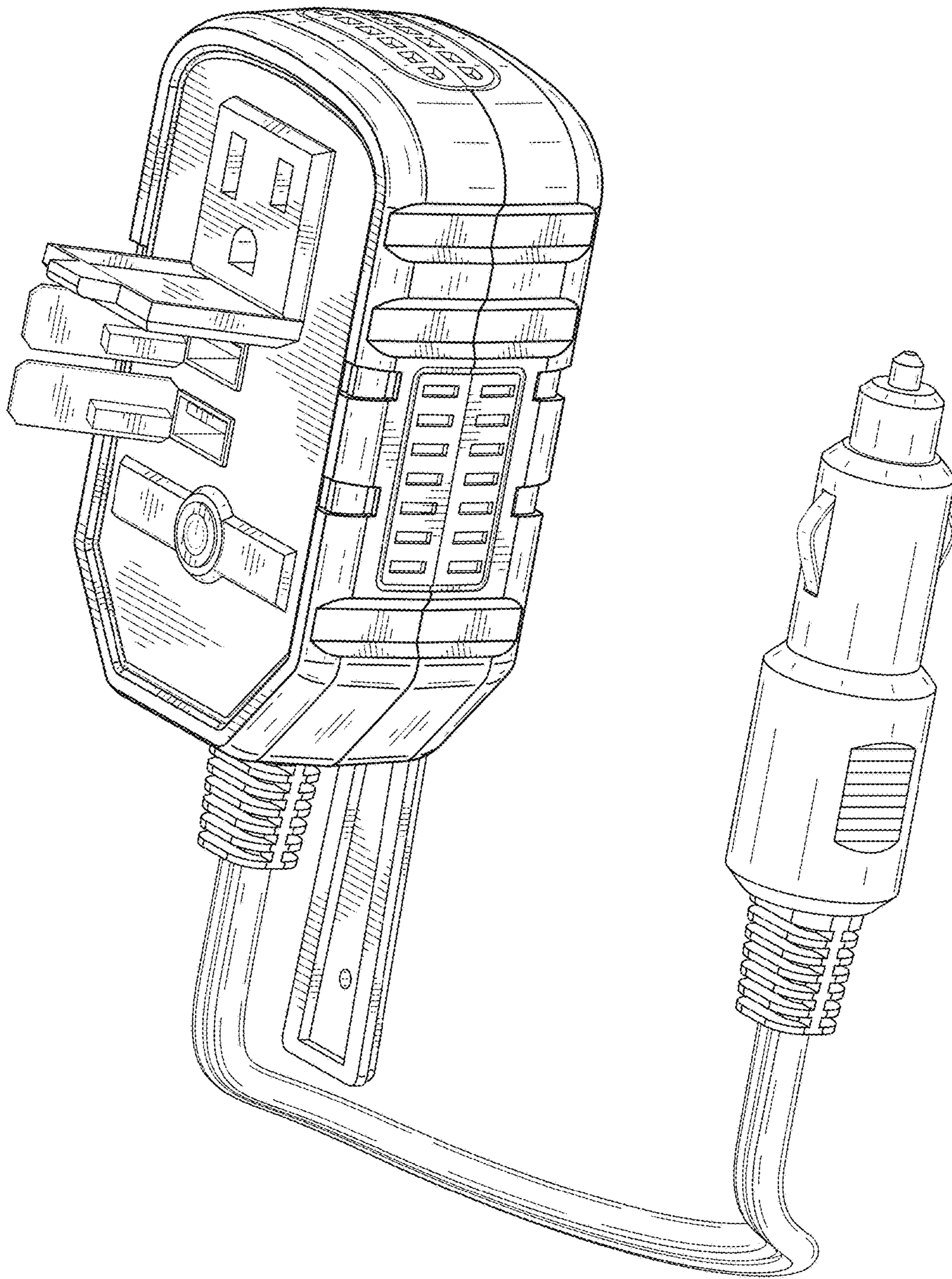


FIG. 3

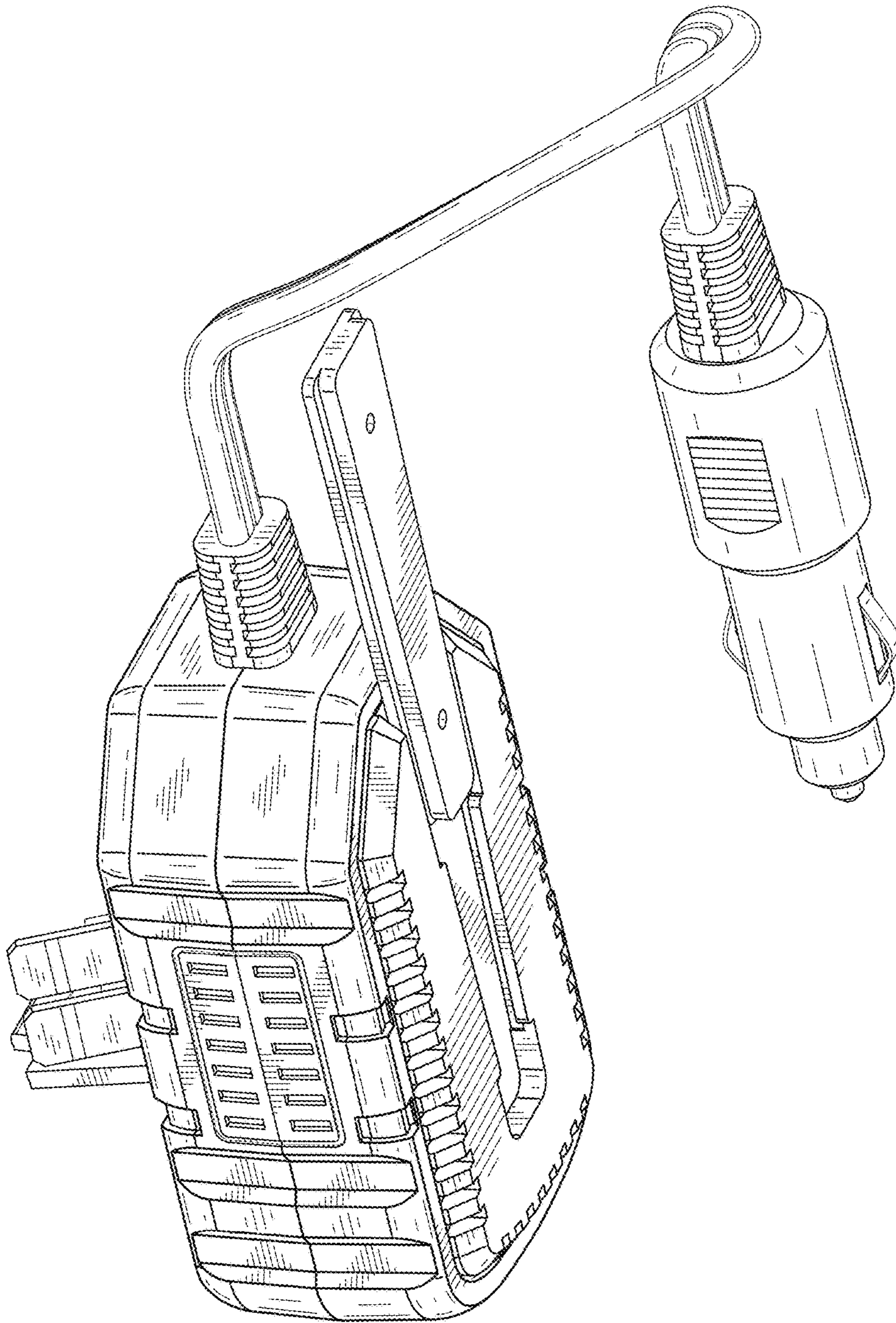


FIG. 4

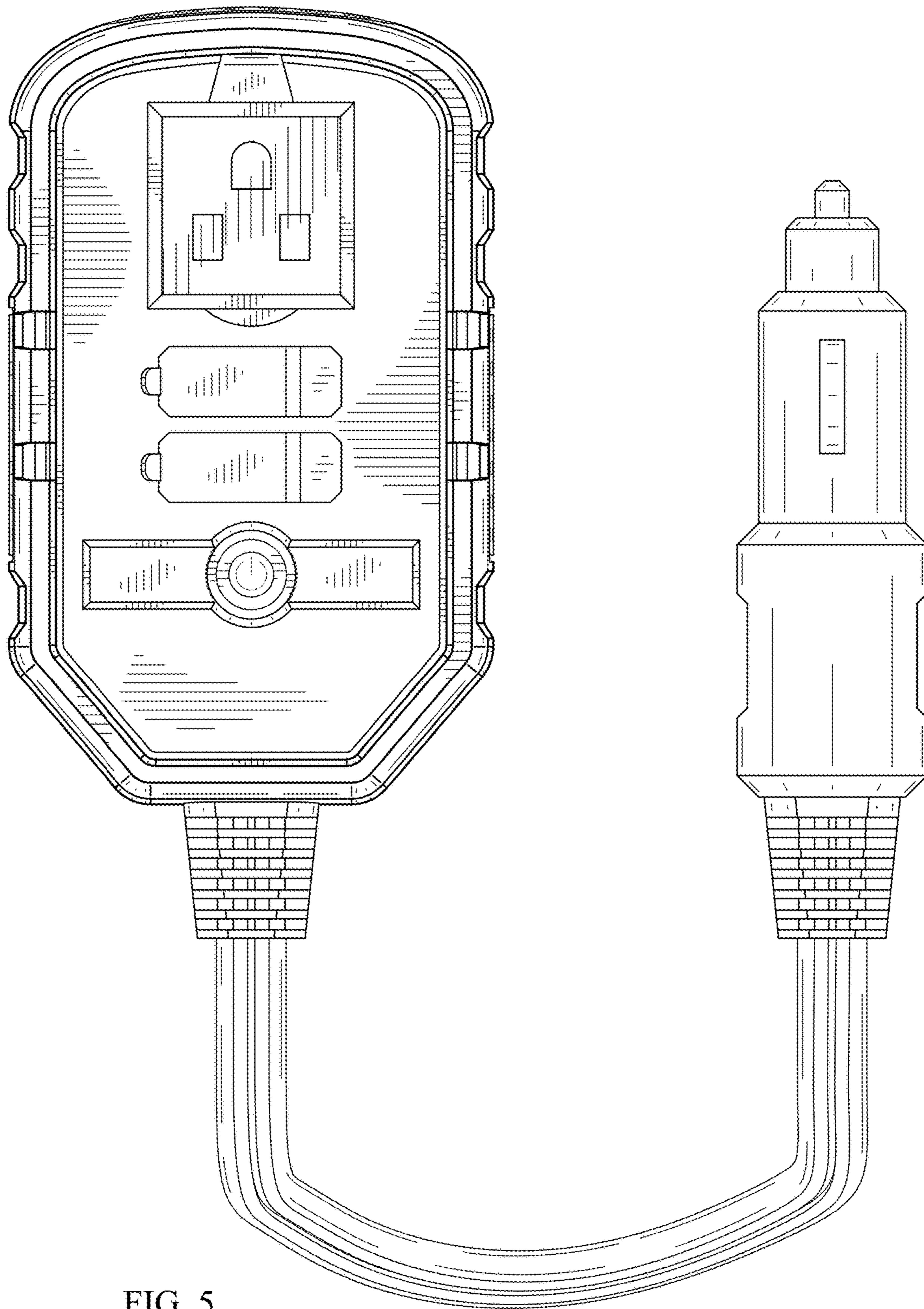


FIG. 5

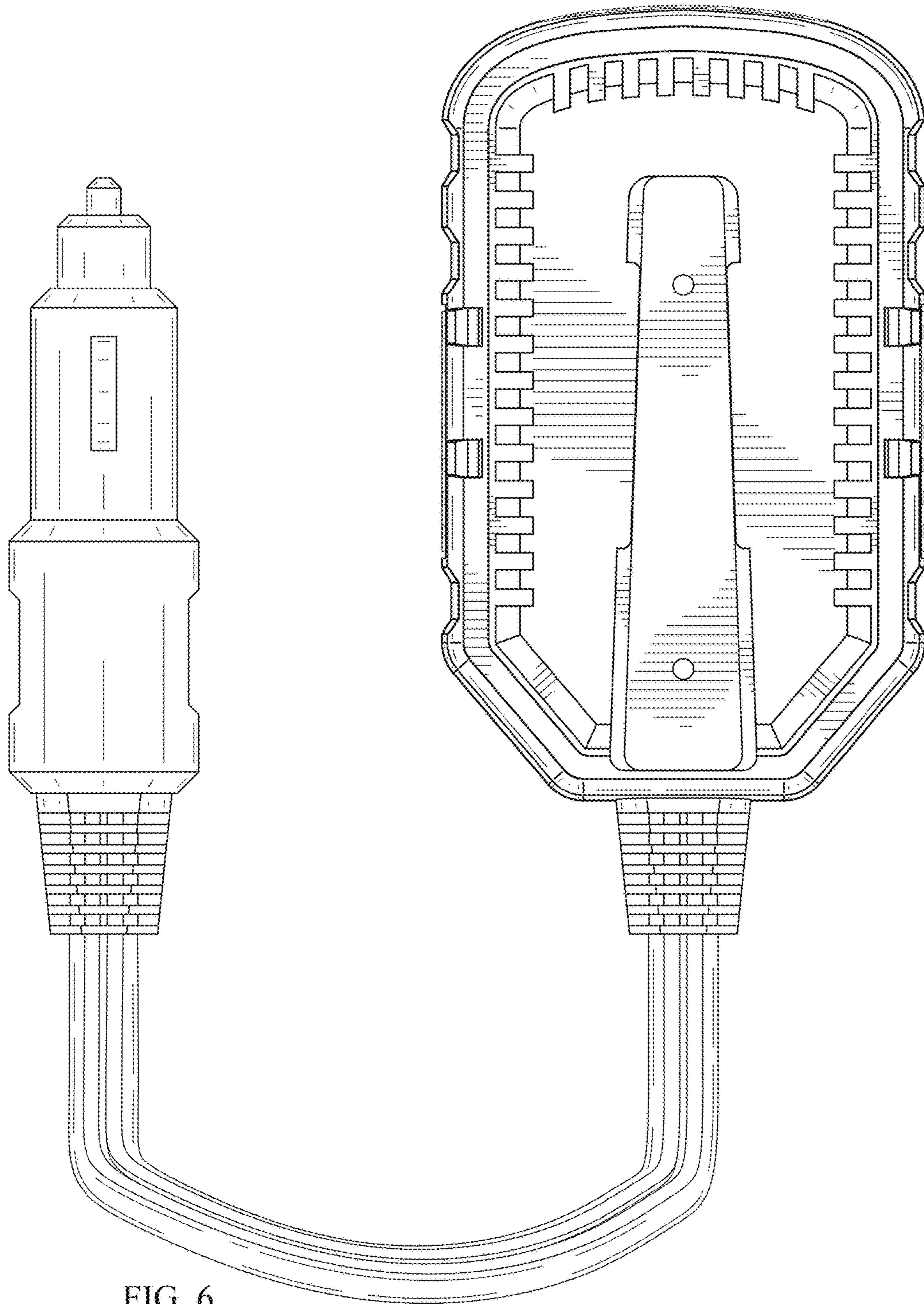


FIG. 6

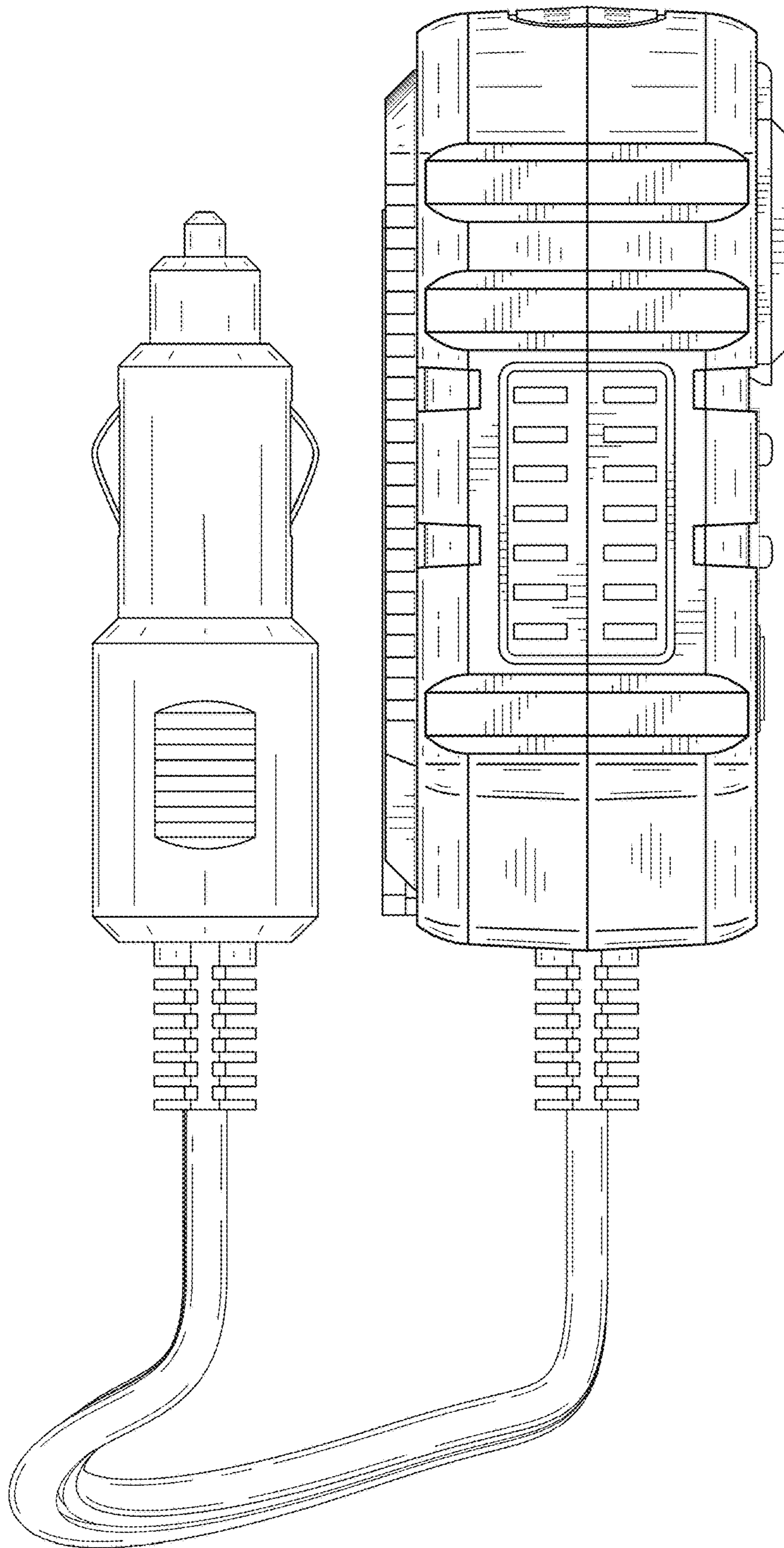


FIG. 7

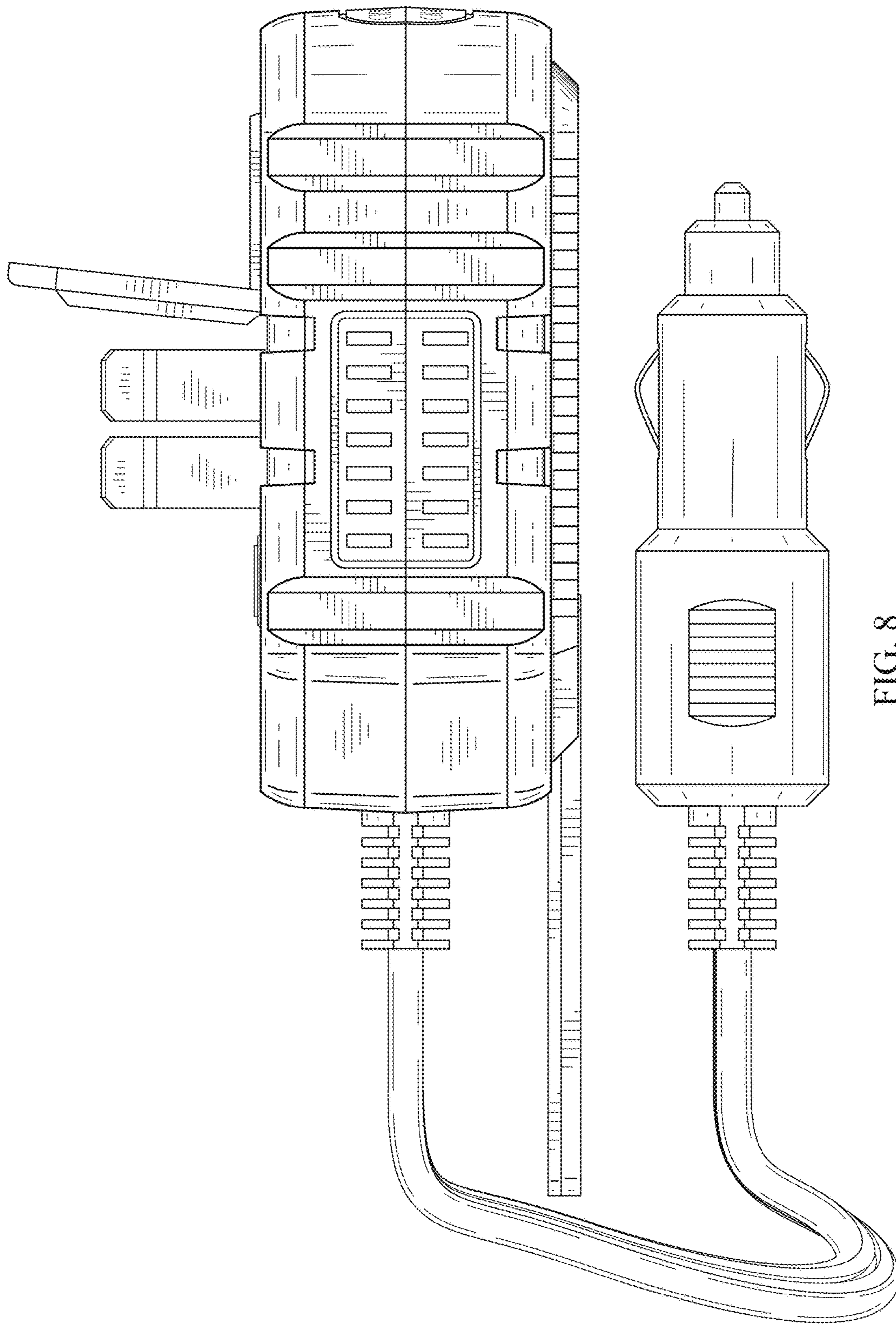


FIG. 8

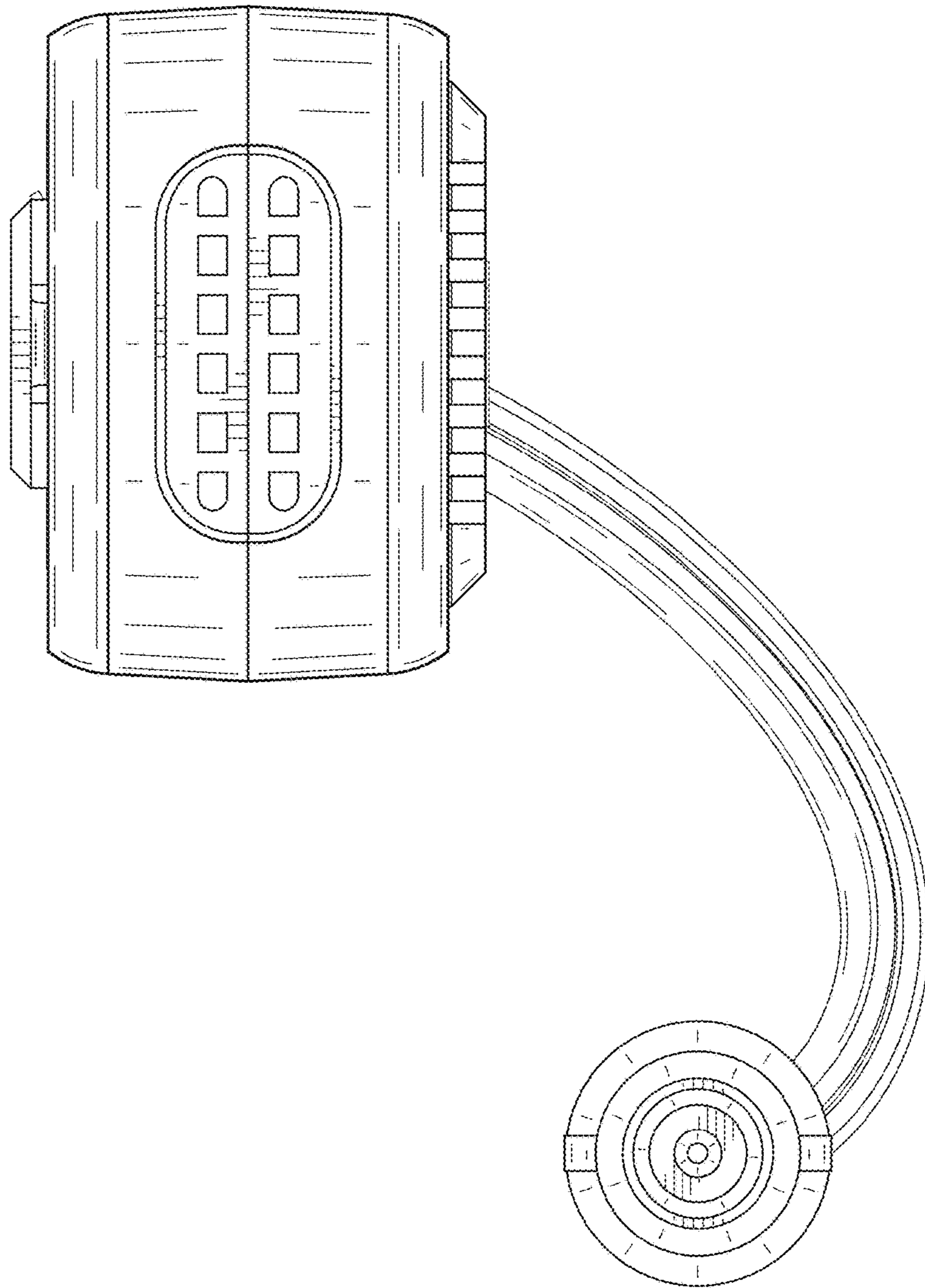


FIG. 9

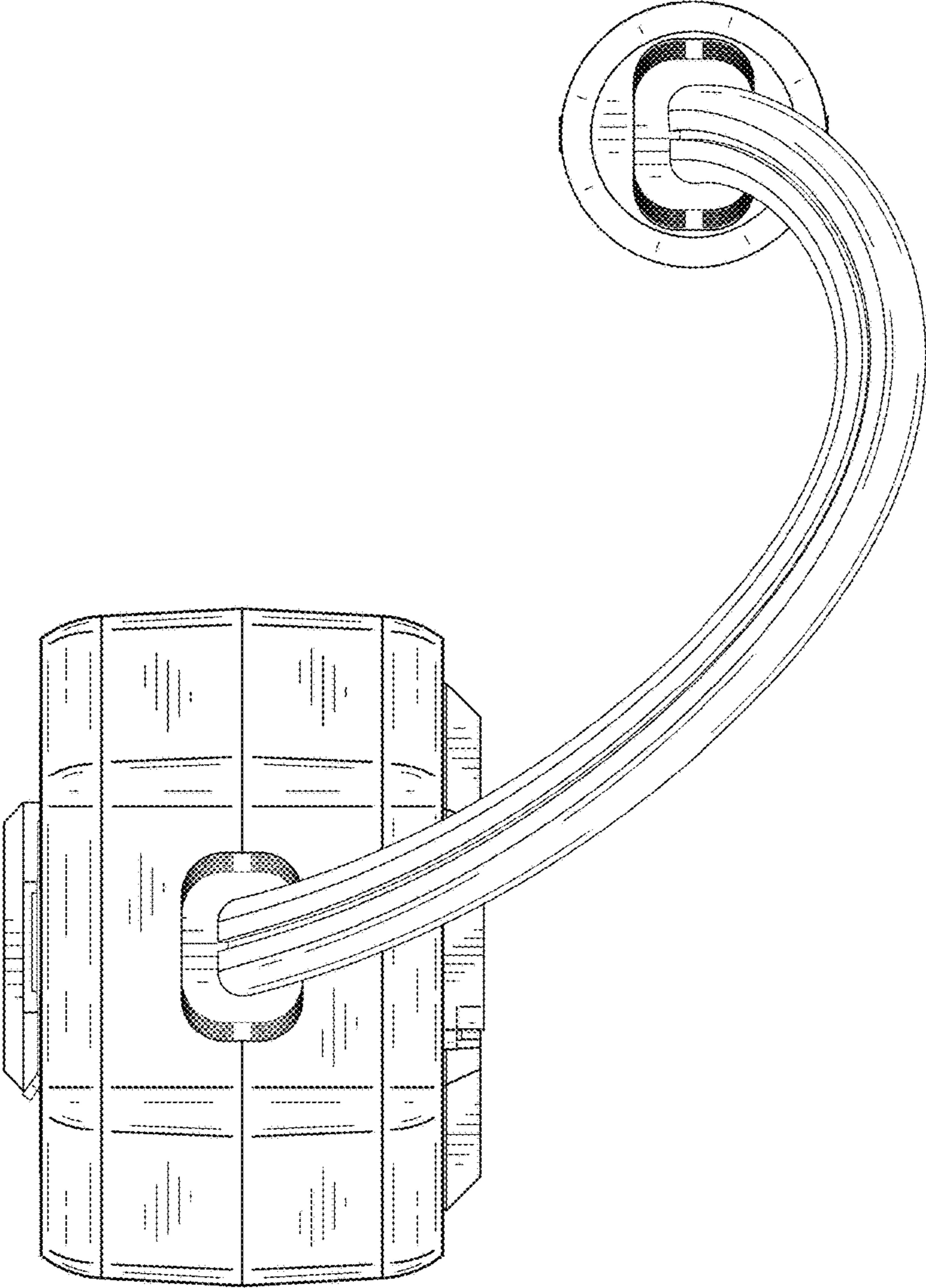


FIG. 10