



US00D823799S

(12) **United States Design Patent**
Kratzer

(10) **Patent No.:** **US D823,799 S**

(45) **Date of Patent:** **** Jul. 24, 2018**

(54) **COVER FOR POWER ADAPTOR**

(56) **References Cited**

(71) Applicant: **Ampfibian Holdings Pty Ltd,**
Woodburn NSW (AU)

U.S. PATENT DOCUMENTS

(72) Inventor: **Oliver Clemens Robert Kratzer,** Surry
Hills (AU)

D210,596 S *	3/1968	Becker	D13/110
D286,770 S *	11/1986	Melcher	D13/126
D585,852 S *	2/2009	Chen	D13/184
D615,033 S *	5/2010	Baker	D13/107
D627,725 S *	11/2010	Gebert	D13/110
D705,161 S *	5/2014	Chen	D13/110
D737,764 S *	9/2015	Janos	D13/110
D745,455 S *	12/2015	Nook	D13/103

(73) Assignee: **AMPFIBIAN HOLDINGS PTY LTD,**
Woodburn NSW (AU)

(**) Term: **15 Years**

* cited by examiner

(21) Appl. No.: **29/595,883**

Primary Examiner — Derrick Holland

(22) Filed: **Mar. 2, 2017**

(74) *Attorney, Agent, or Firm* — Brooks Kushman P.C.

(30) **Foreign Application Priority Data**

(57) **CLAIM**

Sep. 19, 2016 (AU) 201615257

The ornamental design for a cover for power adaptor, as shown and described.

(51) **LOC (11) Cl.** **13-02**

DESCRIPTION

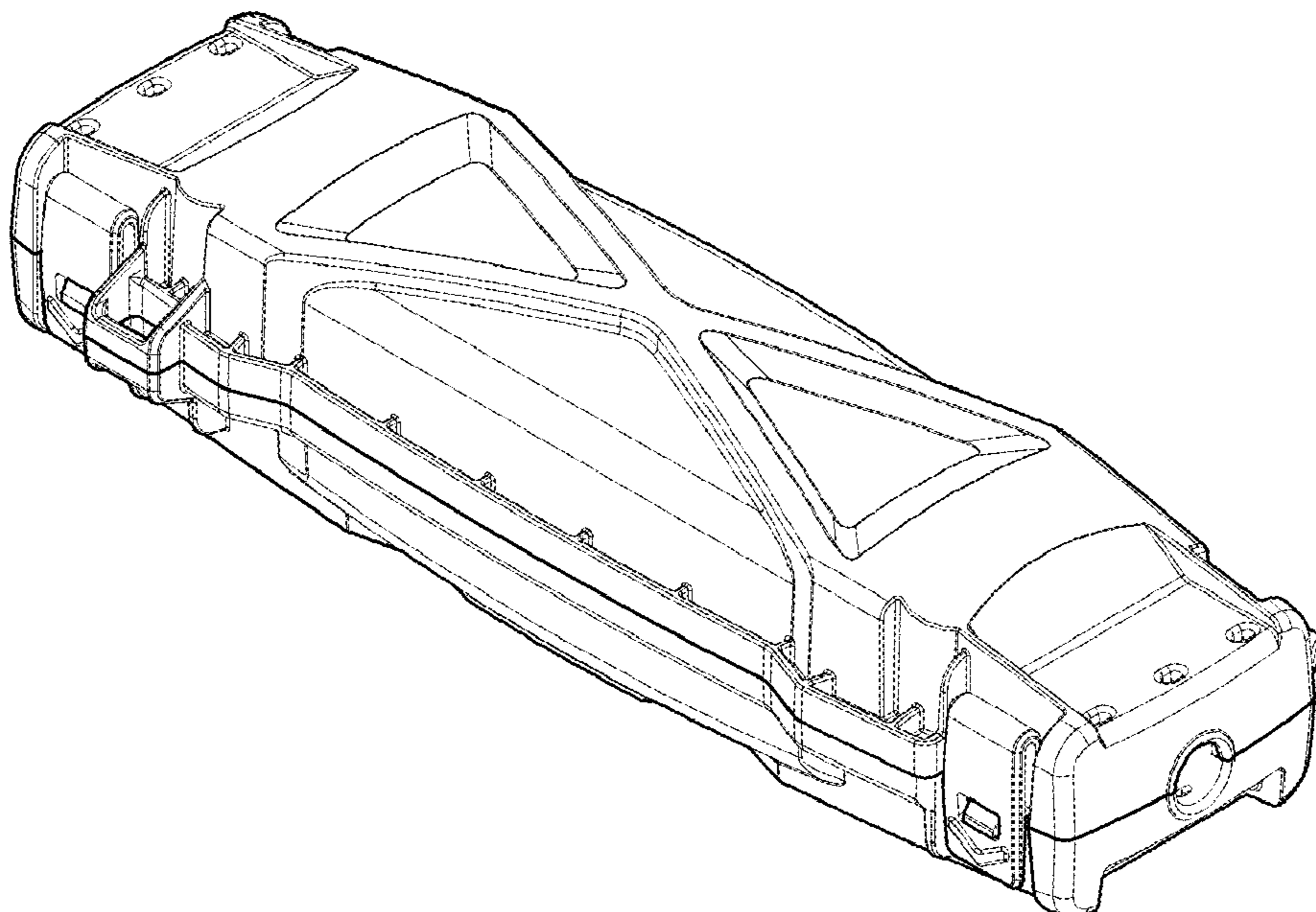
(52) **U.S. Cl.**
USPC **D13/110**

(58) **Field of Classification Search**
USPC D13/110, 108, 118, 123, 162, 168, 169,
D13/174, 177, 184, 199; D14/257, 432,
D14/438; 174/16.3, 17 R, 17.08;
361/600, 601, 690, 694, 695, 679.01,
361/679.61, 704, 730; 363/141, 142
CPC H05K 5/00; H05K 5/02; H05K 5/0247;
H05K 7/00; H05K 7/20; H05K 7/20136;
H05K 7/20154; H05K 7/209; H05K
7/1478; H02M 7/00; H02M 7/003; H02M
2001/009; H02J 7/0042; Y10T 307/367;
G05B 19/042

FIG. 1 is a perspective view of a cover for power adaptor showing my new design with the handle extended;
FIG. 2 is a second perspective view thereof, with the handle retracted;
FIG. 3 is a third perspective view thereof;
FIG. 4 is a fourth perspective view thereof;
FIG. 5 is a bottom plan view thereof;
FIG. 6 is a front elevational view thereof;
FIG. 7 is a left side elevational view thereof;
FIG. 8 is a right side elevational view thereof;
FIG. 9 is a rear side elevational view thereof; and,
FIG. 10 is a top plan view thereof.

See application file for complete search history.

1 Claim, 10 Drawing Sheets



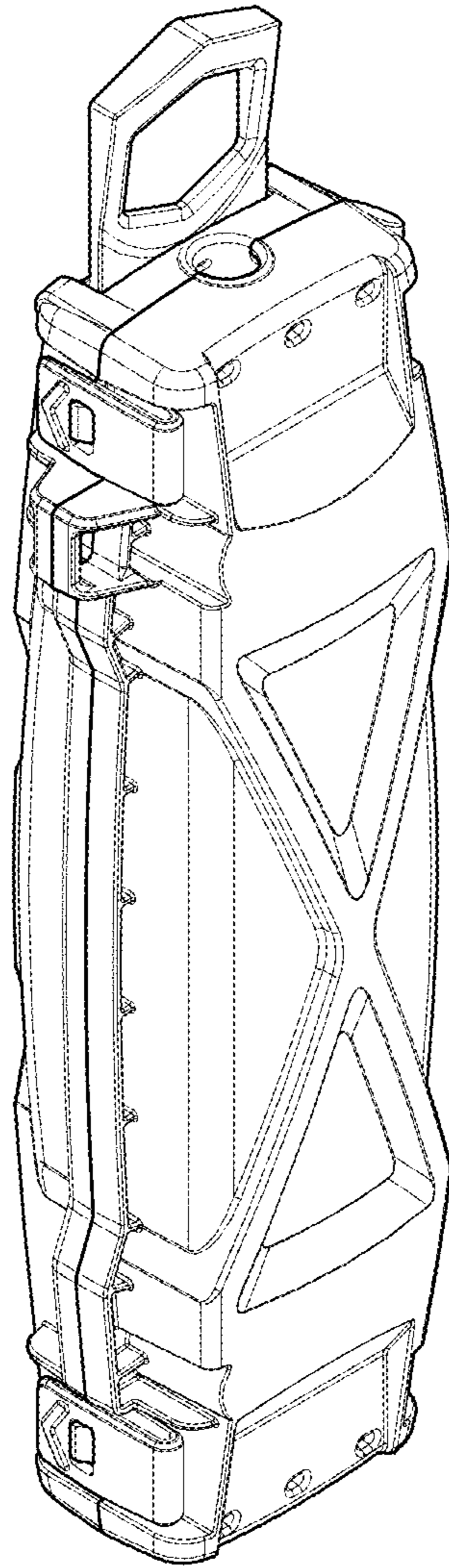


Fig. 1

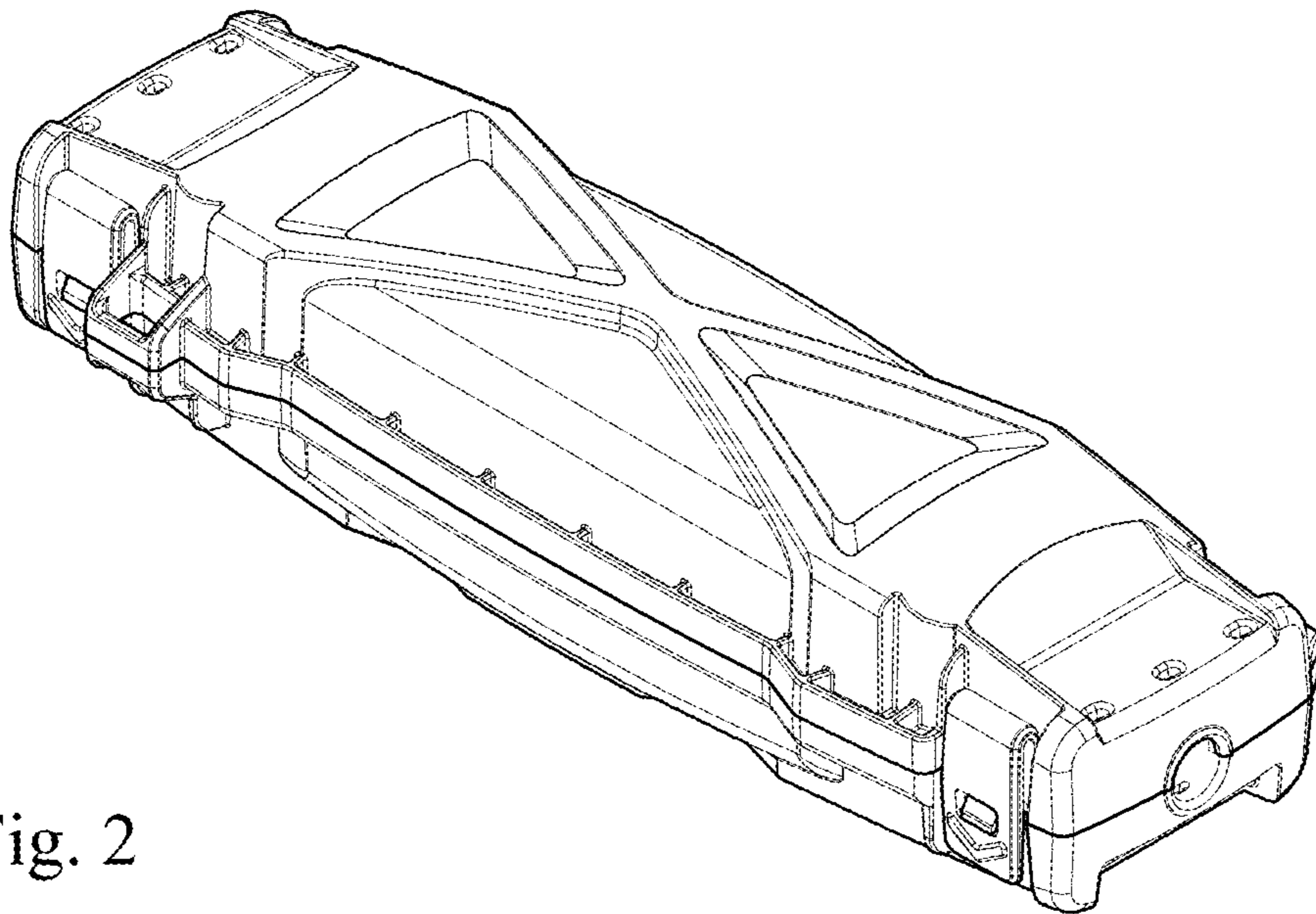


Fig. 2

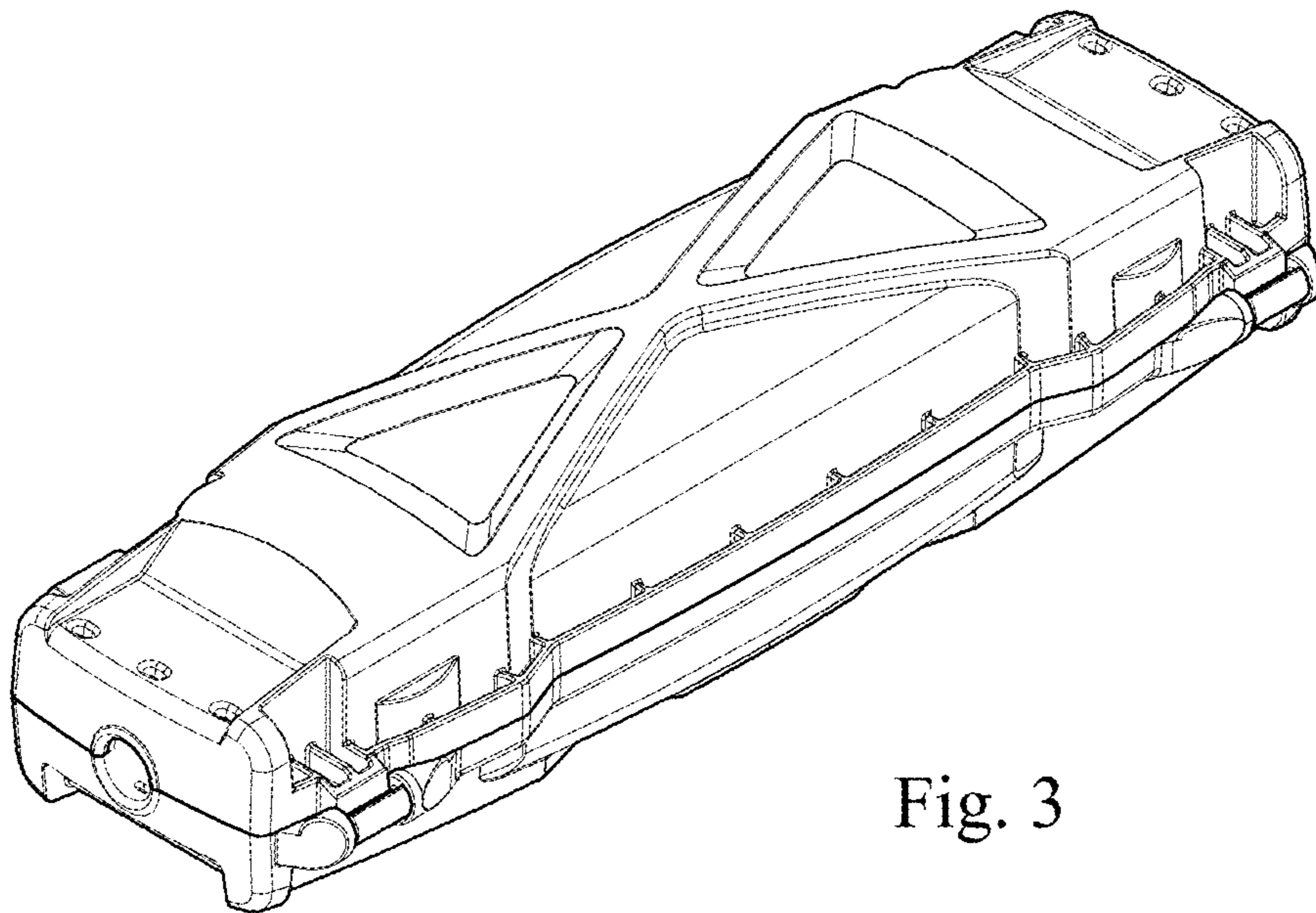


Fig. 3

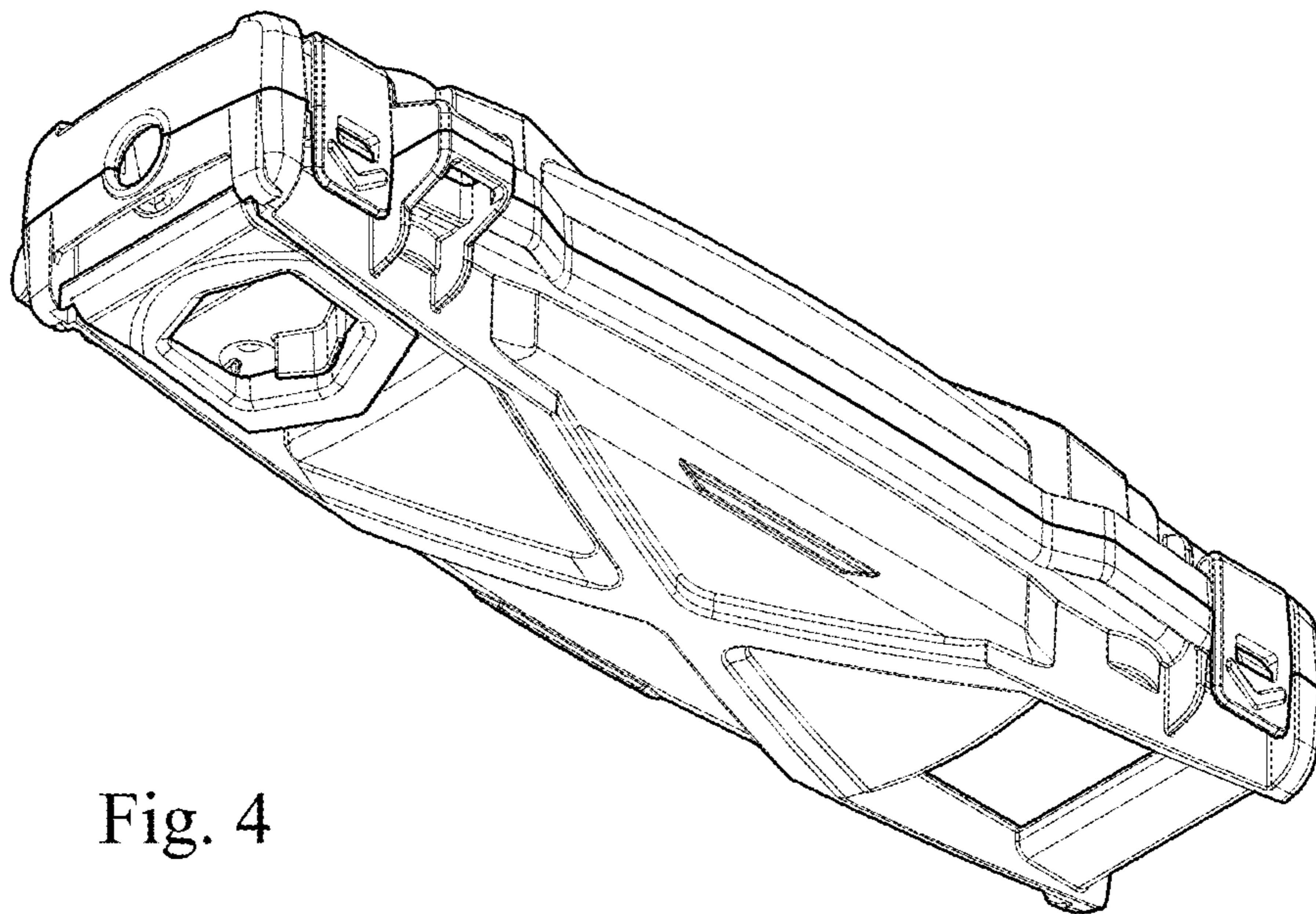


Fig. 4

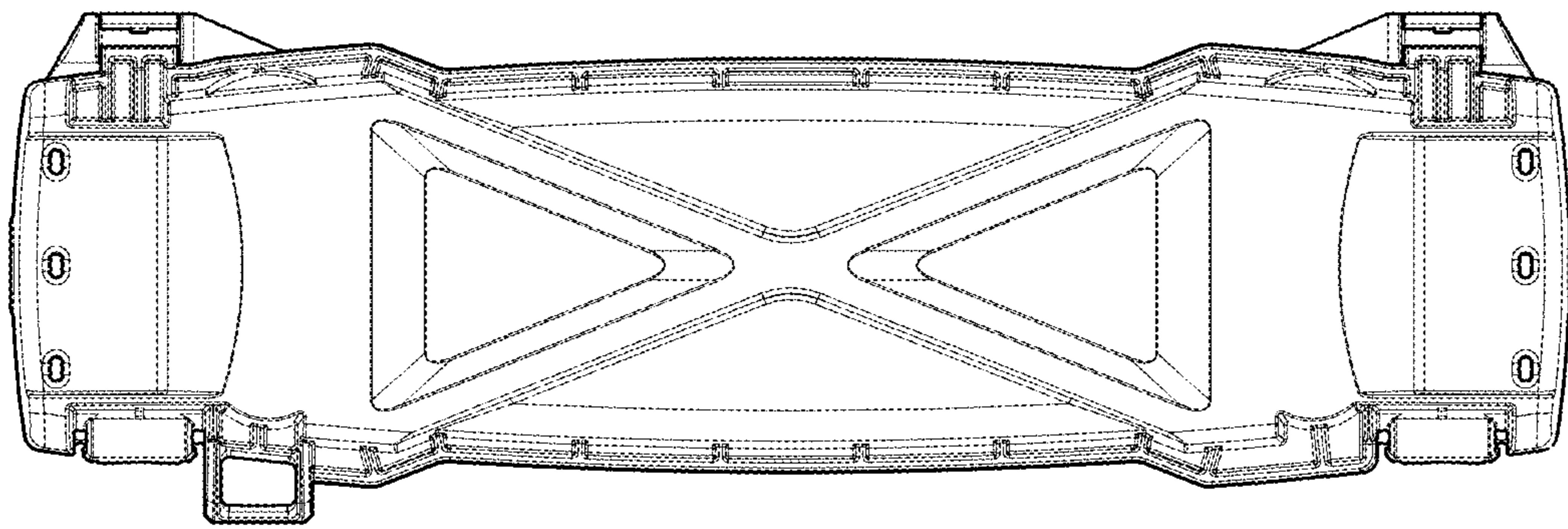


Fig. 5

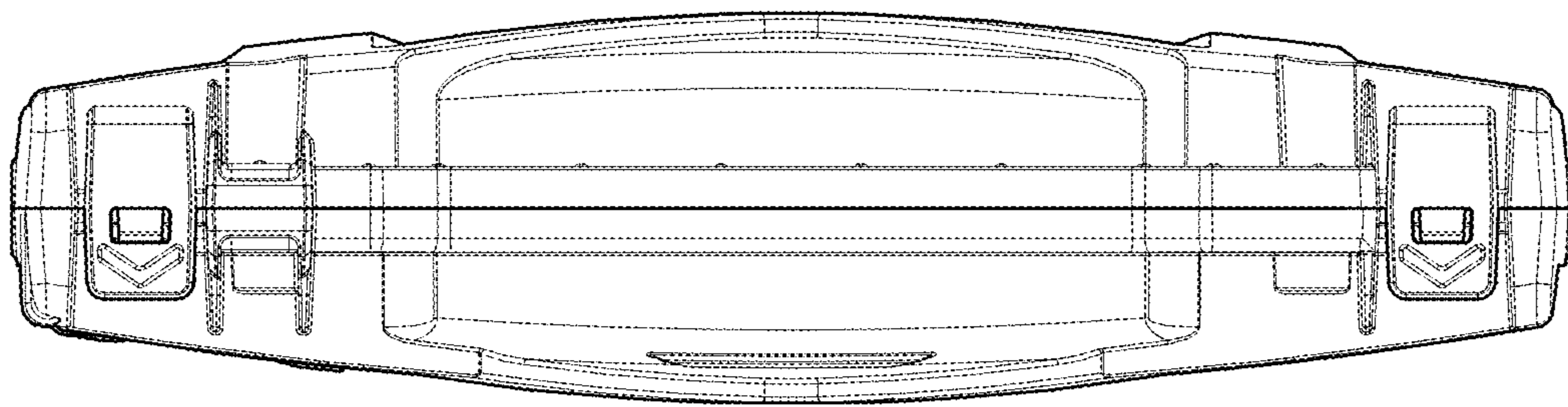


Fig. 6

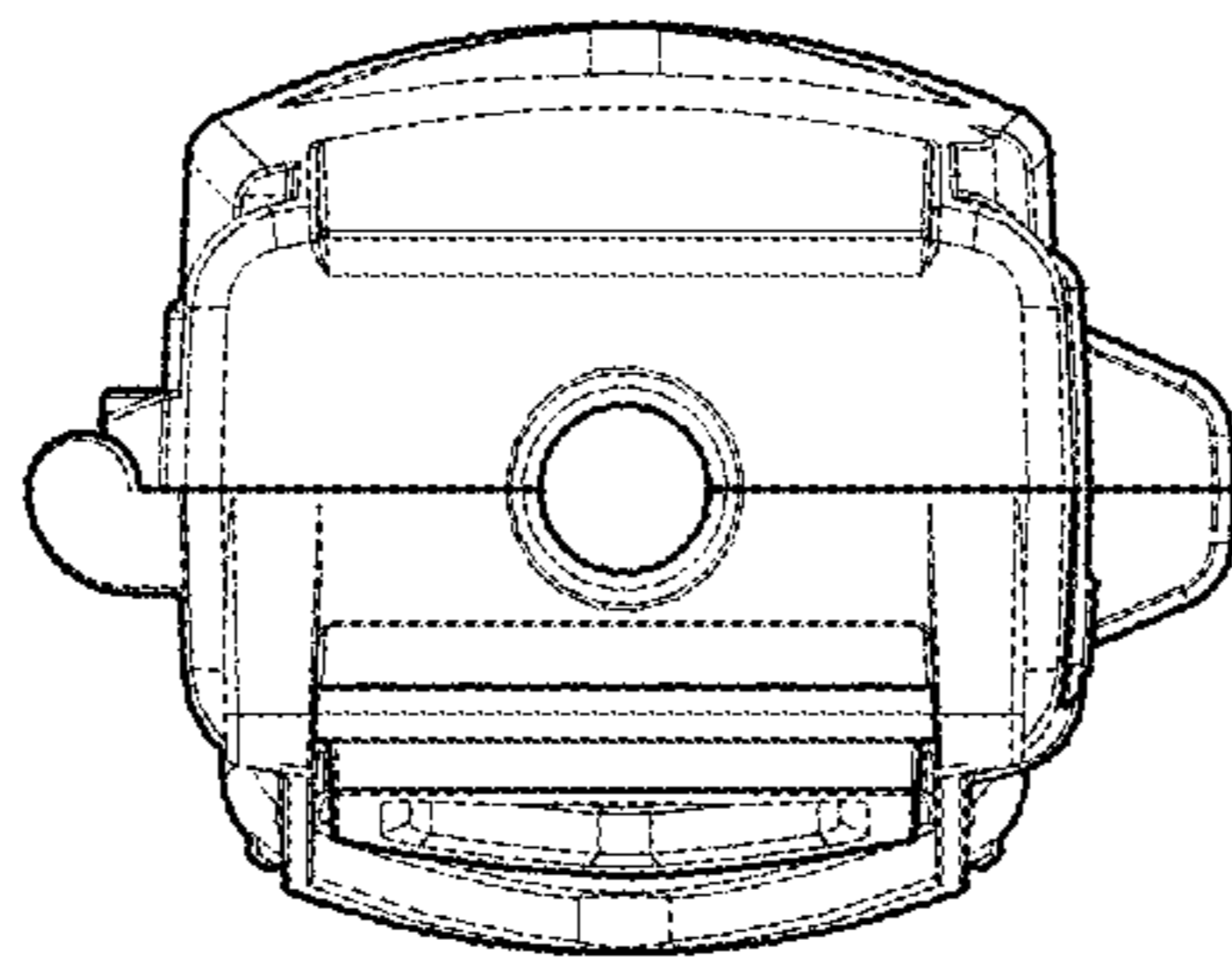


Fig. 7

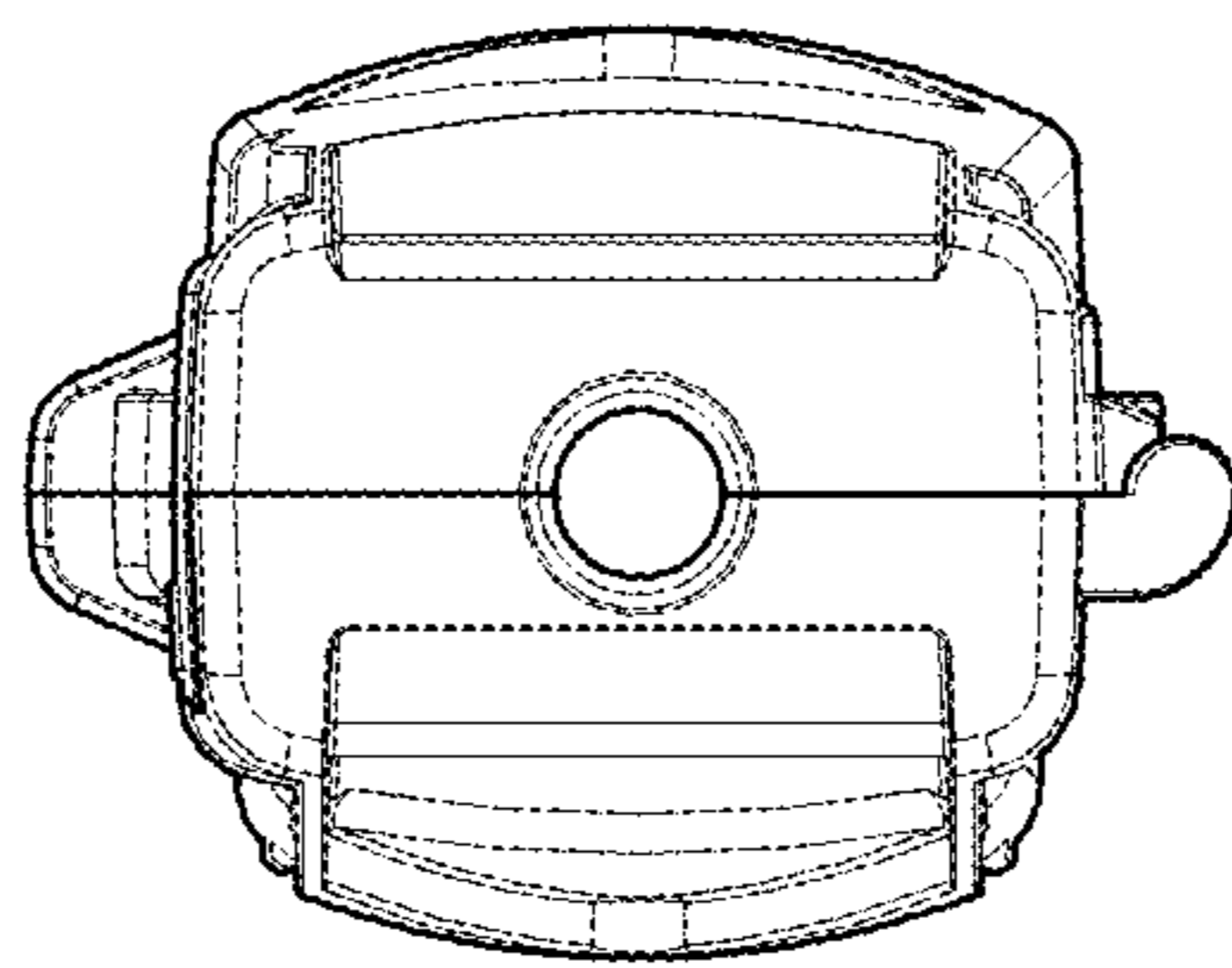


Fig. 8

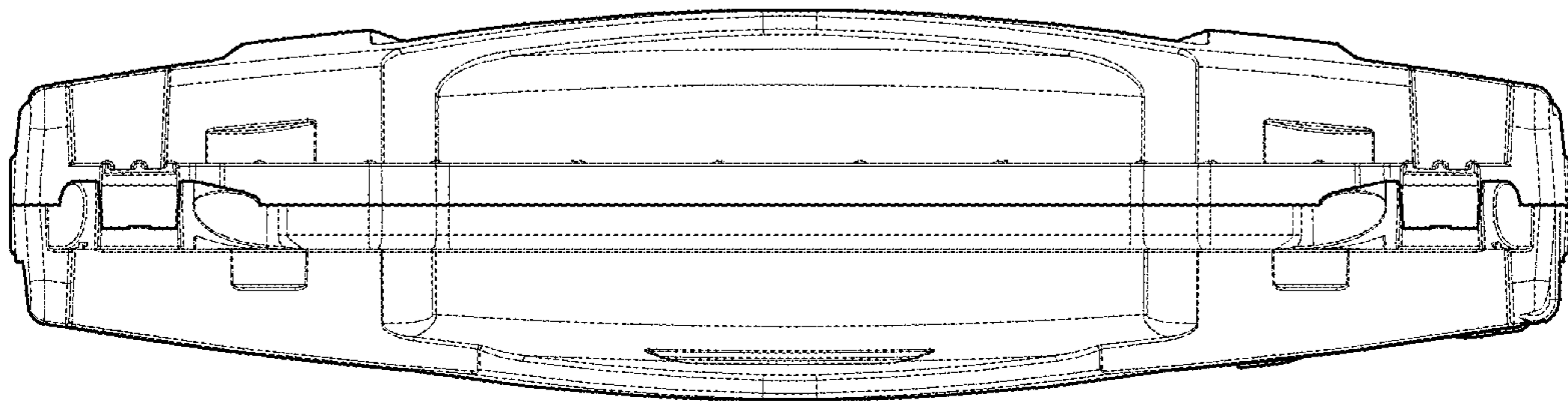


Fig. 9

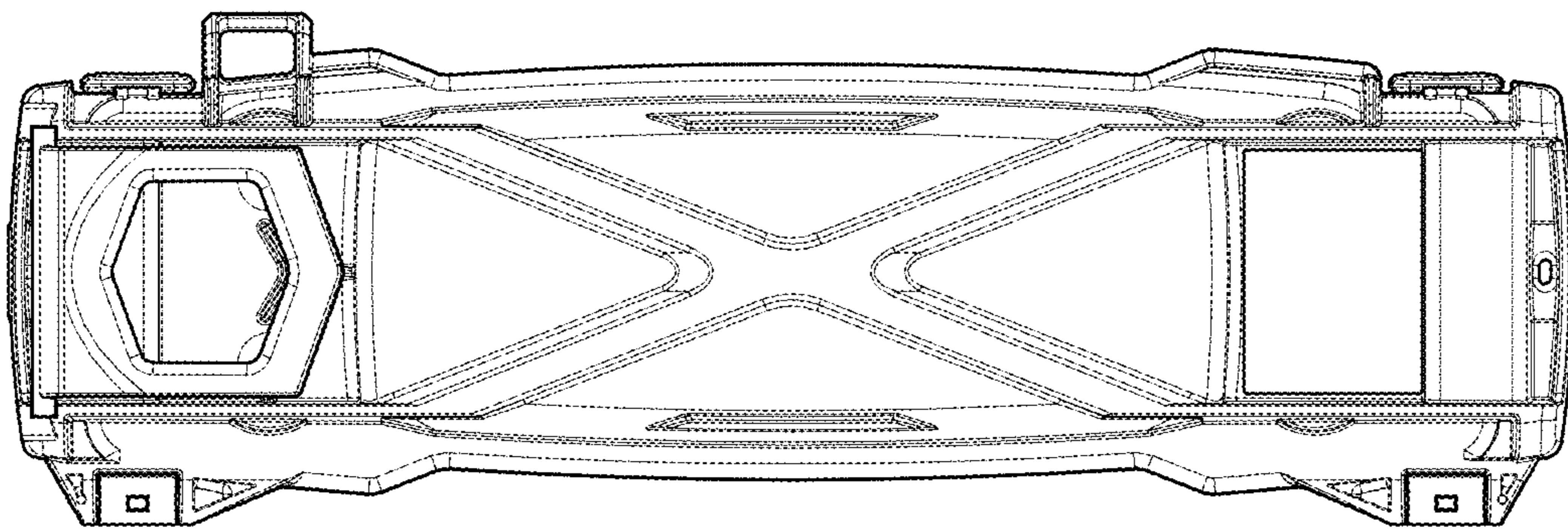


Fig. 10