



US00D823798S

(12) **United States Design Patent**  
**Gleave et al.**

(10) **Patent No.:** **US D823,798 S**

(45) **Date of Patent:** **\*\* Jul. 24, 2018**

(54) **MODULAR POWER SUPPLY CONTAINER**

(71) Applicant: **IAP Worldwide Services, Inc.**, Cape Canaveral, FL (US)

(72) Inventors: **Peter Gleave**, Dorset (GB); **Philip Robinson**, Dorset (GB)

(73) Assignee: **IAP Worldwide Services, Inc.**, Cape Canaveral, FL (US)

(\*\*) Term: **15 Years**

(21) Appl. No.: **29/583,471**

(22) Filed: **Nov. 4, 2016**

(51) **LOC (11) Cl.** ..... **13-02**

(52) **U.S. Cl.**  
USPC ..... **D13/110**; D3/272

(58) **Field of Classification Search**  
USPC ..... D3/272; D12/93-96, 99, 101-106, 180;  
D13/101, 102, 103, 107, 112, 114, 115,  
D13/116, 118, 122, 125, 133, 162.1, 184,  
D13/199, 16, 2.1; D14/188; D23/315,  
D23/356, 377; D25/35; D32/17, 68, 70,  
D32/71, 73  
CPC ..... G11B 33/128; G11B 33/126; G06F 1/26;  
H05K 7/20727; H02J 9/062  
See application file for complete search history.

(56) **References Cited**

**U.S. PATENT DOCUMENTS**

D330,089 S \* 10/1992 Bunger ..... D25/48.3  
D336,158 S \* 6/1993 Bunger ..... D3/201

D370,780 S \* 6/1996 Bunger ..... D3/272  
D378,810 S \* 4/1997 Norman, Jr. .... D12/95  
D403,153 S \* 12/1998 Martineau ..... D3/272  
D426,382 S \* 6/2000 Martineau ..... D3/272  
D543,902 S \* 6/2007 Kelly ..... D12/103  
D637,115 S \* 5/2011 Ferko, III ..... D12/101  
D689,401 S \* 9/2013 Calderon ..... D12/101  
D763,191 S \* 8/2016 Shatek ..... D13/112  
D771,275 S \* 11/2016 Yarter ..... D12/41  
2013/0063894 A1 \* 3/2013 Wang ..... H05K 7/1492  
361/692

\* cited by examiner

*Primary Examiner* — Mary Ann Calabrese

*Assistant Examiner* — Catherine Ho

(74) *Attorney, Agent, or Firm* — Greenberg Traurig, LLP

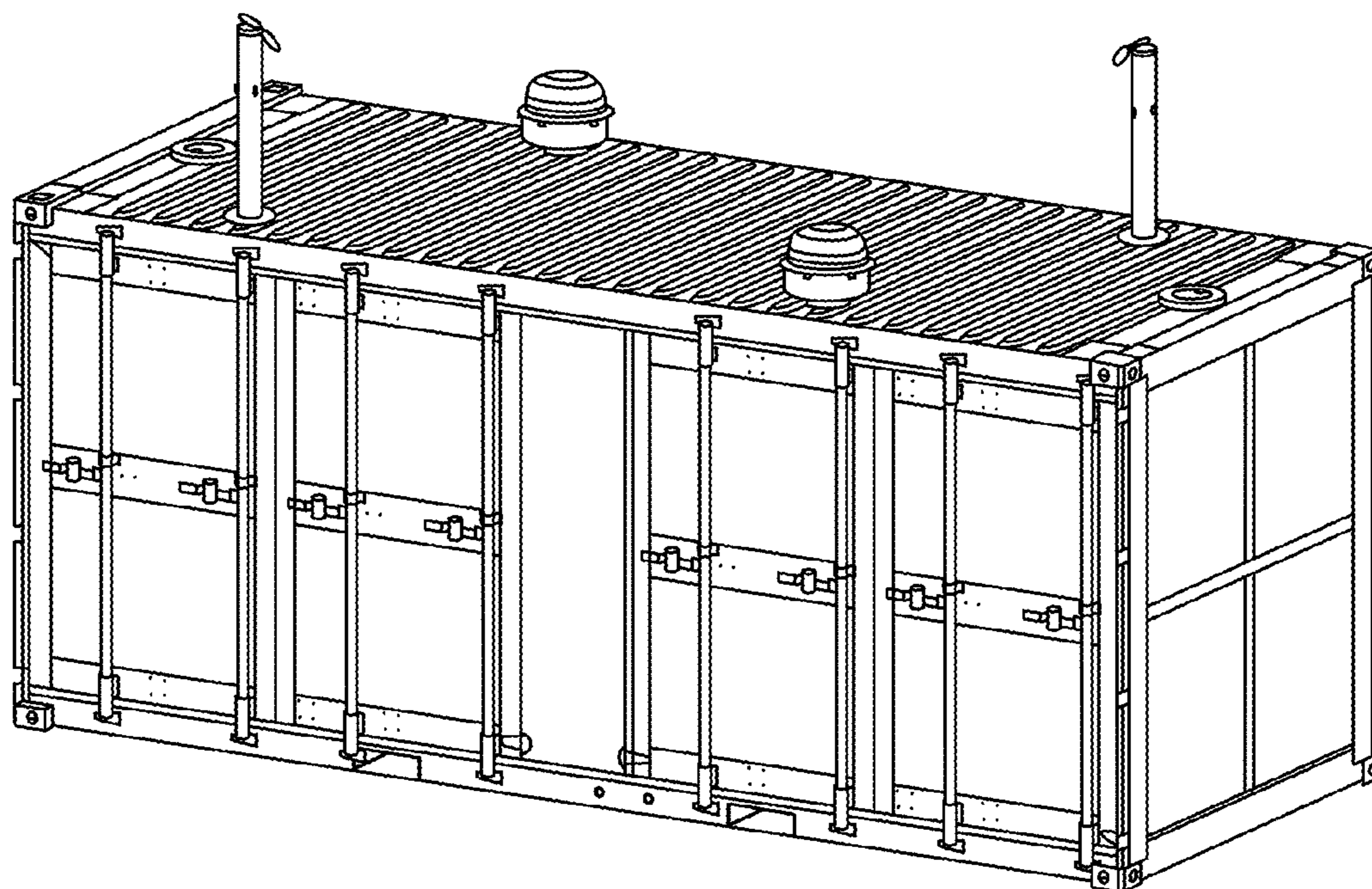
(57) **CLAIM**

We claim the ornamental design for a modular power supply container, as shown and described.

**DESCRIPTION**

FIG. 1 is a perspective view of a modular power supply container, showing our new design;  
FIG. 2 is a front view thereof, the back view being a mirror image thereof;  
FIG. 3 is a top view thereof; and,  
FIG. 4 is a side view thereof, the opposite side being a mirror image thereof.  
The broken line portion of the figure drawings is included to show portions of the article that forms no part of the claimed design.

**1 Claim, 4 Drawing Sheets**



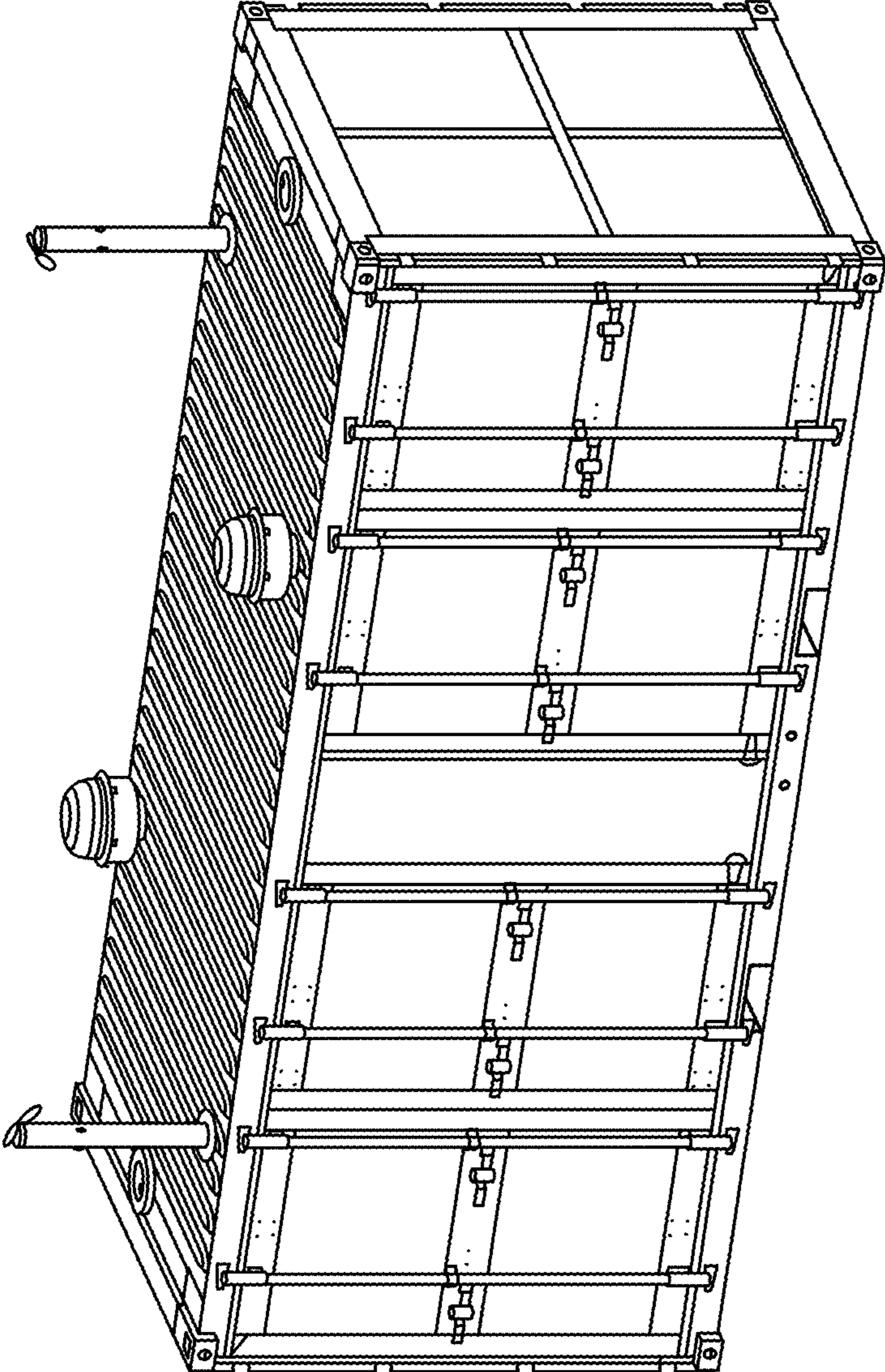


FIG.1

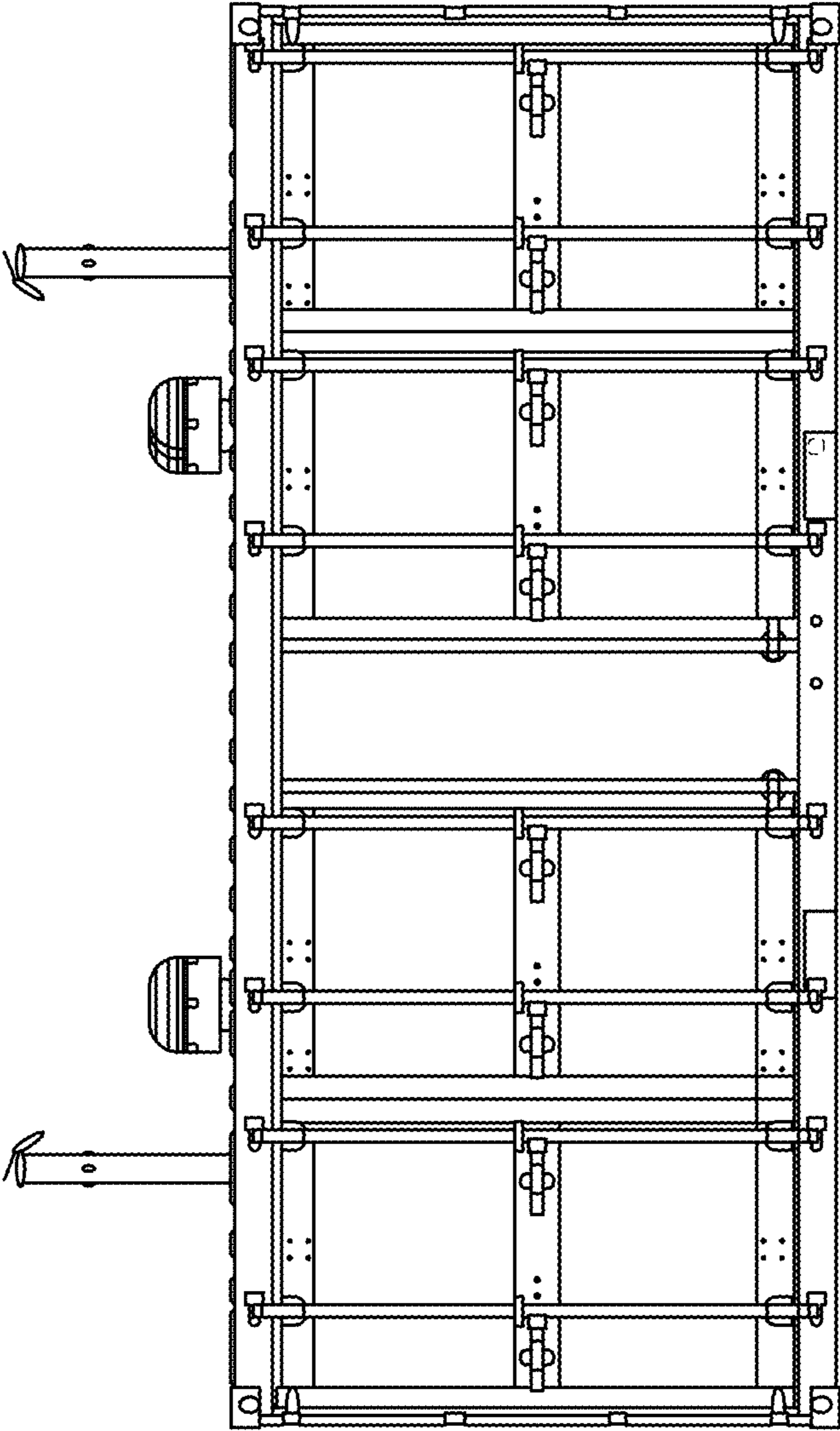


FIG.2

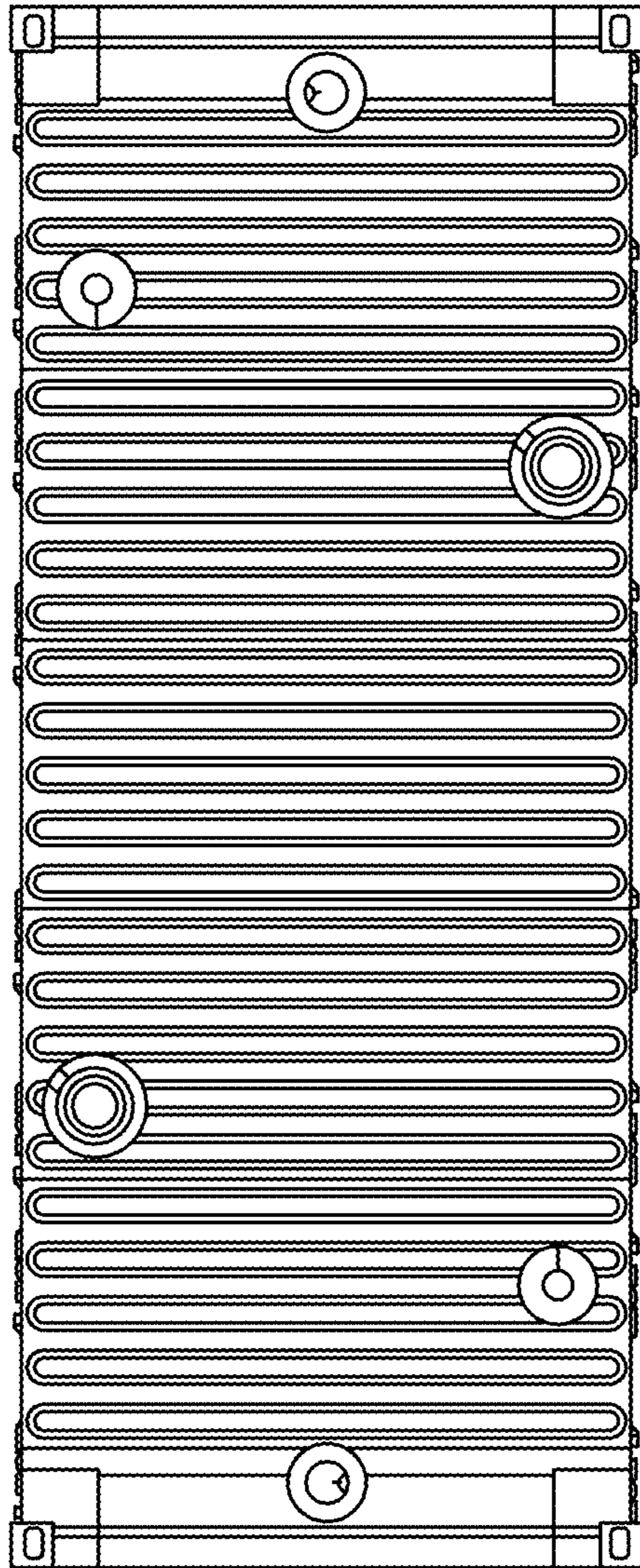


FIG.3

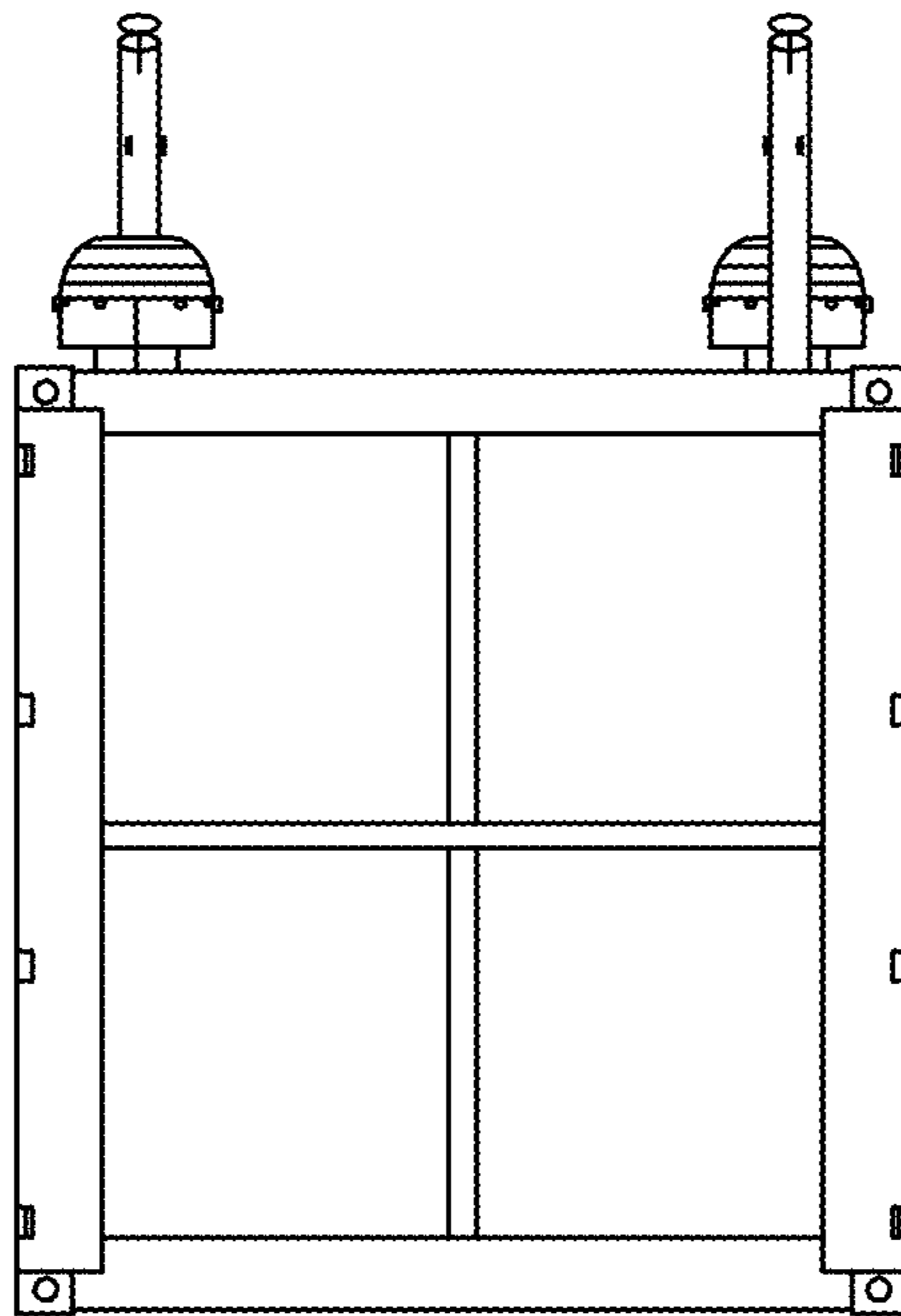


FIG.4