



US00D823797S

(12) **United States Design Patent**
Krantz et al.

(10) **Patent No.:** **US D823,797 S**
(45) **Date of Patent:** **** Jul. 24, 2018**

(54) **ENERGY STORAGE AND POWER SUPPLY DEVICE**

D630,581 S * 1/2011 Xu D13/116
D640,190 S * 6/2011 Aglassinger D13/103
8,080,972 B2 12/2011 Smith

(Continued)

(71) Applicant: **Goal Zero LLC**, Bluffdale, UT (US)

(72) Inventors: **Norman L. Krantz**, Draper, UT (US);
Henry J. Howell, Herriman, UT (US)

(73) Assignee: **GOAL ZERO LLC**, Bluffdale, UT (US)

(**) Term: **15 Years**

(21) Appl. No.: **29/572,637**

(22) Filed: **Jul. 28, 2016**

(51) **LOC (11) Cl.** **13-02**

(52) **U.S. Cl.**
USPC **D13/110**

(58) **Field of Classification Search**
USPC D3/201, 218, 219, 269, 272, 273, 274,
D3/276, 279, 281, 287, 289, 292, 318,
D3/321; D8/375; D9/418; D13/101,
D13/102, 103, 106, 107, 108, 110, 116,
D13/118, 123, 133, 134, 135, 146, 147,
D13/148, 149, 150, 151, 153, 154, 155,
D13/156, 159, 161, 173, 184, 199
CPC B64G 1/443; B64G 1/222; Y02E 10/52;
H02J 7/355; H02J 17/00; H01M 10/465;
H01M 16/006; H04M 19/08; H04M 1/04
See application file for complete search history.

(56) **References Cited**

U.S. PATENT DOCUMENTS

D491,139 S * 6/2004 Krieger D13/107
D585,822 S * 2/2009 Hsu D13/107
D597,485 S * 8/2009 Ma D13/116
D600,000 S 9/2009 Horito et al.
D609,634 S * 2/2010 Daniels D13/107
D624,876 S * 10/2010 Daniels D13/107
D629,746 S 12/2010 Workman et al.

OTHER PUBLICATIONS

Goal Zero Yeti 400, posted at Amazon.com, posted on Sep. 4, 2013, [online], [site visited Jun. 26, 2017]. Available from Internet, <<https://www.amazon.com/Goal-Zero-Portable-Station-Generator/dp/B00D5RVMAM>>.*

(Continued)

Primary Examiner — Mary Ann Calabrese

Assistant Examiner — Catherine Ho

(74) *Attorney, Agent, or Firm* — Foley & Lardner LLP

(57) **CLAIM**

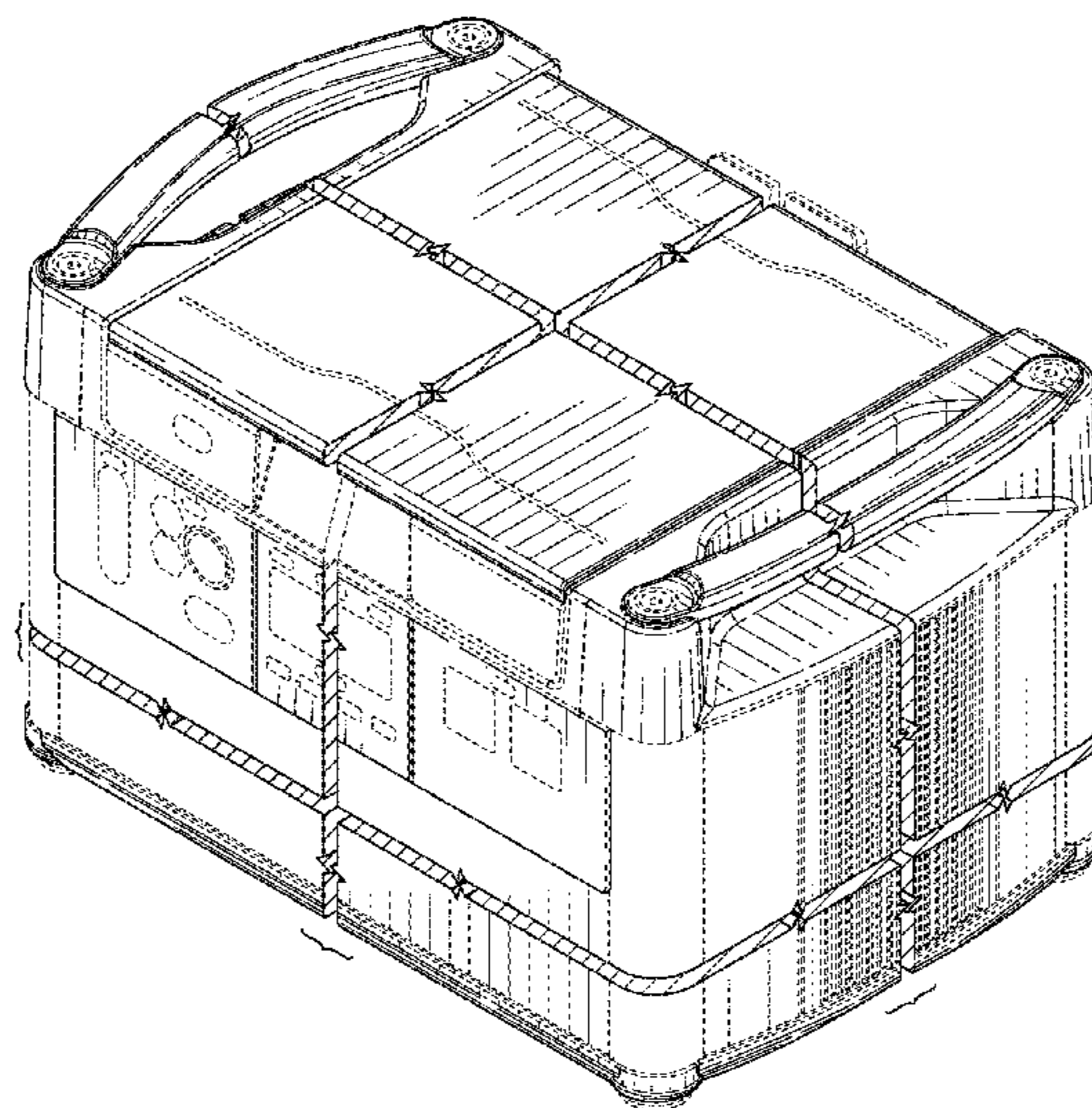
We claim the ornamental design for an energy storage and power supply device, as shown and described.

DESCRIPTION

FIG. 1 is a front perspective view of an energy storage and power supply device, showing our new design;
FIG. 2 is a front view thereof;
FIG. 3 is a rear view thereof;
FIG. 4 is a left side view thereof;
FIG. 5 is a right side view thereof;
FIG. 6 is a top view thereof; and,
FIG. 7 is a bottom view thereof.

All broken line portions of the figure drawings is included to show portions of the article that form no part of the claimed design. The dot-dash broken lines are boundary lines which define the edge of the claimed design. It is understood that the boundary lines form no part of the claimed design. The energy storage and power supply device is shown with symbolic breaks in its height and width, represented by jagged lines. The appearance of any portion of the article between the jagged lines forms no part of the claimed design.

1 Claim, 7 Drawing Sheets



(56)

References Cited

U.S. PATENT DOCUMENTS

D664,499 S 7/2012 Workman et al.
D670,244 S 11/2012 Workman et al.
D693,294 S * 11/2013 Inskeep D13/107
D695,680 S 12/2013 Workman et al.
D711,319 S * 8/2014 Wilcox D13/116
9,312,706 B2 4/2016 Workman et al.
9,362,766 B2 6/2016 Workman et al.
9,385,351 B2 7/2016 Workman et al.
2013/0043826 A1 2/2013 Workman et al.

OTHER PUBLICATIONS

U.S. Appl. No. 29/498,046, filed Jul. 30, 2014, Krantz et al.
U.S. Appl. No. 29/572,637, filed Jul. 28, 2016, Goal Zero LLC.
U.S. Appl. No. 61/058,109, filed Jun. 2, 2008, Smith, David S.
U.S. Appl. No. 61/308,712, filed Feb. 26, 2010, Goal Zero LLC.
U.S. Appl. No. 61/349,735, filed May 28, 2010, Goal Zero LLC.
U.S. Appl. No. 61/483,515, filed May 6, 2011, Workman et al.
U.S. Appl. No. 61/584,005, filed Jan. 6, 2012, Workman et al.
U.S. Appl. No. 61/707,711, filed Sep. 28, 2012, Workman et al.

* cited by examiner

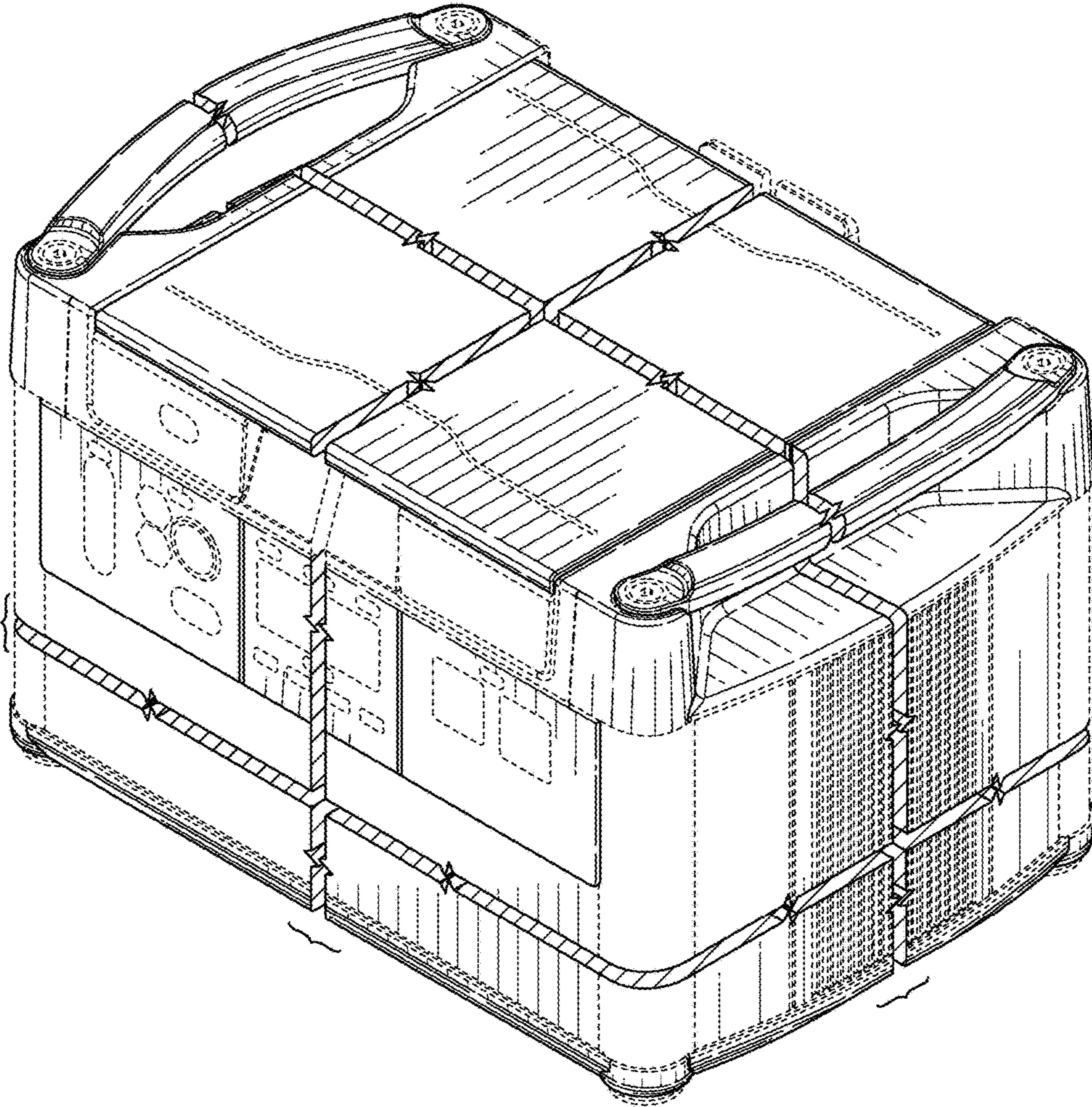


FIG. 1

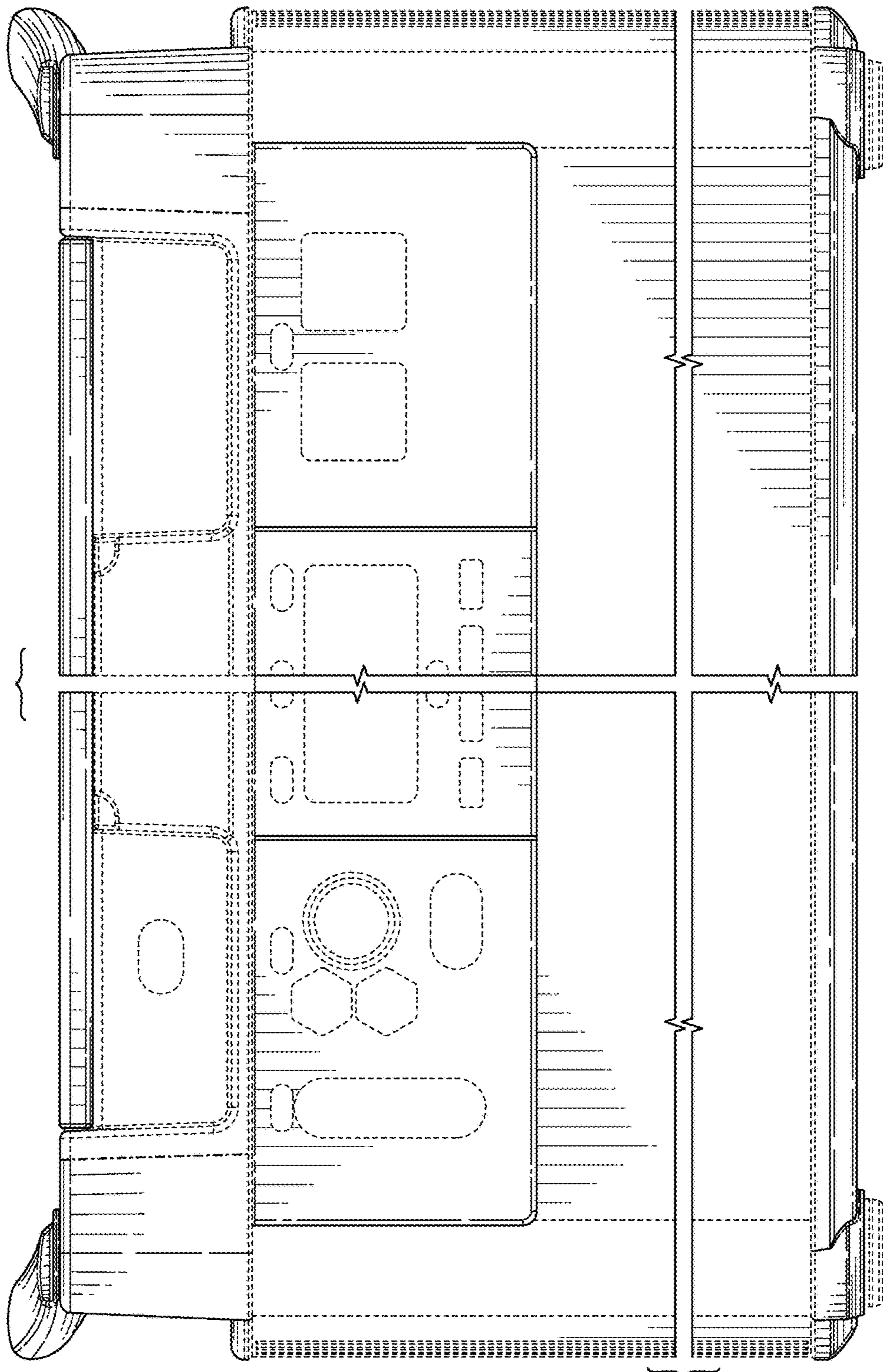


FIG. 2

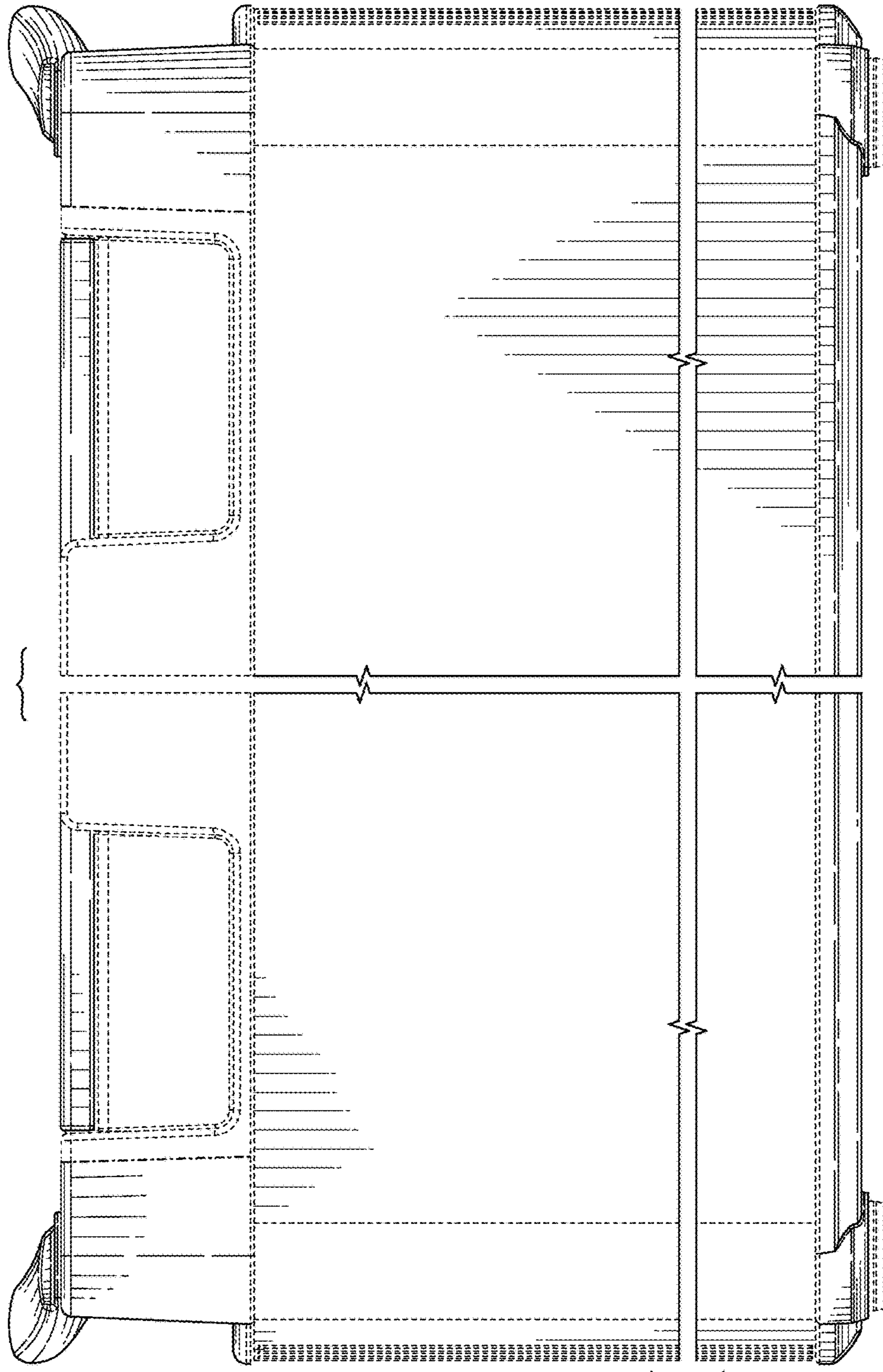


FIG. 3

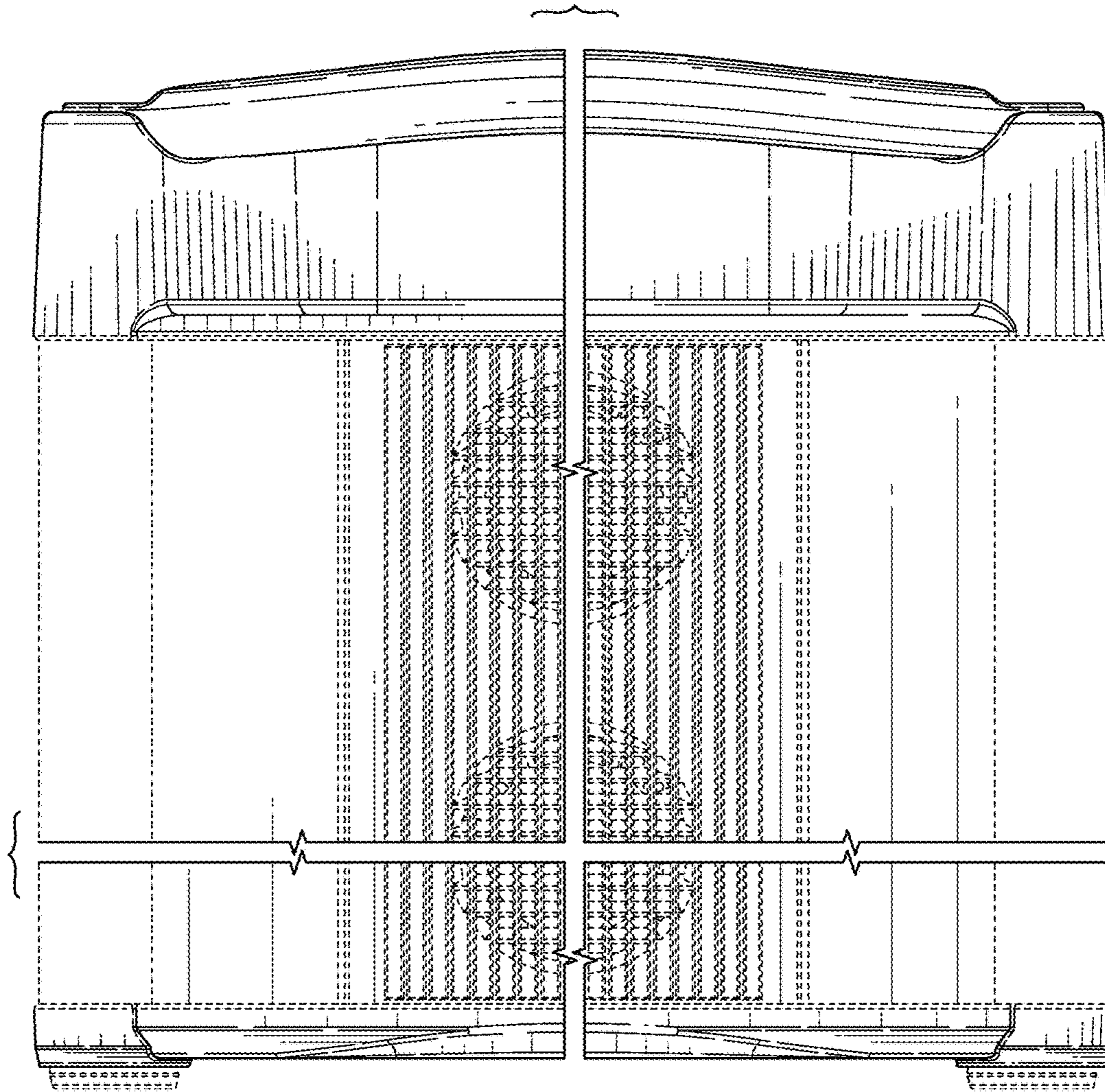


FIG. 4

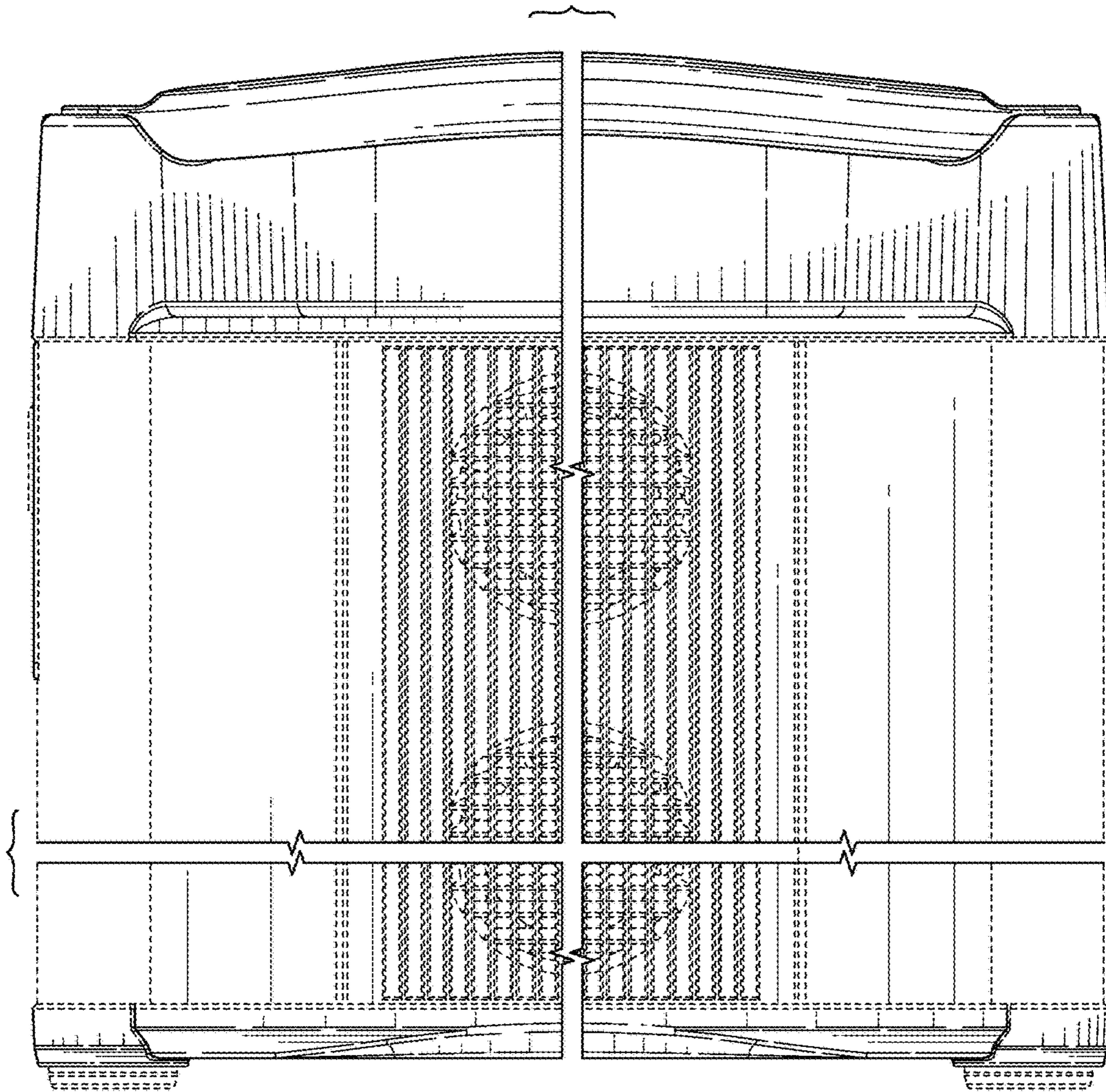


FIG. 5

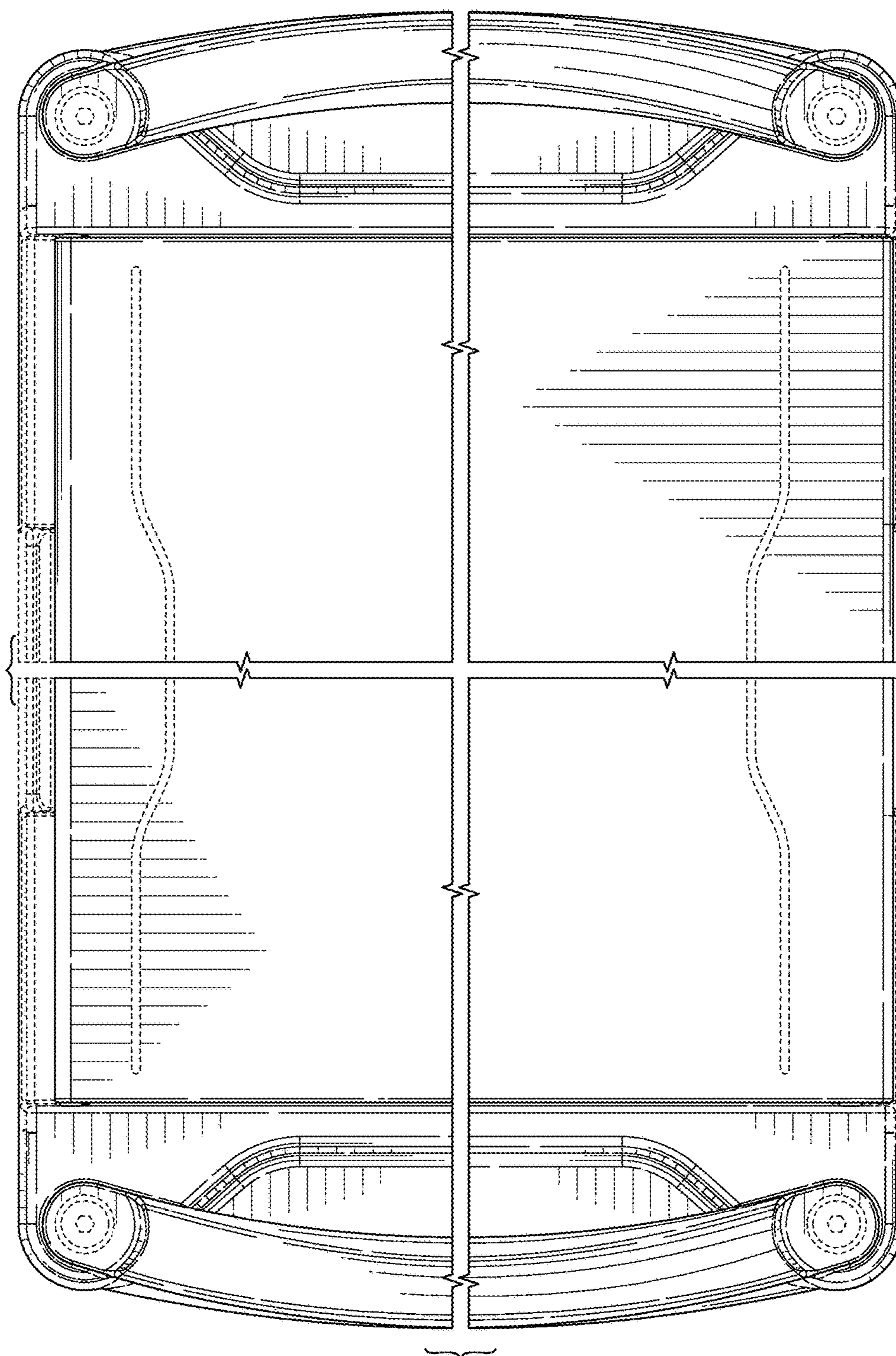


FIG. 6

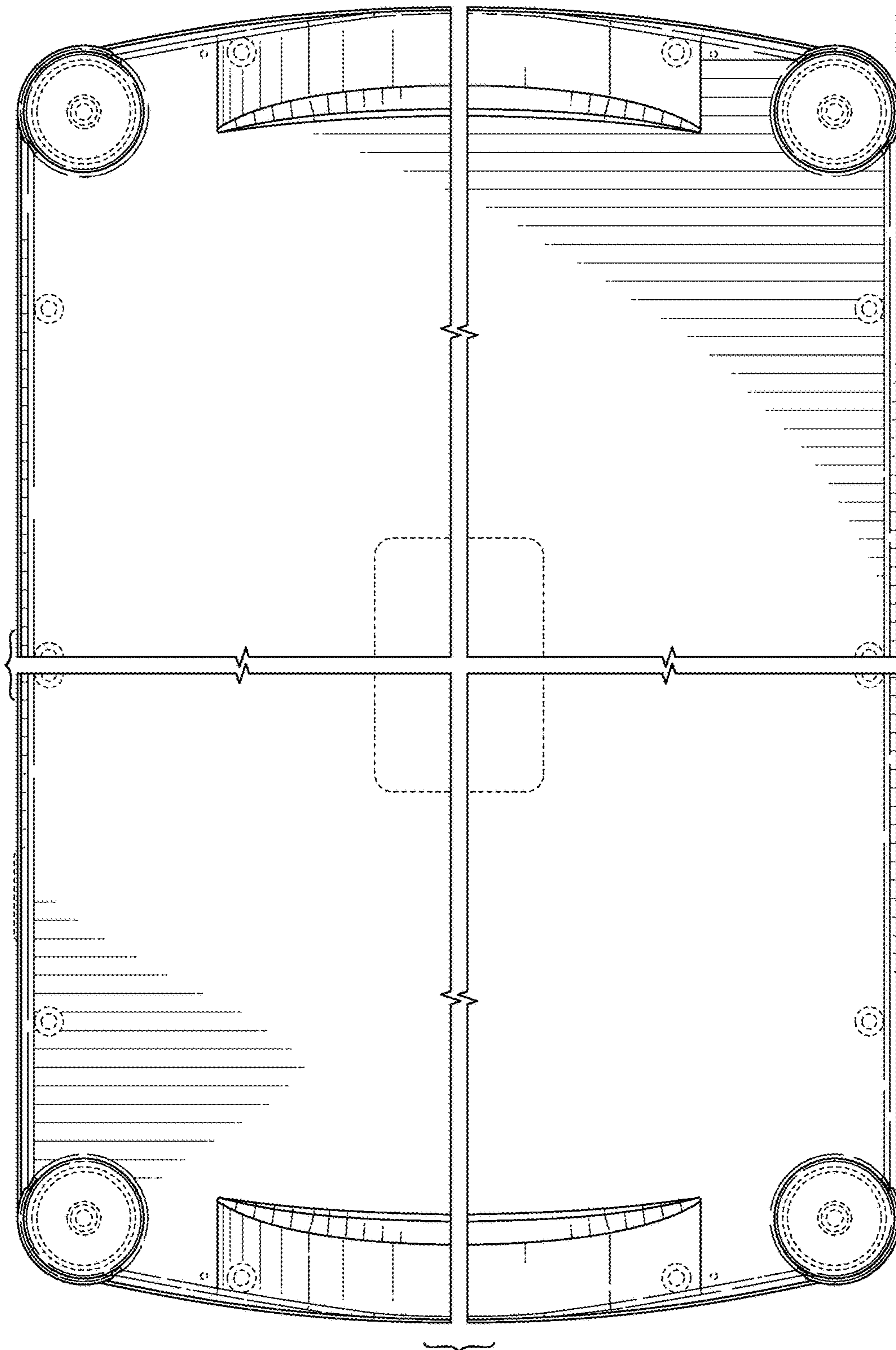


FIG. 7