



US00D823796S

(12) **United States Design Patent**
Zhang

(10) **Patent No.:** **US D823,796 S**

(45) **Date of Patent:** **** Jul. 24, 2018**

(54) **MULTI USB CHARGING STATION**

(71) Applicant: **Shenzhen You & Me Electronic Co., Ltd.**, Shenzhen (CN)

(72) Inventor: **Fei Zhang**, Shenzhen (CN)

(**) Term: **15 Years**

(21) Appl. No.: **29/595,366**

(22) Filed: **Feb. 28, 2017**

(51) **LOC (11) Cl.** **13-02**

(52) **U.S. Cl.**
USPC **D13/108**

(58) **Field of Classification Search**
USPC D13/107–110, 118–119, 184; D14/251, D14/253, 432, 434
CPC Y02E 60/12; Y02T 90/14; Y02T 90/122; Y02T 90/128; Y02T 90/163; H02J 7/025; H02J 7/0042; H02J 7/0044; H02J 7/0045; H02J 7/0003; H01F 38/14; H01R 13/6675; H01M 2/1022; H01M 2/1055; H01M 10/44; H01M 10/46; H01M 10/425; B60L 11/182
See application file for complete search history.

(56) **References Cited**

U.S. PATENT DOCUMENTS

- 4,004,501 A * 1/1977 Guerrero A21C 15/02 220/23.8
- D246,491 S * 11/1977 D'Alo D6/682.4
- 4,684,027 A * 8/1987 Wright G11B 23/027 211/40
- D433,251 S * 11/2000 Blazeovich D6/629

- D499,607 S * 12/2004 Lyon D7/504
- D552,378 S * 10/2007 Hussaini D6/682
- D554,929 S * 11/2007 Jajdelski D6/407
- D642,124 S * 7/2011 Budike, Jr. D13/108
- D660,650 S * 5/2012 Moore D7/553.2
- D669,430 S * 10/2012 Budike D13/108
- D720,166 S * 12/2014 Trindall D6/683.1
- D761,729 S * 7/2016 Leong D13/108
- D778,829 S * 2/2017 Marmus D13/108

* cited by examiner

Primary Examiner — Rosemary K Tarcza

Assistant Examiner — Nathaniel D. Buckner

(74) *Attorney, Agent, or Firm* — Prakash Nama; Global IP Services, PLLC

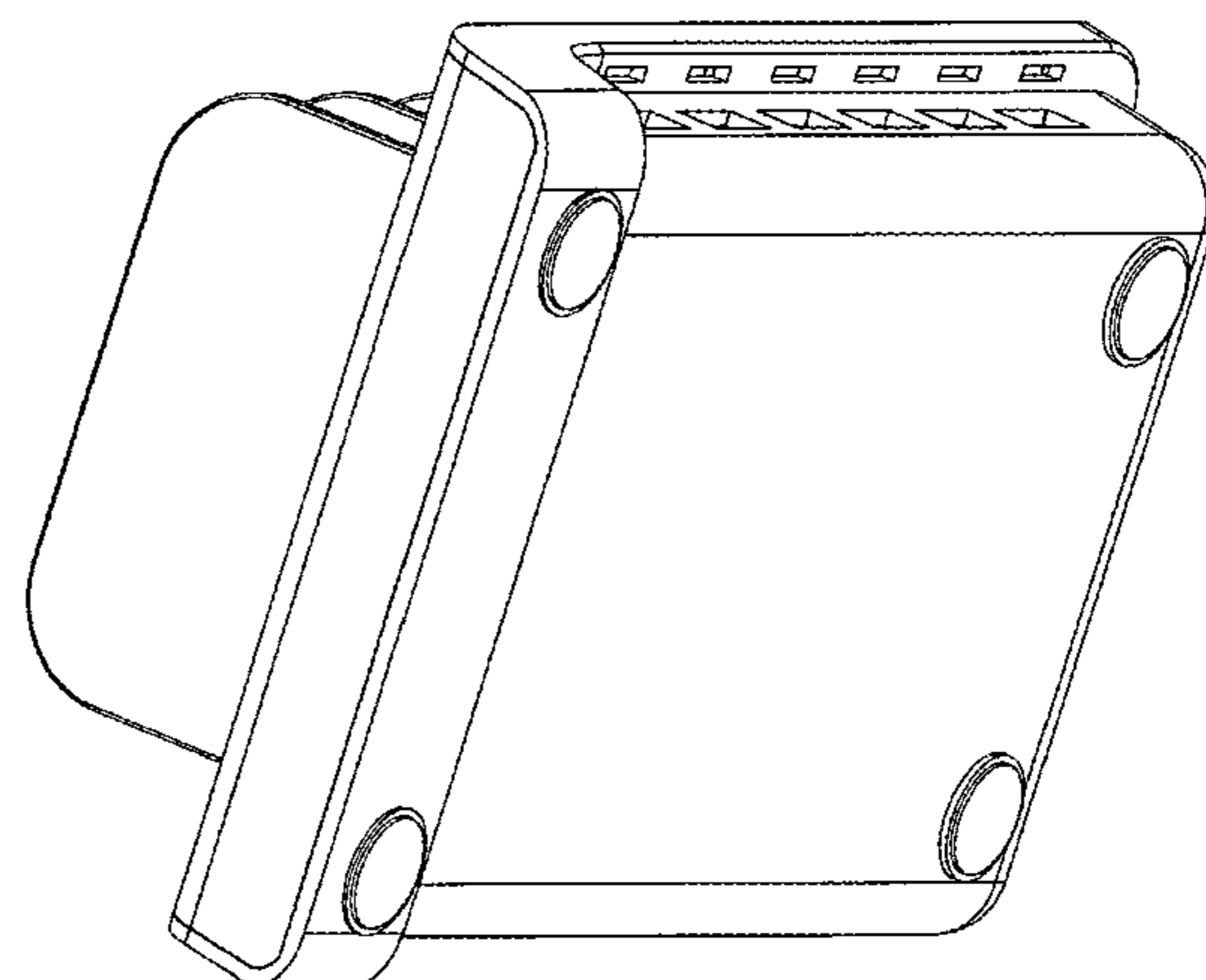
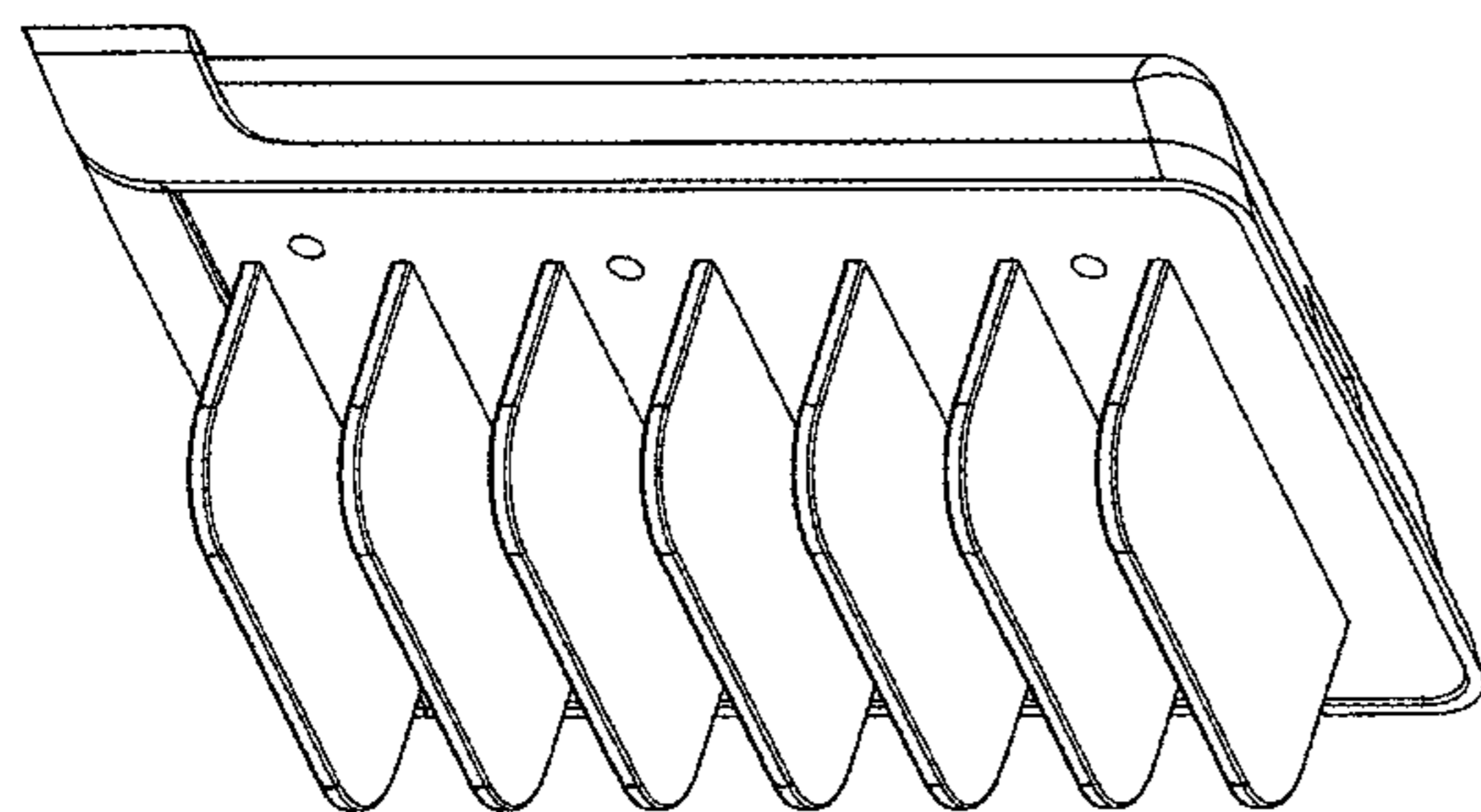
(57) **CLAIM**

The ornamental design for a multi USB charging station, as shown and described.

DESCRIPTION

FIG. 1 is a top plan view of a multi USB charging station showing my new design;
 FIG. 2 is a bottom plan view thereof;
 FIG. 3 is a left elevation view thereof;
 FIG. 4 is a right elevation view thereof;
 FIG. 5 is a rear elevation view thereof;
 FIG. 6 is a front elevation view thereof;
 FIG. 7 is a top rear perspective view thereof;
 FIG. 8 is a bottom left perspective view thereof; and,
 FIG. 9 is a bottom right perspective view thereof.
 The broken lines in the drawings are for the purpose of illustrating unclaimed portions of the battery charger and form no part of the claimed design.

1 Claim, 5 Drawing Sheets



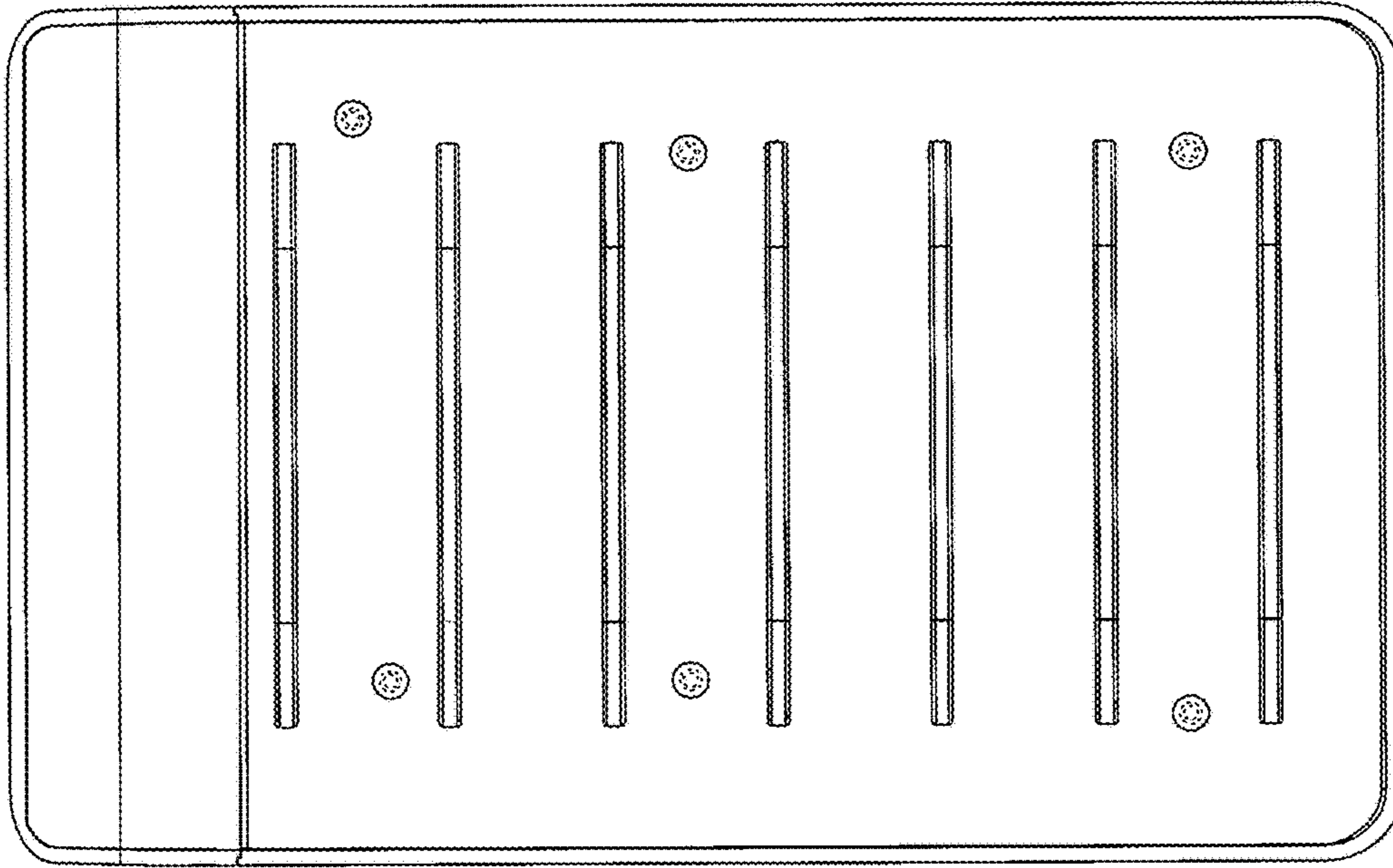


FIG. 1

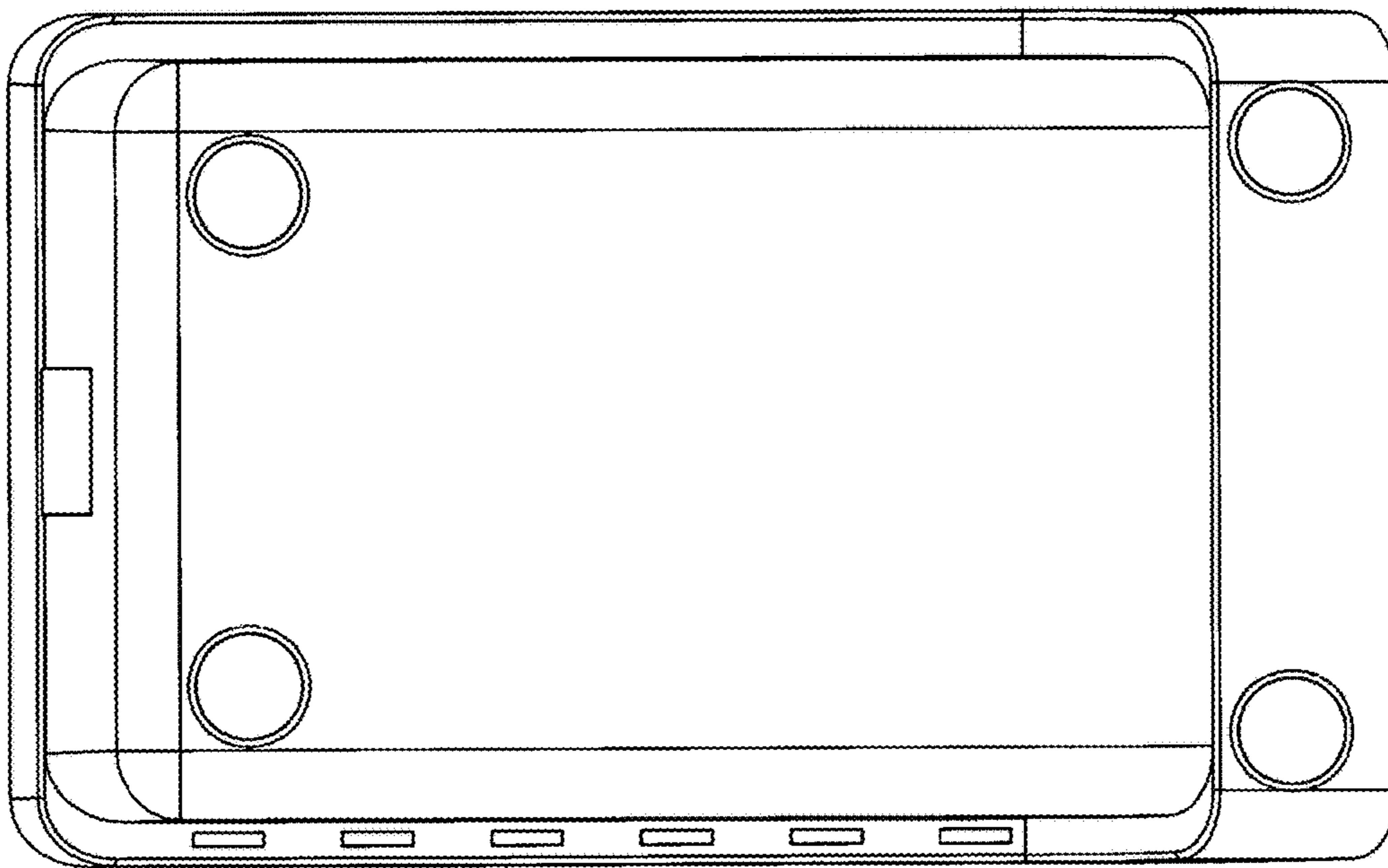


FIG. 2

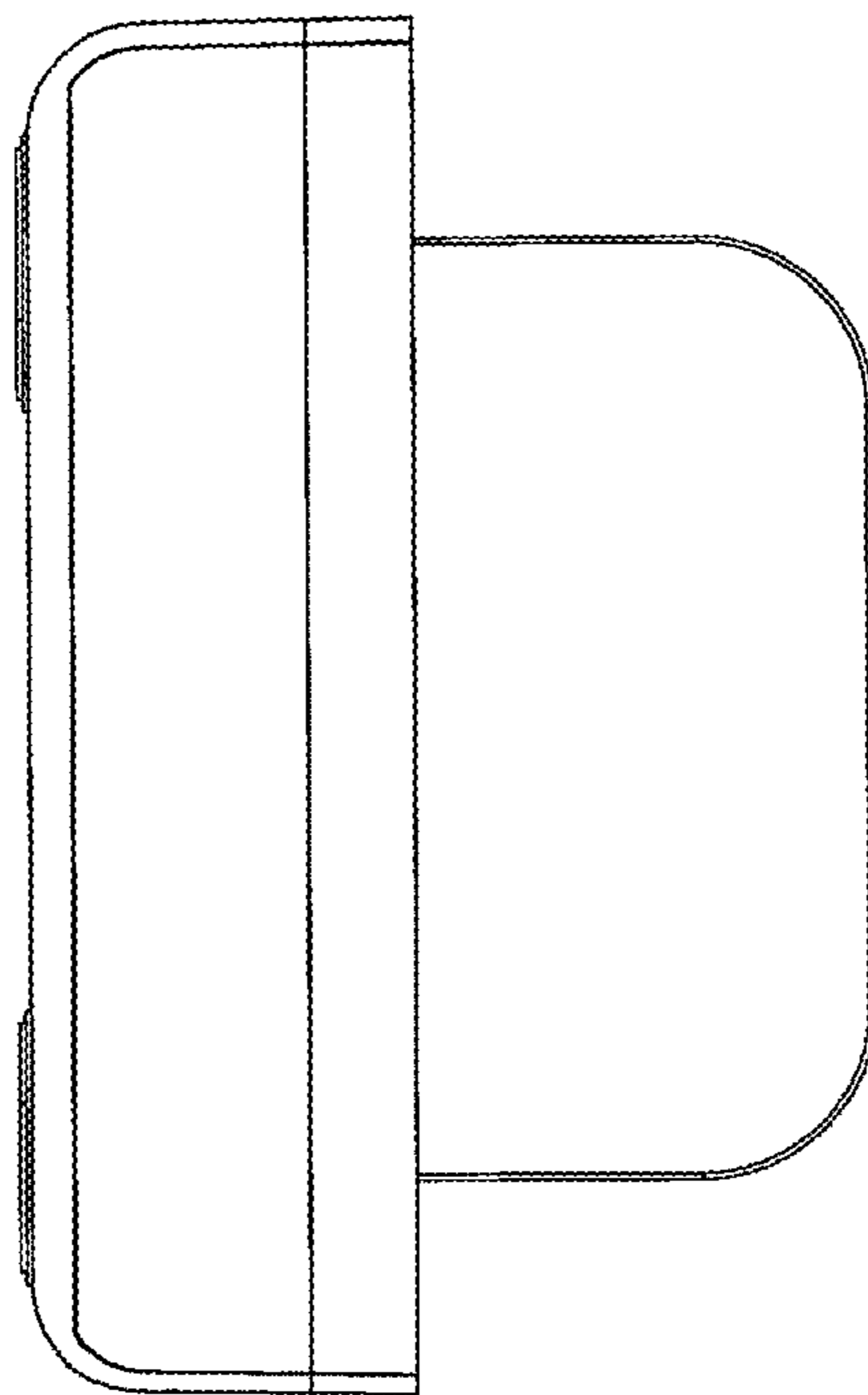


FIG. 3

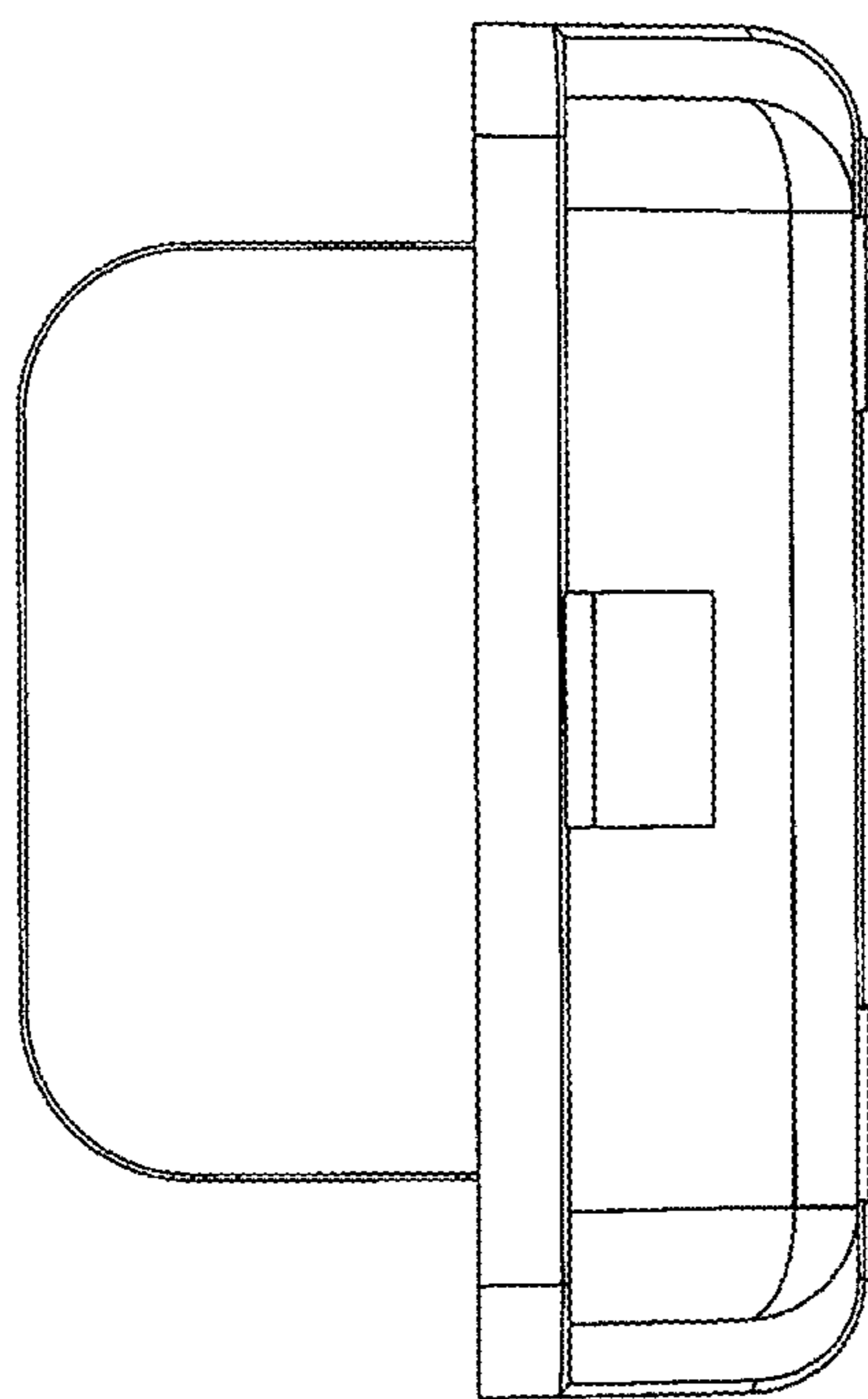


FIG. 4

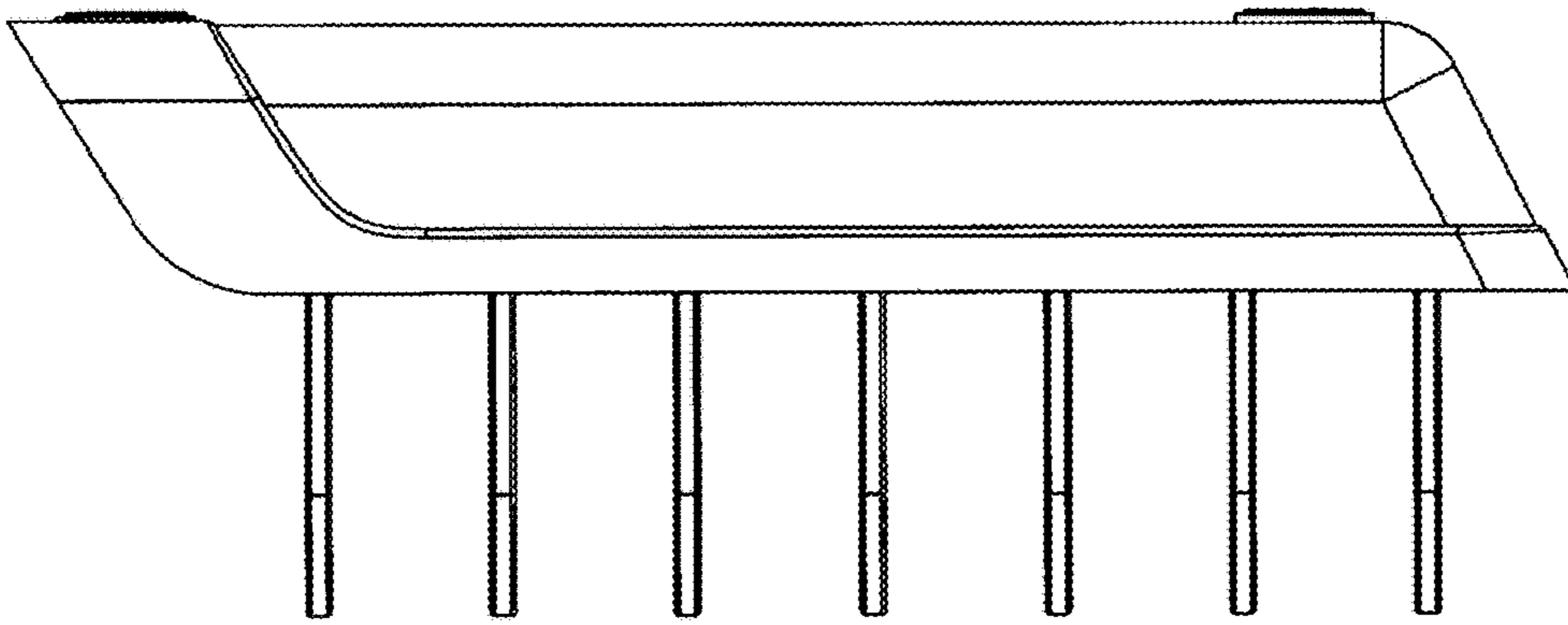


FIG. 5

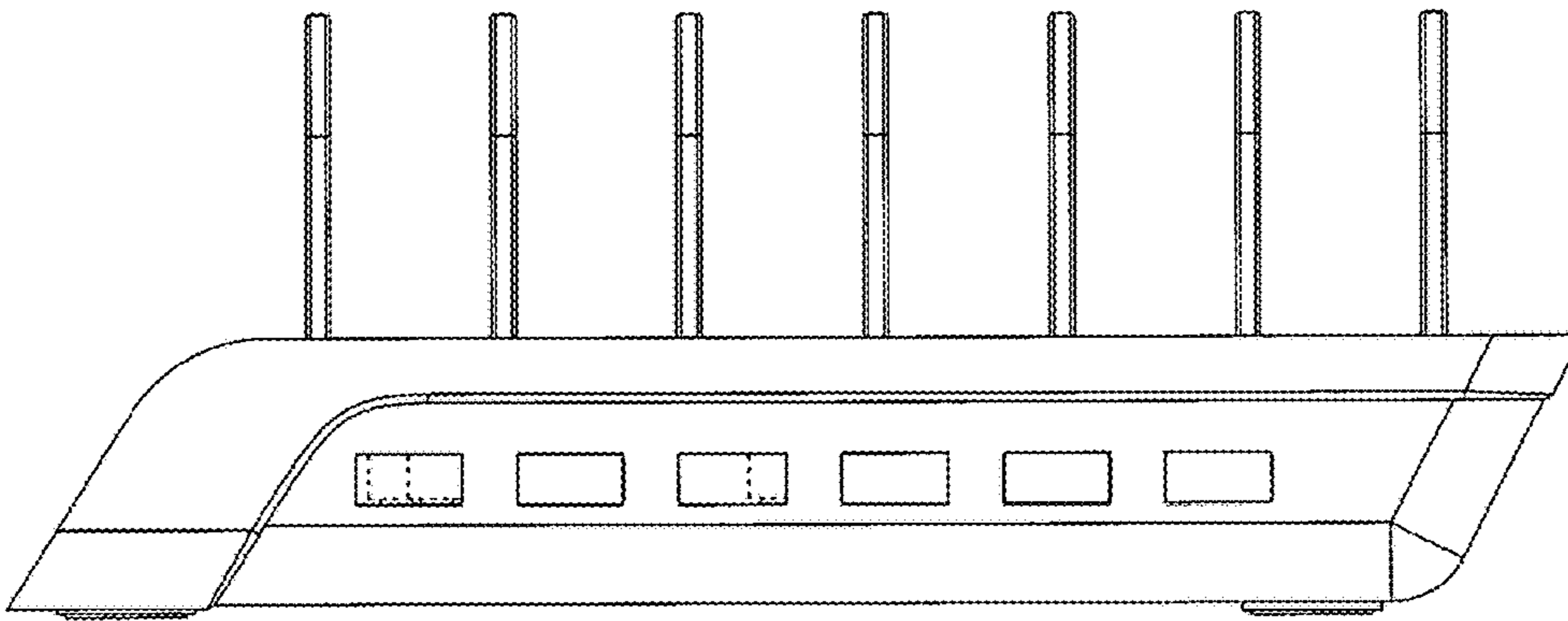


FIG. 6

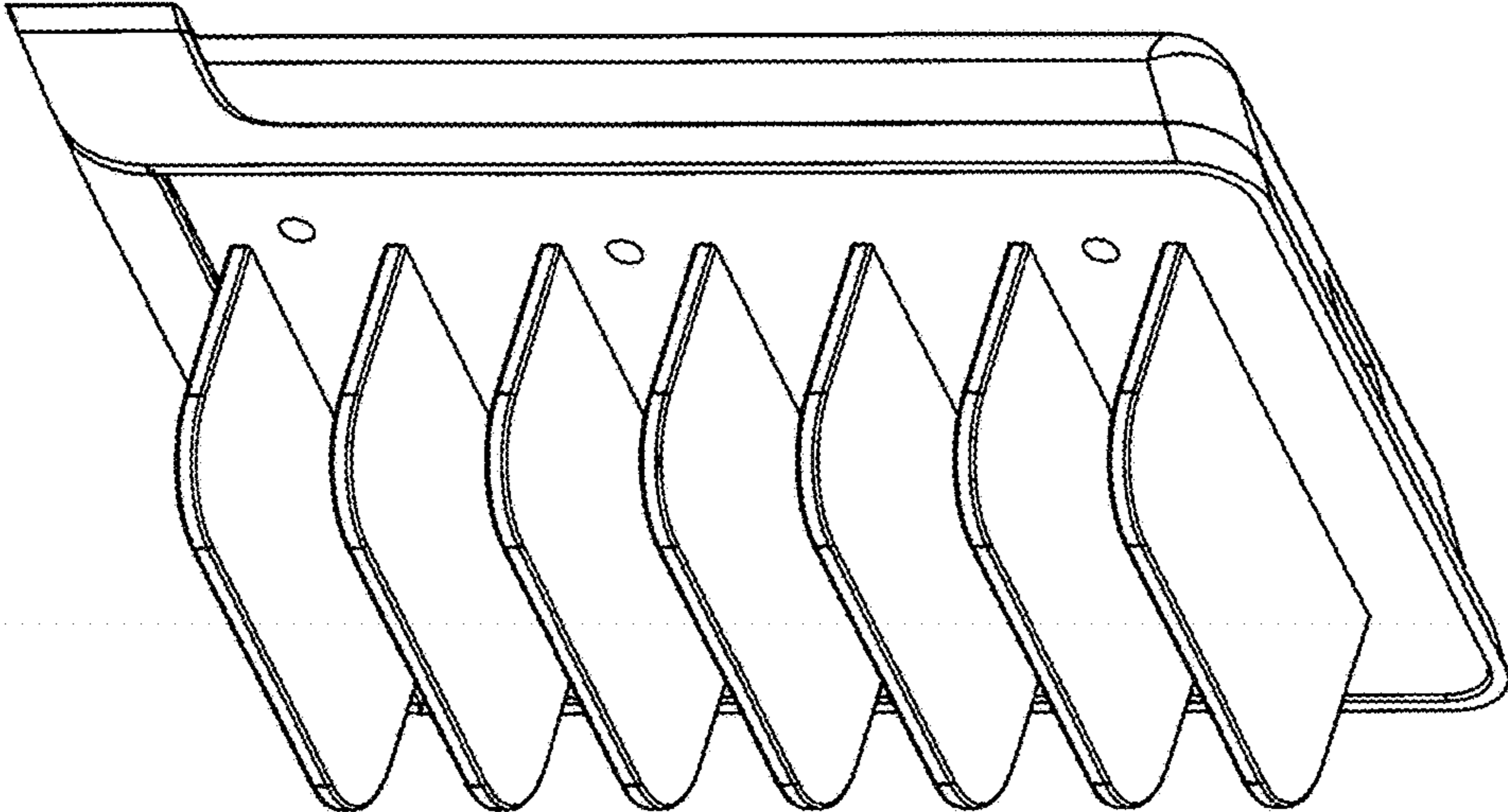


FIG. 7

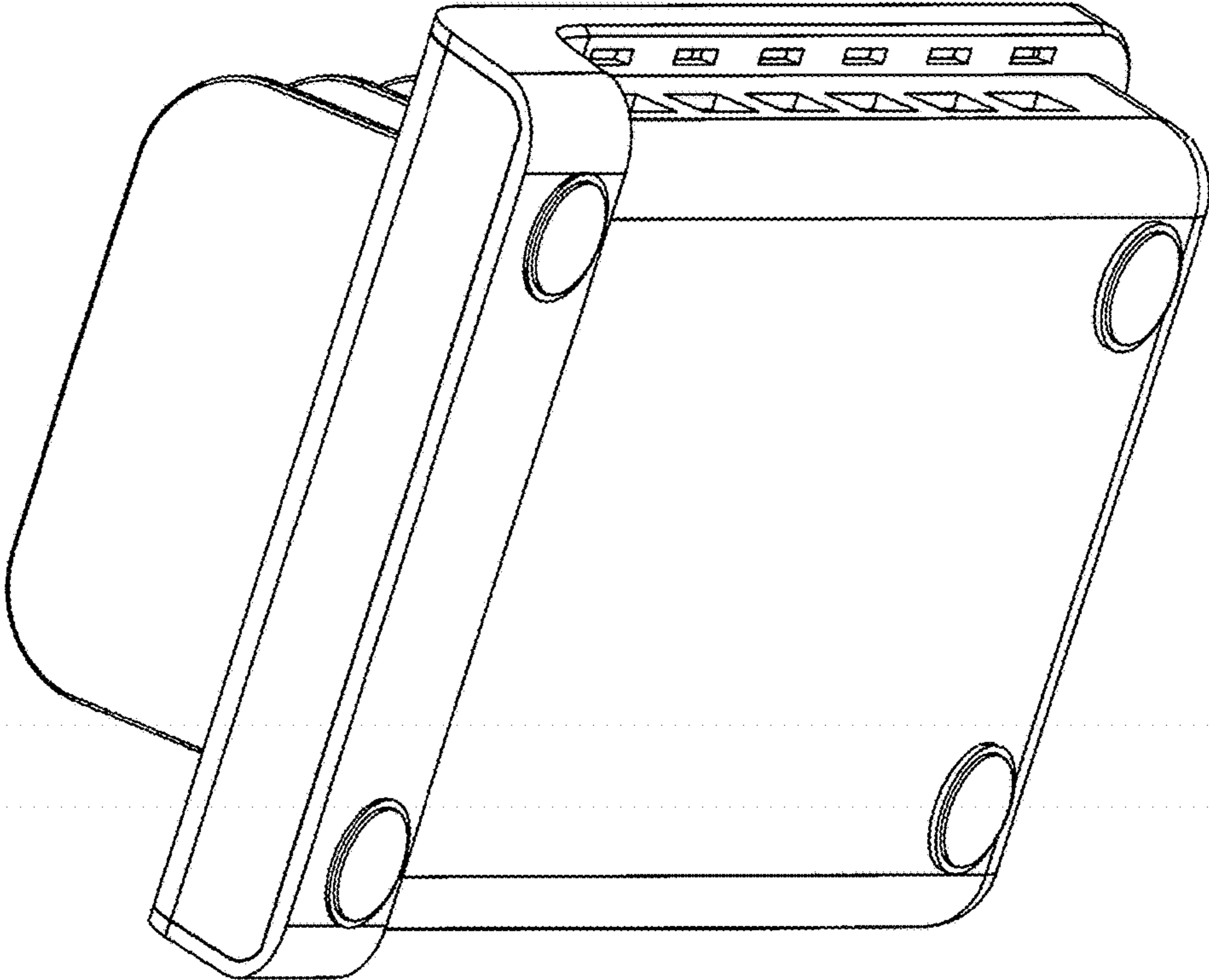


FIG. 8

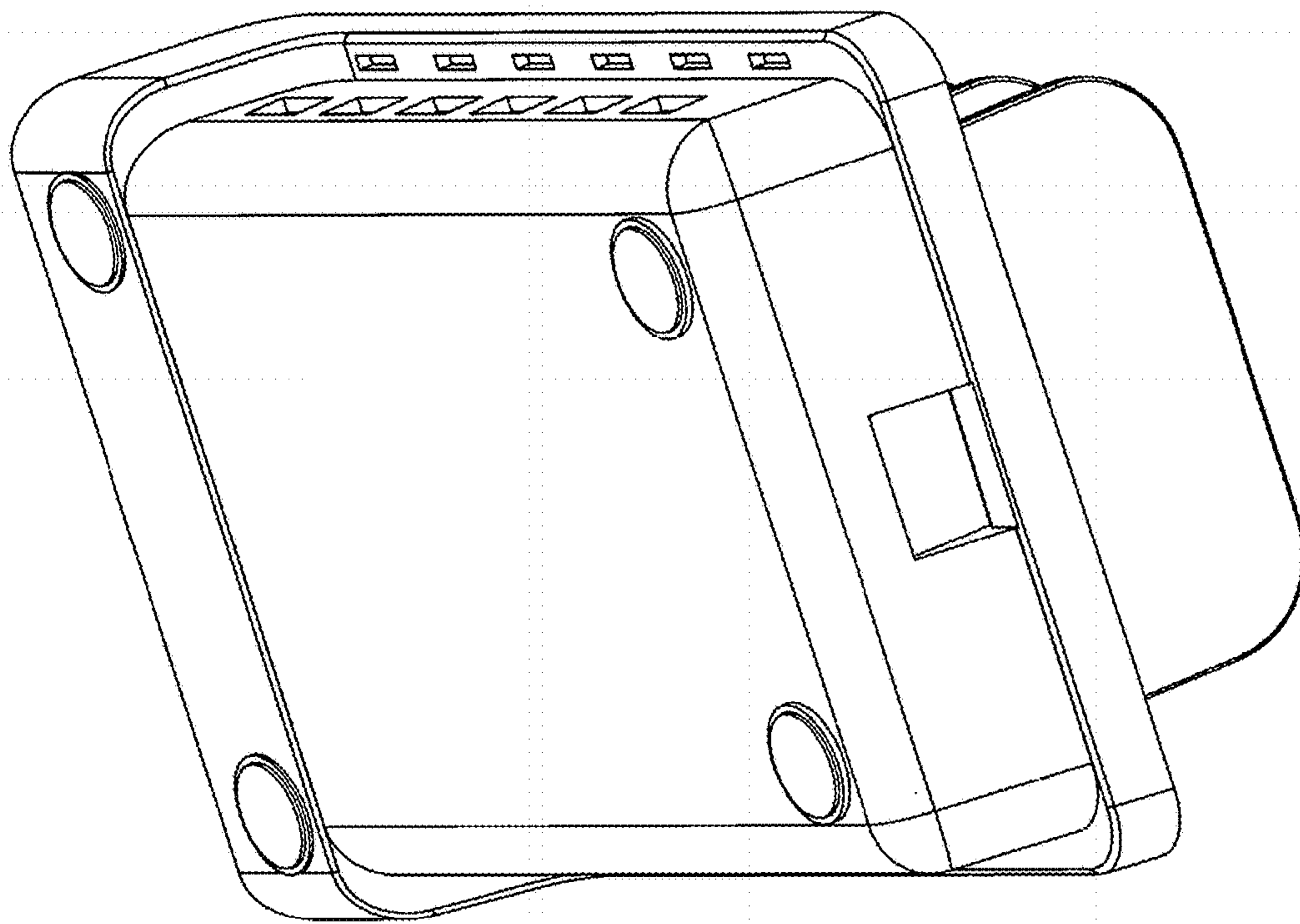


FIG. 9