



US00D823795S

(12) **United States Design Patent**
Hsiao et al.

(10) **Patent No.:** **US D823,795 S**
(45) **Date of Patent:** **** Jul. 24, 2018**

(54) **MOBILE POWER BANK**
(71) Applicant: **DATAplus Supplies, Inc.**, Taipei (TW)
(72) Inventors: **Jennifer Hsiao**, Taipei (TW);
Cheng-Lun Huang, Taipei (TW)
(73) Assignee: **DATAPLUS SUPPLIES, INC.**, Taipei
(TW)
(**) Term: **15 Years**

D533,427 S * 12/2006 Barber D8/99
D537,818 S * 3/2007 Burton D14/480.1
D537,820 S * 3/2007 Hsu D14/480.1
D606,078 S * 12/2009 Chen D14/480.6
D640,263 S * 6/2011 Huang D14/480.3
D645,050 S * 9/2011 Faranda D13/108
D653,207 S * 1/2012 Vandiver D13/108
D670,902 S * 11/2012 McSweyn D3/208
8,811,006 B2 * 8/2014 Huang G06F 21/88
361/679.31
D758,307 S * 6/2016 Stump D13/108
D810,717 S * 2/2018 Magness D14/204

* cited by examiner

(21) Appl. No.: **29/590,489**
(22) Filed: **Jan. 11, 2017**
(51) **LOC (11) Cl.** **13-02**
(52) **U.S. Cl.**
USPC **D13/108**; D13/103
(58) **Field of Classification Search**
USPC D13/102–110, 118–119, 184, 199;
D14/356, 432
CPC Y02E 60/10; Y02E 60/12; Y02E 60/122;
Y02E 60/124; Y02E 60/50; H01M 2/02;
H01M 2/022; H01M 2/0202; H01M
2/0207; H01M 2/0212; H01M 2/1061;
H01M 2/1022; H01M 2/1055; H01M
2/1066; H01M 2/105; H01M 2/20; H01M
2/204; H01M 2/206; H01M 10/44; H01M
10/46; H01M 10/465; H01M 10/482;
H01M 2200/30; H01M 2250/30; H01M
2250/40; H02J 7/00; H02J 7/0003; H02J
7/0011; H02J 7/0013; H02J 7/0054; H02J
7/0055; H02J 7/0057; H02J 2007/0062
See application file for complete search history.

Primary Examiner — Rosemary K Tarcza
Assistant Examiner — Nathaniel D Buckner
(74) *Attorney, Agent, or Firm* — Chun-Ming Shih; HDLS
IPR Services

(57) **CLAIM**

The ornamental design for a mobile power bank, as shown
and described.

DESCRIPTION

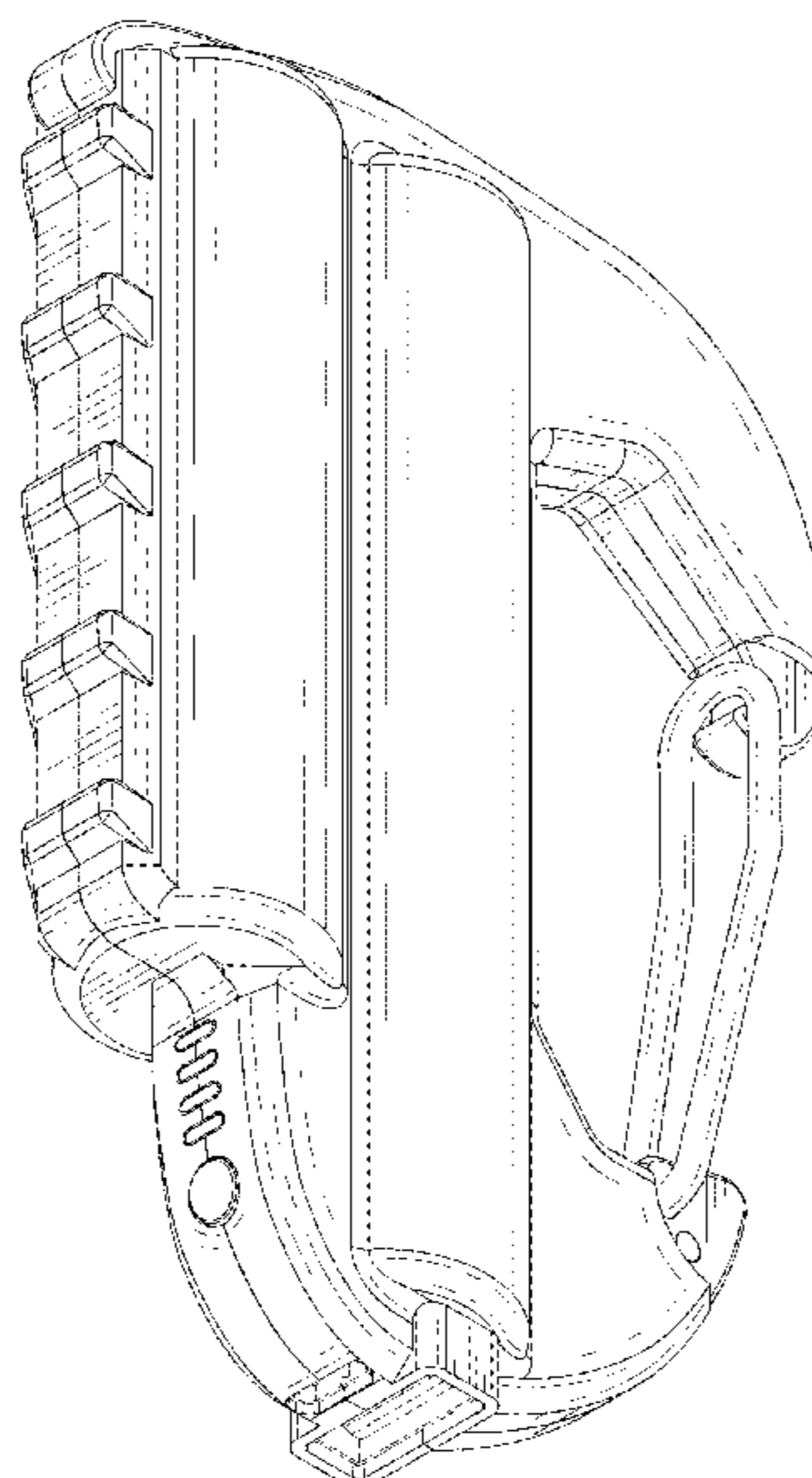
FIG. 1 is a perspective view of a mobile power bank
showing our new design;
FIG. 2 is a front view thereof;
FIG. 3 is a rear view thereof;
FIG. 4 is a left side view thereof;
FIG. 5 is a right side view thereof;
FIG. 6 is a top view thereof;
FIG. 7 is a bottom view thereof;
FIG. 8 is second perspective view; and,
FIG. 9 is third perspective view showing the mobile power
bank.

The broken lines in the figures depict portions of the article
which form no part of the claimed design.

(56) **References Cited**
U.S. PATENT DOCUMENTS

D459,338 S * 6/2002 Sterzick D14/196
D478,823 S * 8/2003 Kelleghan D10/68

1 Claim, 7 Drawing Sheets



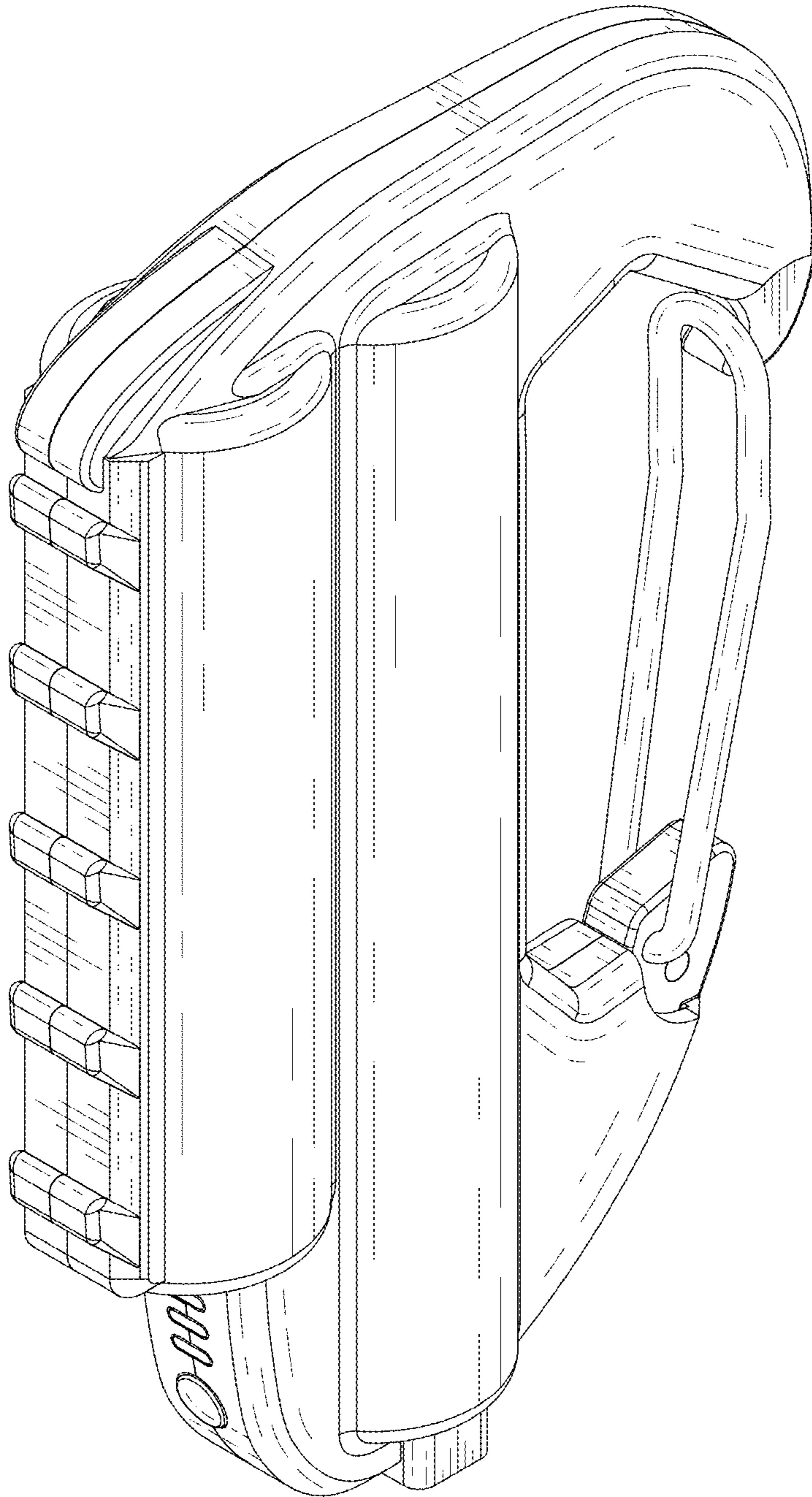


FIG.1

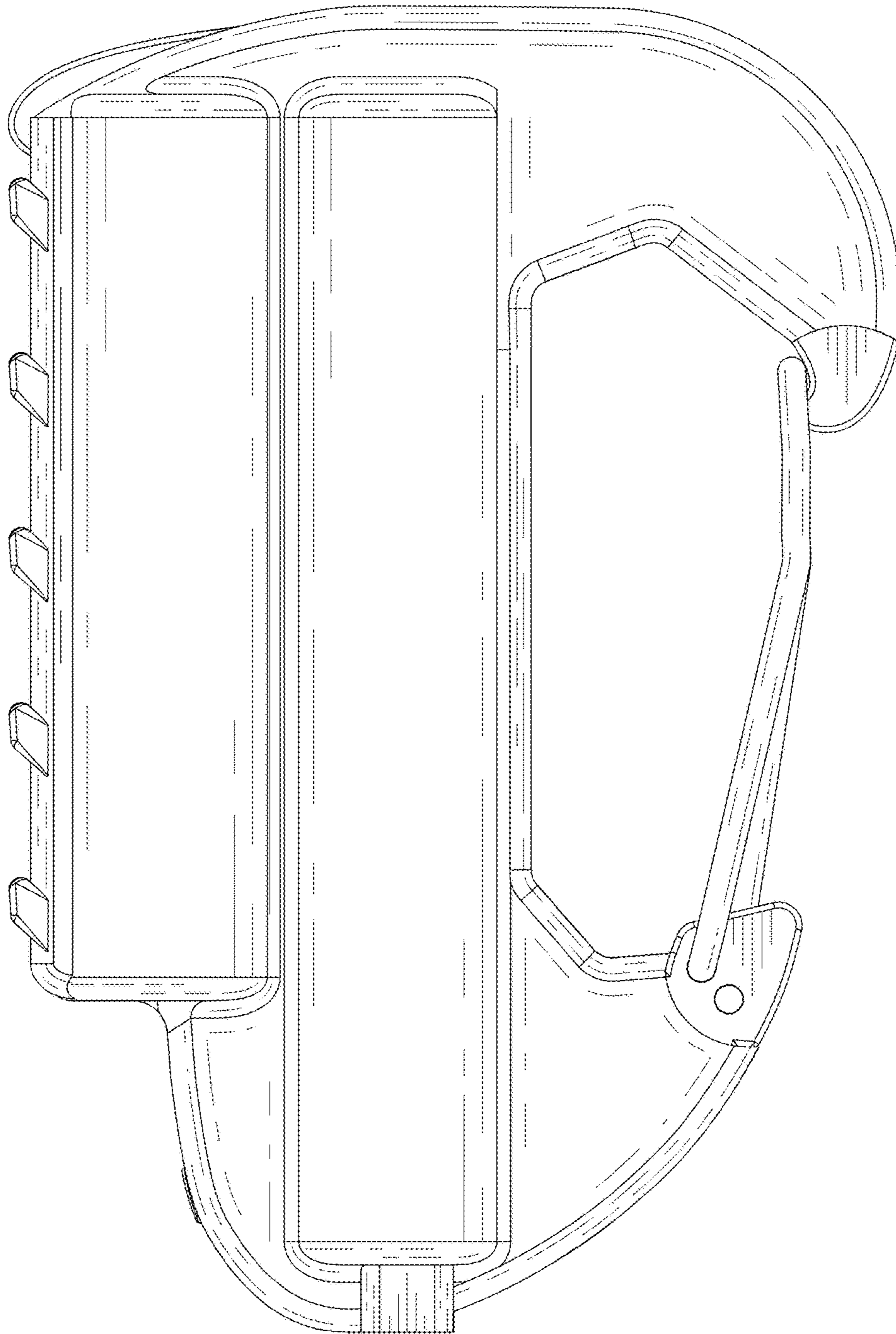


FIG.2

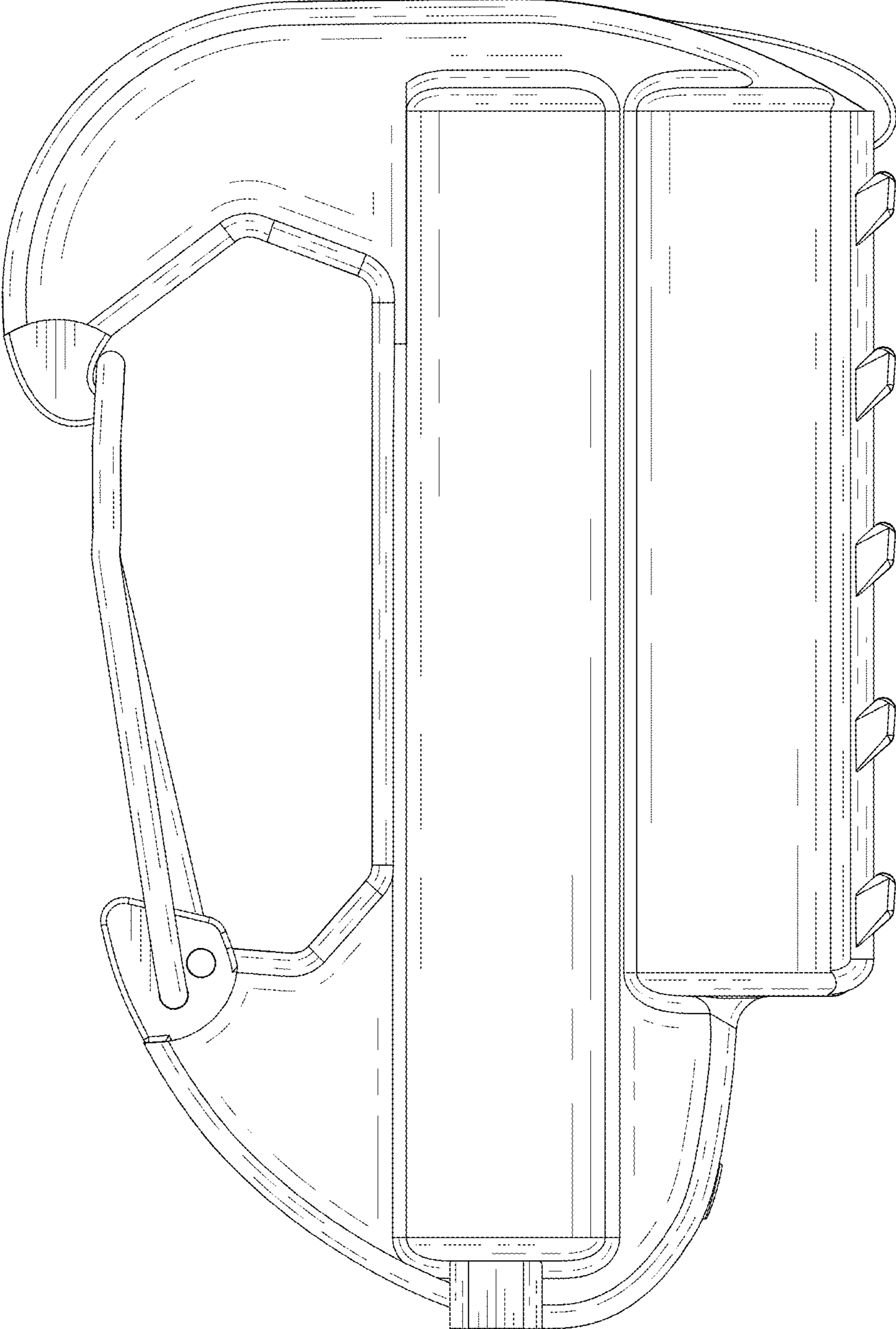


FIG.3

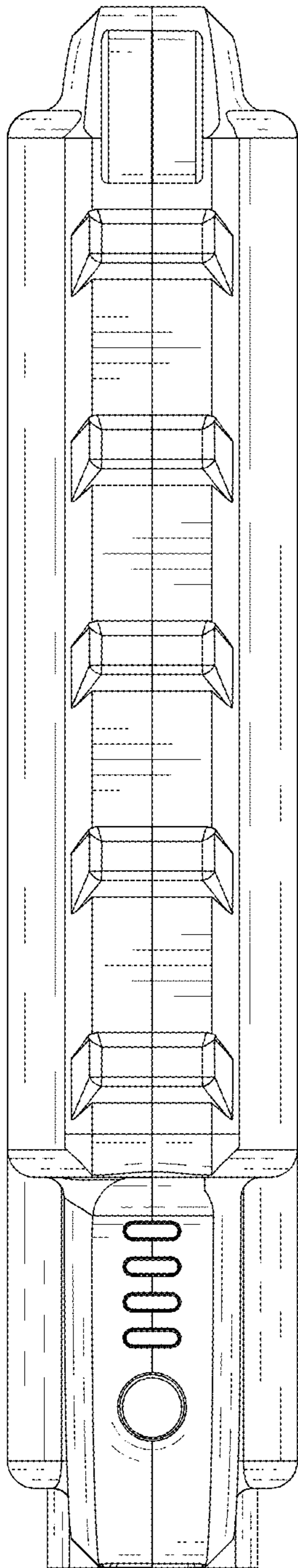


FIG. 4

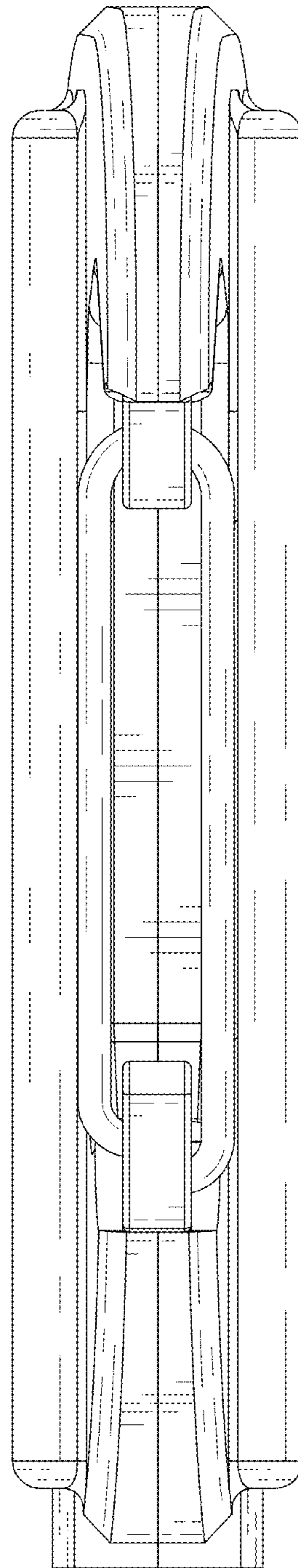


FIG. 5

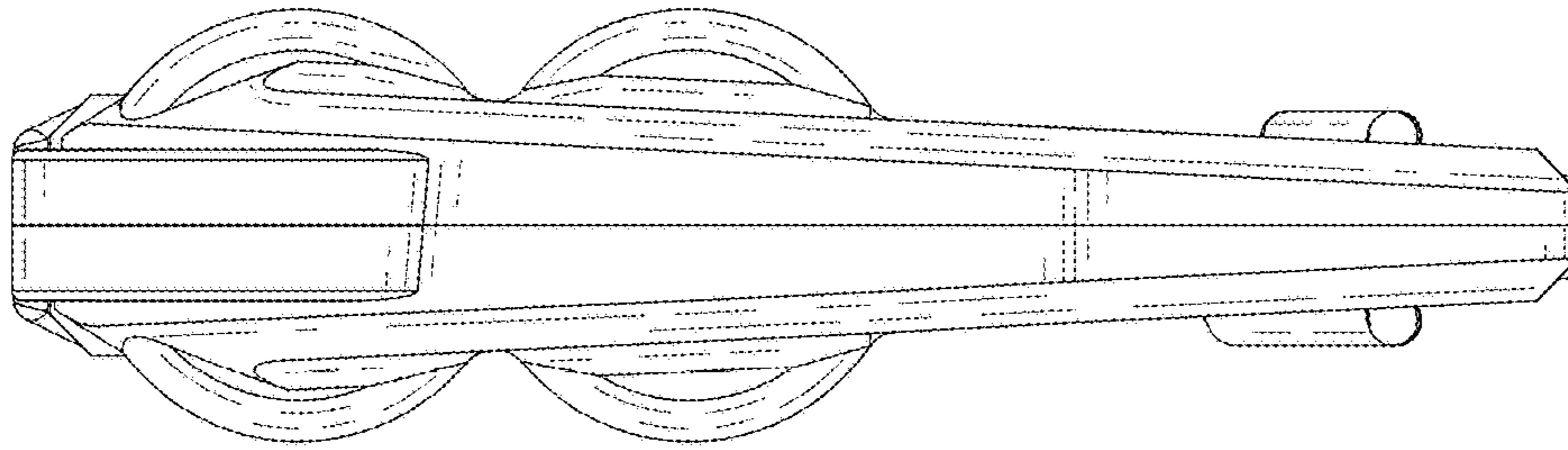


FIG. 6

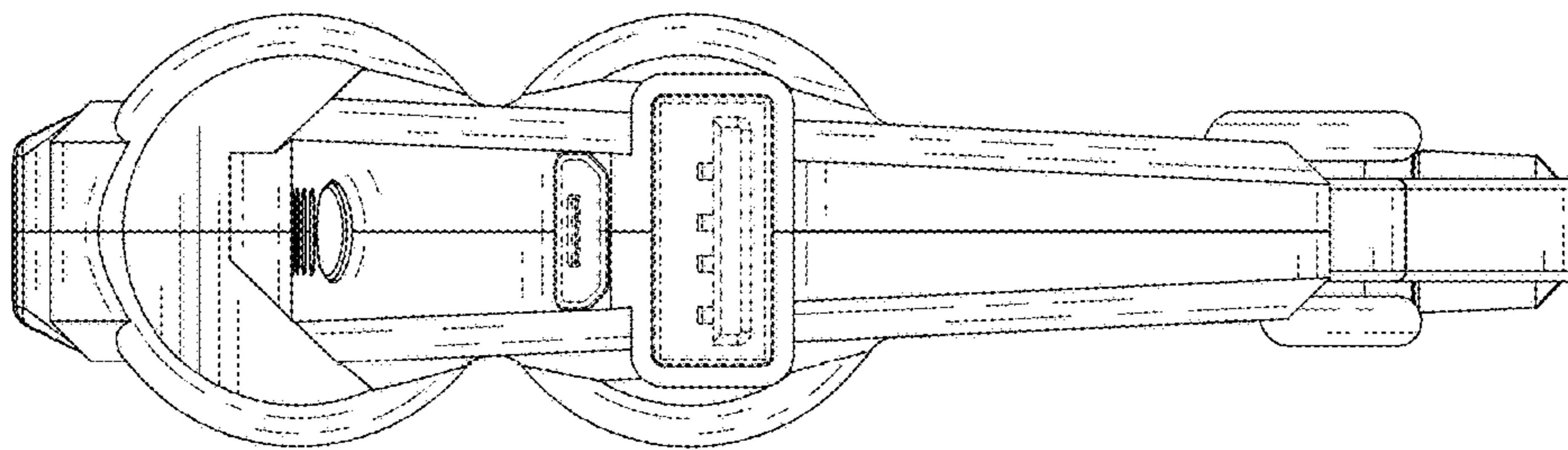


FIG. 7

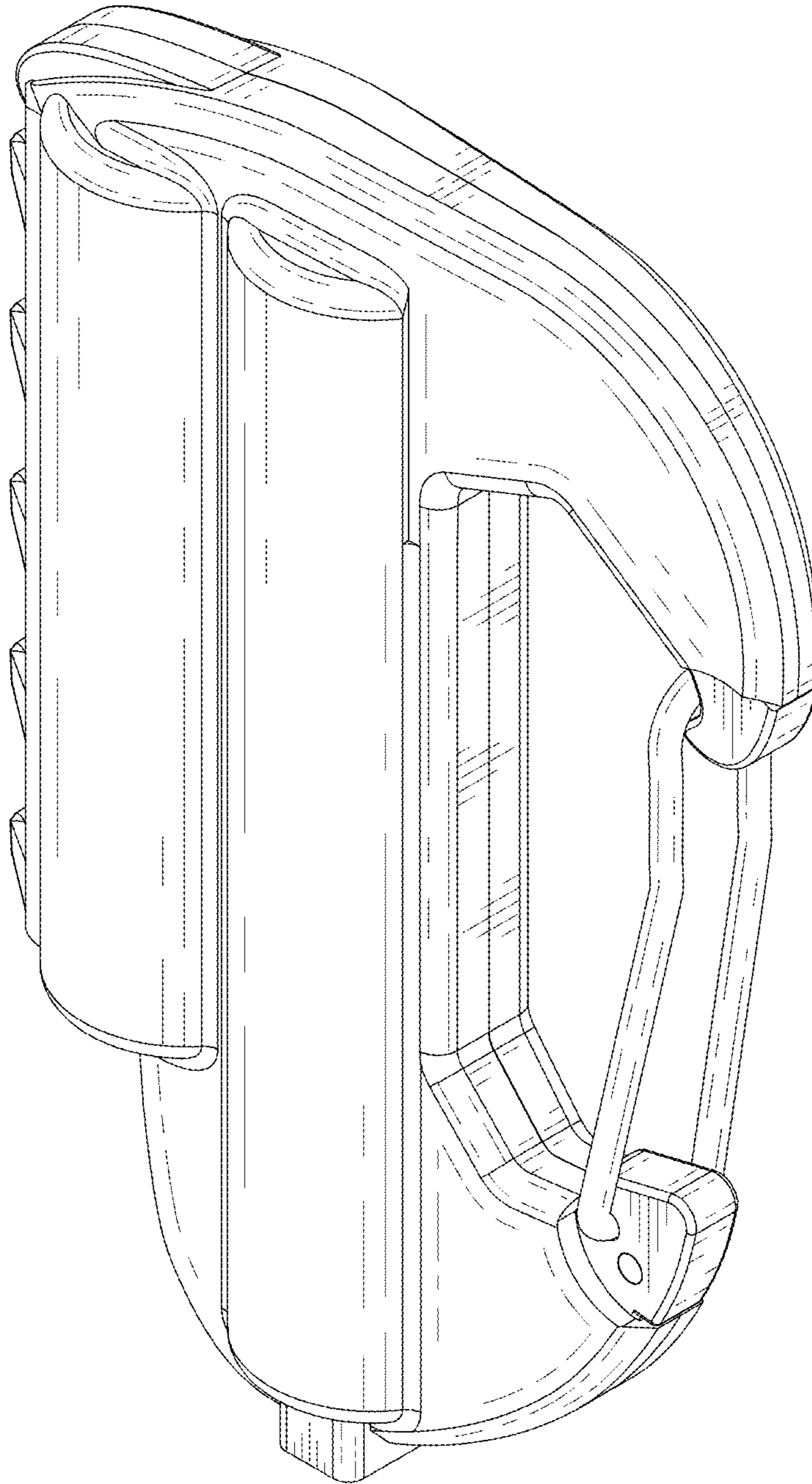


FIG.8

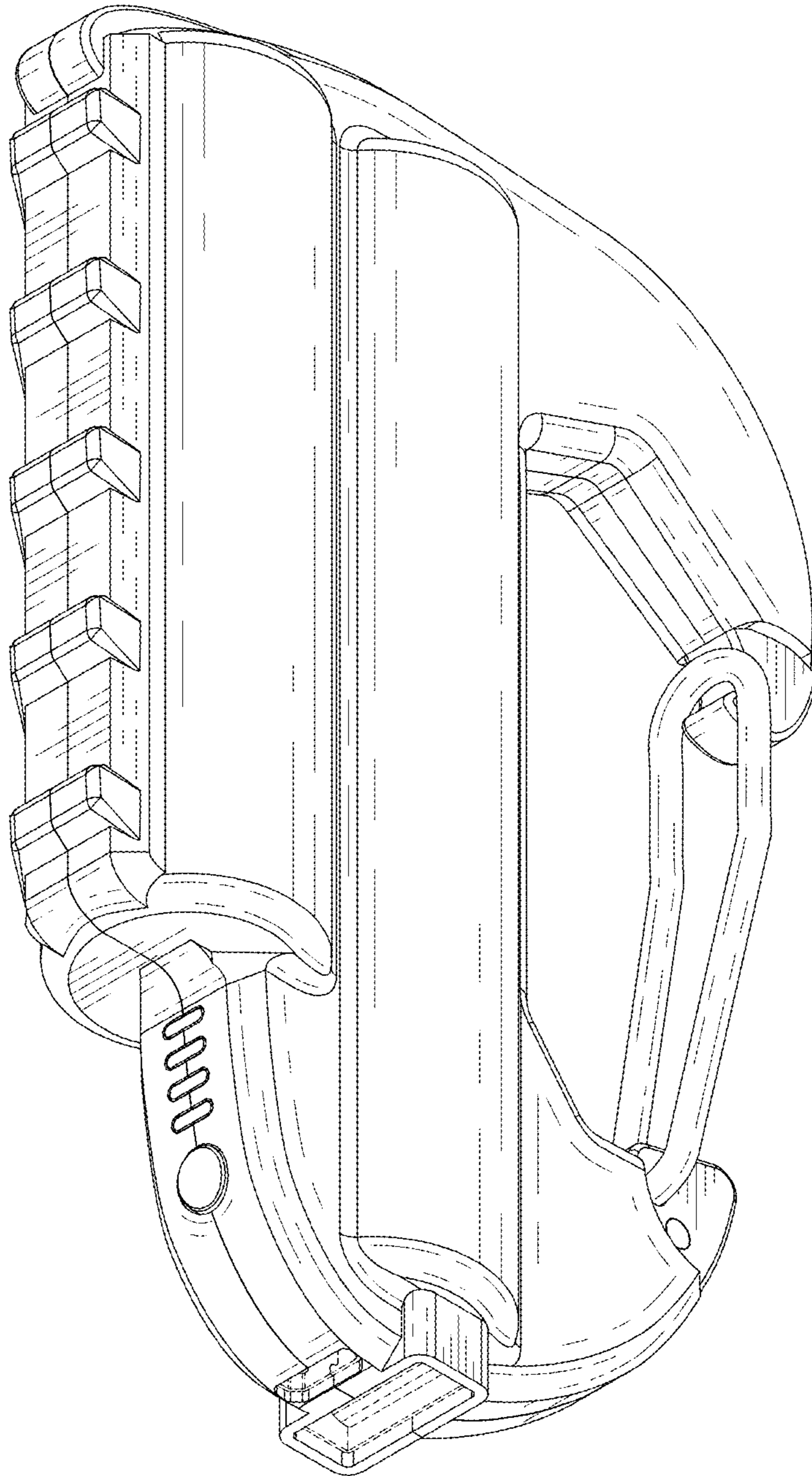


FIG.9