



US00D823794S

(12) **United States Design Patent** (10) **Patent No.:** **US D823,794 S**  
**Hsiao et al.** (45) **Date of Patent:** **\*\* Jul. 24, 2018**

(54) **MOBILE POWER BANK**  
 (71) Applicant: **DATAplus Supplies, Inc.**, Taipei (TW)  
 (72) Inventors: **Jennifer Hsiao**, Taipei (TW);  
**Cheng-Lun Huang**, Taipei (TW)  
 (73) Assignee: **DATAPLUS SUPPLIES, INC.**, Taipei (TW)  
 (\*\*) Term: **15 Years**

D533,427 S \* 12/2006 Barber ..... D8/99  
 D537,818 S \* 3/2007 Burton ..... D14/480.1  
 D537,820 S \* 3/2007 Hsu ..... D14/480.1  
 D606,078 S \* 12/2009 Chen ..... D14/480.6  
 D640,263 S \* 6/2011 Huang ..... D14/480.3  
 D645,050 S \* 9/2011 Faranda ..... D13/108  
 D653,207 S \* 1/2012 Vandiver ..... D13/108  
 D670,902 S \* 11/2012 McSweyn ..... D3/208  
 8,811,006 B2 \* 8/2014 Huang ..... G06F 21/88  
 361/679.31  
 D758,307 S \* 6/2016 Stump ..... D13/108  
 D810,717 S \* 2/2018 Magness ..... D14/204

\* cited by examiner

(21) Appl. No.: **29/590,486**  
 (22) Filed: **Jan. 11, 2017**  
 (51) **LOC (11) Cl.** ..... **13-02**  
 (52) **U.S. Cl.**  
 USPC ..... **D13/108**; D13/103  
 (58) **Field of Classification Search**  
 USPC ..... D13/102–110, 118–119, 184, 199;  
 D14/356, 432  
 CPC ..... Y02E 60/10; Y02E 60/12; Y02E 60/122;  
 Y02E 60/124; Y02E 60/50; H01M 2/02;  
 H01M 2/022; H01M 2/0202; H01M  
 2/0207; H01M 2/0212; H01M 2/1061;  
 H01M 2/1022; H01M 2/1055; H01M  
 2/1066; H01M 2/105; H01M 2/20; H01M  
 2/204; H01M 2/206; H01M 10/44; H01M  
 10/46; H01M 10/465; H01M 10/482;  
 H01M 2200/30; H01M 2250/30; H01M  
 2250/40; H02J 7/00; H02J 7/0003; H02J  
 7/0011; H02J 7/0013; H02J 7/0054; H02J  
 7/0055; H02J 7/0057; H02J 2007/0062  
 See application file for complete search history.

*Primary Examiner* — Rosemary K Tarcza  
*Assistant Examiner* — Nathaniel D Buckner  
 (74) *Attorney, Agent, or Firm* — Chun-Ming Shih; HDLS  
 IPR Services

(57) **CLAIM**

The ornamental design for a mobile power bank, as shown and described.

**DESCRIPTION**

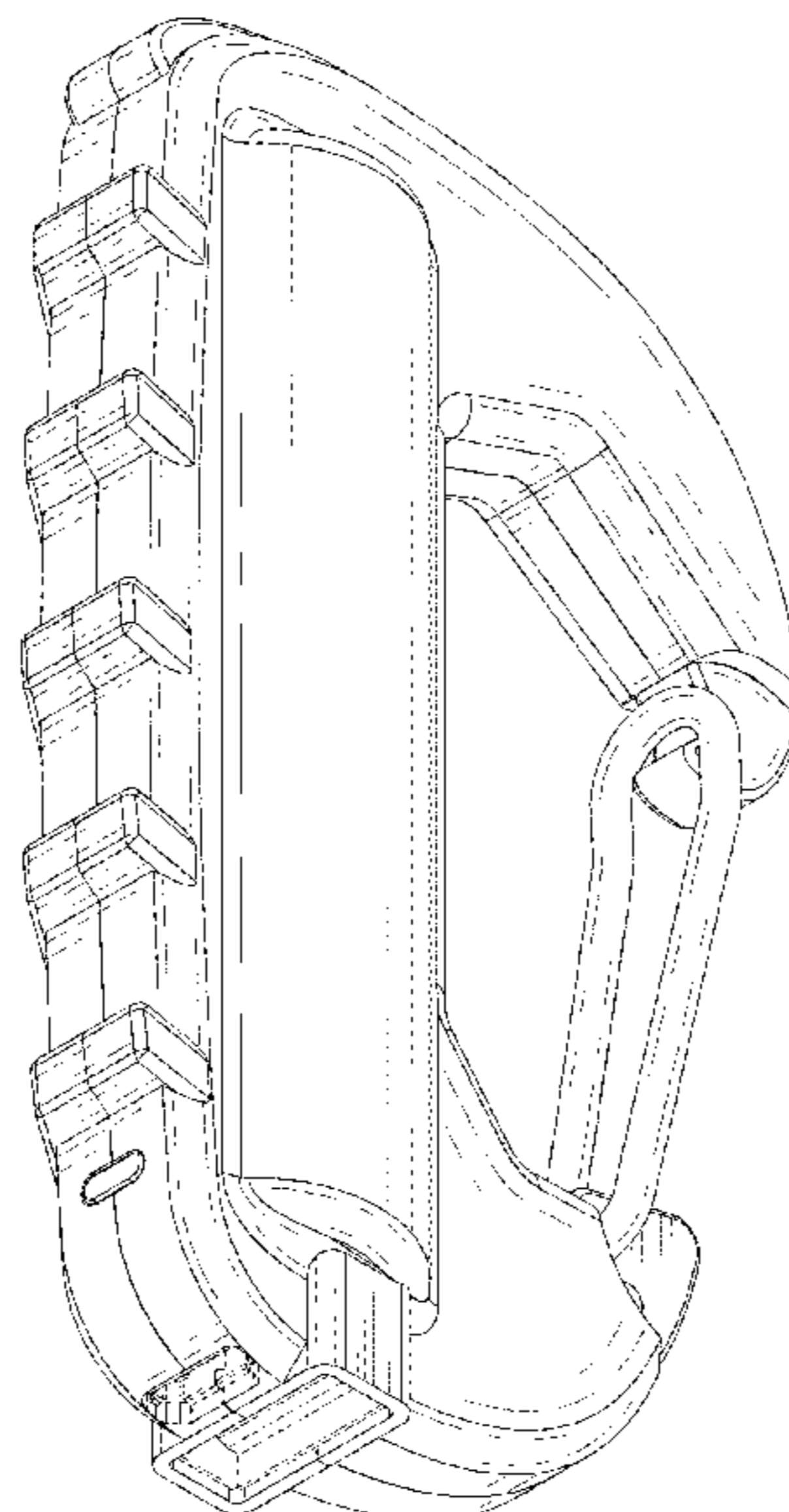
FIG. 1 is a perspective view of a mobile power bank showing our new design;  
 FIG. 2 is a front view thereof;  
 FIG. 3 is a rear view thereof;  
 FIG. 4 is a left side view thereof;  
 FIG. 5 is a right side view thereof;  
 FIG. 6 is a top view thereof;  
 FIG. 7 is a bottom view thereof;  
 FIG. 8 is second perspective view; and,  
 FIG. 9 is third perspective view showing the mobile power bank.

The broken lines in the figures depict portions of the article which form no part of the claimed design.

(56) **References Cited**  
 U.S. PATENT DOCUMENTS

D459,338 S \* 6/2002 Sterzick ..... D14/196  
 D478,823 S \* 8/2003 Kelleghan ..... D10/68

**1 Claim, 7 Drawing Sheets**



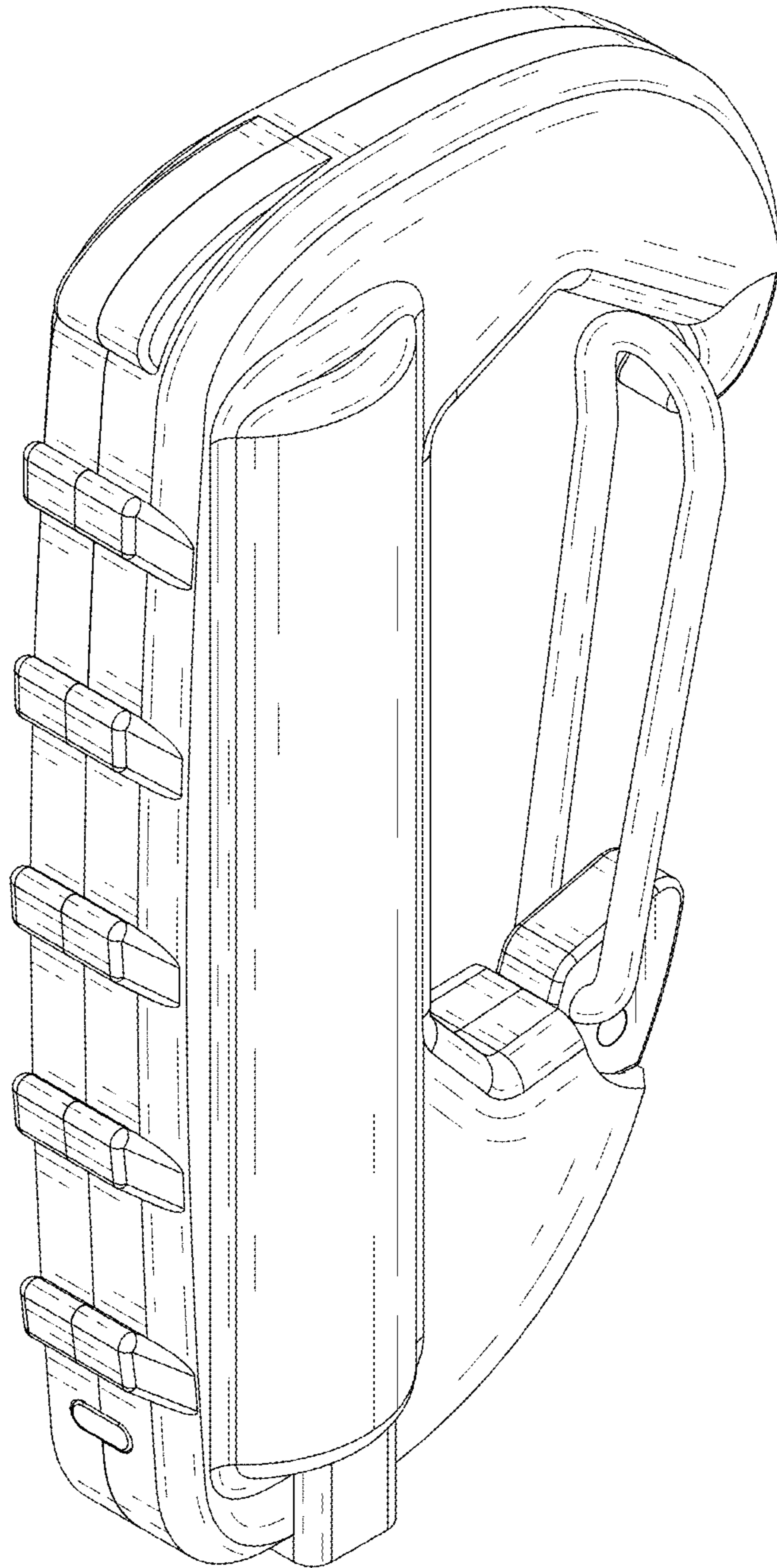


FIG.1

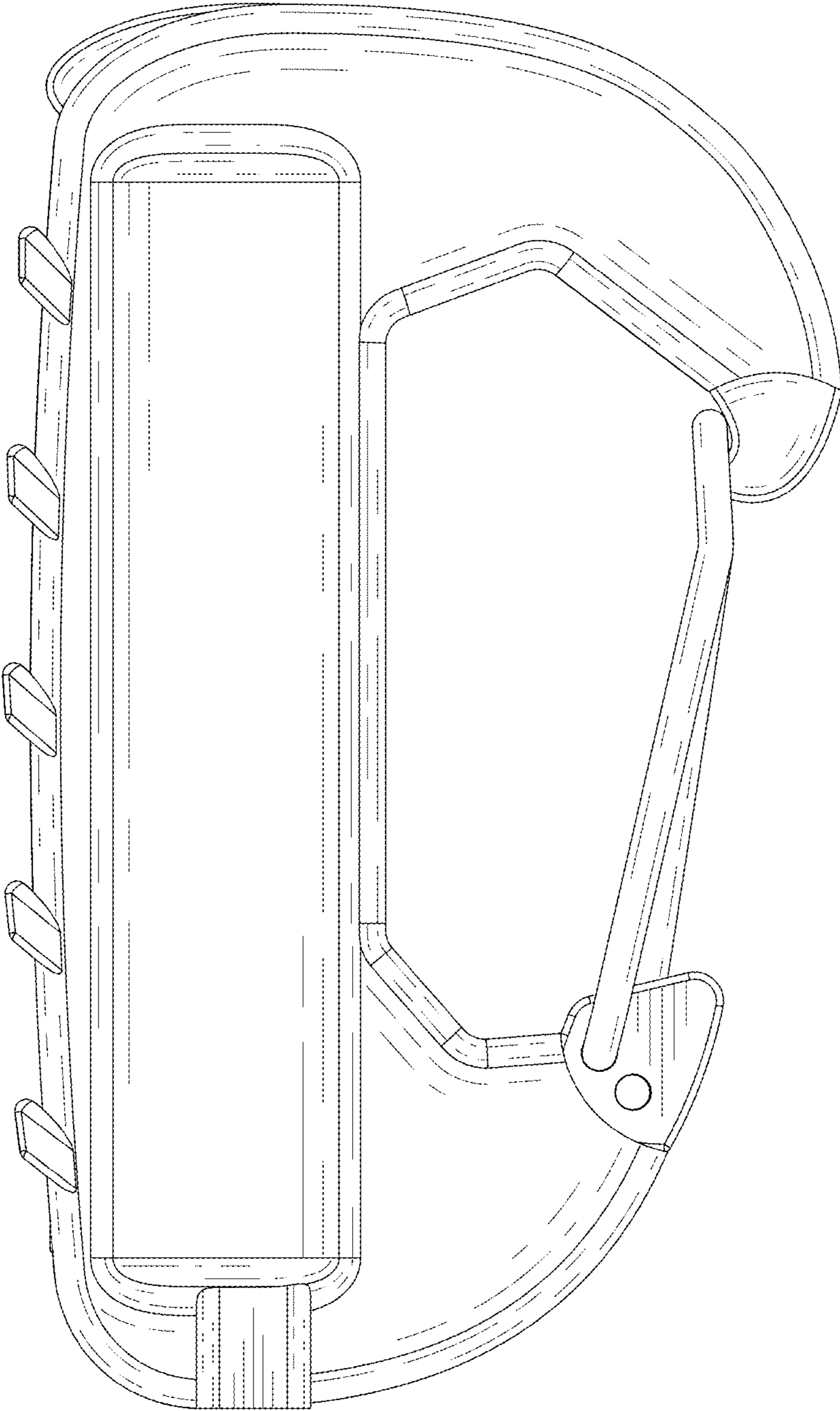


FIG.2

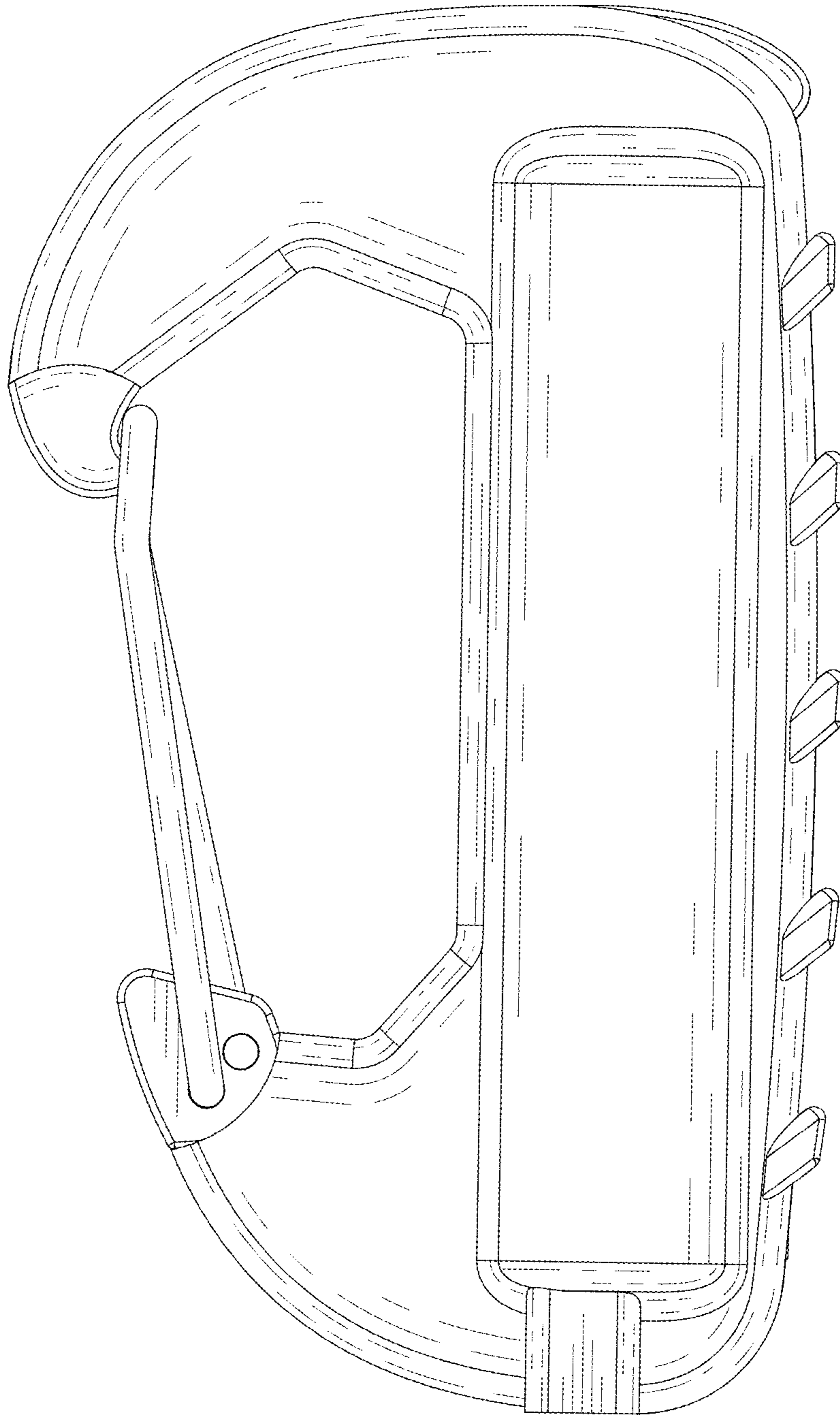


FIG. 3

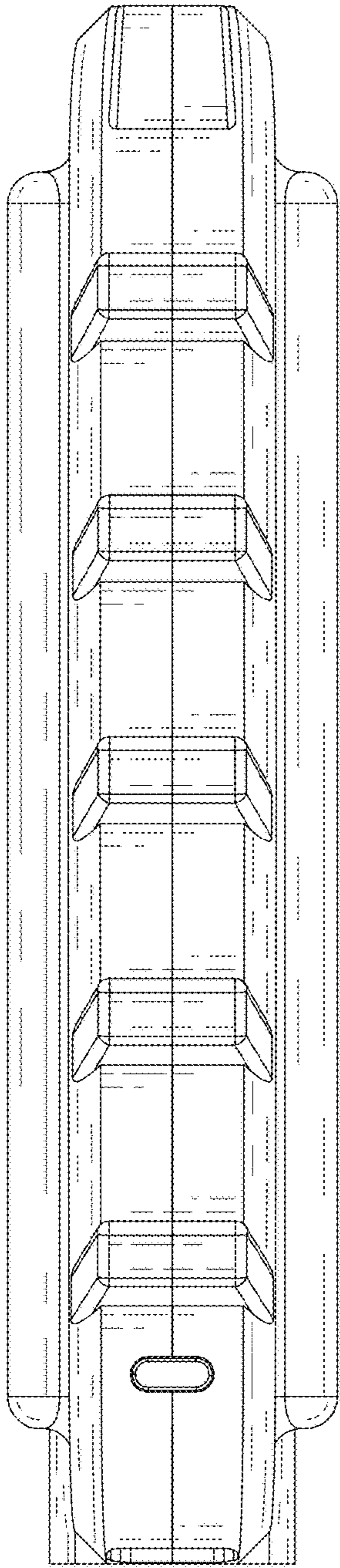


FIG. 4

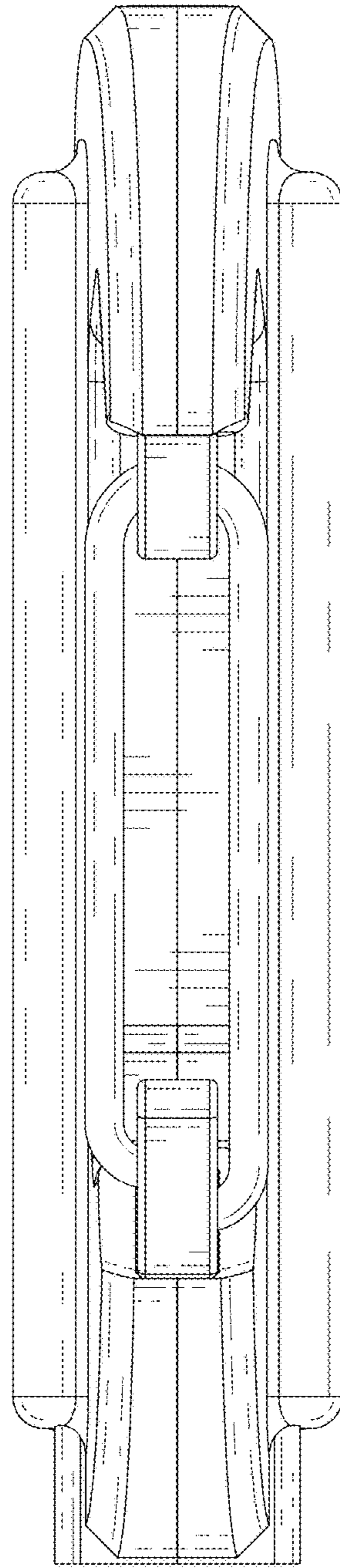


FIG. 5

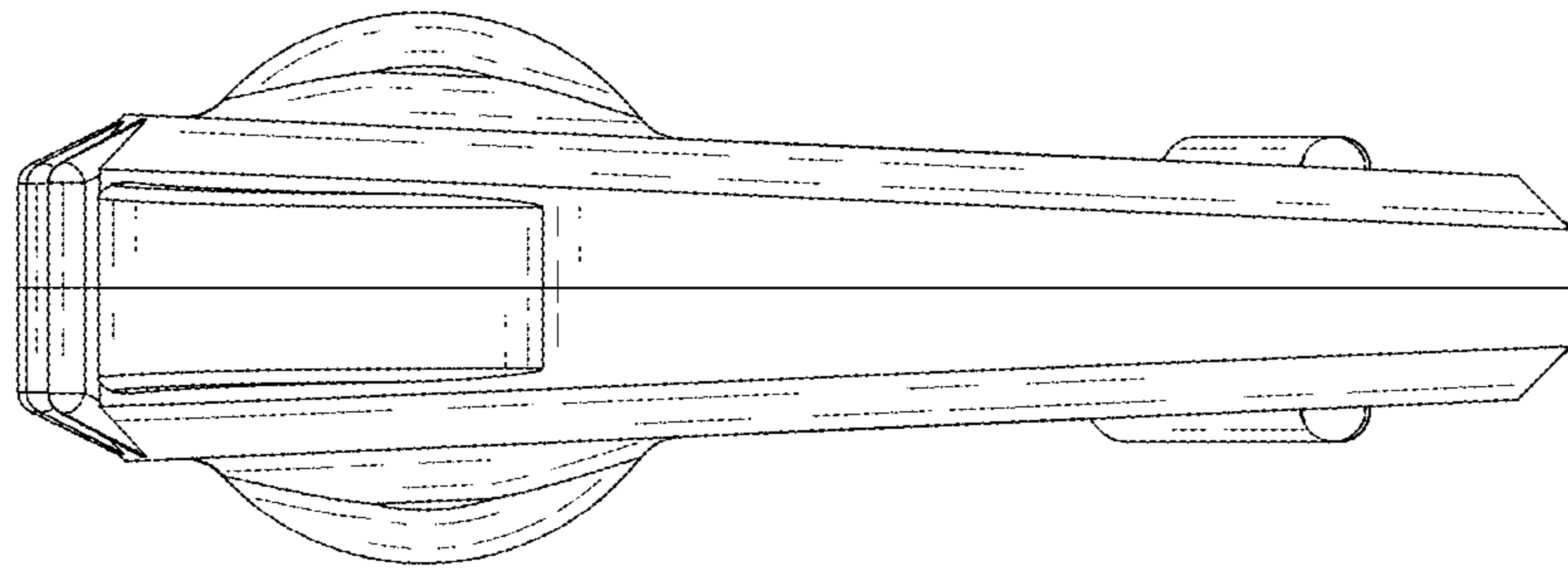


FIG. 6

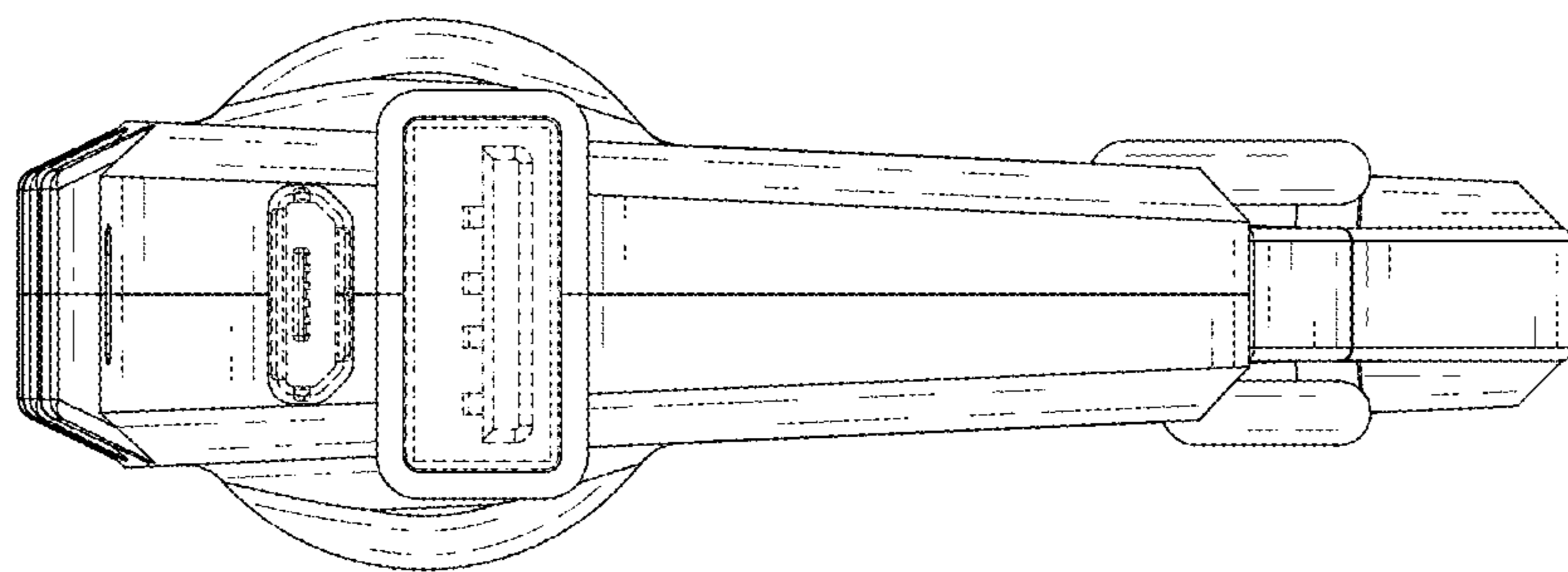


FIG. 7

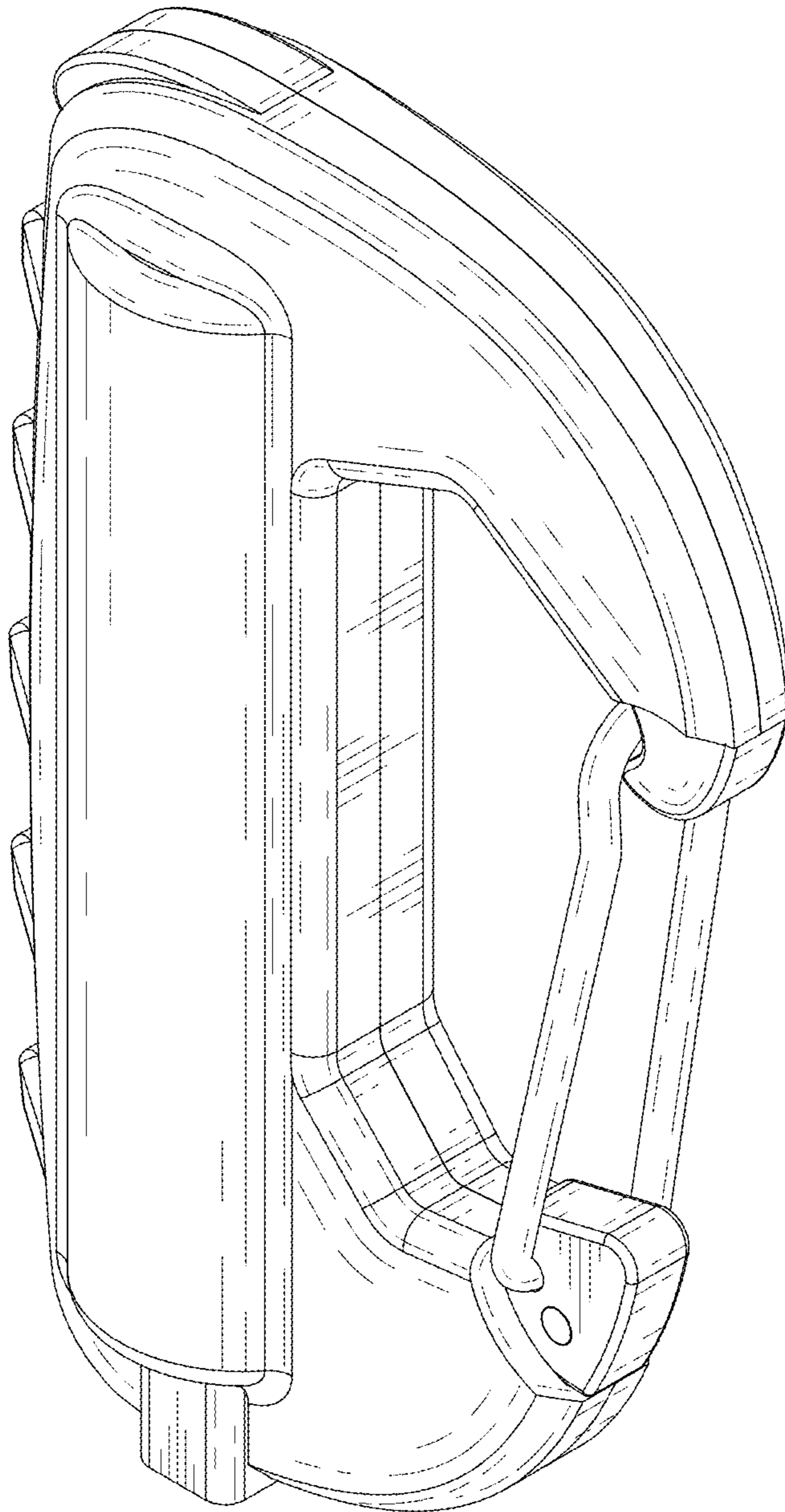


FIG.8

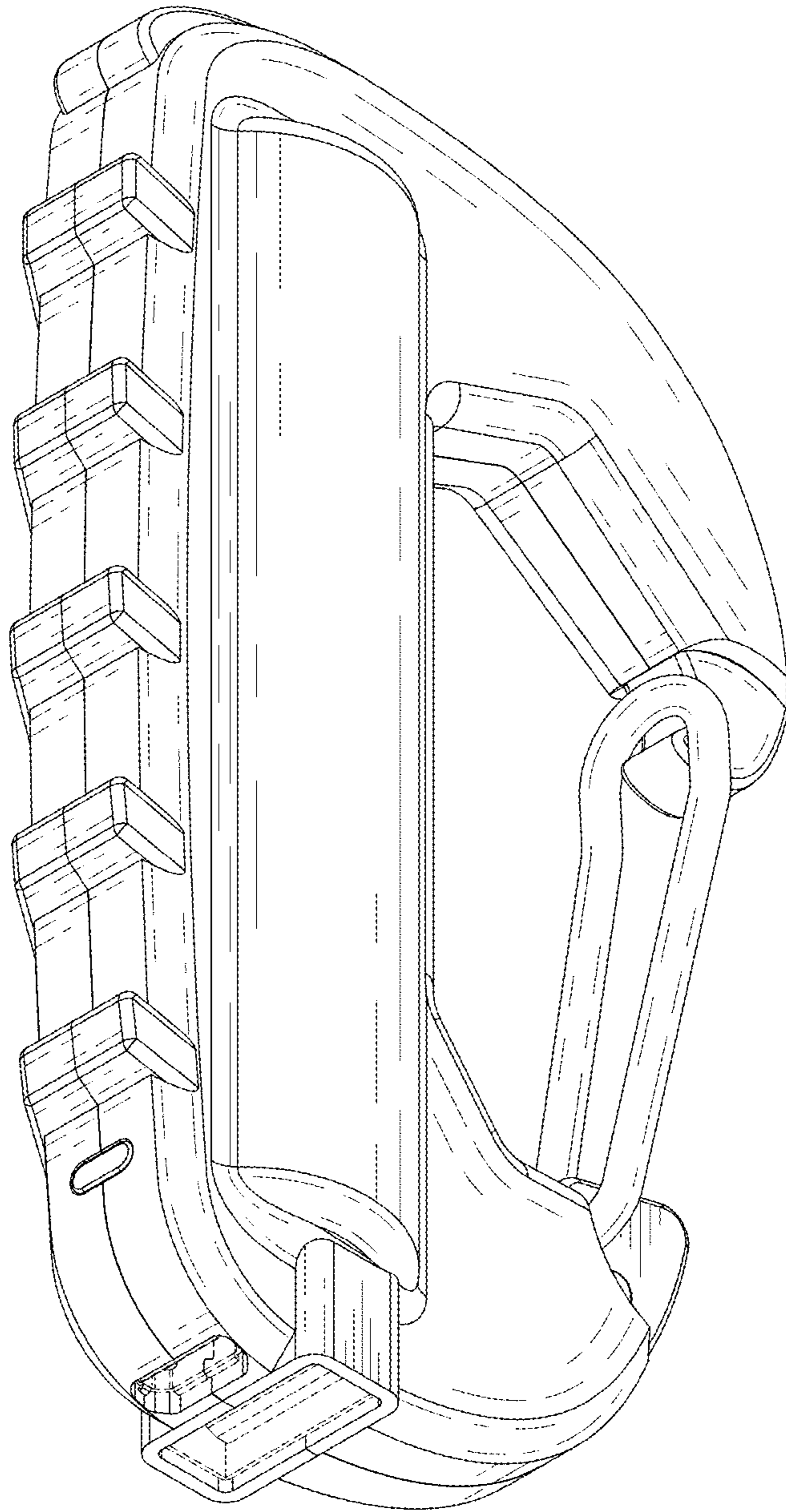


FIG.9