



US00D823792S

(12) **United States Design Patent** (10) **Patent No.:** **US D823,792 S**
Komoni et al. (45) **Date of Patent:** **** Jul. 24, 2018**

(54) **CHARGING DOCK**

(71) Applicants: **Krenar Komoni**, Worcester, MA (US);
Walker S. Harden, Palo Alto, CA
(US); **Robert A. Vice**, Quincy, MA
(US)

(72) Inventors: **Krenar Komoni**, Worcester, MA (US);
Walker S. Harden, Palo Alto, CA
(US); **Robert A. Vice**, Quincy, MA
(US)

(73) Assignee: **Tive, Inc.**, Worcester, MA (US)

(**) Term: **15 Years**

(21) Appl. No.: **29/600,720**

(22) Filed: **Apr. 14, 2017**

(51) **LOC (11) Cl.** **13-02**

(52) **U.S. Cl.**
USPC **D13/107**

(58) **Field of Classification Search**
USPC D13/107, 108, 109, 110, 118, 119, 184,
D13/103; D14/251, 253, 432, 434, 224,
D14/209.01, 216, 217
CPC Y02E 60/12; Y02T 90/14; Y02T 90/122;
Y02T 90/128; Y02T 90/163; H02J 7/025;
H02J 7/0042; H02J 7/0044; H02J 7/0045;
H02J 7/0003; H02J 2001/008; H02J 3/32;
H02J 3/008; H02J 7/0027; H02J 7/0013;
H02J 7/0054; H02J 7/00; H01F 38/14;
H01R 13/6675; H01M 2/1022; H01M
2/1055; H01M 10/44; H01M 10/46;
H01M 10/425; B60L 11/182; B60L
11/1809; B60L 11/1861; B60R 16/03

See application file for complete search history.

(56) **References Cited**

U.S. PATENT DOCUMENTS

D675,622 S *	2/2013	Petrick	D13/107
D709,445 S *	7/2014	Yeh	D13/107
D710,797 S *	8/2014	Awiszus	D13/107
D722,957 S *	2/2015	Kotaniemi	D13/108
D736,703 S *	8/2015	Kotaniemi	D13/108
D743,884 S *	11/2015	Kotaniemi	D13/108
D795,187 S *	8/2017	Skurdal	D13/108
D795,189 S *	8/2017	Skurdal	D13/108
D805,030 S *	12/2017	Massar	D13/108

* cited by examiner

Primary Examiner — Rosemary K Tarcza

Assistant Examiner — Christy M Nemeth

(74) *Attorney, Agent, or Firm* — Foley Hoag LLP; Rajesh Vallabh

(57) **CLAIM**

The ornamental design for a charging dock, as shown and described.

DESCRIPTION

FIG. 1 is a perspective view of a charging dock showing our new design;

FIG. 2 is a top view thereof;

FIG. 3 is a right side view thereof;

FIG. 4 is a bottom view thereof;

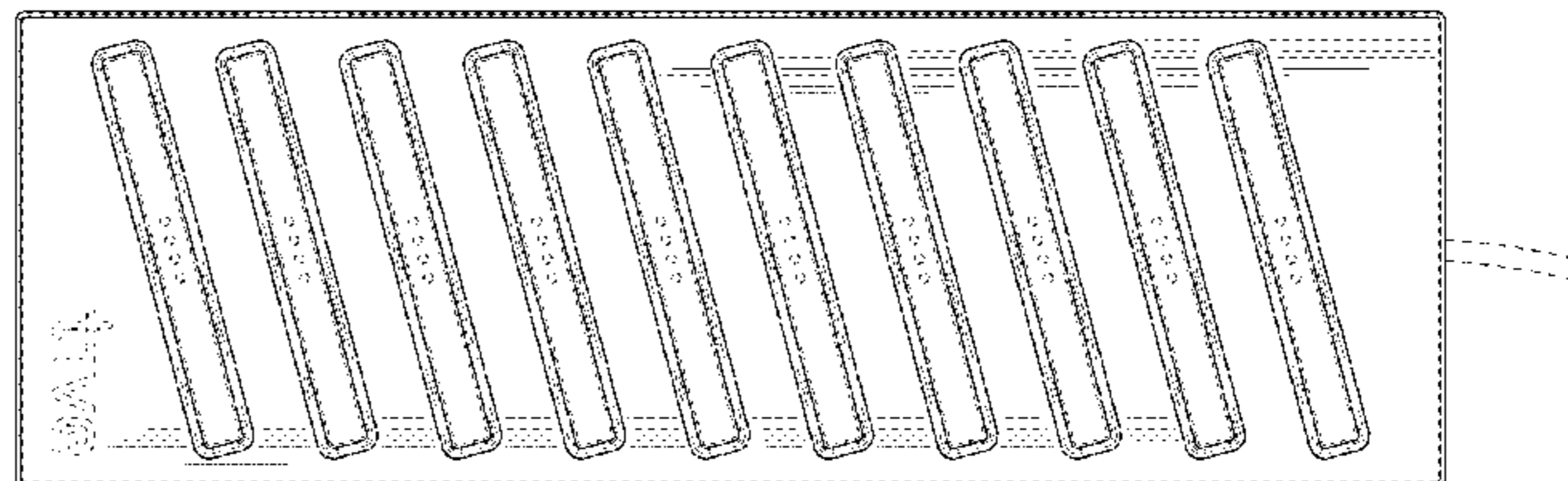
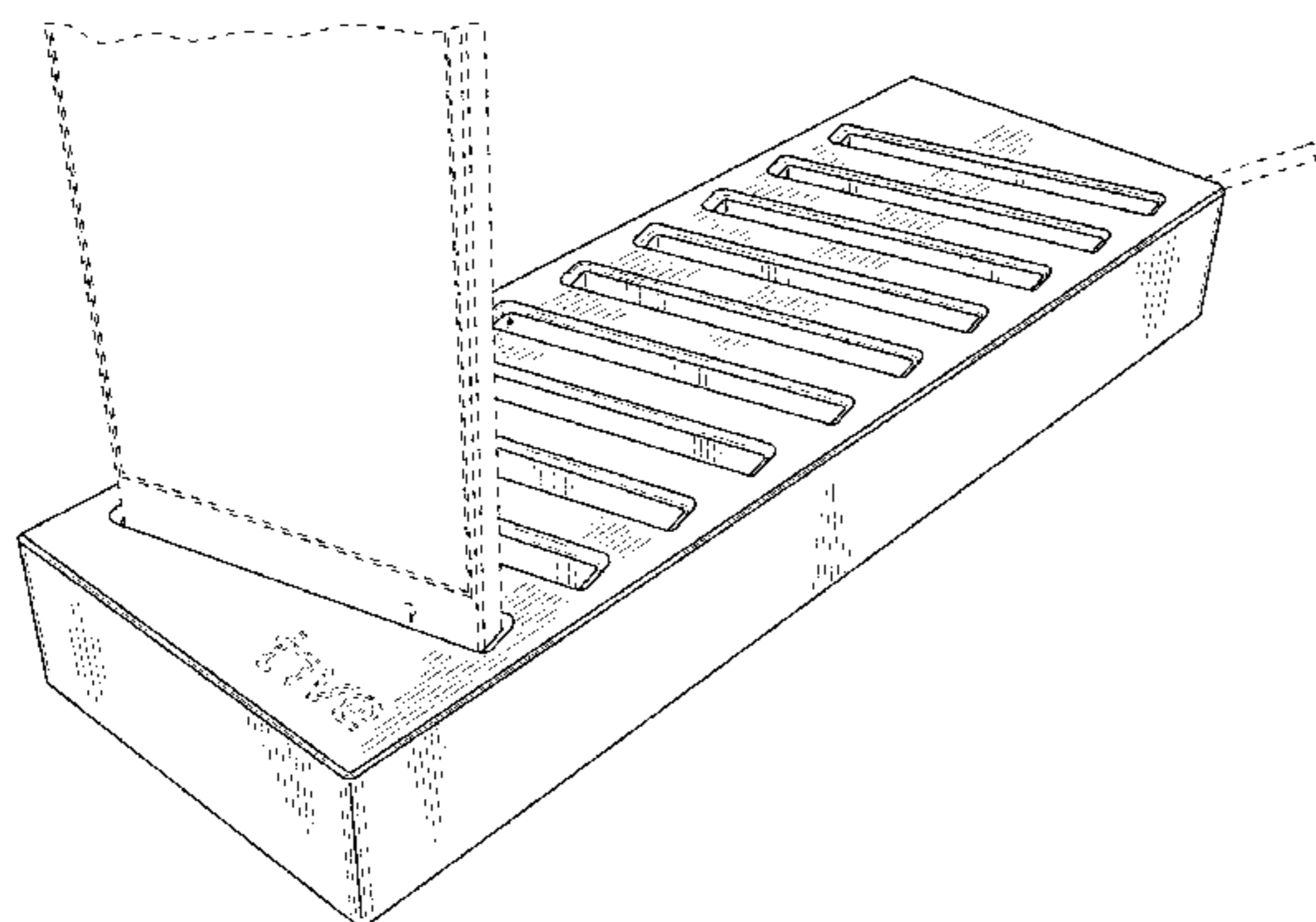
FIG. 5 is a left side view thereof;

FIG. 6 is a front view thereof; and,

FIG. 7 is a back view thereof.

The broken lines in the drawings are for the purpose of illustrating environmental subject matter and portions of the charging dock that form no part of the claimed design.

1 Claim, 4 Drawing Sheets



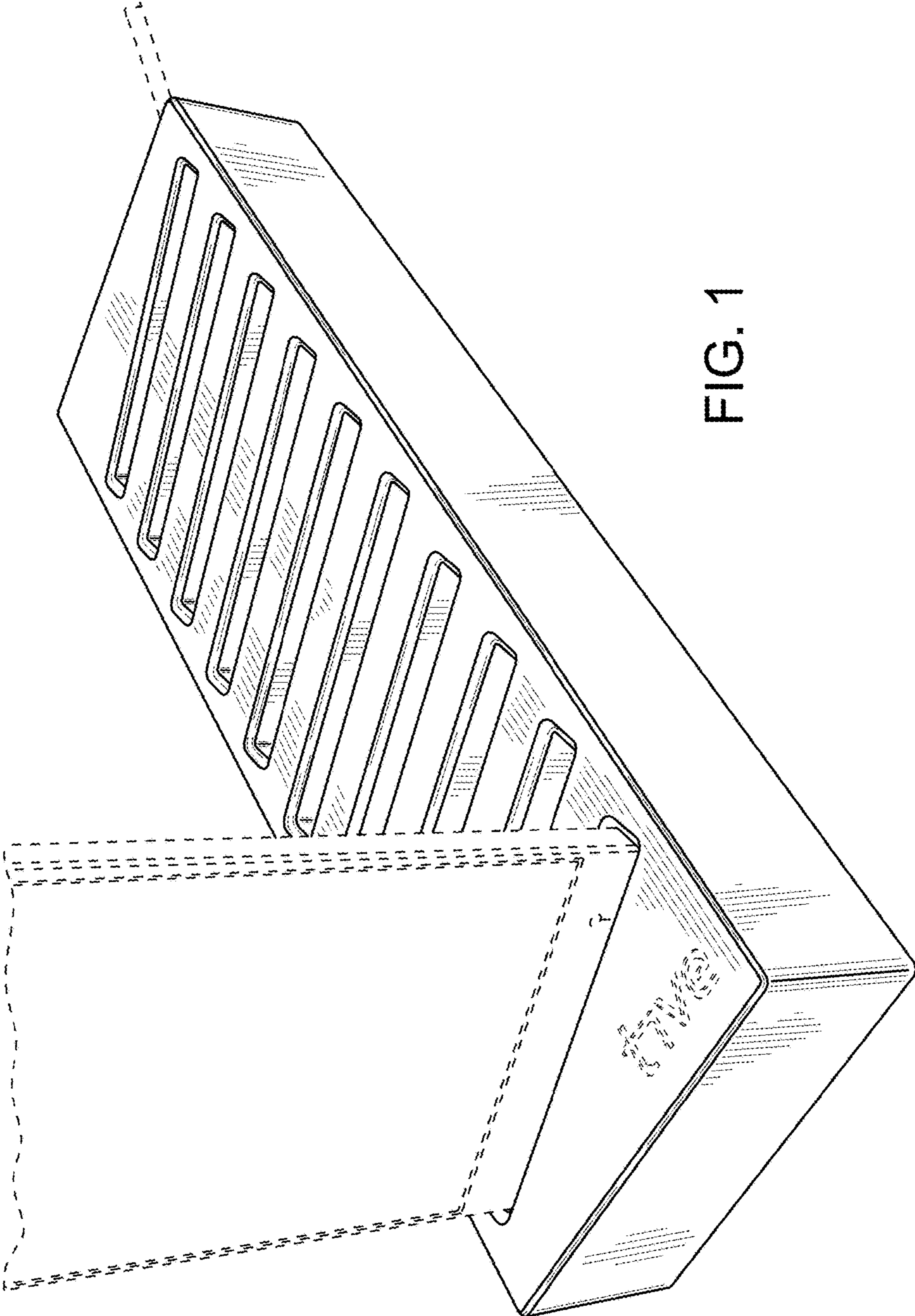


FIG. 1

FIG. 2

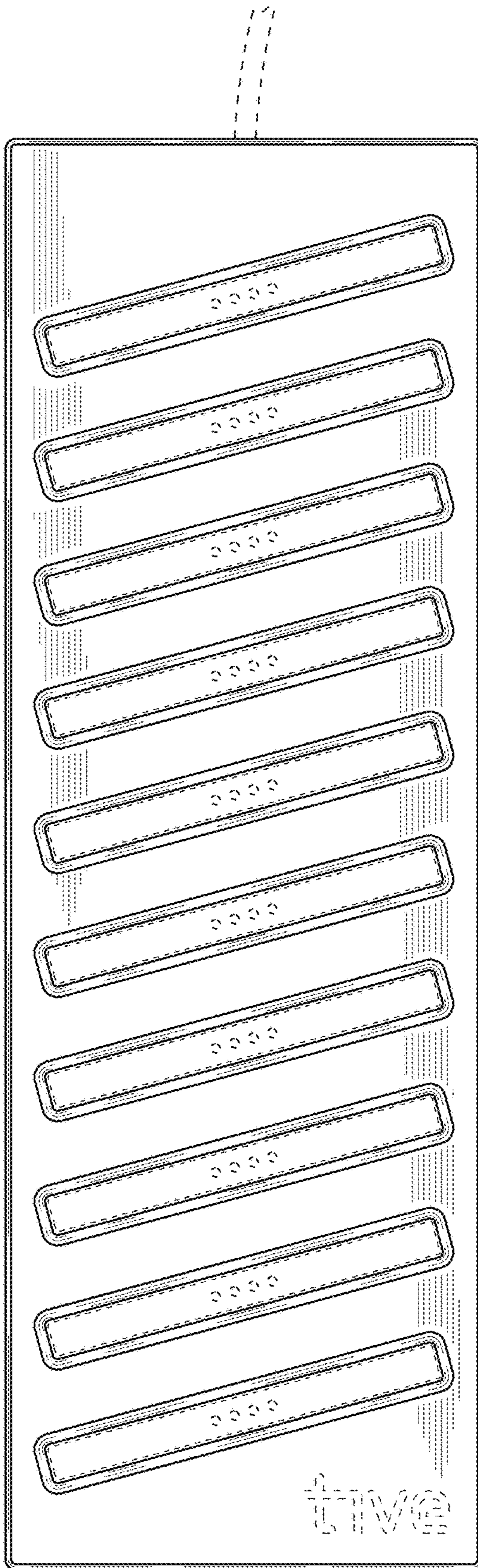
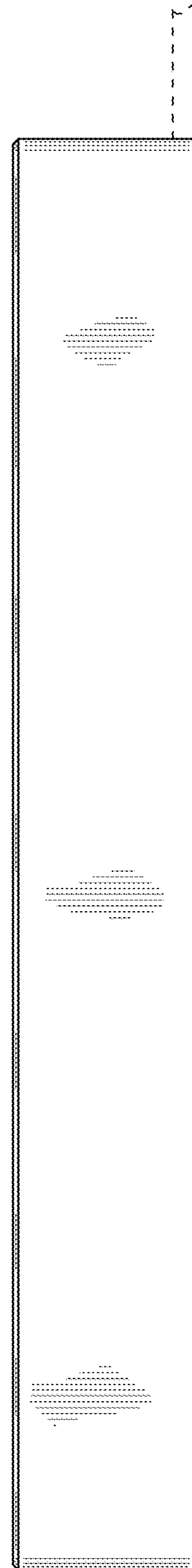


FIG. 3



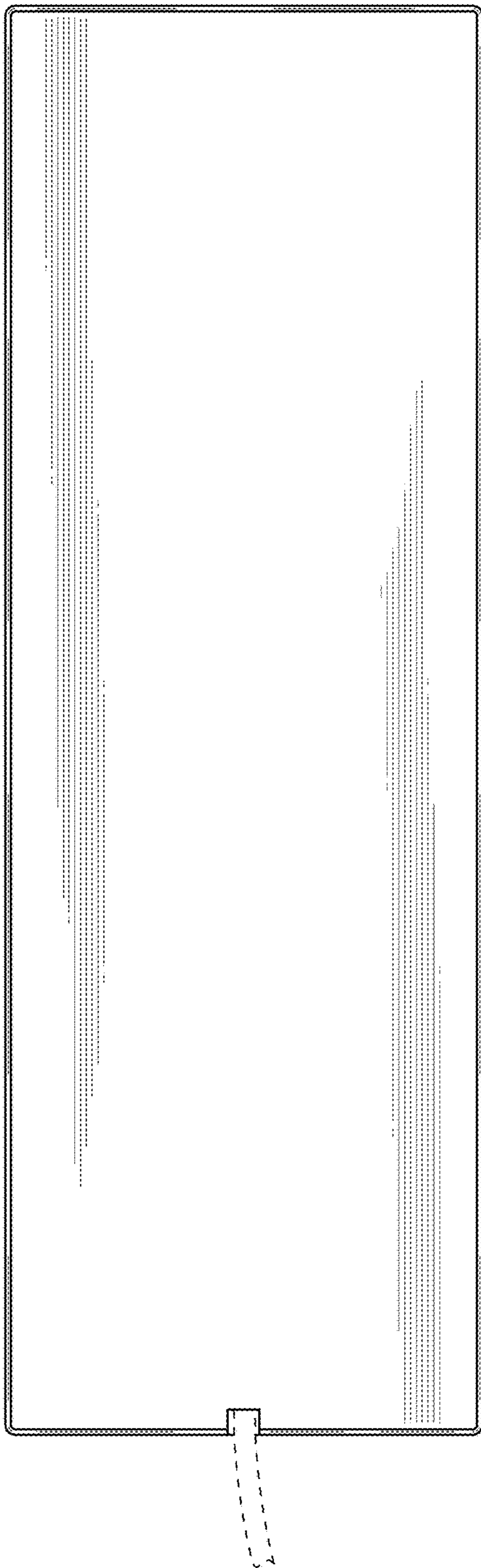


FIG. 4

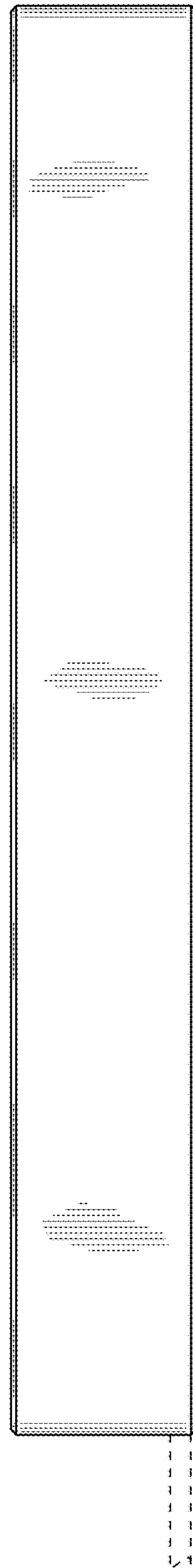


FIG. 5



FIG. 6

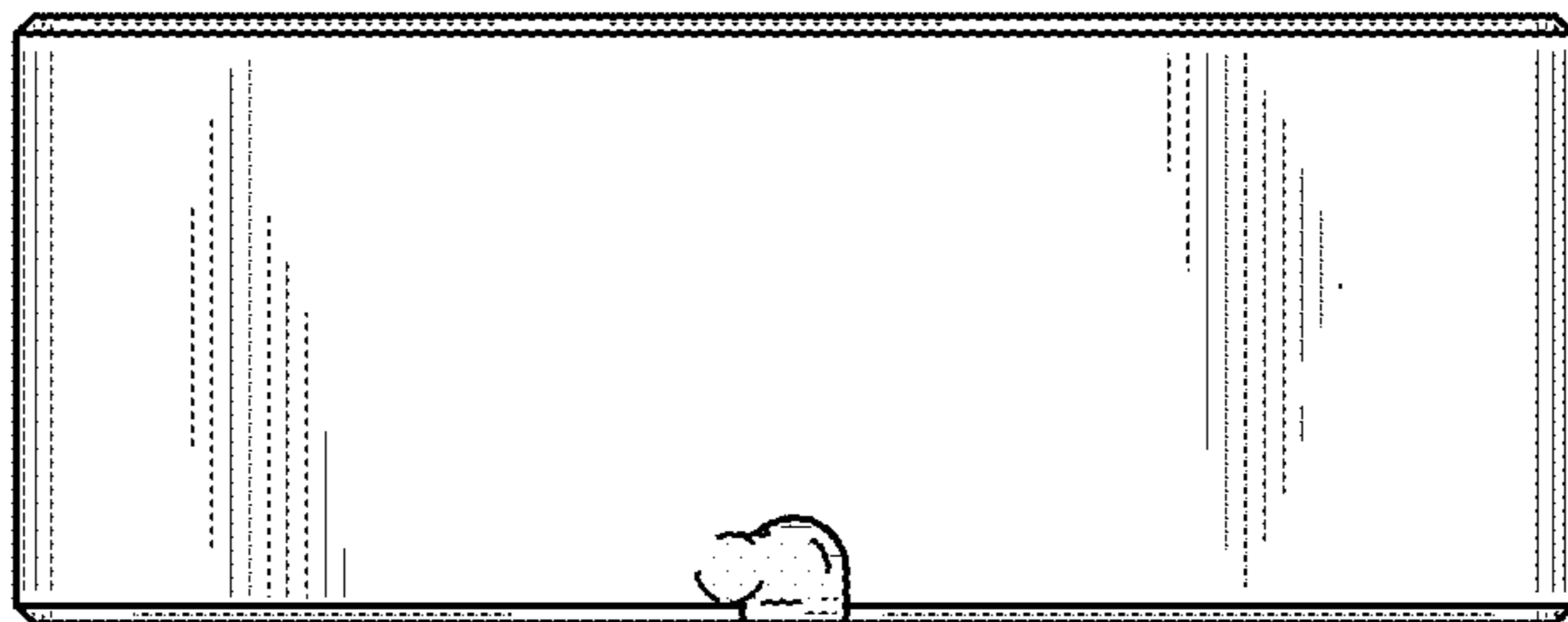


FIG. 7