



US00D823791S

(12) **United States Design Patent**  
**Xu**

(10) **Patent No.:** **US D823,791 S**  
(45) **Date of Patent:** **\*\* Jul. 24, 2018**

- (54) **JUMP STARTER**
- (71) Applicant: **Guangdong BESTEK E-commerce Co., Ltd.**, Shenzhen (CN)
- (72) Inventor: **Xinhua Xu**, Shenzhen (CN)
- (73) Assignee: **GUANGDONG BESTEK E-COMMERCE CO., LTD.**, Shenzhen (CN)

D744,420	S	*	12/2015	Chen	.....	D13/103
D762,170	S	*	7/2016	Lei	.....	D13/108
D766,821	S	*	9/2016	Chan	.....	D13/107
D770,976	S	*	11/2016	Xu	.....	D13/110
D786,192	S	*	5/2017	Liu	.....	D13/107
D786,790	S	*	5/2017	Miller	.....	D13/108
D797,044	S	*	9/2017	Miller	.....	D13/108
D798,812	S	*	10/2017	Xu	.....	D13/110
2016/0359352	A1	*	12/2016	Chiu	.....	H02J 7/0047
2017/0012448	A1	*	1/2017	Miller	.....	H02J 7/0031

(\*\*) Term: **15 Years**

(21) Appl. No.: **29/579,678**

(22) Filed: **Oct. 1, 2016**

(51) **LOC (11) Cl.** ..... **13-02**

(52) **U.S. Cl.**  
USPC ..... **D13/107**

(58) **Field of Classification Search**  
 USPC ..... D13/102-110, 118-119, 184; D14/251, D14/253, 432, 434; D15/9  
 CPC ..... Y02E 60/12; Y02T 90/14; Y02T 90/122; Y02T 90/128; Y02T 90/163; Y02T 10/7005; Y02T 10/705; Y02T 10/7088; H02J 7/025; H02J 7/0042; H02J 7/0044; H02J 7/0045; H02J 7/0003; H02J 7/0034; H02J 7/0054; H02J 7/1423; H02J 2001/006; H01F 38/14; H01R 13/6675; H01M 2/1022; H01M 2/1055; H01M 10/44; H01M 10/46; H01M 10/425; B60L 11/182

See application file for complete search history.

(56) **References Cited**

**U.S. PATENT DOCUMENTS**

D696,189	S	*	12/2013	Muto	.....	D13/108
D698,311	S	*	1/2014	Salzman	.....	D13/108
D705,724	S	*	5/2014	Yu	.....	D13/108

**OTHER PUBLICATIONS**

Bestek 600A Car Jump Starter, published on Apr. 30, 2016 on youtube.com, retrieved on Oct. 16, 2017, retrieved from the Internet URL: <https://www.youtube.com/watch?v=dkNuy2ol3bl>.\*

\* cited by examiner

*Primary Examiner* — Rosemary K Tarcza  
*Assistant Examiner* — Alison M Ofstun

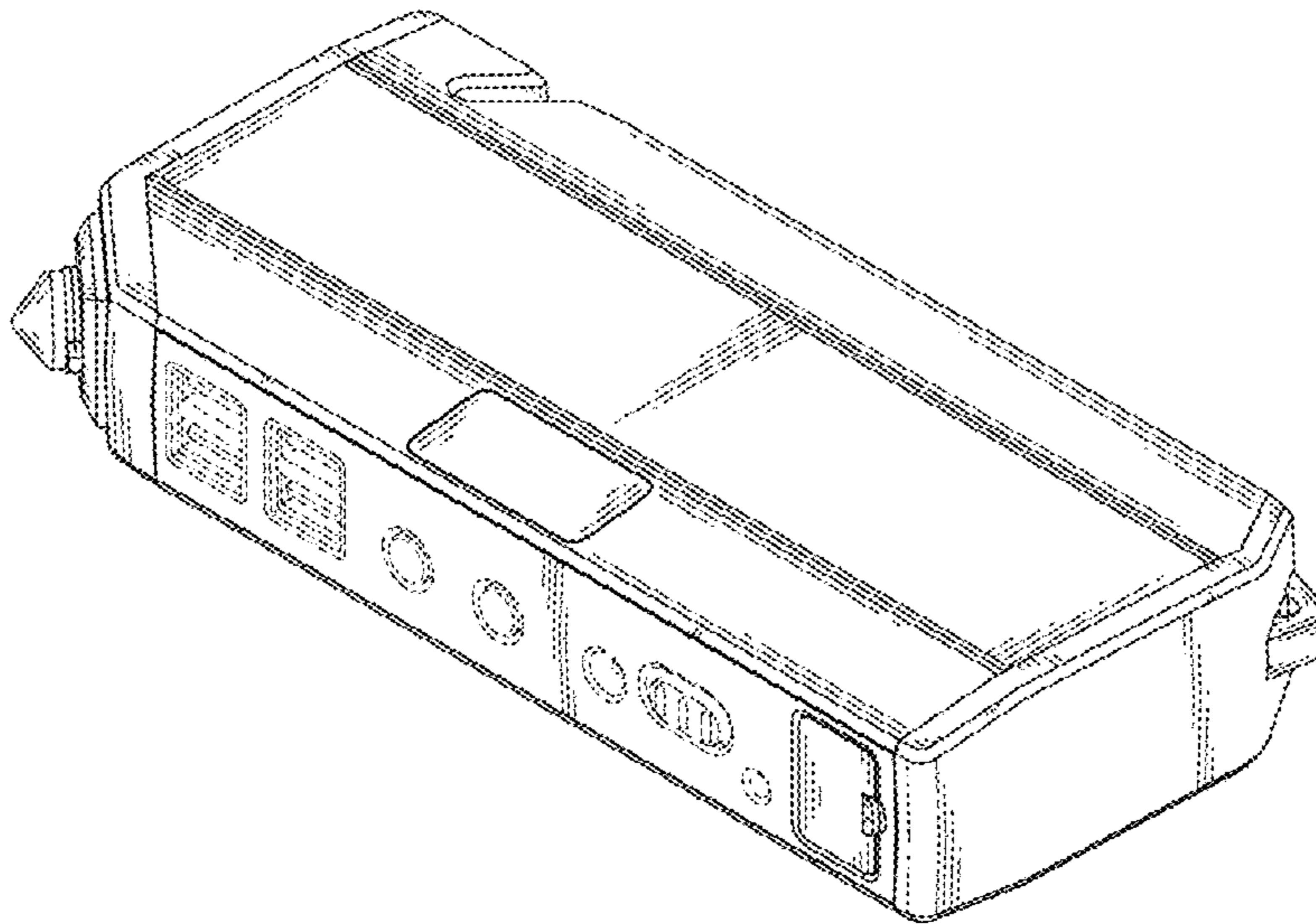
(57) **CLAIM**

The ornamental design for a jump starter, as shown and described.

**DESCRIPTION**

FIG. 1 is a perspective view of a jump starter showing my new design;  
 FIG. 2 is a front elevational view thereof;  
 FIG. 3 is a rear elevational view thereof;  
 FIG. 4 is a left side elevational view thereof;  
 FIG. 5 is a right side elevational view thereof;  
 FIG. 6 is a top plan view thereof; and,  
 FIG. 7 is a bottom plan view thereof.  
 The broken lines present in the drawings are for the purposes of illustrating portions of the article which form no part of the claimed design.

**1 Claim, 7 Drawing Sheets**



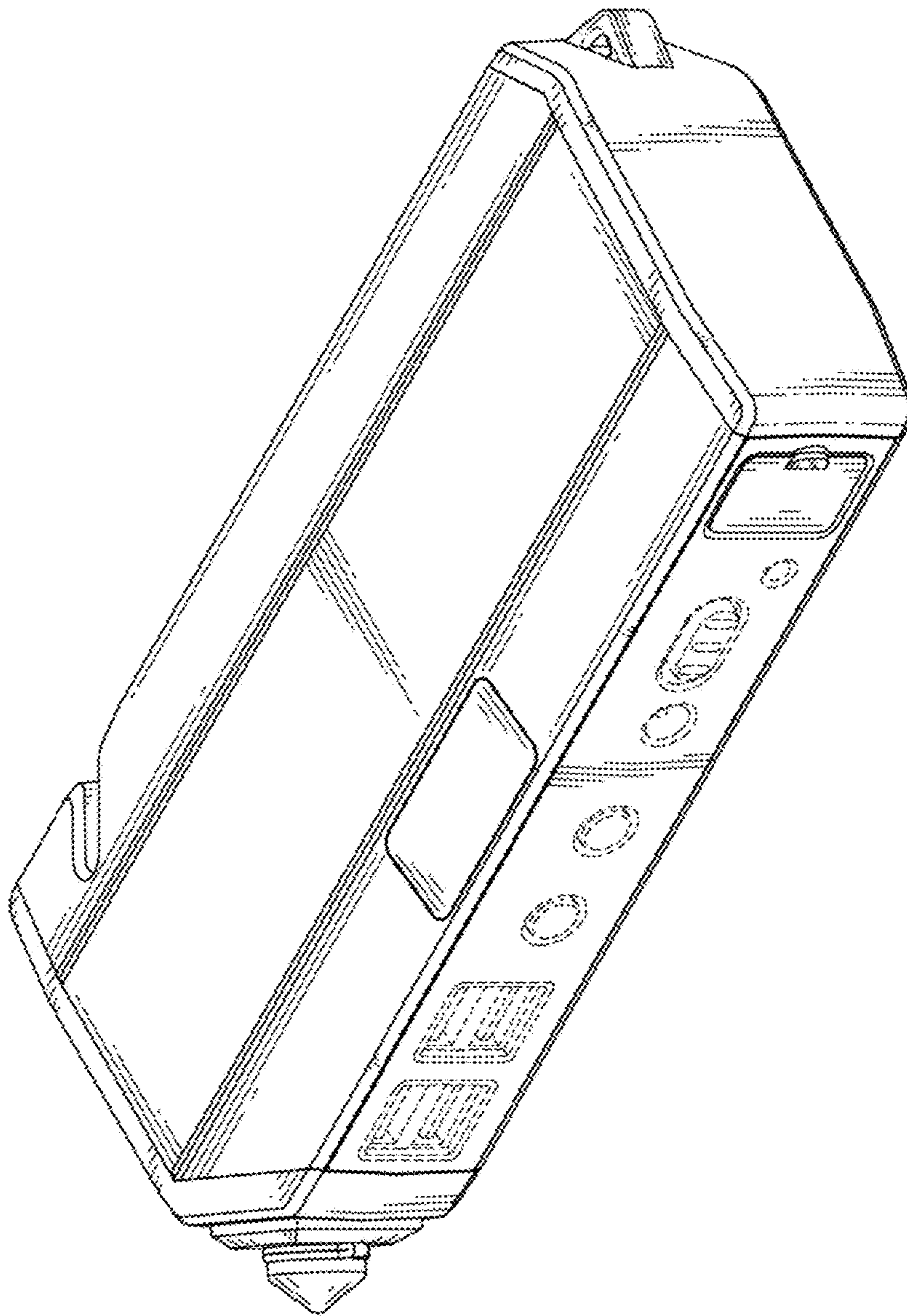


FIG. 1

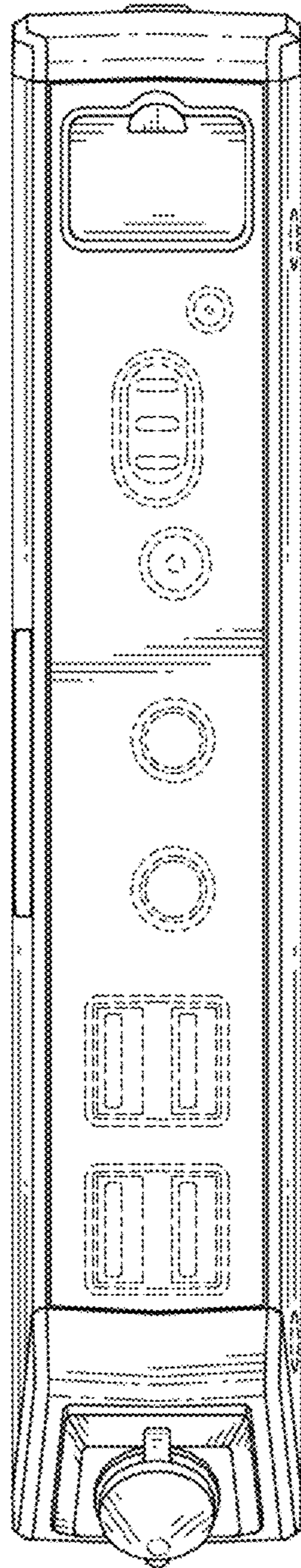


FIG. 2



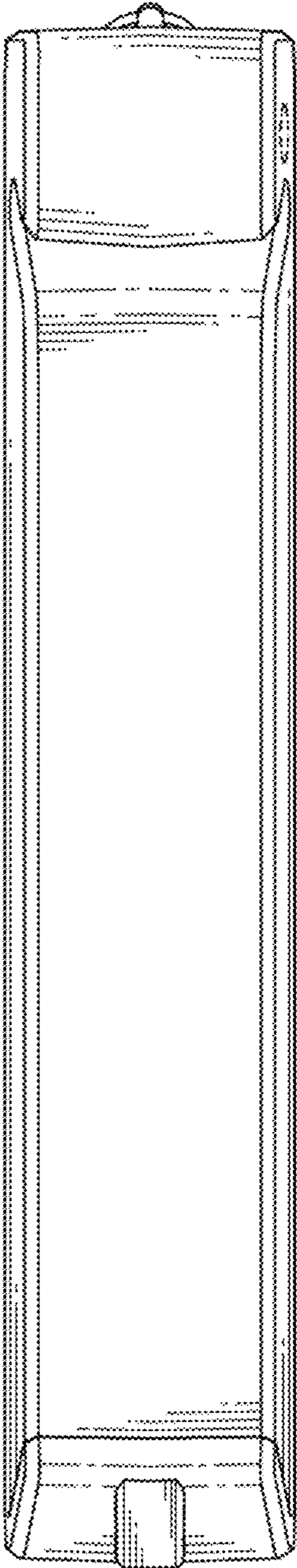


FIG. 3

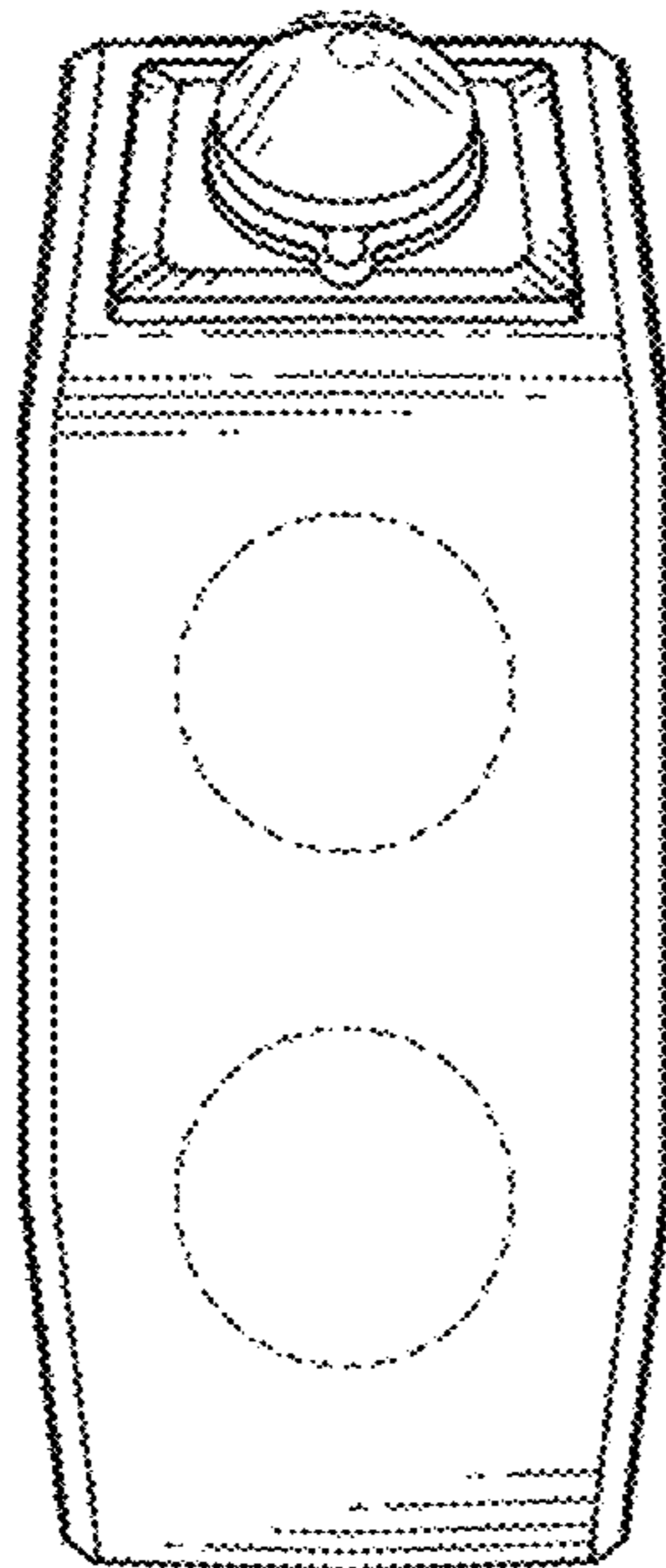


FIG. 4

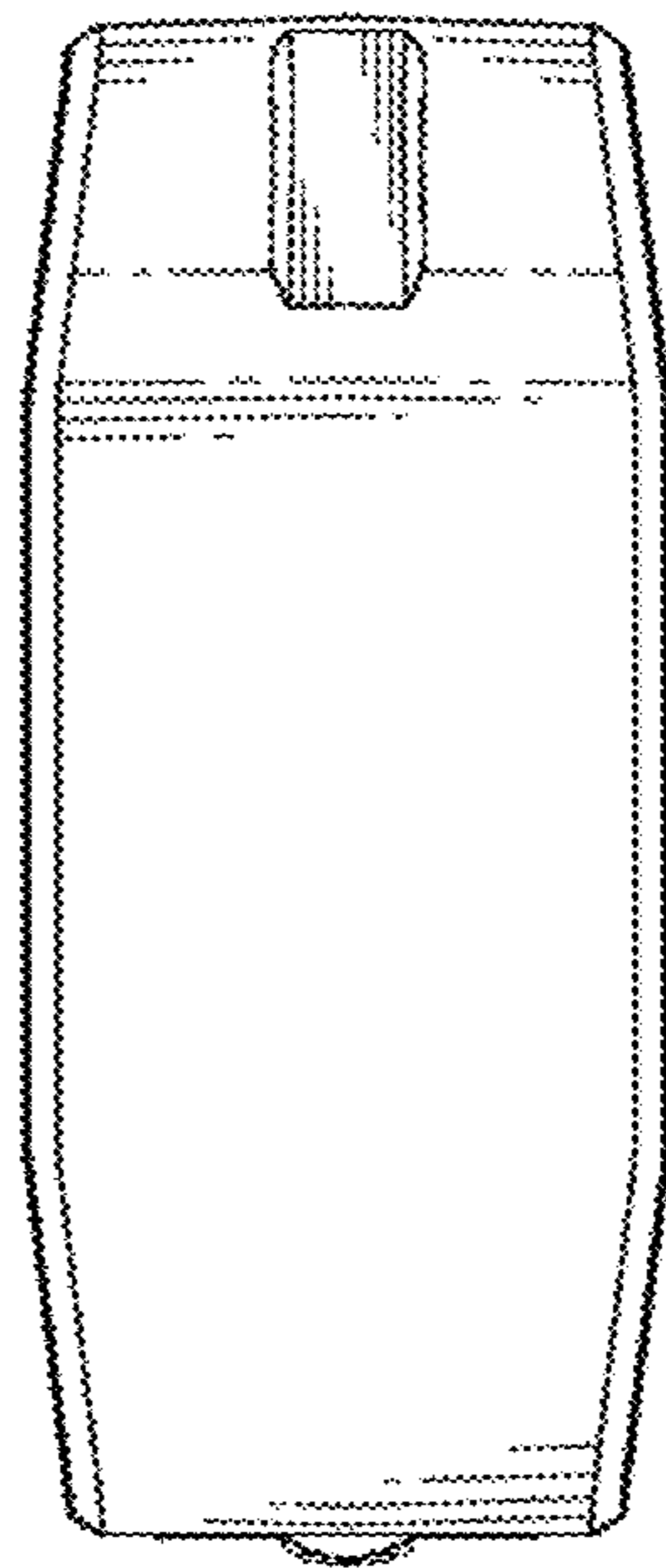


FIG. 5

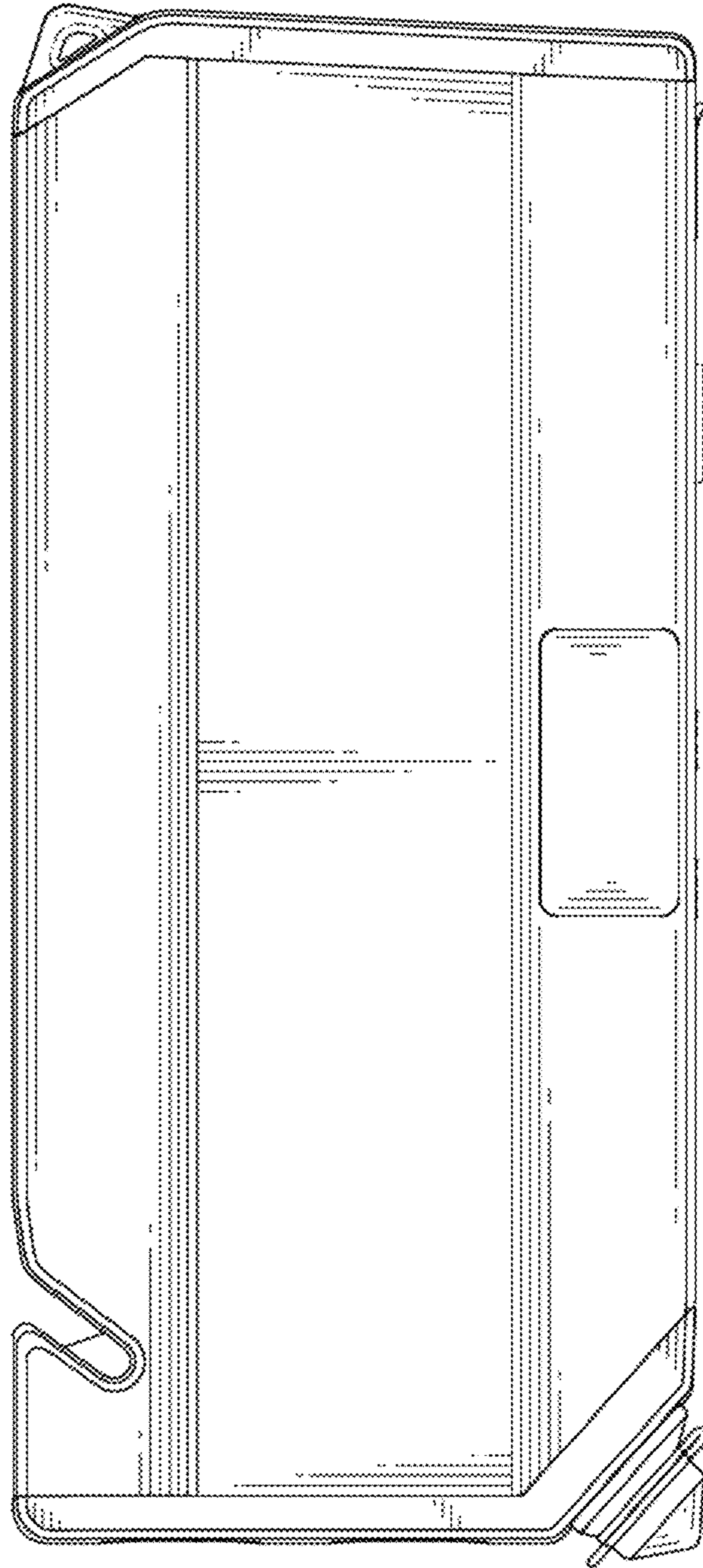


FIG. 6

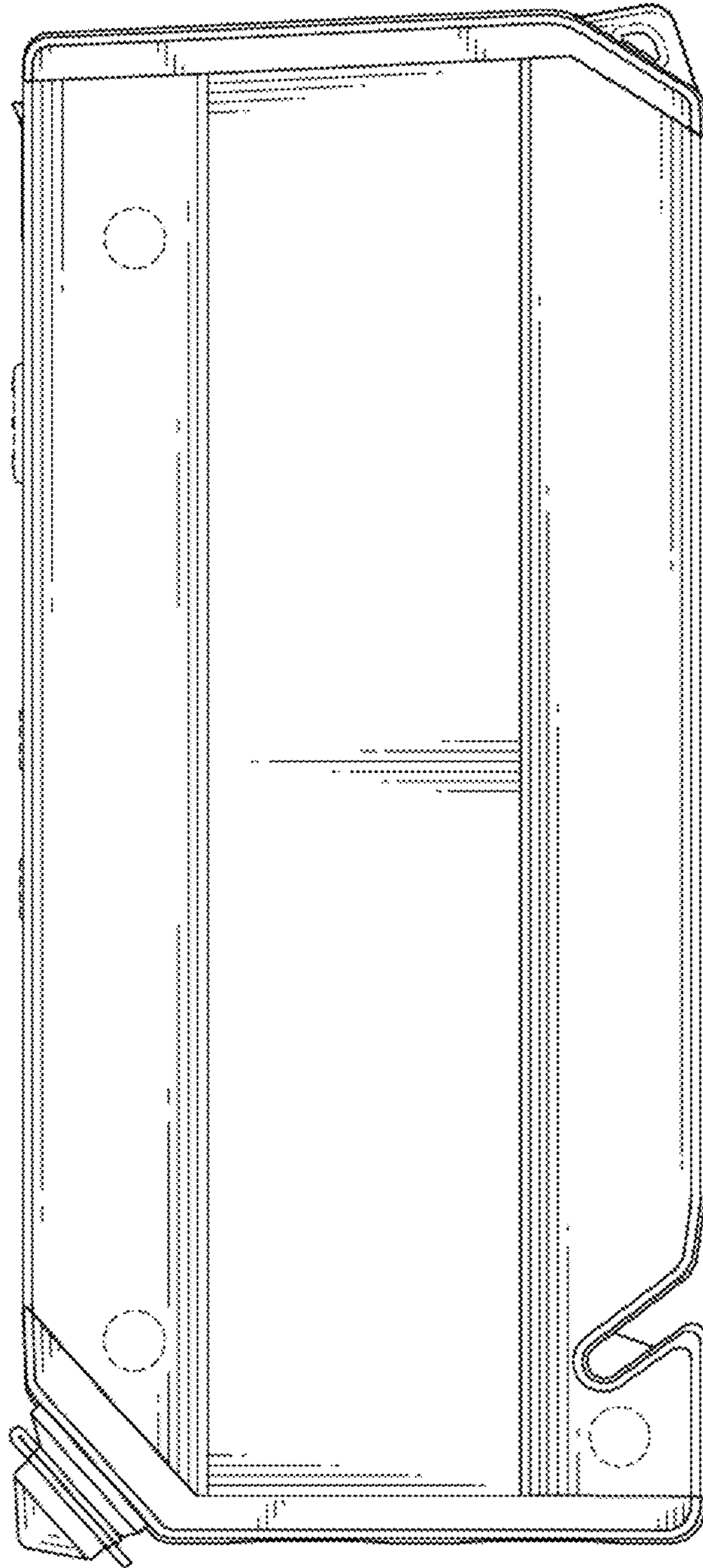


FIG. 7