



US00D823790S

(12) **United States Design Patent**
Ratner et al.

(10) **Patent No.:** **US D823,790 S**
(45) **Date of Patent:** **** *Jul. 24, 2018**

(54) **CHARGER**

(71) Applicant: **eURBAN, LLC**, Santa Monica, CA (US)
(72) Inventors: **Donald Gary Ratner**, Marina Del Rey, CA (US); **Alan Edward Shapiro**, Pacific Palisades, CA (US); **Dale Gregory Seiden**, Marina Del Rey, CA (US)
(73) Assignee: **OjO Electric LLC**, Santa Monica, CA (US)

(*) Notice: This patent is subject to a terminal disclaimer.

(**) Term: **15 Years**

(21) Appl. No.: **29/571,036**

(22) Filed: **Jul. 14, 2016**

(51) **LOC (11) Cl.** **13-02**

(52) **U.S. Cl.**
USPC **D13/107**

(58) **Field of Classification Search**
USPC D13/102–110, 118–119, 184, 199;
D14/251, 253, 432, 434
CPC Y02E 60/12; Y02T 90/14; Y02T 90/122;
Y02T 90/128; Y02T 90/163; H02J 7/025;
H02J 7/0042; H02J 7/0045; H02J 7/0003;
H01F 38/14; H01R 13/6675; H01M
2/1022; H01M 2/1055; H01M 10/44;
H01M 10/46; H01M 10/425; B60L
11/182
See application file for complete search history.

(56) **References Cited**

U.S. PATENT DOCUMENTS

5,019,767 A * 5/1991 Shirai H01M 2/105
224/902
D511,743 S * 11/2005 Hriscu D13/107

D546,352 S * 7/2007 Tsou D15/143
D549,663 S * 8/2007 Tsou D13/147
D575,225 S * 8/2008 Ahlgren D13/107
D580,853 S * 11/2008 Ahlgren D13/107
D617,267 S * 6/2010 Li D13/107
D657,310 S * 4/2012 Fahrendorff D13/110
D664,501 S * 7/2012 Inskeep D13/107
D694,180 S * 11/2013 Inskeep D13/107
D744,942 S * 12/2015 Bates D13/107
D744,943 S * 12/2015 Bates D13/107
D792,354 S * 7/2017 Lin D13/162

* cited by examiner

Primary Examiner — Rosemary K Tarcza

Assistant Examiner — Alison M Ofstun

(74) *Attorney, Agent, or Firm* — Lance M. Pritikin

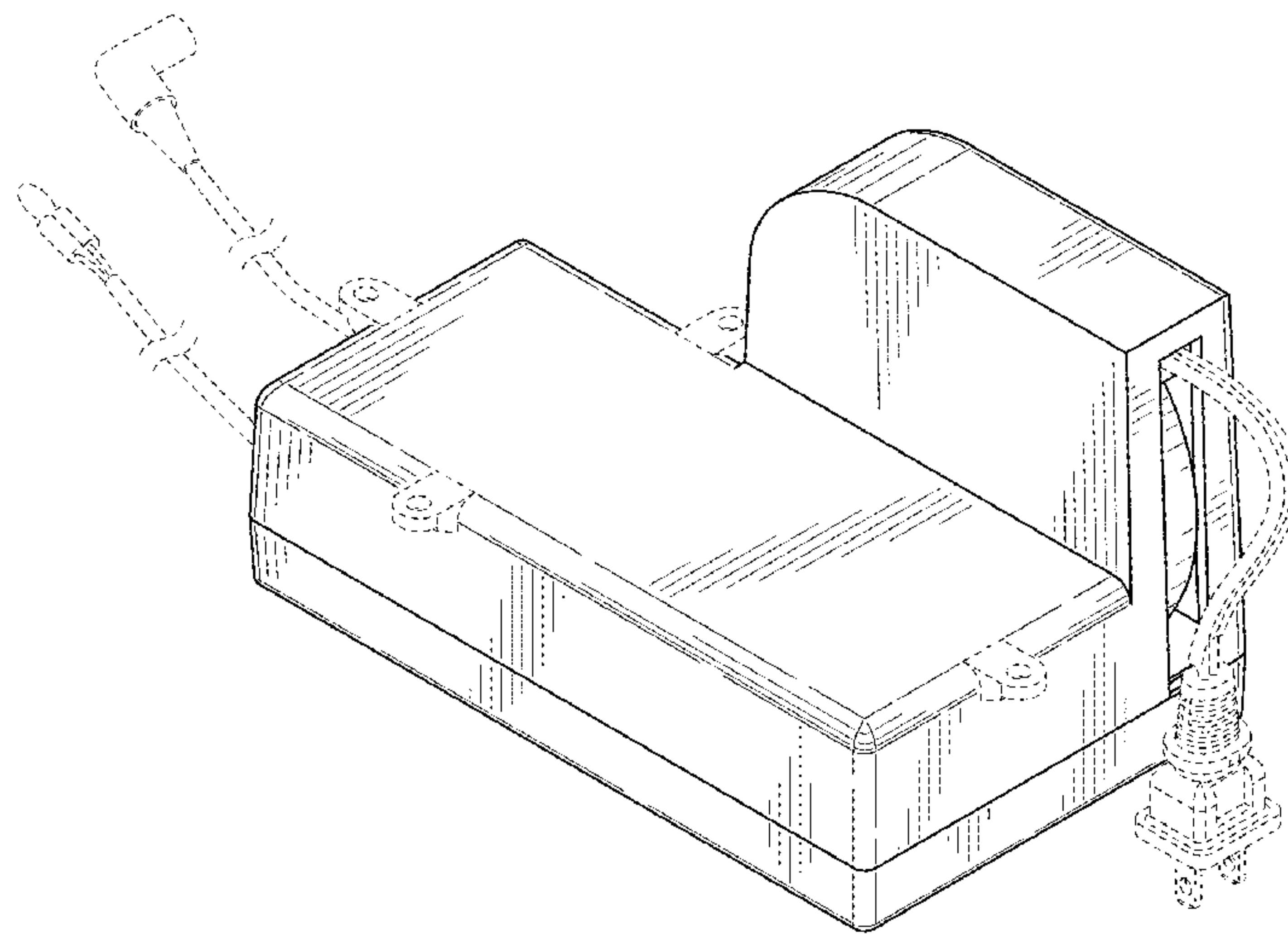
(57) **CLAIM**

The ornamental design for a charger, as shown and described.

DESCRIPTION

FIG. 1 is a top-front perspective view of a charger, showing our new design;
FIG. 2 is a right side elevational view thereof;
FIG. 3 is a left side elevational view thereof;
FIG. 4 is a front elevational view thereof, shown with environmental subject matter removed for ease of illustration;
FIG. 5 is a rear elevational view thereof;
FIG. 6 is a top plan view thereof;
FIG. 7 is a bottom plan view thereof; and,
FIG. 8 is a bottom-rear perspective view thereof.
The broken lines present in the drawings are included for the purpose of illustrating portions of the article or environmental subject matter which form no part of the claimed design.

1 Claim, 4 Drawing Sheets



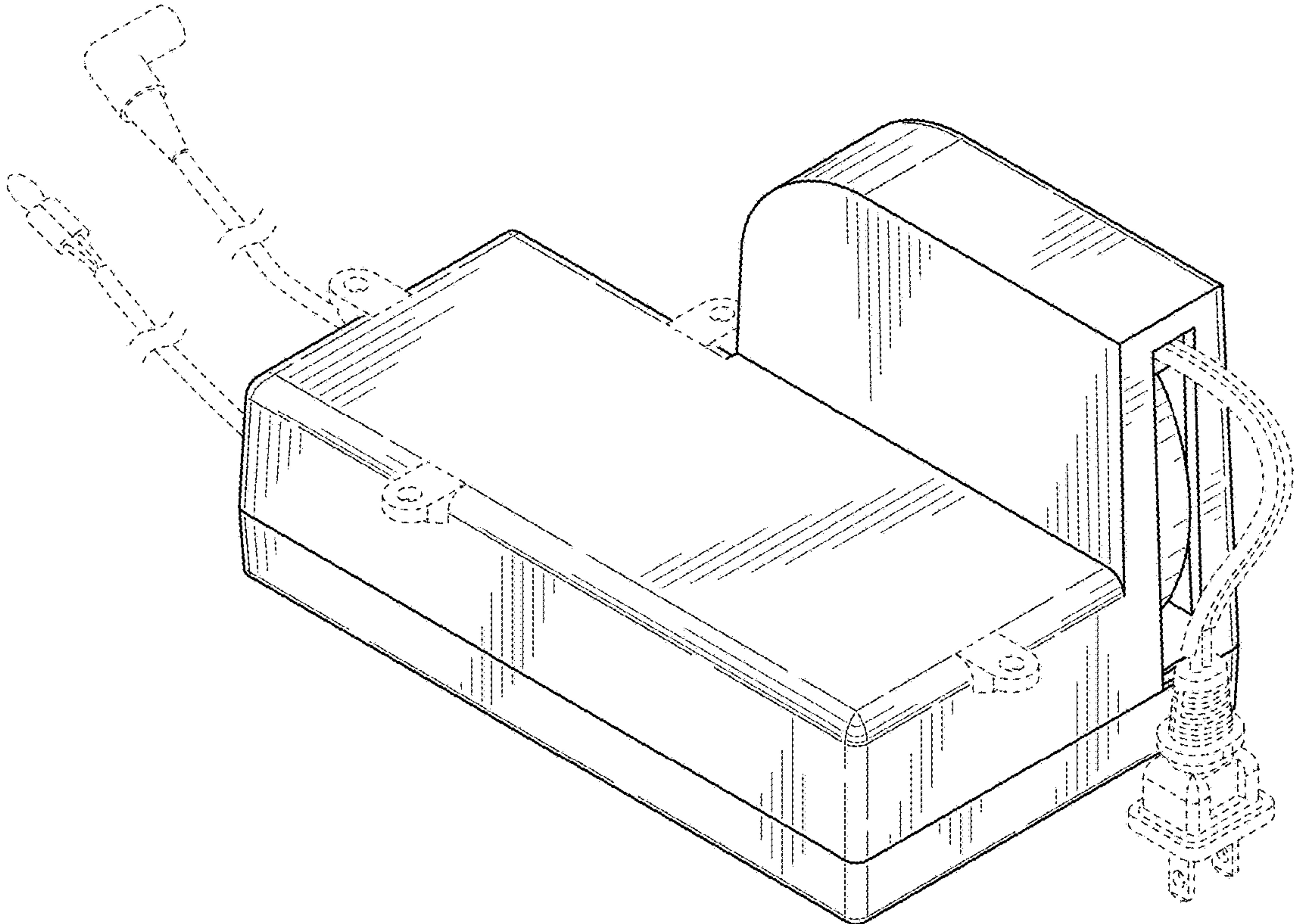


FIG. 1

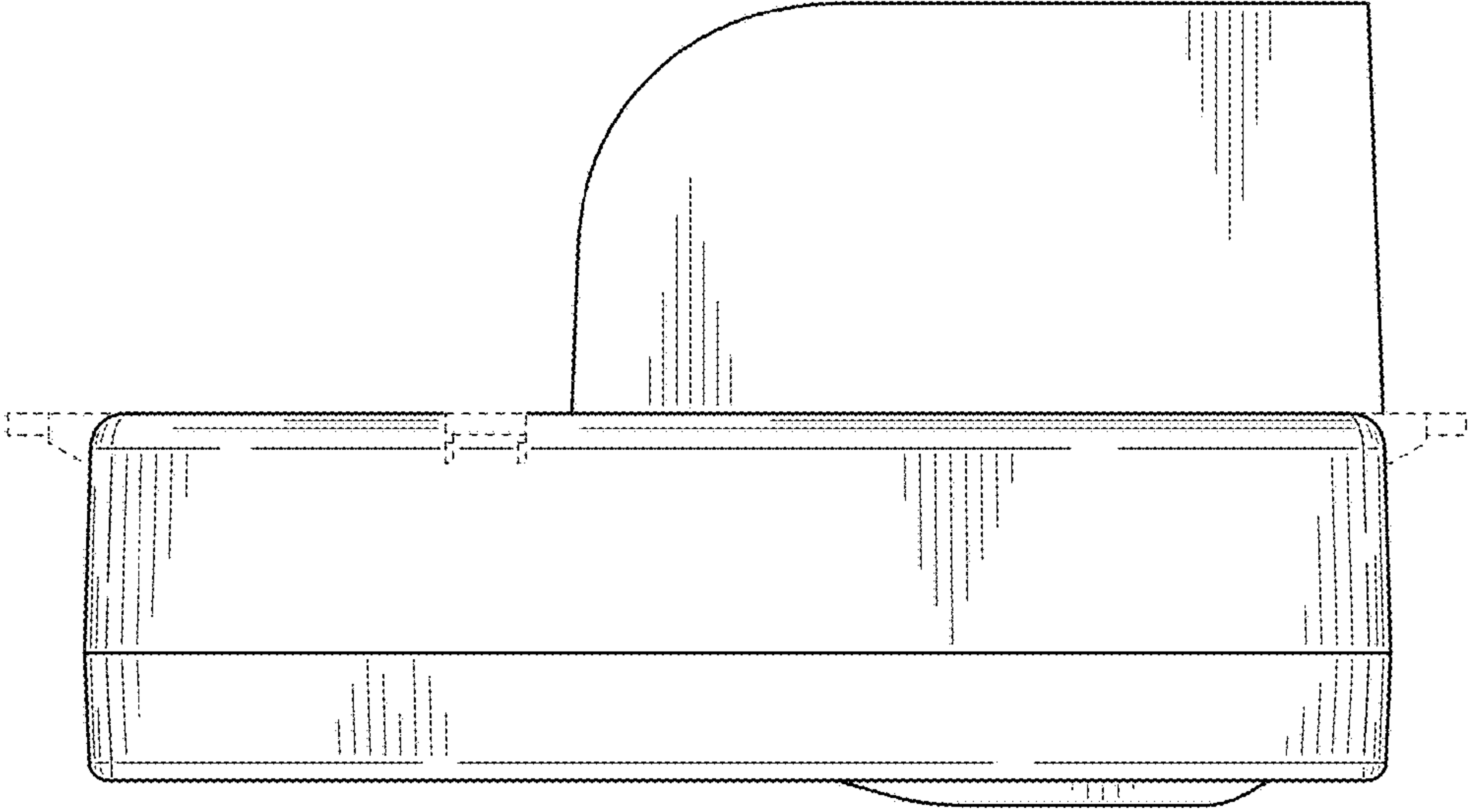


FIG. 2

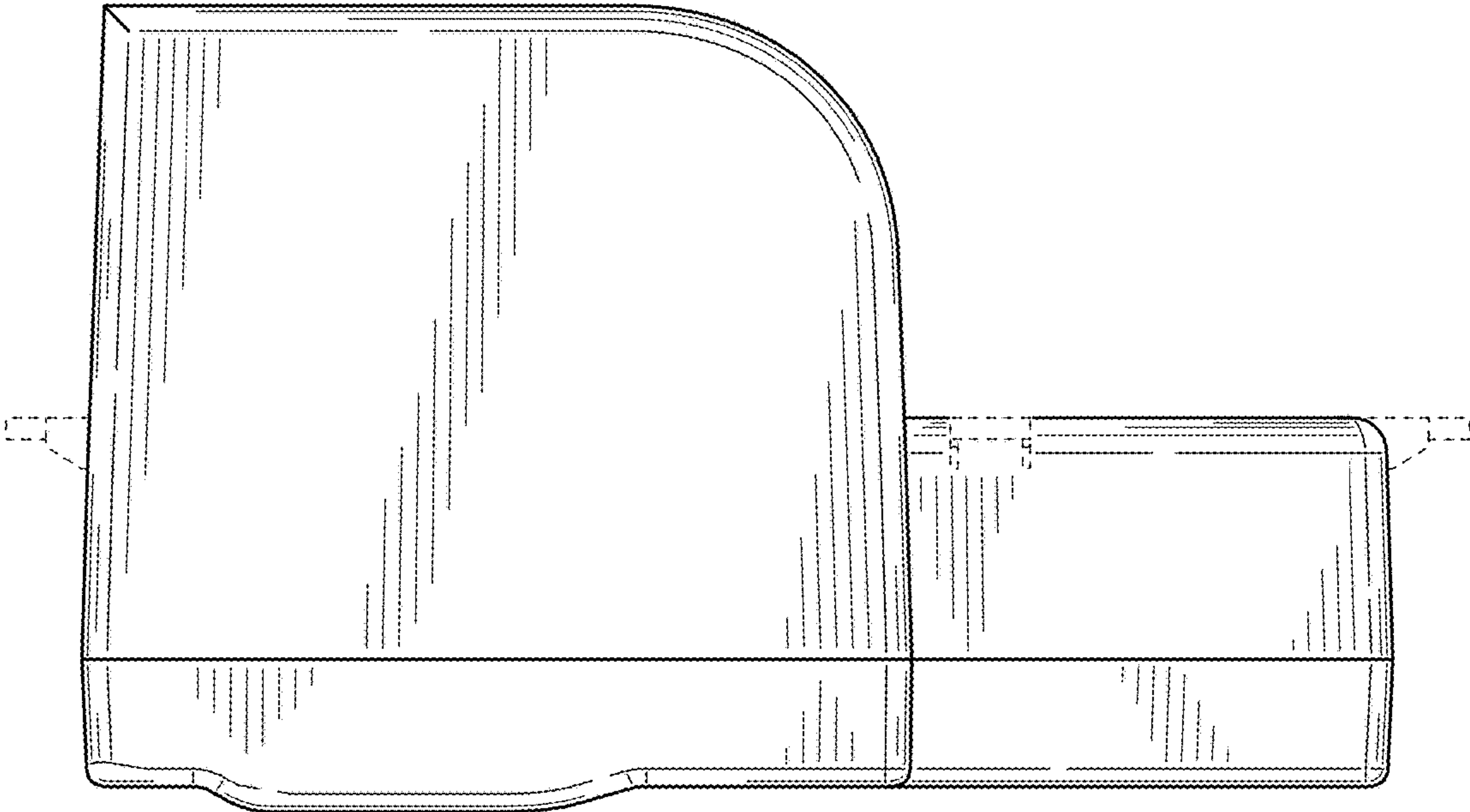


FIG. 3

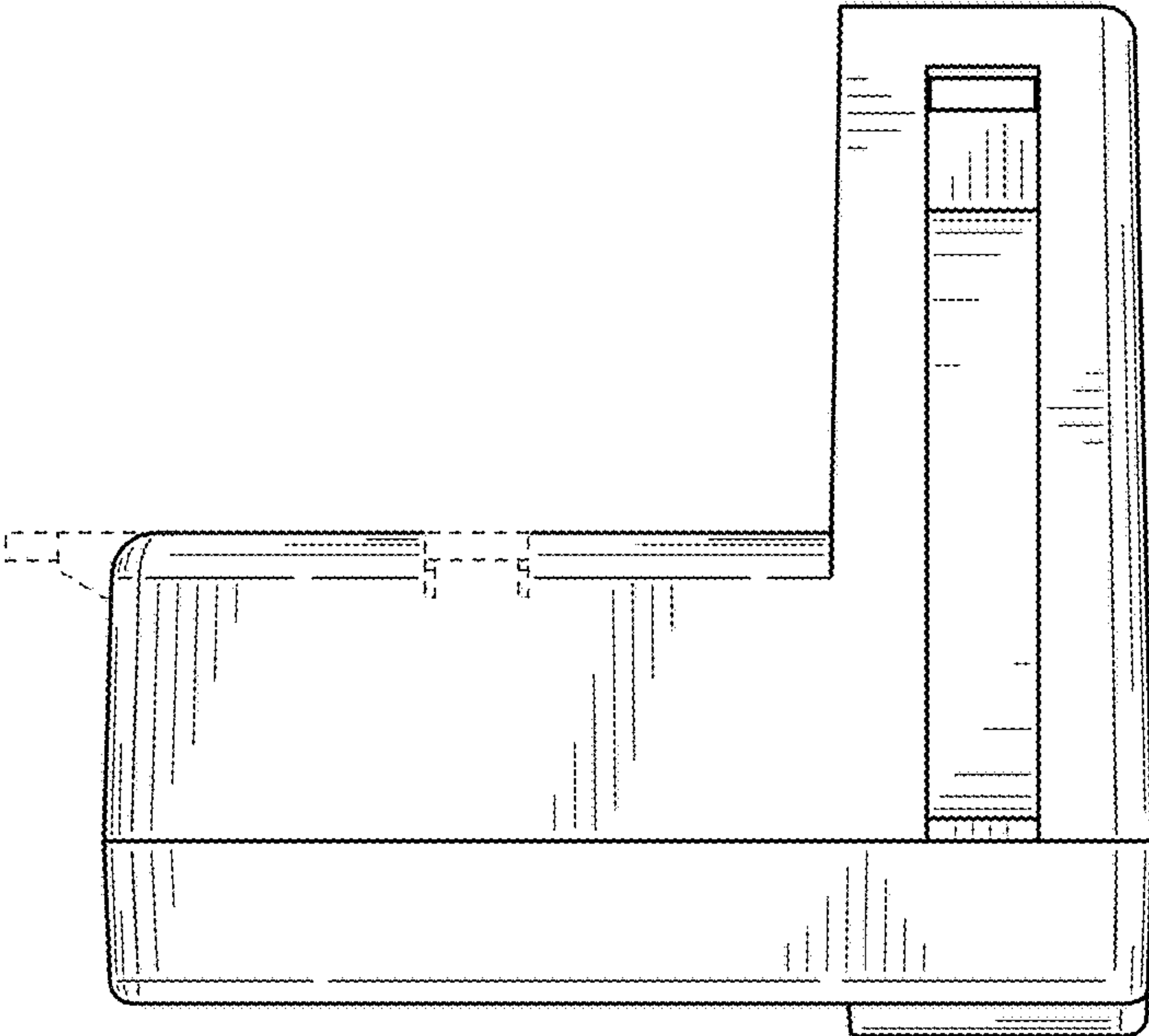


FIG. 4

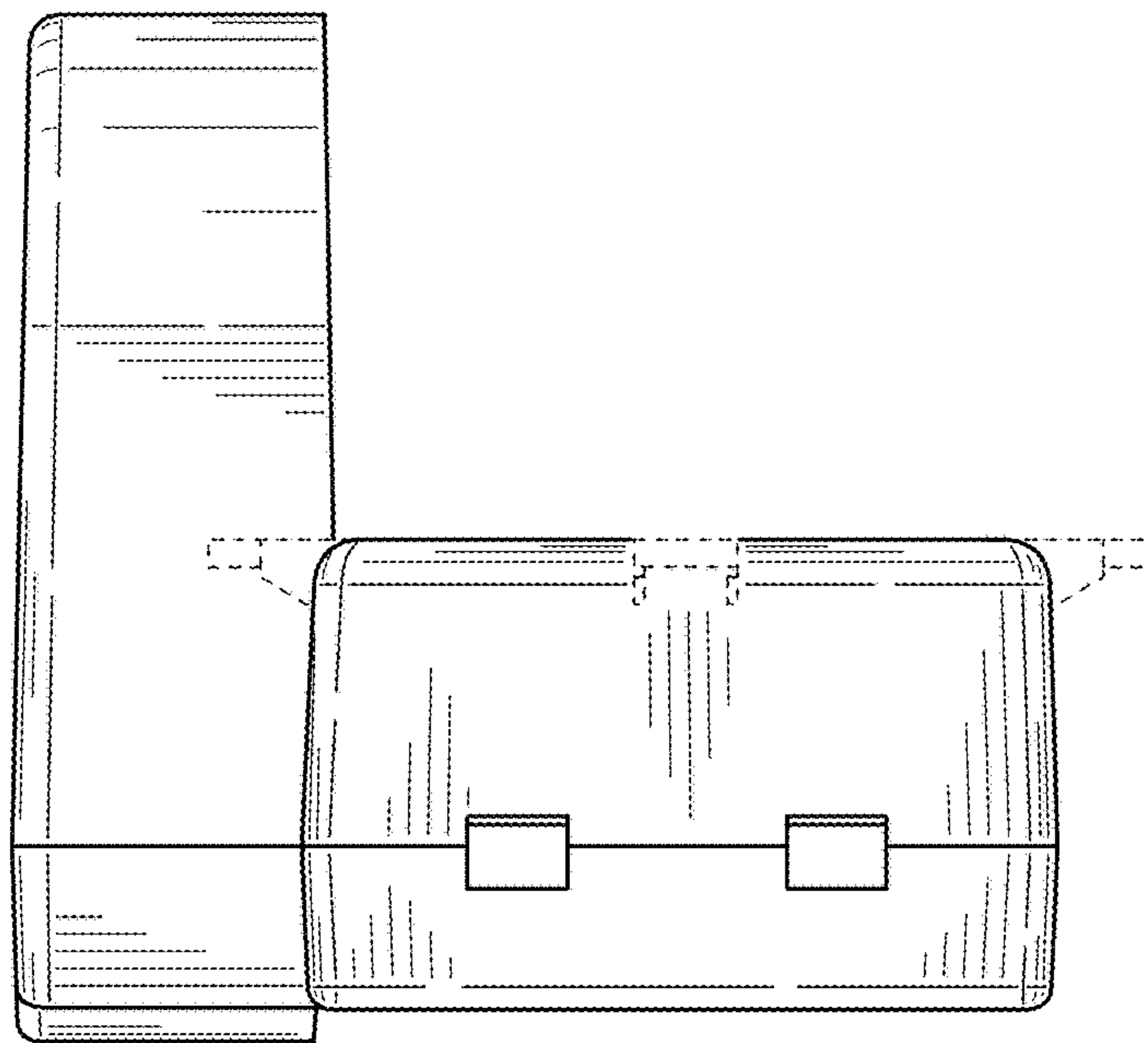


FIG. 5

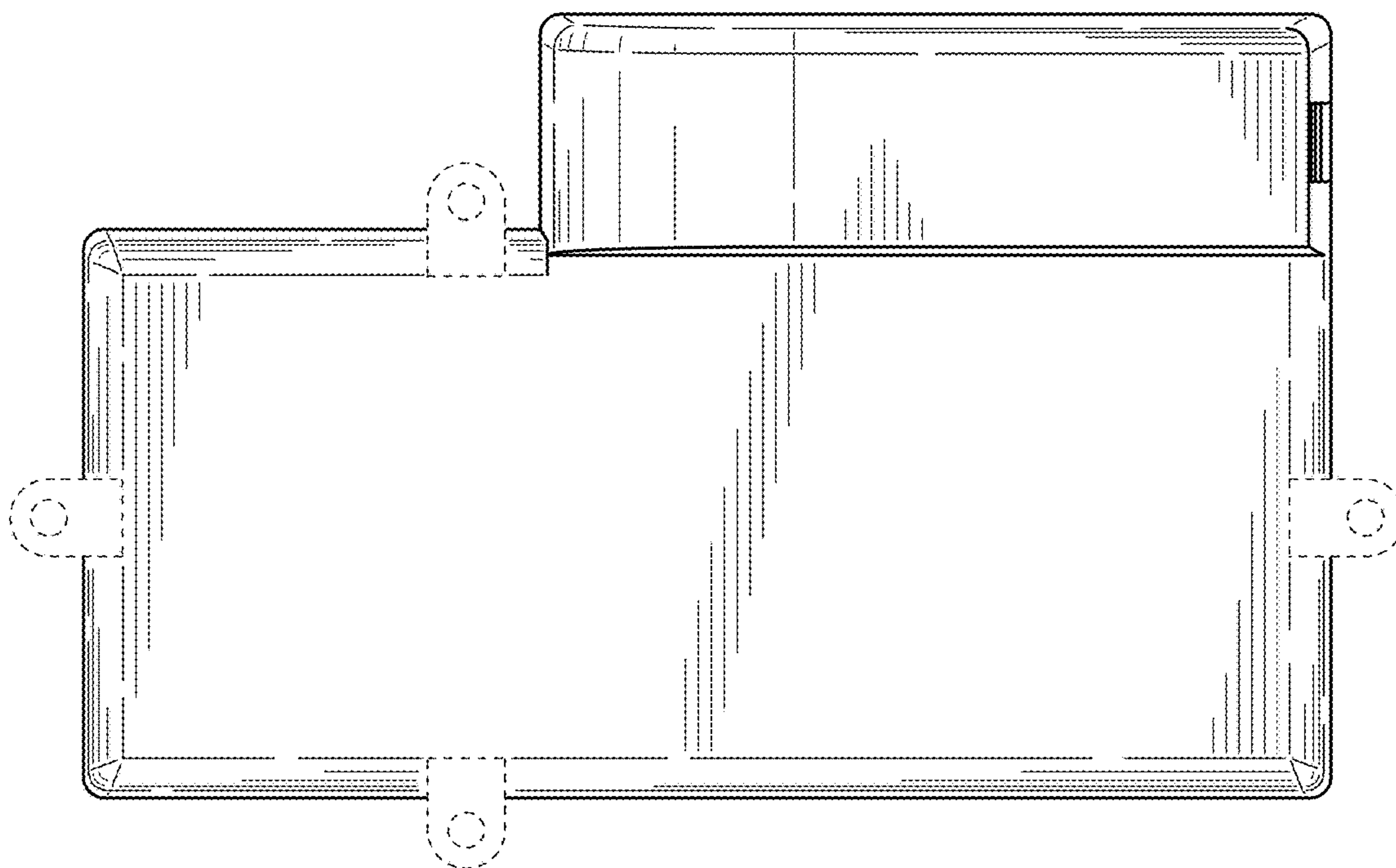


FIG. 6

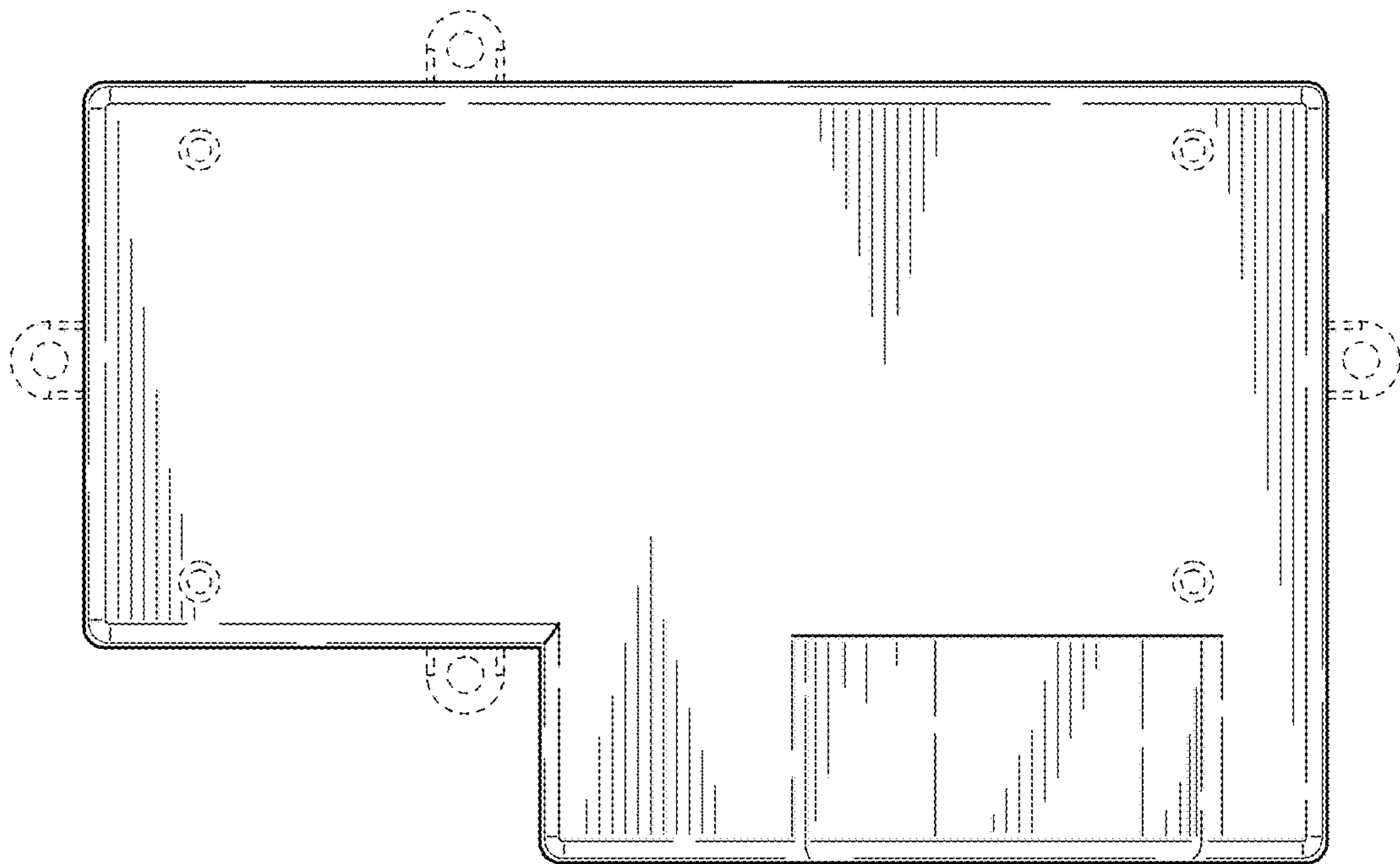


FIG. 7

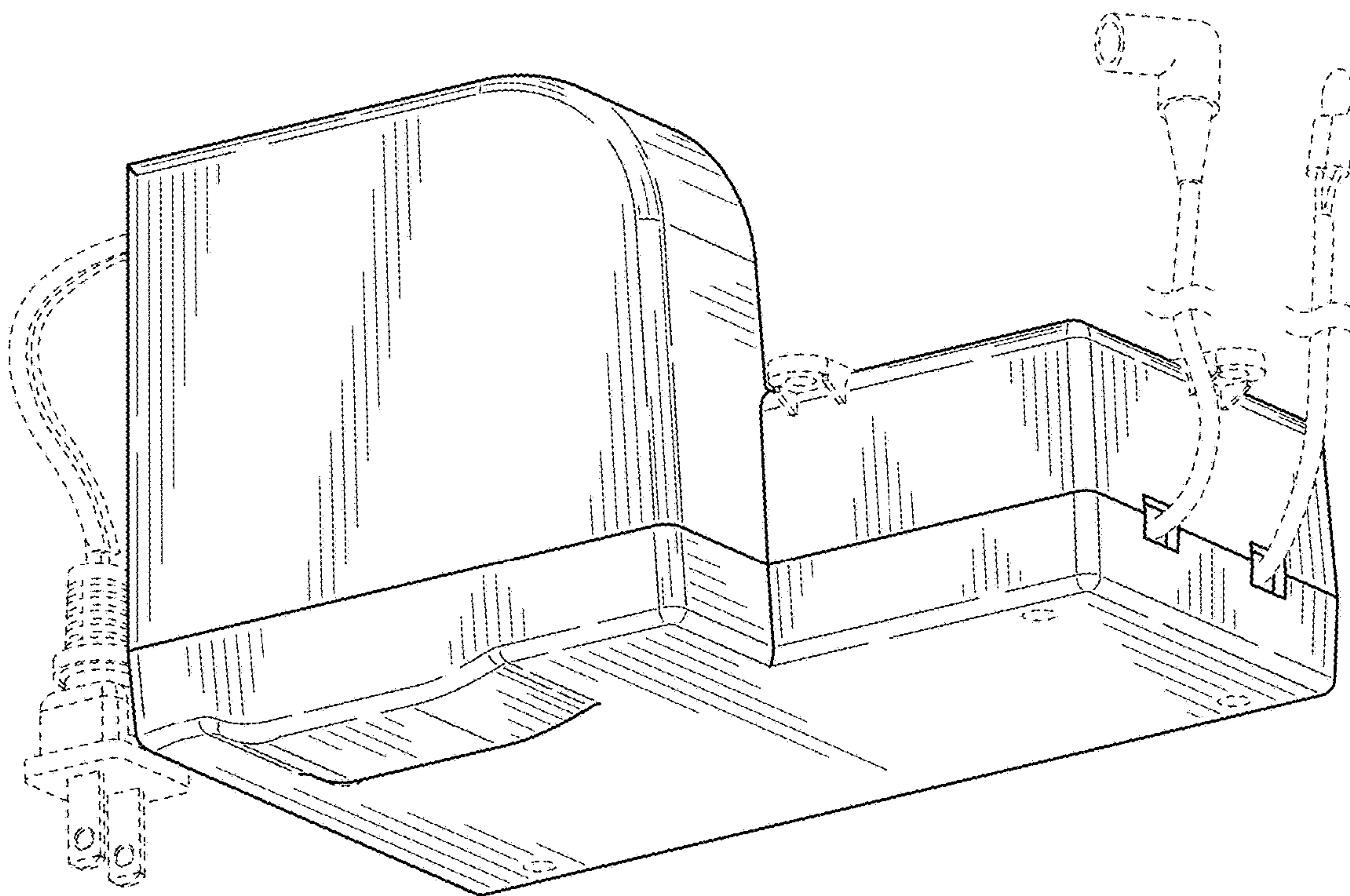


FIG. 8