



US00D823788S

(12) **United States Design Patent** (10) **Patent No.:** **US D823,788 S**  
**Wei** (45) **Date of Patent:** **\*\* Jul. 24, 2018**

(54) **BATTERY BOX**

(71) Applicant: **Min Wei**, Guangdong (CN)

(72) Inventor: **Min Wei**, Guangdong (CN)

(\*\*) Term: **15 Years**

(21) Appl. No.: **29/603,591**

(22) Filed: **May 10, 2017**

(30) **Foreign Application Priority Data**

Mar. 24, 2017 (CN) ..... 2017 3 0090444

(51) **LOC (11) Cl.** ..... **13-02**

(52) **U.S. Cl.**  
USPC ..... **D13/103**

(58) **Field of Classification Search**  
USPC ..... D13/103, 102, 107-108, 110, 118-119,  
D13/184; D3/212, 315, 201, 208, 209,  
D3/269, 272-274, 276, 318, 321;  
D9/418, 420, 424, 712

CPC ..... Y02E 60/12; Y02E 60/122; Y02E 60/124;  
Y02E 60/50; H01M 2/02; H01M 2/022;  
H01M 2/0202; H01M 2/0207; H01M  
2/0212; H01M 2/1061; H01M 2/1022;  
H01M 2/1055; H01M 2/1066; H01M  
2/105; H01M 2/204; H01M 10/4257;  
H01M 10/0436; H01M 10/48

See application file for complete search history.

(56) **References Cited**

U.S. PATENT DOCUMENTS

D374,424 S \* 10/1996 Nagele ..... D13/103  
D376,127 S \* 12/1996 Nagele ..... D13/103

D403,655 S \* 1/1999 Johansson ..... D13/103  
D409,562 S \* 5/1999 Johansson ..... D13/103  
D514,506 S \* 2/2006 Niitsuma ..... D13/103  
D557,203 S \* 12/2007 Grunow ..... D13/103  
D557,204 S \* 12/2007 Panebianco ..... D13/103  
D575,054 S \* 8/2008 Walcott ..... D3/208  
D591,231 S \* 4/2009 Wung ..... D13/103  
D685,178 S \* 7/2013 Lv ..... D3/206  
D693,292 S \* 11/2013 Salvi ..... D13/103  
D727,254 S \* 4/2015 Kinoshita ..... D13/103  
D757,645 S \* 5/2016 Oliver ..... D13/103  
D773,184 S \* 12/2016 Ko ..... D3/274  
D776,523 S \* 1/2017 Sabbag ..... D3/276  
D792,708 S \* 7/2017 Tazawa ..... D3/276  
D808,653 S \* 1/2018 Rayeski ..... D3/273

\* cited by examiner

*Primary Examiner* — Jennifer Rivard  
*Assistant Examiner* — Alison M Ofstun

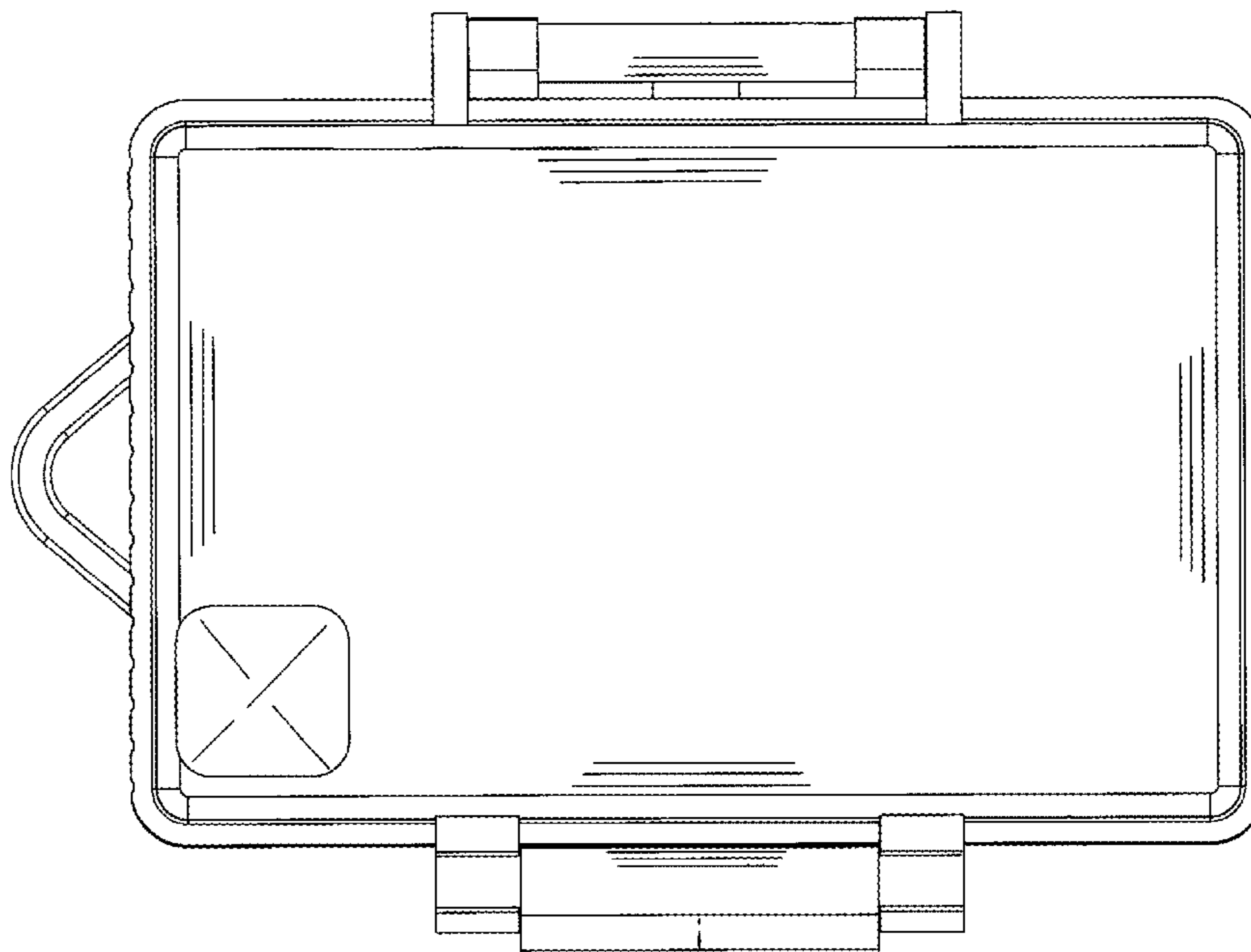
(57) **CLAIM**

The ornamental design for a battery box, as shown and described.

**DESCRIPTION**

FIG. 1 is a front elevational view of a battery box showing my new design;  
FIG. 2 is a rear elevational view thereof;  
FIG. 3 is a left side view thereof;  
FIG. 4 is a right side view thereof;  
FIG. 5 is a top plan view thereof;  
FIG. 6 is a bottom plan view thereof; and,  
FIG. 7 is a perspective view thereof.  
In the drawings, the broken lines illustrate portions of the article which form no part of the claimed design.

**1 Claim, 5 Drawing Sheets**



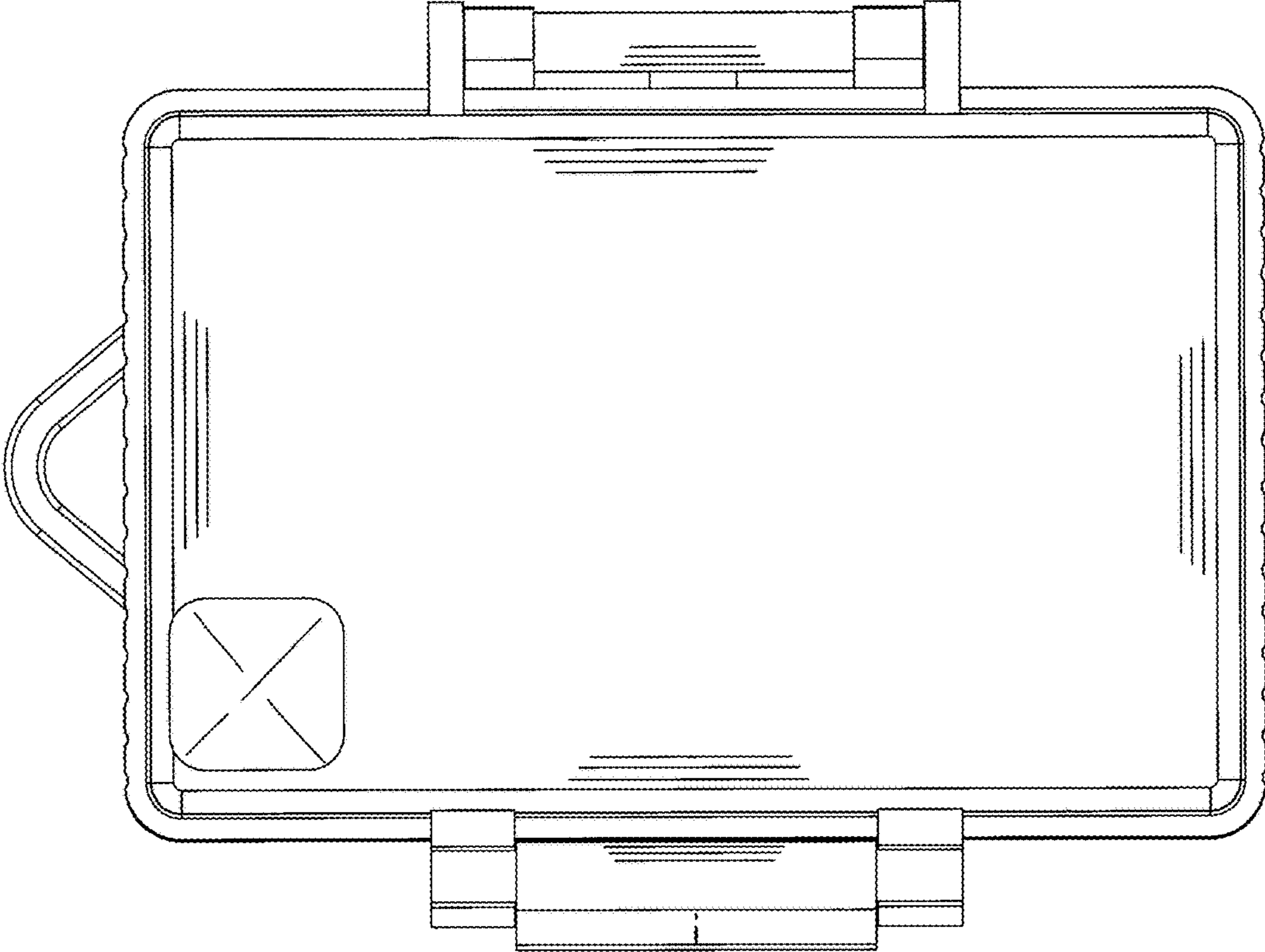


FIG. 1

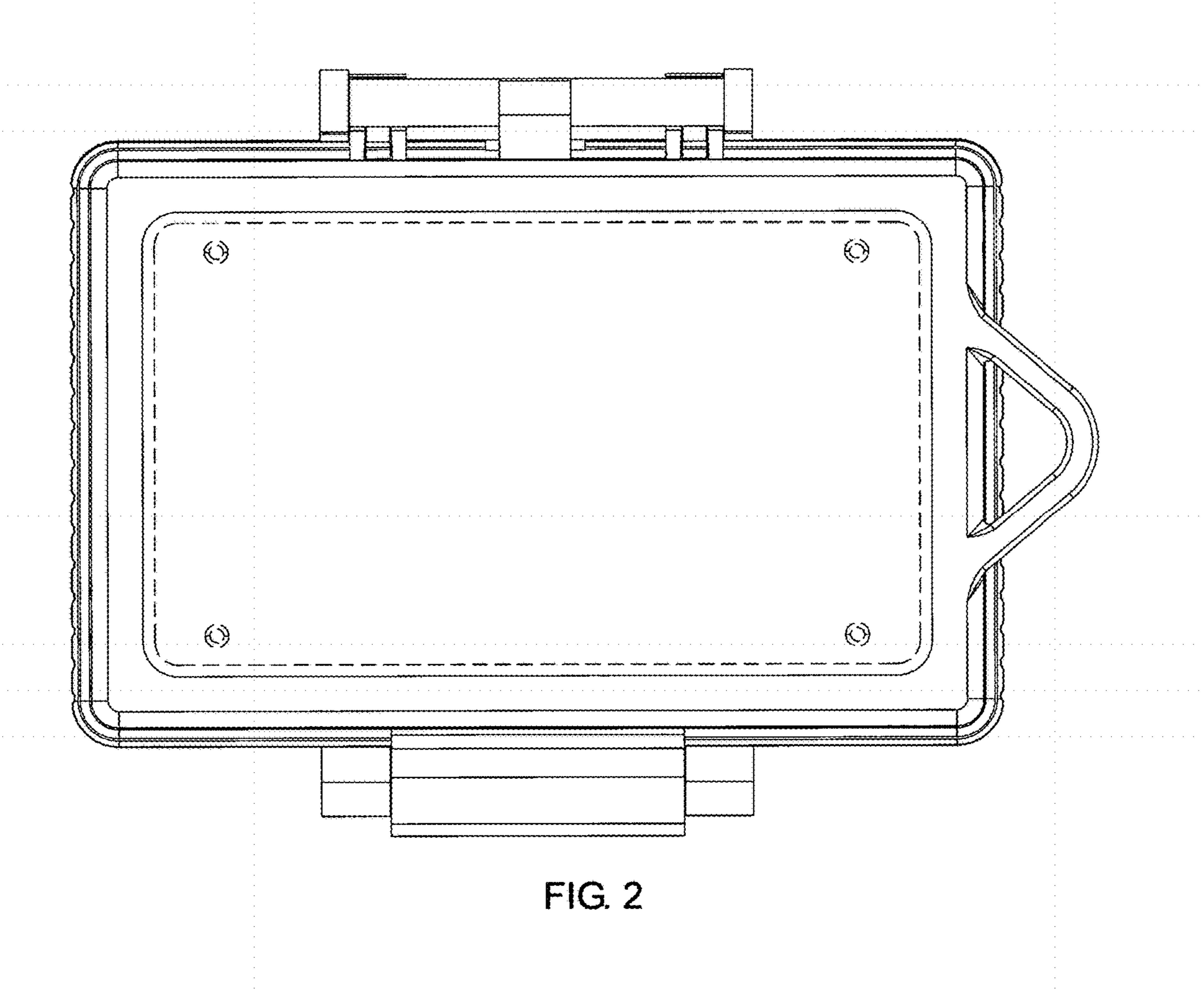


FIG. 2

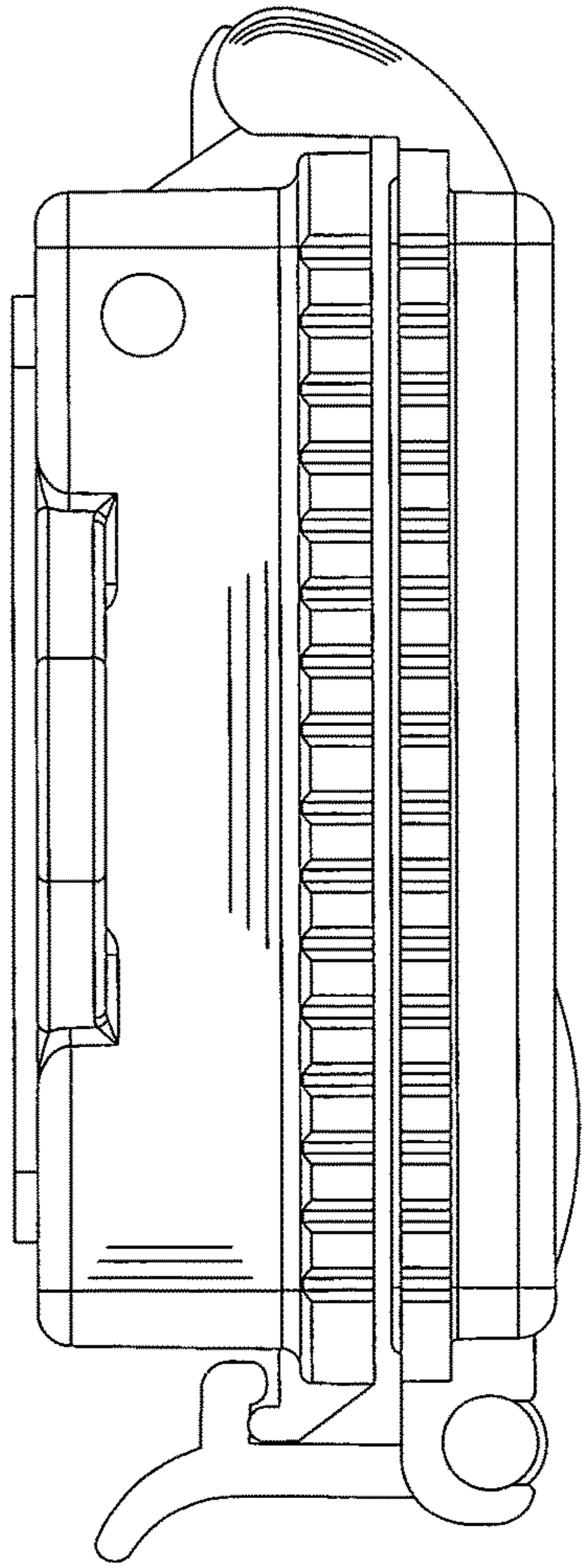


FIG. 3

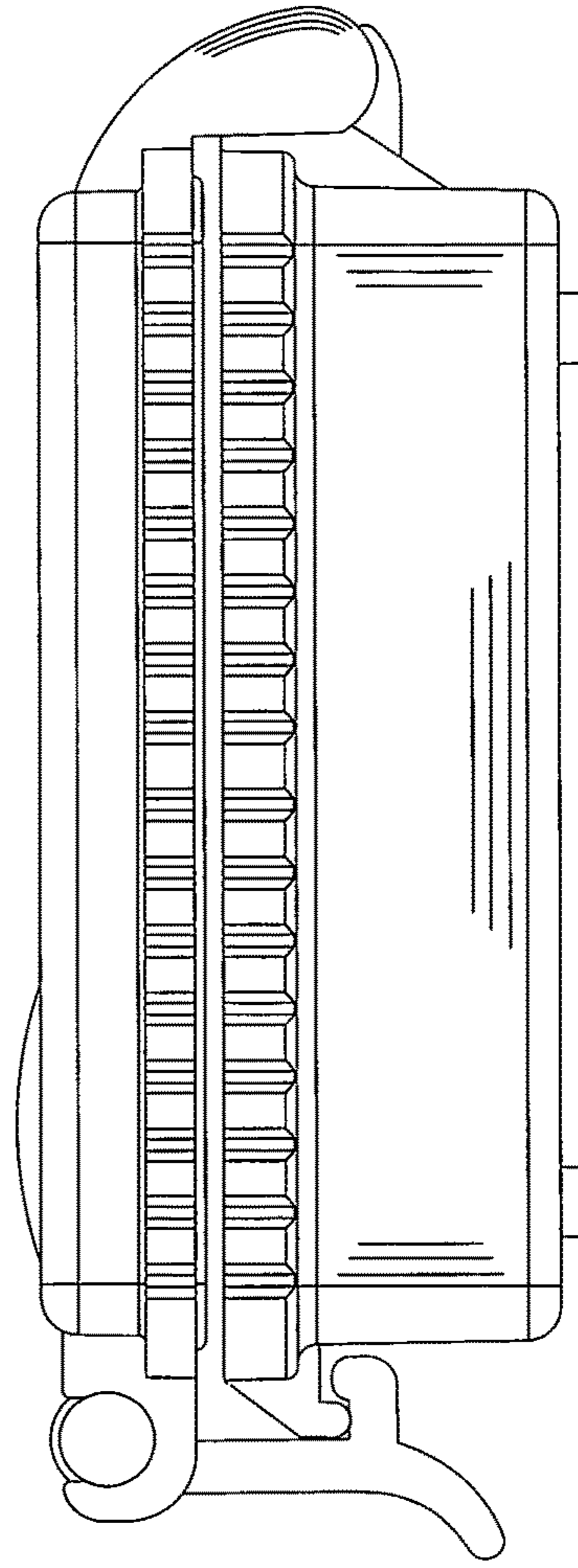


FIG. 4

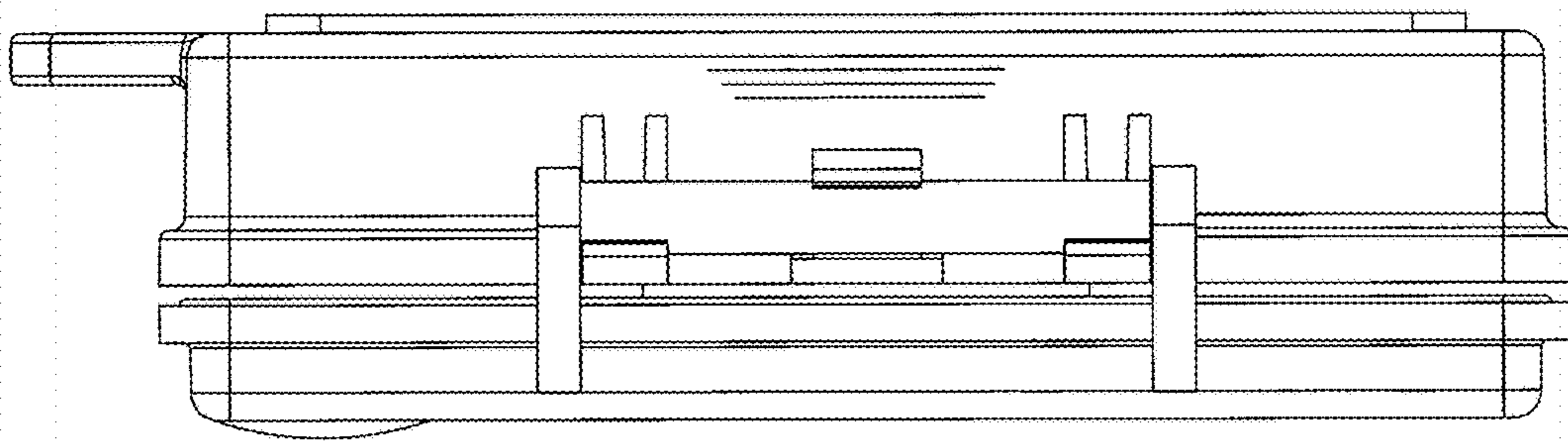


FIG. 5

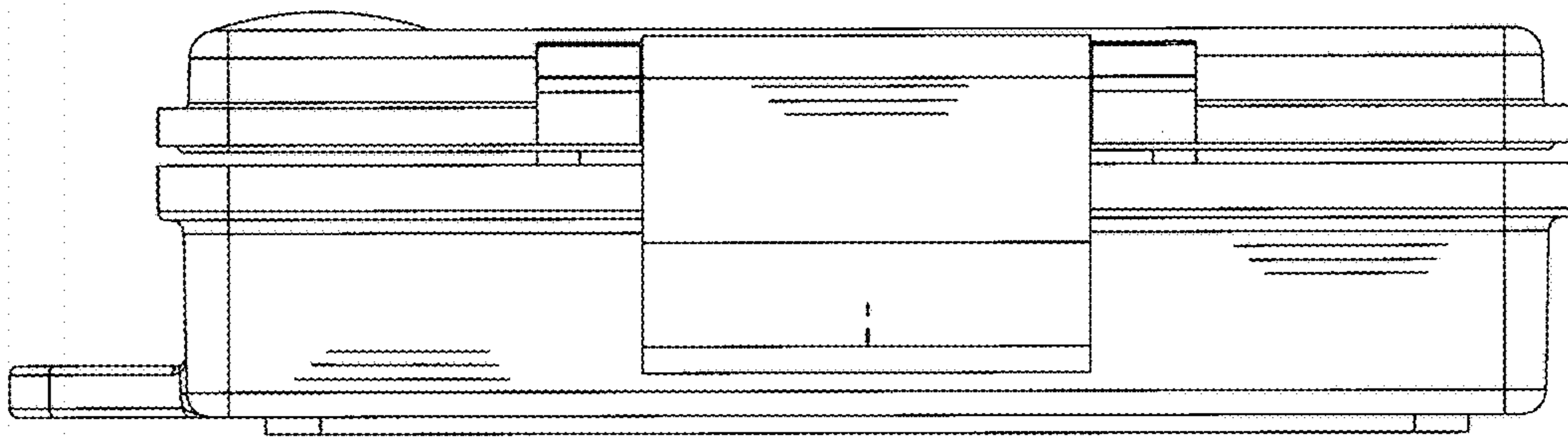


FIG. 6



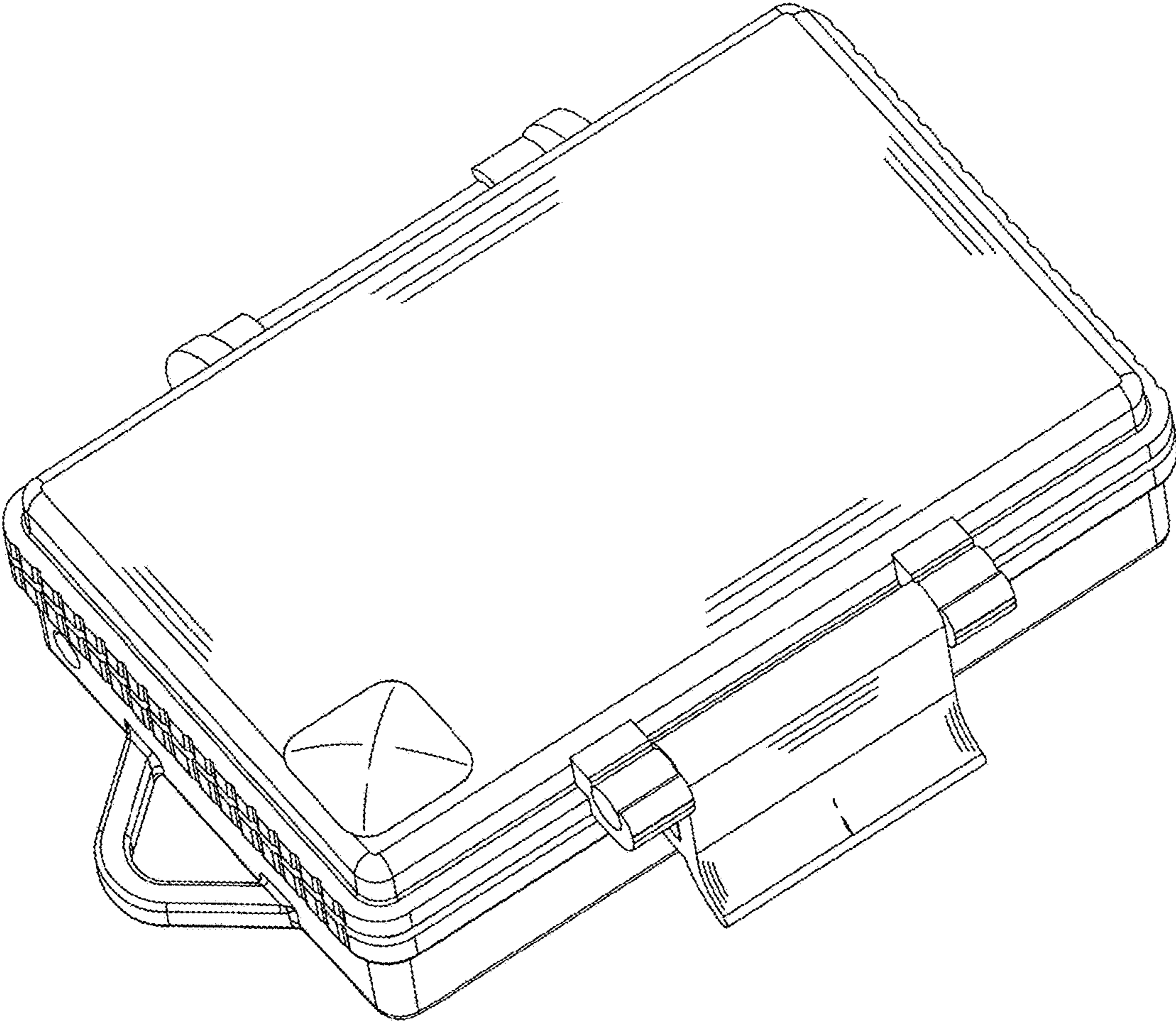


FIG. 7