



US00D823786S

(12) **United States Design Patent** (10) **Patent No.:** **US D823,786 S**  
**Stephan et al.** (45) **Date of Patent:** **\*\* Jul. 24, 2018**

(54) **ASYMMETRICAL SOLAR PANEL BRACKET ASSEMBLY**

(71) Applicant: **Pegasus Solar Inc.**, San Jose, CA (US)

(72) Inventors: **Erich Kai Stephan**, Newport Beach, CA (US); **Glenn Harris**, Sausalito, CA (US)

(73) Assignee: **PEGASUS SOLAR INC.**, Richmond, CA (US)

(\*\*) Term: **14 Years**

(21) Appl. No.: **29/522,558**

(22) Filed: **Mar. 31, 2015**

(51) **LOC (11) Cl.** ..... **13-02**

(52) **U.S. Cl.**  
USPC ..... **D13/102**

(58) **Field of Classification Search**  
USPC ..... D13/102, 118, 184, 199; D8/349, 354, D8/355, 356; D25/119, 123, 124, 125; 52/173.3, 460; 126/573, 580; 136/206, 136/244-251, 256, 291, 292; 248/205.1; 439/567

CPC .... F24J 2/46; F24J 2/526; F24J 2/5207; F24J 2/5211; F24J 2/5245; F24J 2/5258; Y10T 403/75; Y02E 10/47; Y02B 10/20

See application file for complete search history.

(56) **References Cited**

**U.S. PATENT DOCUMENTS**

3,926,529	A	12/1975	Brooks	
4,101,101	A	7/1978	Barkats et al.	
4,464,073	A	8/1984	Cherry	
4,729,197	A	3/1988	Miller	
4,838,951	A	6/1989	Riermeier et al.	
4,850,081	A	7/1989	Grant	
5,709,500	A *	1/1998	Mizelle	..... A47C 4/02 16/386

5,746,029	A	5/1998	Ullman	
6,158,087	A	12/2000	Cheung	
6,360,491	B1	3/2002	Ullman	
D547,262	S *	7/2007	Ullman	..... D13/102
7,406,800	B2	8/2008	Cinnamon et al.	
7,487,771	B1	2/2009	Eiffert et al.	
7,592,537	B1	9/2009	West et al.	
7,762,027	B1	7/2010	Wentworth et al.	

(Continued)

**FOREIGN PATENT DOCUMENTS**

CN	2845174	12/2006
CN	2862330	1/2007

(Continued)

**OTHER PUBLICATIONS**

International Search Report and Written Opinion for PCT/US2015/023343, dated Jul. 13, 2015.

(Continued)

*Primary Examiner* — Derrick Holland  
(74) *Attorney, Agent, or Firm* — Polsinelli LLP

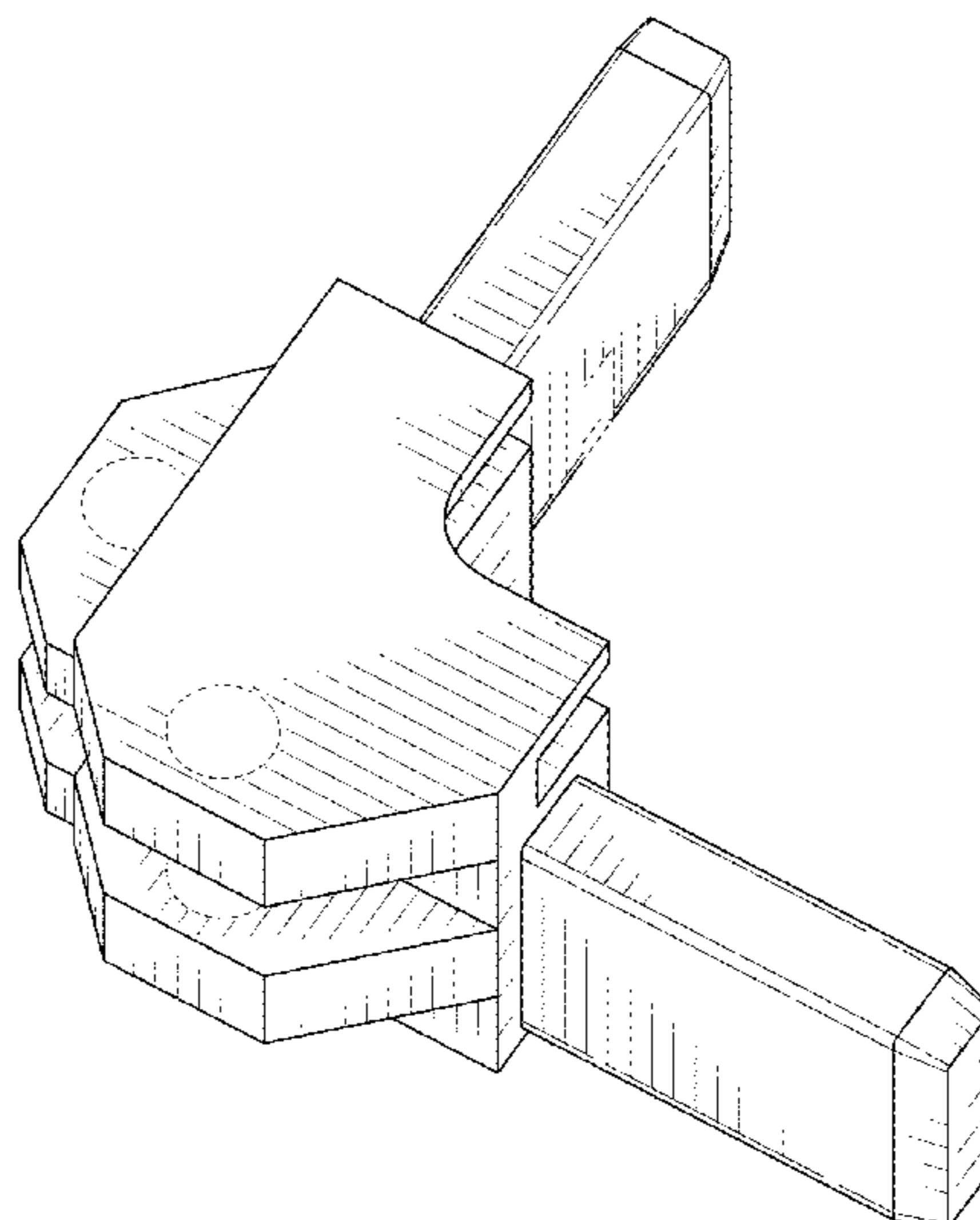
(57) **CLAIM**

The ornamental design for an asymmetrical solar panel bracket assembly, as shown and described.

**DESCRIPTION**

FIG. 1 is a perspective view of an asymmetrical solar panel bracket assembly showing our new design; FIG. 2 is a top plan view thereof; FIG. 3 is a bottom plan view thereof; FIG. 4 is a first side view thereof; FIG. 5 is a second side view thereof; FIG. 6 is a third side view thereof; and, FIG. 7 is a fourth side view thereof. The broken lines shown in the figures illustrate the portions of the design that form no part of the claimed design.

**1 Claim, 5 Drawing Sheets**



(56)

**References Cited**

U.S. PATENT DOCUMENTS

7,832,157 B2 11/2010 Cinnamon et al.  
 7,861,485 B1 1/2011 Wentworth et al.  
 7,866,098 B2 1/2011 Cinnamon et al.  
 7,895,808 B1 3/2011 Wentworth et al.  
 7,905,064 B1 3/2011 Wentworth et al.  
 7,987,641 B2 8/2011 Cinnamon et al.  
 8,092,129 B2 1/2012 Wiley et al.  
 8,109,048 B2 2/2012 West et al.  
 8,153,700 B2 4/2012 Stearns et al.  
 8,166,713 B2 5/2012 Stearns et al.  
 8,266,847 B2 9/2012 Edgar  
 D673,903 S \* 1/2013 Kobayashi ..... D13/102  
 8,353,650 B2 1/2013 Wiley et al.  
 8,375,654 B1 2/2013 West et al.  
 8,505,248 B1 8/2013 Leong et al.  
 8,608,418 B2 12/2013 Wiley et al.  
 8,640,400 B2 \* 2/2014 Liebendorfer ..... F24J 2/5207  
 136/251  
 8,756,881 B2 6/2014 West et al.  
 D710,792 S \* 8/2014 Cai ..... D13/102  
 8,813,460 B2 8/2014 Cinnamon et al.  
 8,875,455 B1 11/2014 Yang et al.  
 D719,084 S \* 12/2014 Kruse ..... D13/102  
 8,990,979 B1 3/2015 Craver et al.  
 2006/0005875 A1 1/2006 Haberlein  
 2007/0223993 A1 9/2007 Peterson, Jr. et al.  
 2011/0194886 A1 8/2011 Wu et al.  
 2011/0259404 A1 10/2011 Jang

2012/0036807 A1 2/2012 Pacione et al.  
 2013/0074909 A1 3/2013 Sheng  
 2013/0175231 A1 7/2013 Klinga et al.  
 2014/0169909 A1 6/2014 Wiley et al.  
 2014/0352763 A1 12/2014 Chen et al.

FOREIGN PATENT DOCUMENTS

CN	201655815	11/2010
CN	102709369	10/2012
CN	102881681	1/2013
CN	102956728	3/2013
DE	3611542	10/1987
DE	10 2006 053 830	2/2008
EP	0200050	11/1986
EP	2590225	5/2013
WO	WO 2013157966	10/2013

OTHER PUBLICATIONS

International Search Report and Written Opinion for PCT Application No. PCT/US2015/012526, dated Apr. 10, 2015, 9 pages.  
 Extended European Search Report from the European Patent Office for European Patent Application No. EP15740408.8, dated May 18, 2017, 7 pages.  
 Machine generated English translation of the 1<sup>st</sup> Office Action and Search Report, dated Dec. 13, 2017, 14 pages, from the State Intellectual Property Office of People's Republic of China for related matter, Chinese Patent Application No. 201580005062.4.

\* cited by examiner

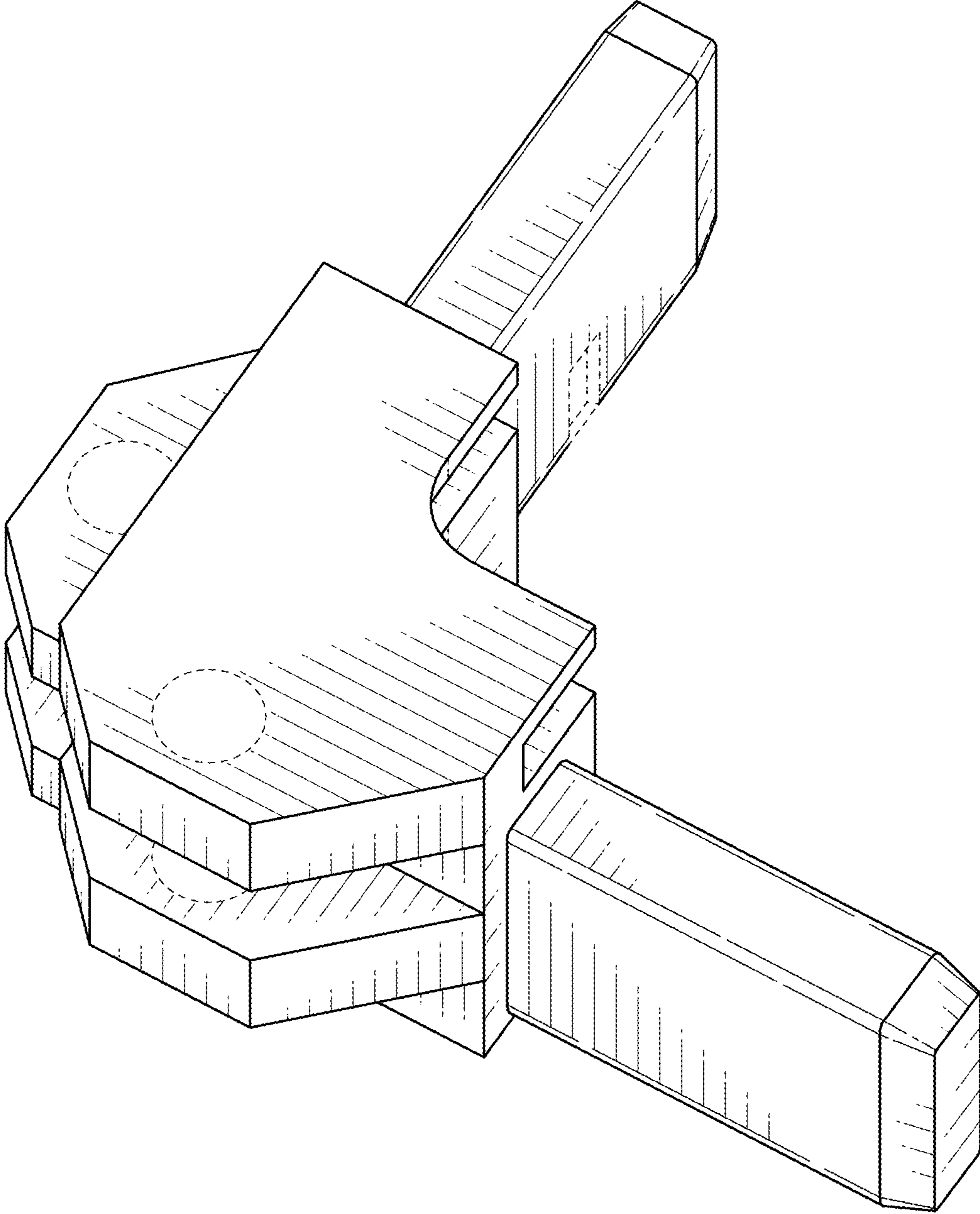


FIG. 1

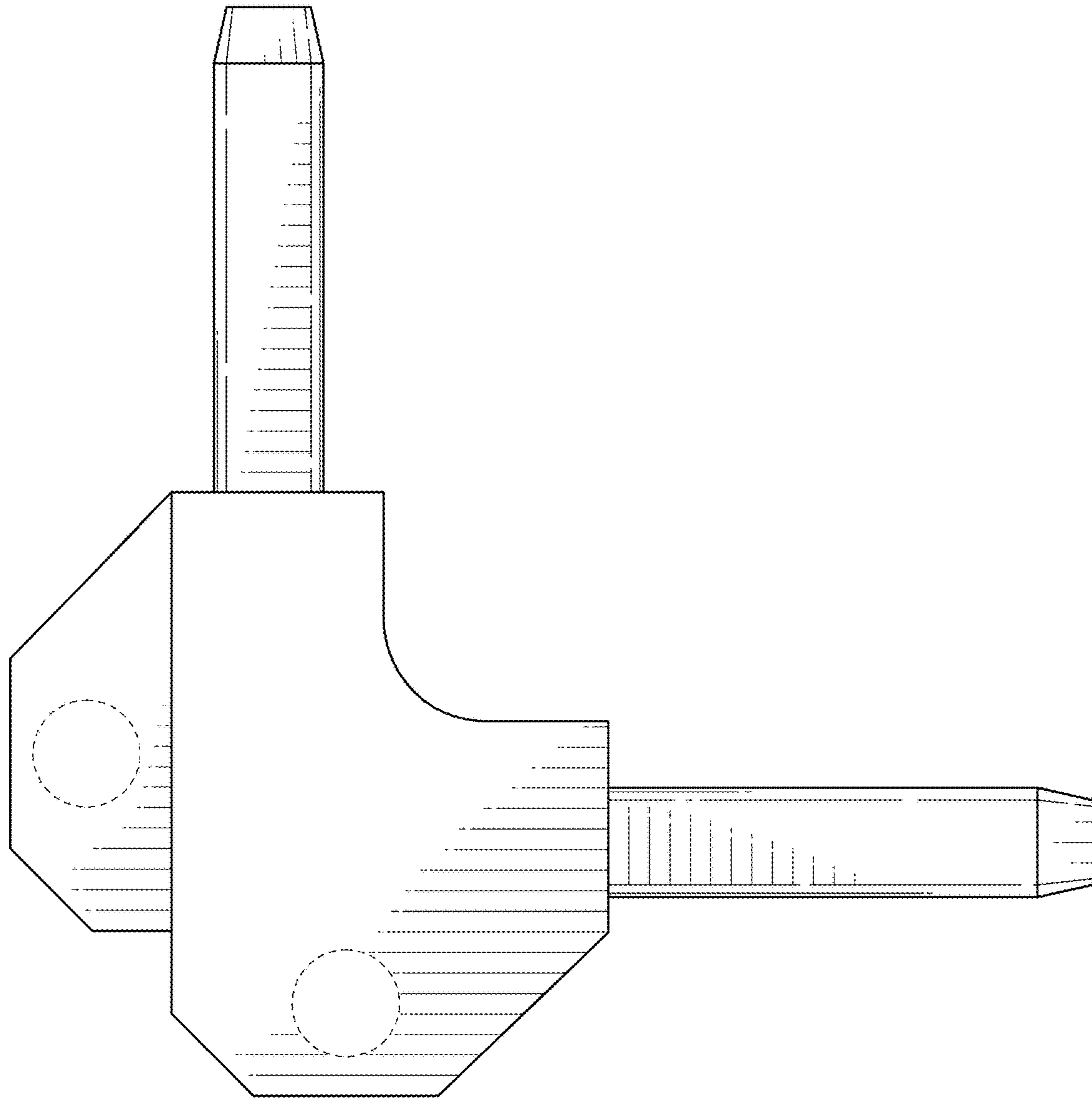


FIG. 2

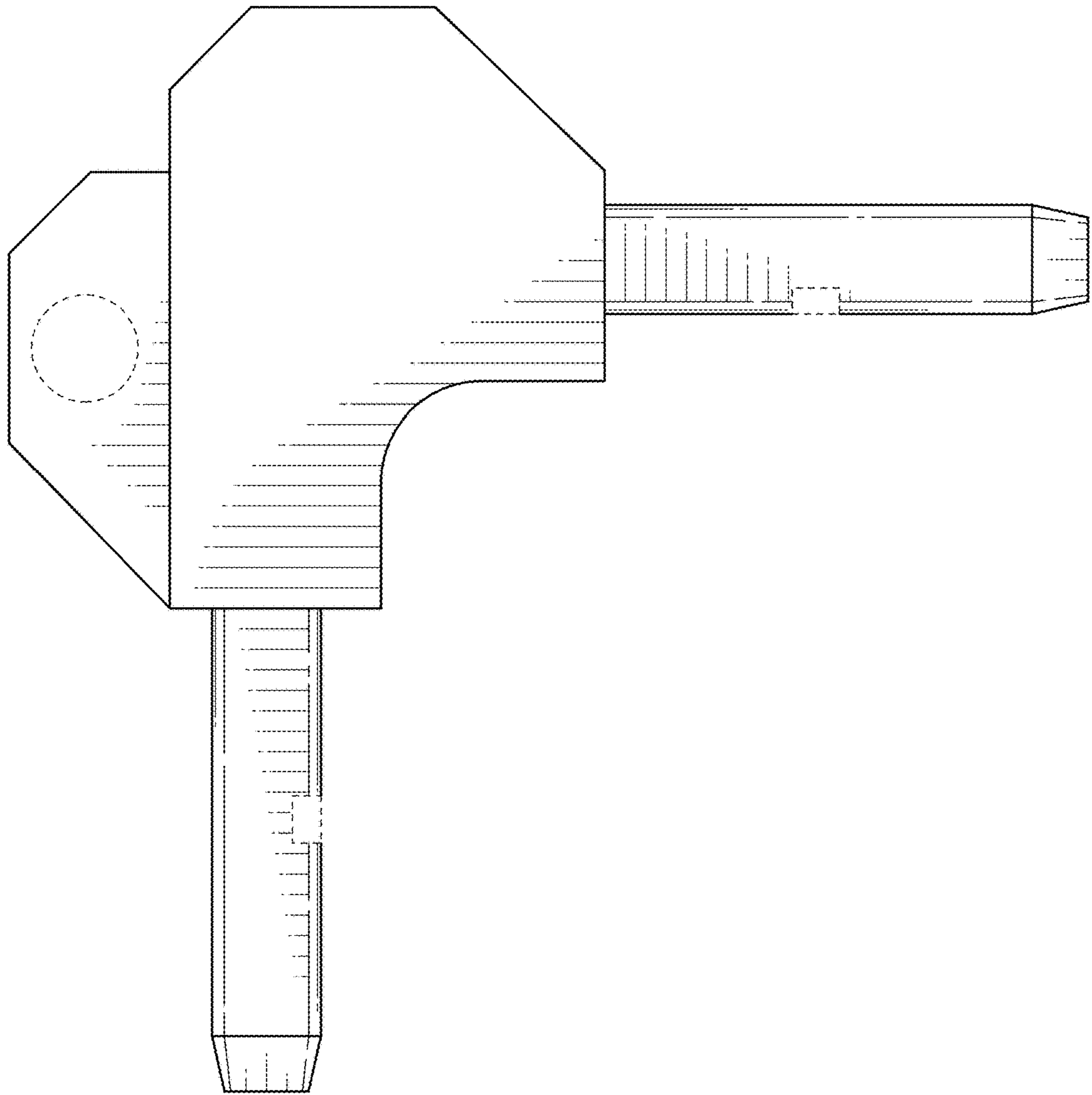


FIG. 3

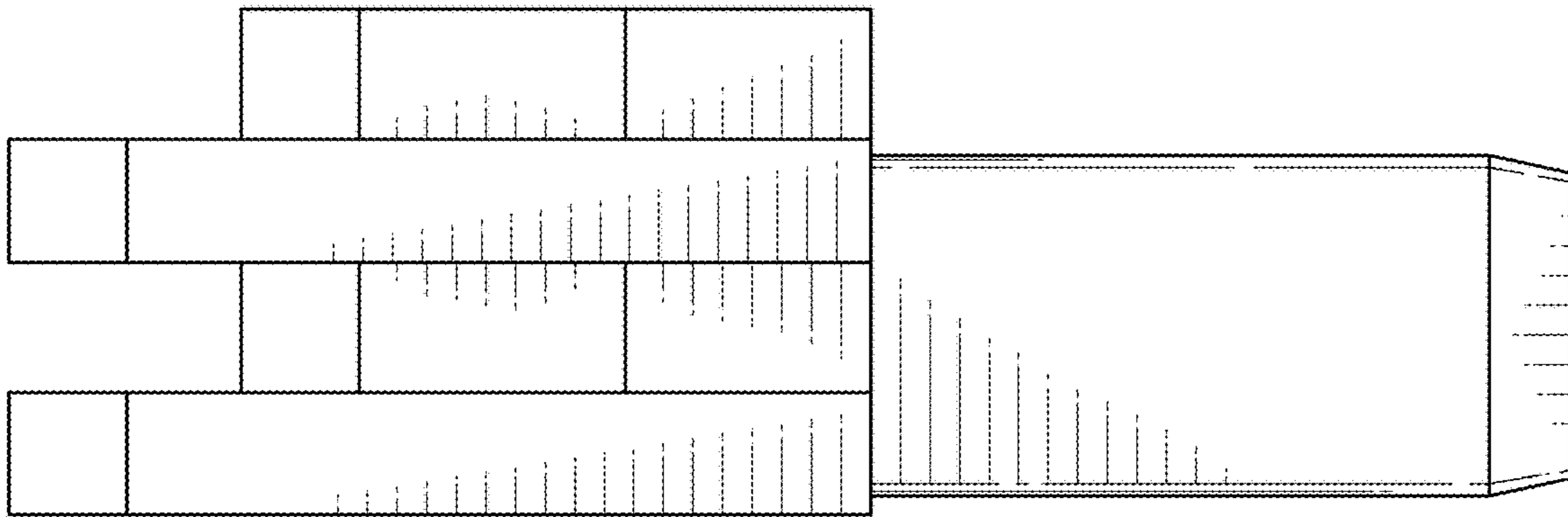


FIG. 4

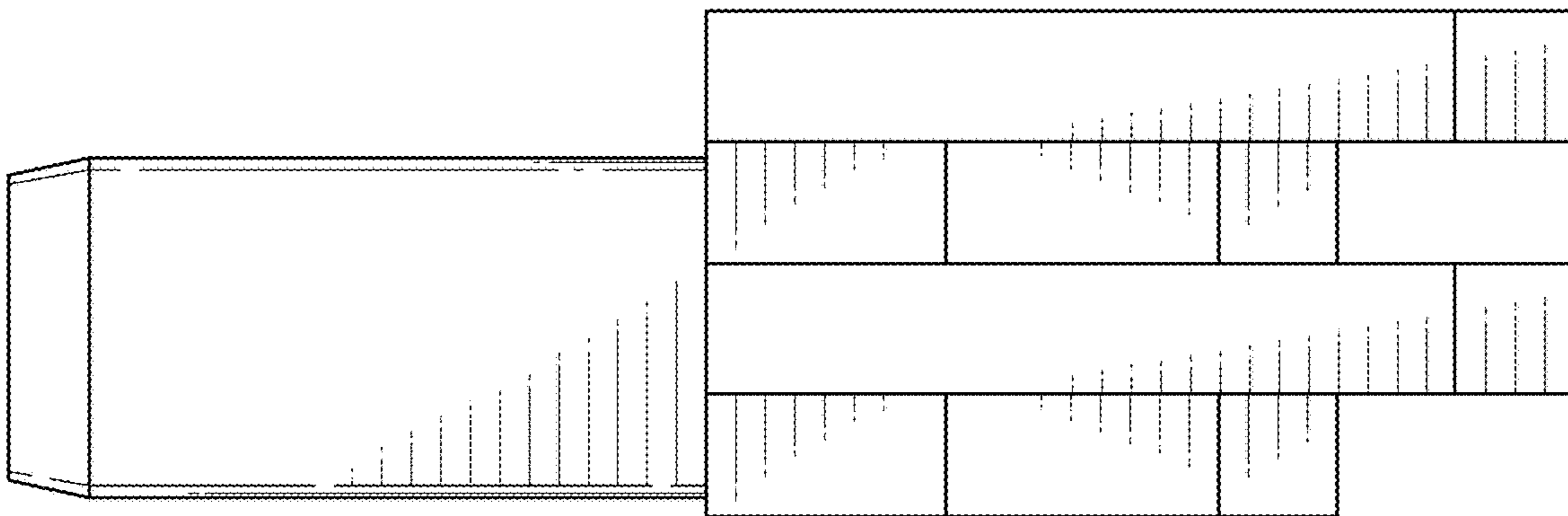


FIG. 5

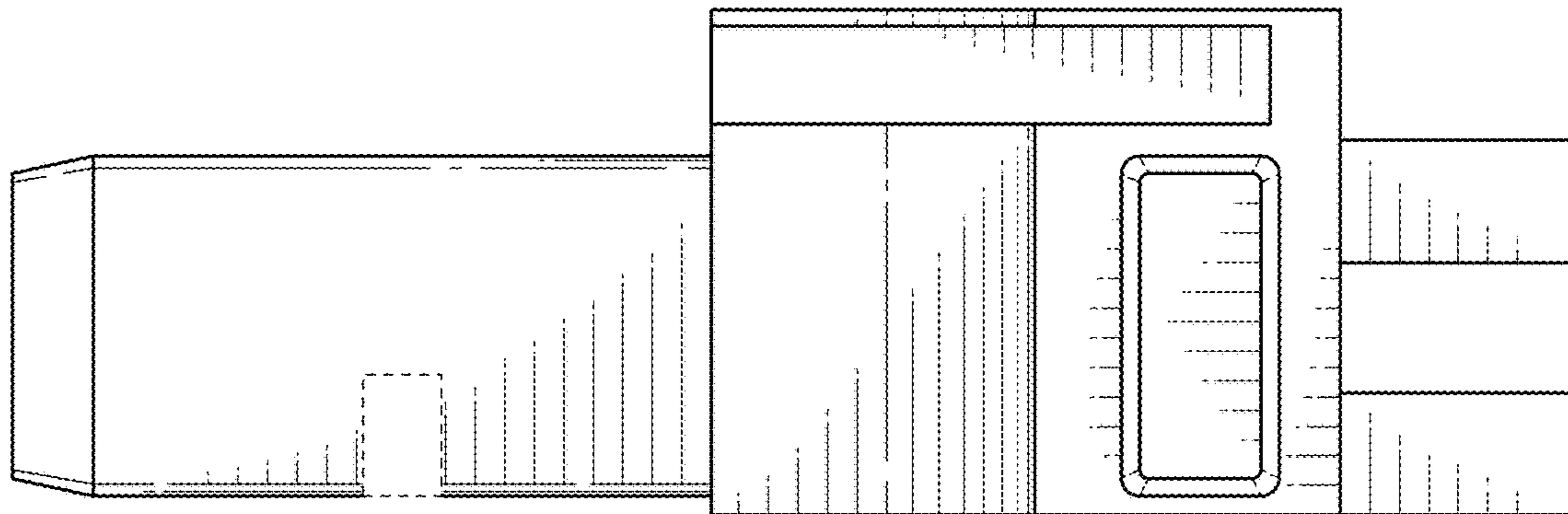


FIG. 6

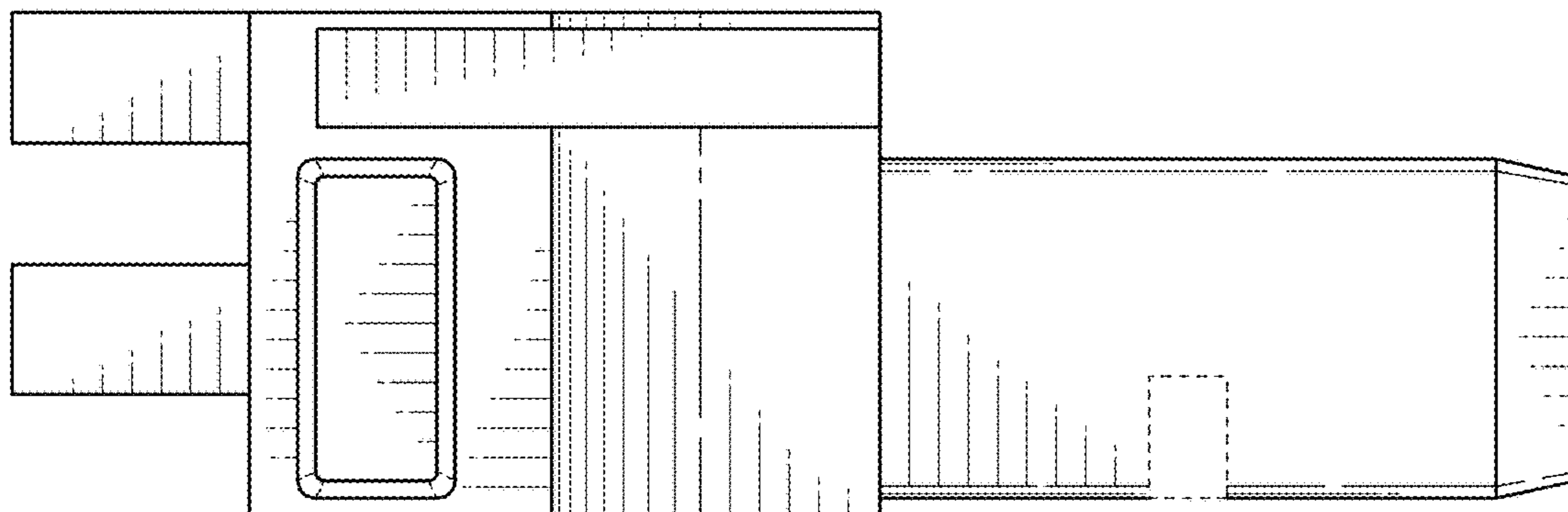


FIG. 7