



US00D823782S

(12) **United States Design Patent**
Bortolet et al.

(10) **Patent No.:** **US D823,782 S**

(45) **Date of Patent:** **** Jul. 24, 2018**

- (54) **TIRE**
- (71) Applicant: **The Goodyear Tire & Rubber Company**, Akron, OH (US)
- (72) Inventors: **Lionel Jean-Marie Bortolet**, Gorcy (FR); **Antoine Charles Penide**, Rollingen (LU); **Albert Maurice Pol Ghislain Lerusse**, Bastogne (BE)
- (73) Assignee: **The Goodyear Tire & Rubber Company**, Akron, OH (US)
- (**) Term: **15 Years**
- (21) Appl. No.: **29/605,849**
- (22) Filed: **May 31, 2017**
- (51) **LOC (11) Cl.** **12-15**
- (52) **U.S. Cl.**
USPC **D12/583**
- (58) **Field of Classification Search**
USPC D12/568-603
CPC B60C 2011/0341; B60C 2011/0344; B60C 2011/0348
See application file for complete search history.

D583,312 S	12/2008	Murphy et al.	D12/602
D598,369 S	8/2009	Beha	D12/602
D598,370 S	8/2009	Beha	D12/602
D601,086 S	9/2009	Maus et al.	D12/602
D604,229 S	11/2009	Le et al.	D12/582
D604,230 S	11/2009	Brown et al.	D12/588

(Continued)

Primary Examiner — George D. Kirschbaum
Assistant Examiner — Joseph J Kukella
(74) *Attorney, Agent, or Firm* — Robert N. Lipsik

(57) **CLAIM**

The ornamental Design for a tire, as shown and described.

DESCRIPTION

FIG. 1 is a perspective view of a tire showing our new design, it being understood that the pattern repeats uniformly throughout the circumference of the tread;
 FIG. 2 is a front elevational view thereof;
 FIG. 3 is a right side elevational view thereof; the left side elevational view being identical thereto;
 FIG. 4 is an enlarged fragmentary front elevational view thereof;
 FIG. 5 is a perspective view of a second embodiment of a tire showing our new design, it being understood that the interior of the tire forms no part of the claim, that the pattern repeats uniformly throughout the circumference of the tread and that the opposite side view is identical thereto; and,
 FIG. 6 is a front elevational view of a second embodiment, it being understood that an enlarged fragmentary view thereof would be substantially identical to that shown in FIG. 4, with the exception of the inclusion of the sidewall in the claim.

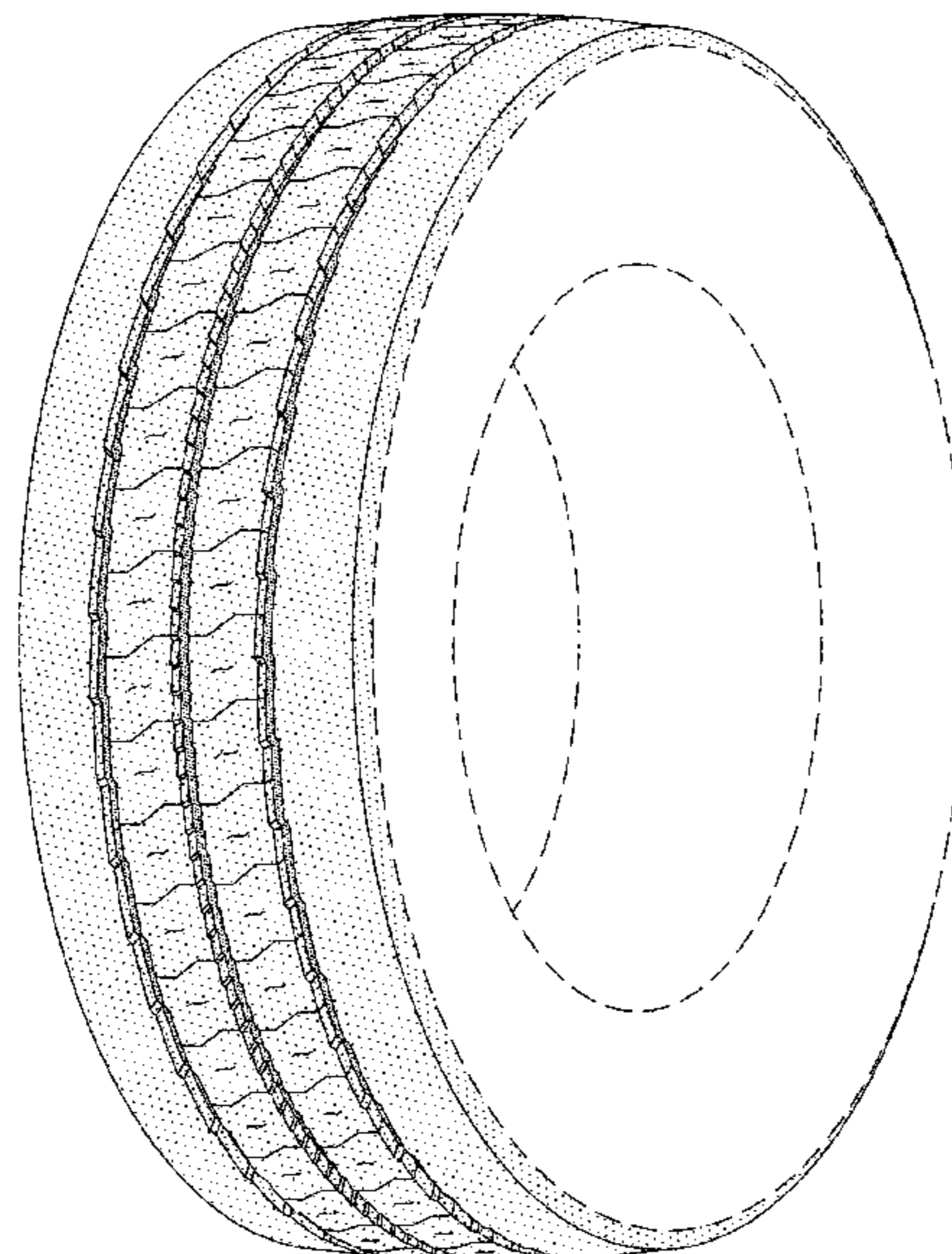
In the drawings, the broken lines immediately adjacent to the outer edges of the tire shoulder represent boundaries of the claim, and the broken lines depict environmental subject matter only and form no part of the claimed design.

1 Claim, 6 Drawing Sheets

(56) **References Cited**

U.S. PATENT DOCUMENTS

D269,005 S	*	5/1983	Hammond	D12/582
D384,612 S		10/1997	Young et al.	D12/146
D384,613 S		10/1997	Le et al.	D12/146
D388,370 S		12/1997	Yung et al.	D12/146
D392,605 S		3/1998	Le et al.	D12/146
D397,647 S		9/1998	Young	D12/146
D451,437 S	*	12/2001	Reid	D12/582
D451,860 S		12/2001	Schuster et al.	D12/147
D456,770 S	*	5/2002	Young	D12/602
D481,992 S		11/2003	Harden, Jr. et al.	D12/595
D502,444 S		3/2005	Wage	D12/588
D528,500 S		9/2006	Le et al.	D12/600



(56)

References Cited

U.S. PATENT DOCUMENTS

D605,107 S	12/2009	Ludwig et al.	D12/588
D605,108 S	12/2009	Brown et al.	D12/588
D609,169 S	2/2010	Feider	D12/588
D631,002 S	1/2011	Cazin-Bourguignon et al.	D12/602
D637,152 S	5/2011	Maus et al.	D12/602
D640,968 S	7/2011	Cazin-Bourguignon et al.	D12/583
D642,974 S	8/2011	Koshio	D12/600
D645,810 S	9/2011	Le et al.	D12/600
D662,456 S	6/2012	Corsi et al.	D12/588
D686,973 S	7/2013	Otani	D12/588
D702,180 S	4/2014	Le et al.	D12/588
D730,812 S *	6/2015	Kato	D12/582
D746,225 S	12/2015	Kong	D12/600
D748,045 S *	1/2016	Kitamura	D12/584
D754,059 S	4/2016	Kristen	D12/583
D756,294 S	5/2016	Kristen	
D758,956 S	6/2016	Mathonet et al.	D12/565
D760,153 S	6/2016	Kojima	D12/588
D770,371 S	11/2016	Mathonet et al.	D12/601
D779,420 S	2/2017	Krier et al.	D12/601

* cited by examiner

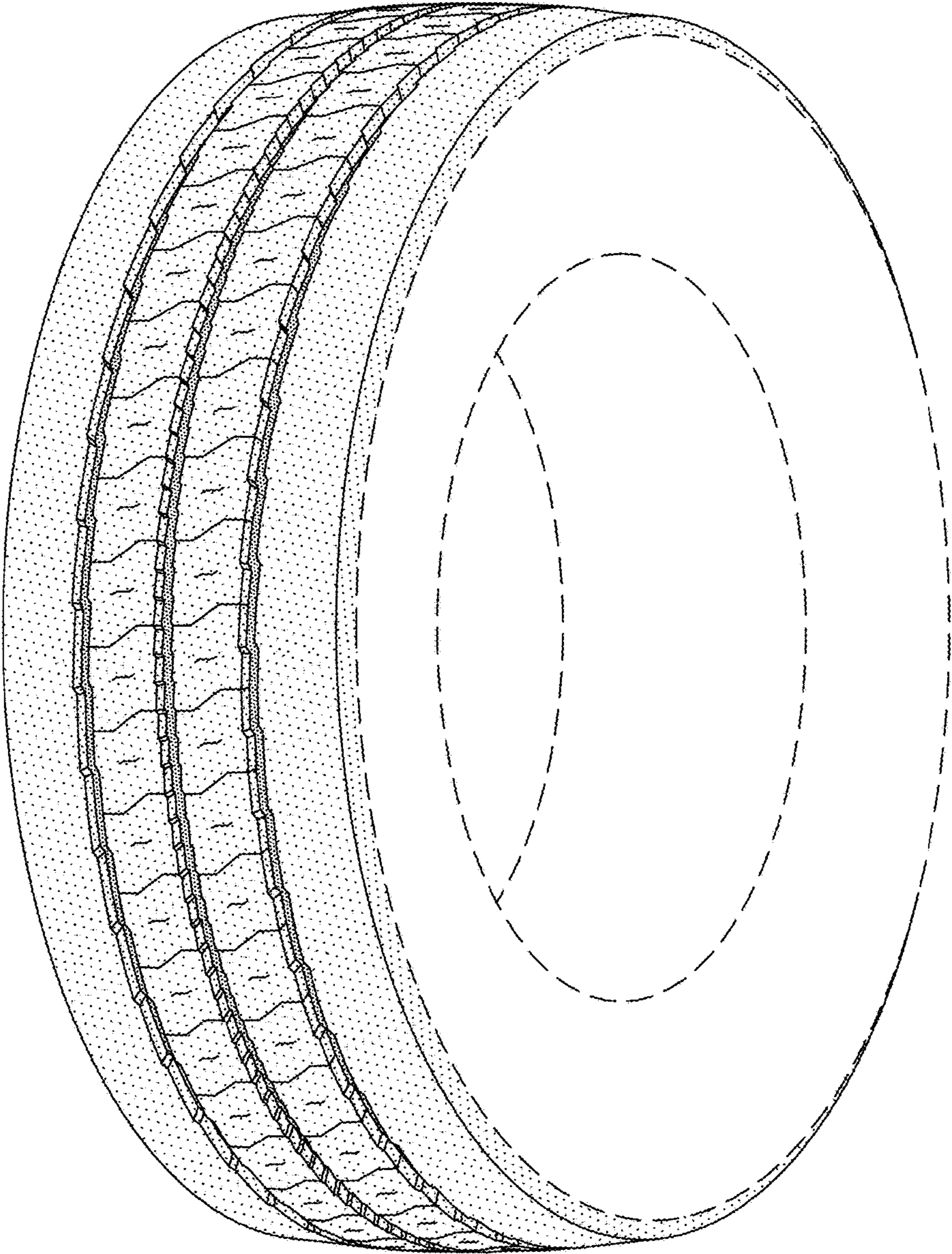


FIG. 1

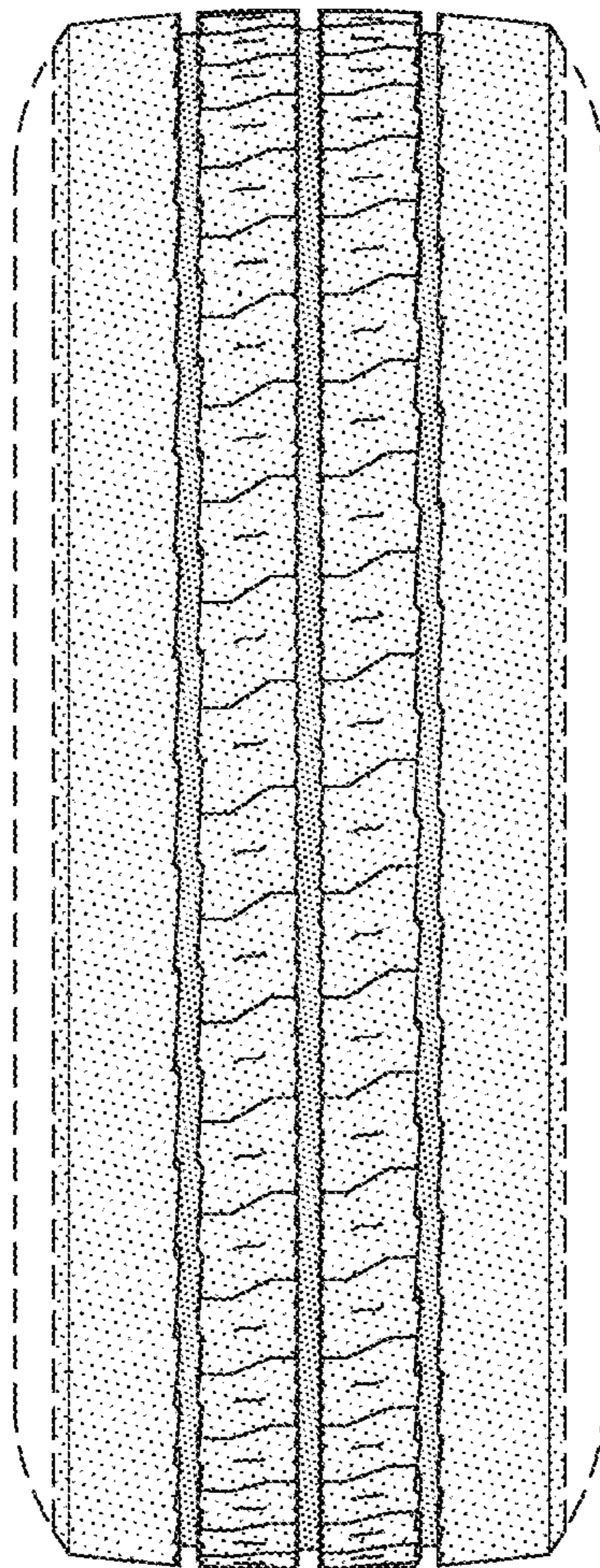


FIG. 2

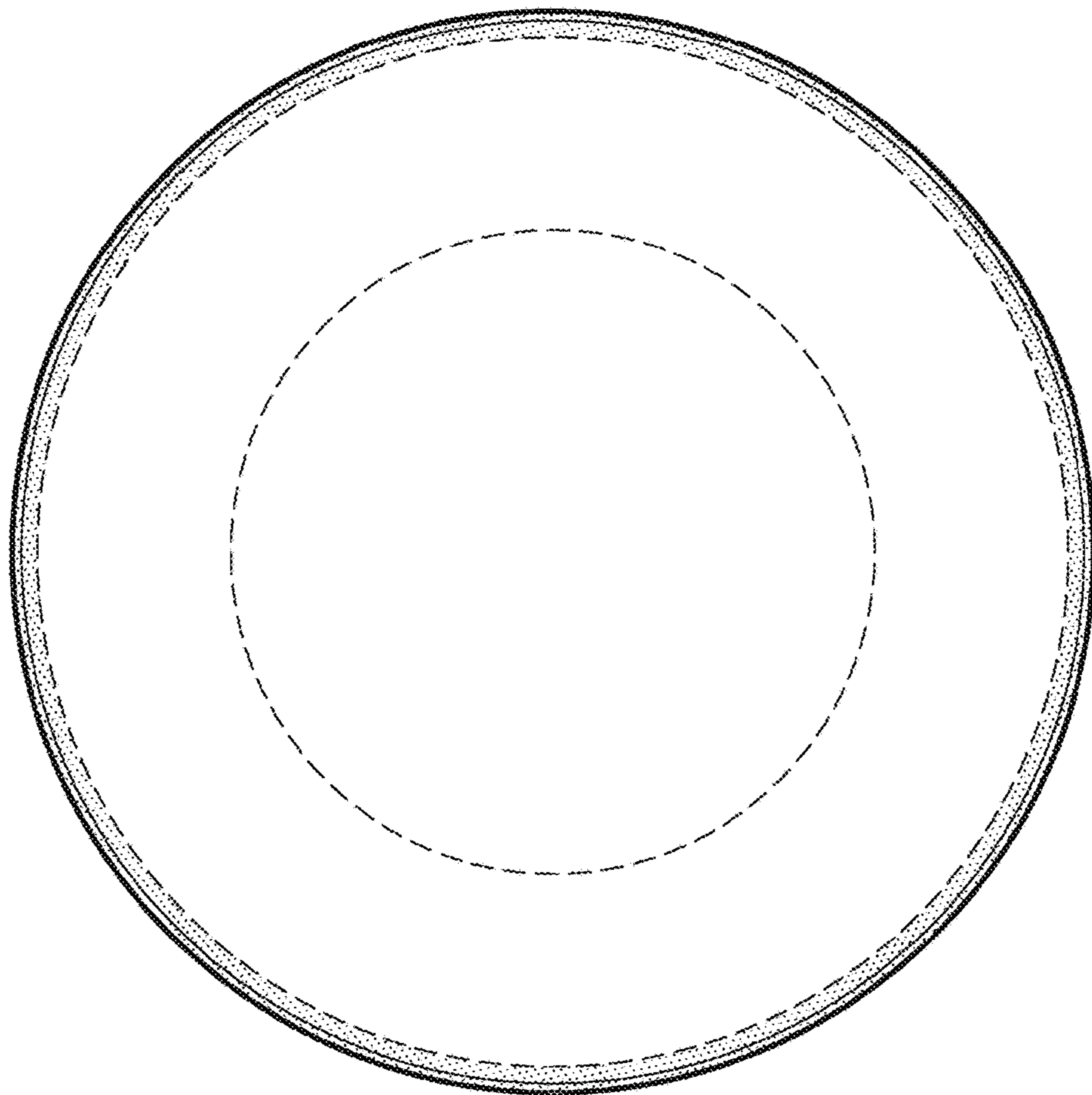


FIG. 3

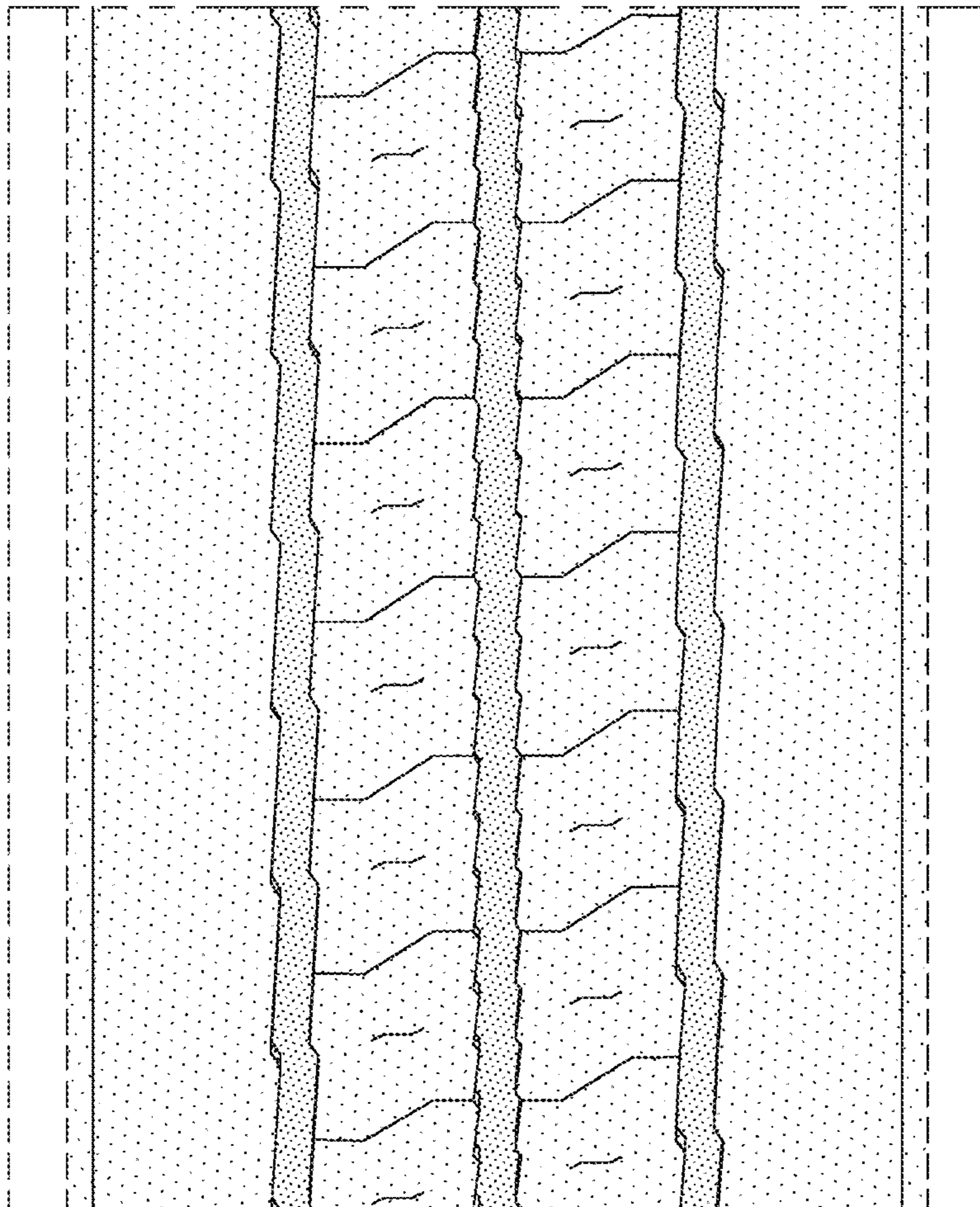


FIG. 4

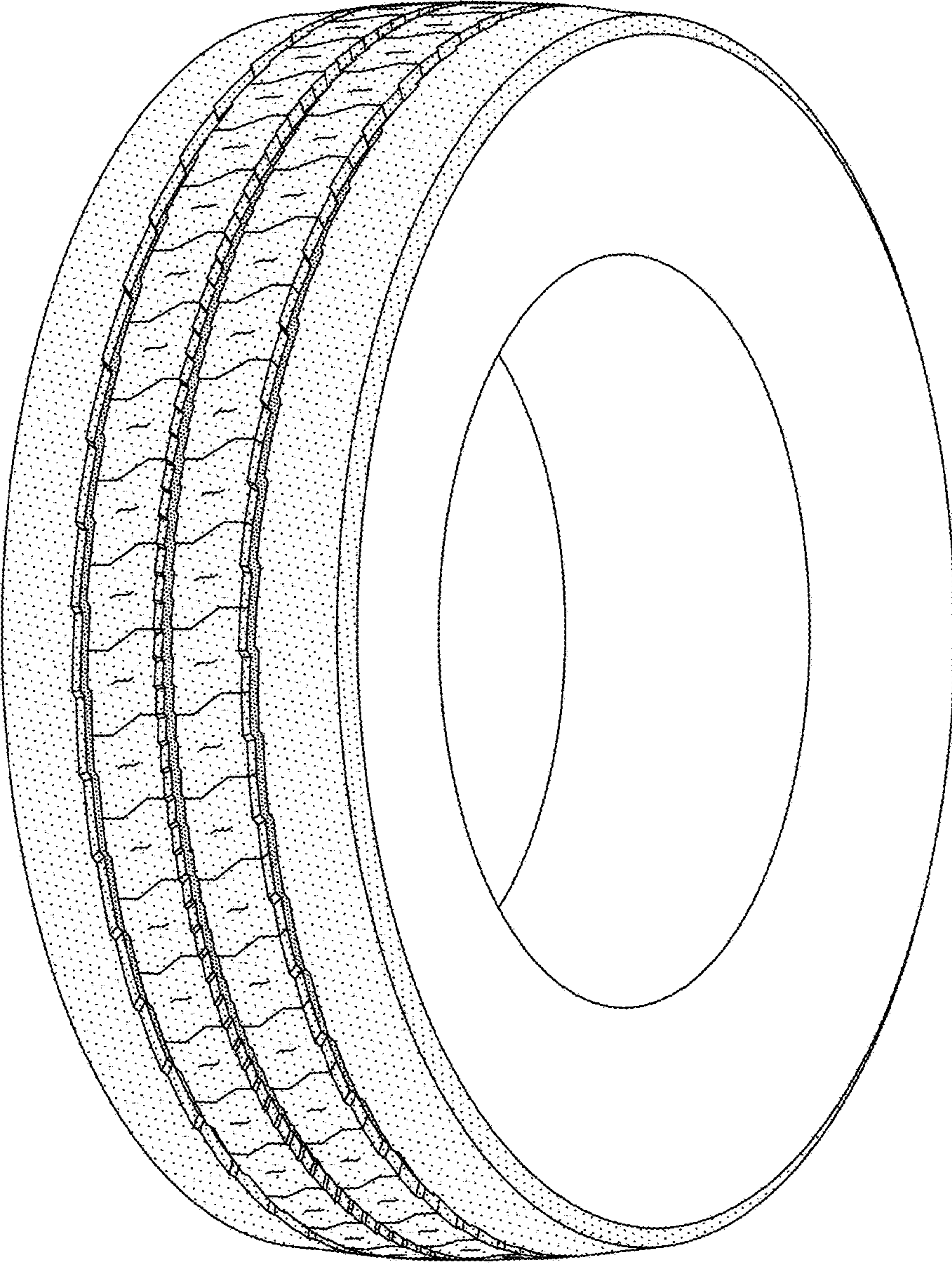


FIG. 5

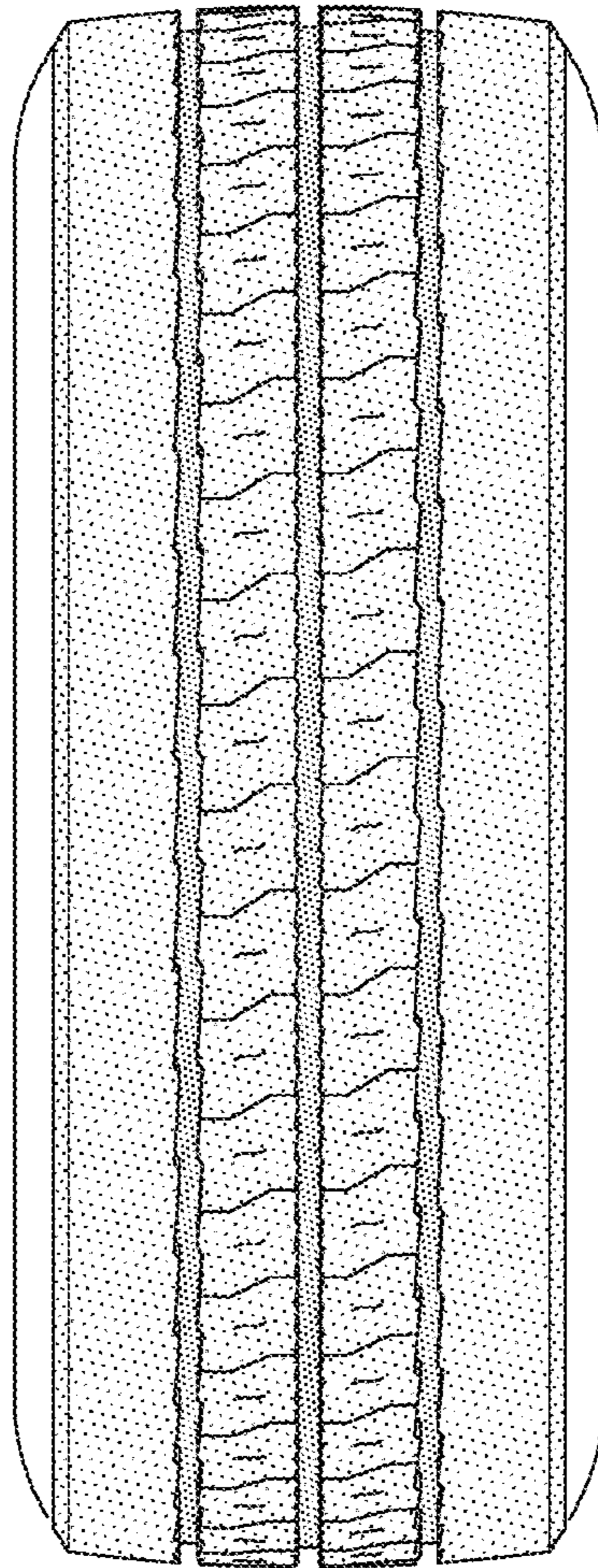


FIG. 6