



US00D823781S

(12) **United States Design Patent**
Zhu et al.

(10) **Patent No.:** **US D823,781 S**

(45) **Date of Patent:** **** *Jul. 24, 2018**

(54) **TIRE TREAD**

(71) Applicants: **Compagnie Generale des Etablissements Michelin**, Clermont-Ferrand (FR); **Michelin Recherche et Technique S.A.**, Granges-Paccot (CH)

(72) Inventors: **Fang Zhu**, Greenville, SC (US); **Terence Wallace**, Simpsonville, SC (US); **Kai Chun Yang**, Greenville, SC (US); **Charles McPillan**, Greenville, SC (US); **Clarence Hair, Jr.**, Greenville, SC (US); **Paul Crehan**, Greenville, SC (US)

(73) Assignees: **Compagnie Generale Des Etablissements Michelin**, Clermont-Ferrand (FR); **Michelin Recherche et Technique S.A.**, Granges-Paccot (CH)

(*) Notice: This patent is subject to a terminal disclaimer.

(**) Term: **15 Years**

(21) Appl. No.: **29/559,151**

(22) Filed: **Mar. 24, 2016**

(51) **LOC (11) Cl.** **12-15**

(52) **U.S. Cl.**
USPC **D12/566**

(58) **Field of Classification Search**
USPC D12/568-604, 900
CPC B60C 1/0016; B60C 11/0306; B60C 11/0302; B60C 3/06; B60C 9/17
See application file for complete search history.

(56) **References Cited**

U.S. PATENT DOCUMENTS

D471,512 S * 3/2003 Weaver D12/583
D606,010 S * 12/2009 Martin D12/583

D632,245 S * 2/2011 Audigier D12/583
D727,839 S * 4/2015 Rolland D12/583
D727,840 S * 4/2015 Rolland D12/583
D728,458 S * 5/2015 Otani D12/583
D728,460 S * 5/2015 Sylvino D12/583
D748,571 S * 2/2016 Kitajima D12/583
D761,197 S * 7/2016 Dixon D12/602
D764,393 S * 8/2016 Madar D12/588

OTHER PUBLICATIONS

US Michelin design U.S. Appl. No. 29/525,391, filed Feb. 15, 2015
US Michelin design U.S. Appl. No. 29/525,397, filed Apr. 29, 2015
EU Michelin design registration No. 002628198-0001 registered Feb. 6, 2015.

* cited by examiner

Primary Examiner — Robert M Spear
Assistant Examiner — John Voytek

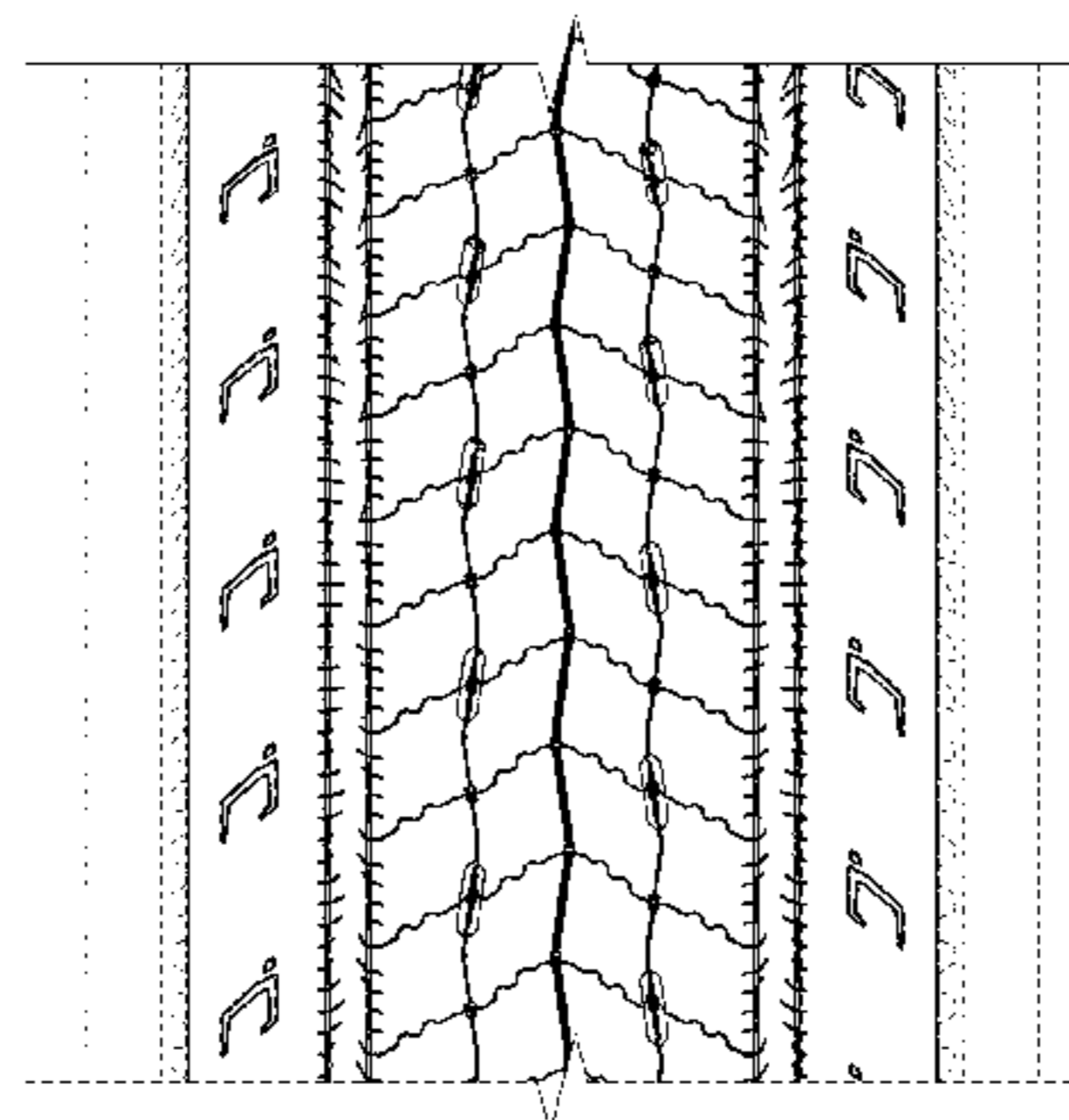
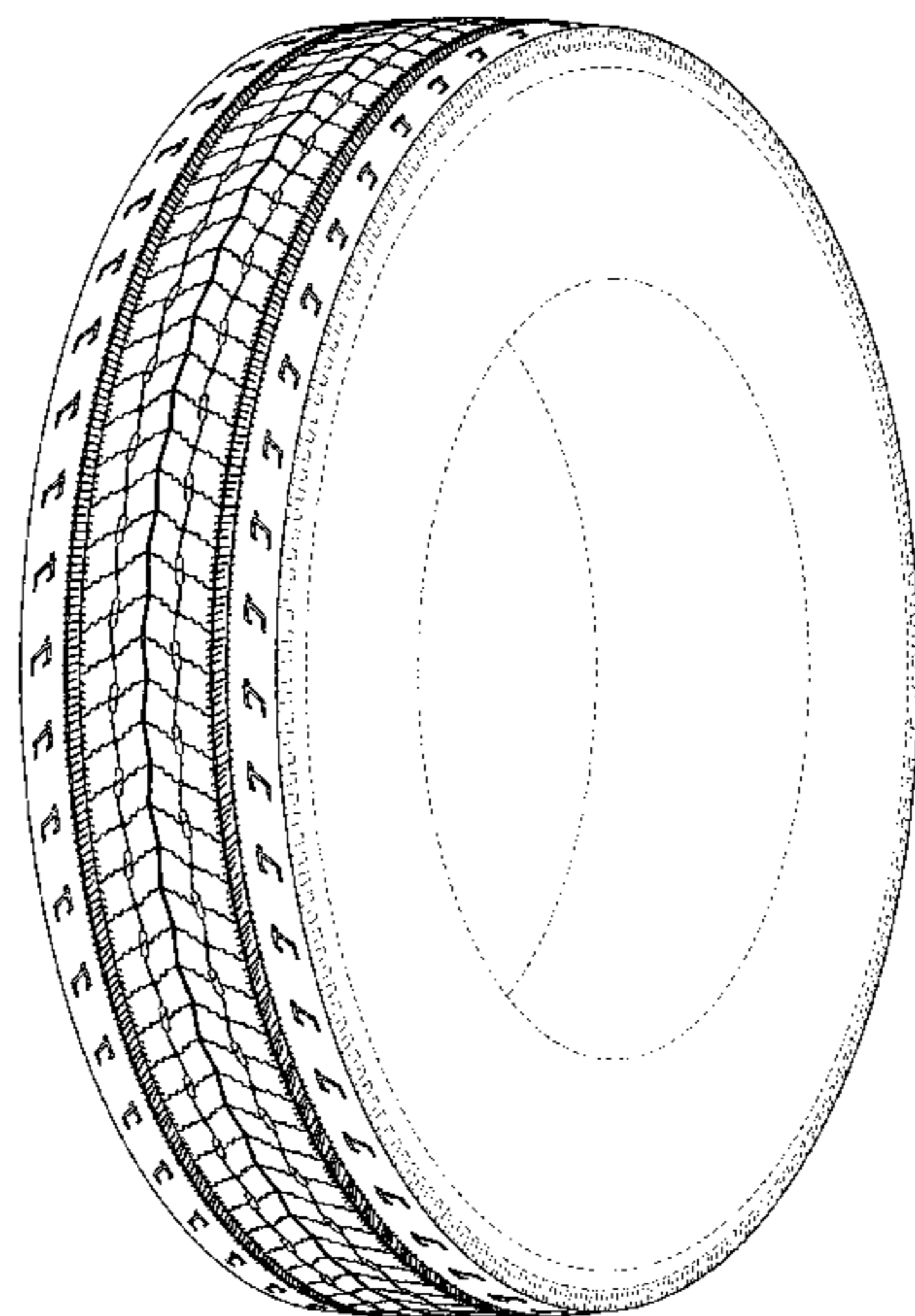
(57) **CLAIM**

The ornamental design for a tire tread, as shown and described.

DESCRIPTION

FIG. 1 is a perspective view of a tire tread showing our new design, it being understood that the tread is repeated throughout the circumference of the tire, the opposite side perspective being substantially identical thereto, it being understood that the dash-dash broken lines represent environment and form no part of the claimed design; FIG. 2 is a front elevation view thereof; FIG. 3 is a rear elevation view thereof; FIG. 4 is a side elevation view thereof, the opposite side elevation being a mirror image thereof; and FIG. 5 is an enlarged view of a portion of the tire tread of FIG. 2; and, FIG. 6 is an enlarged fragmentary view of a corner of the tire tread of FIG. 2.

1 Claim, 6 Drawing Sheets



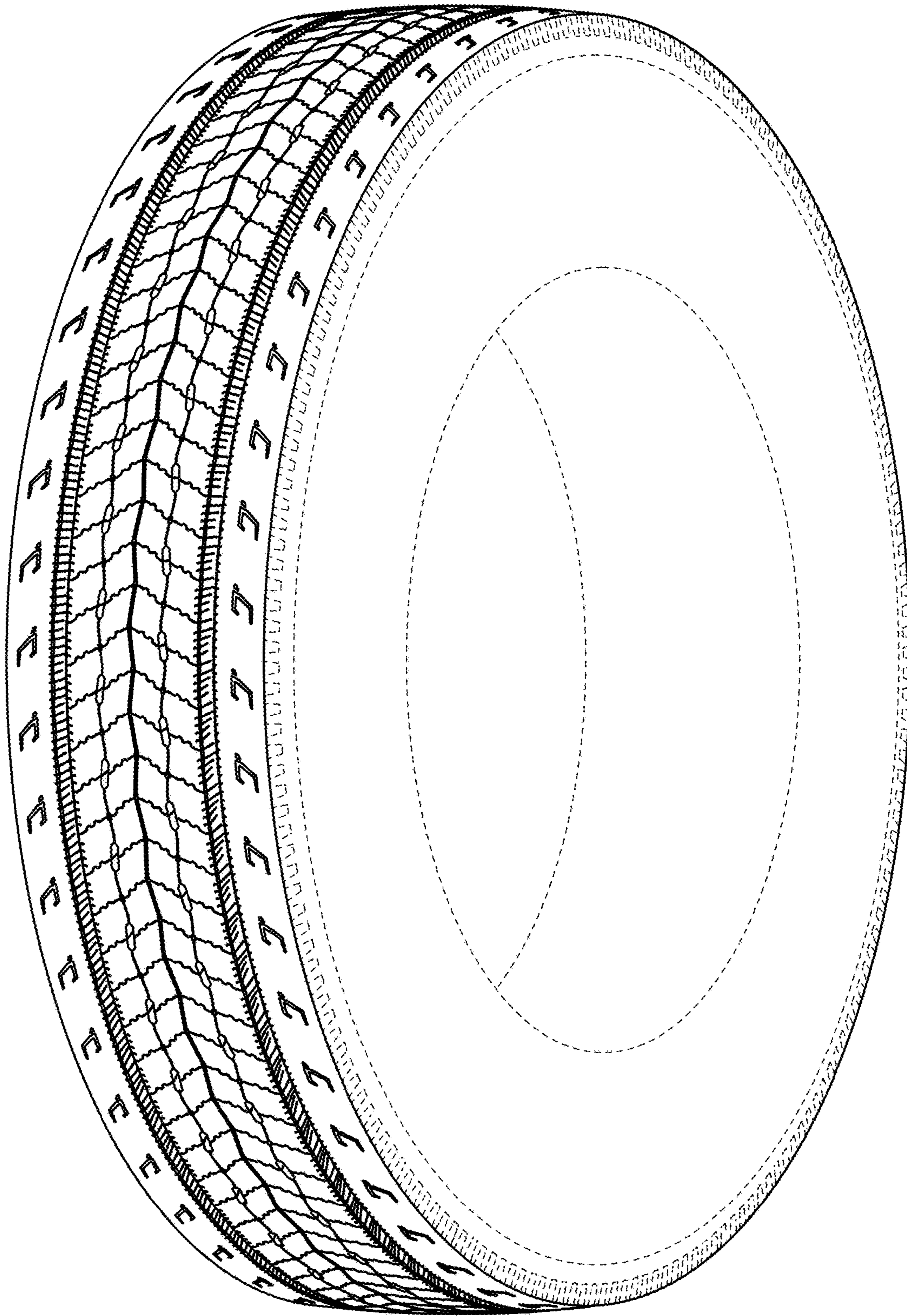


FIG. 1

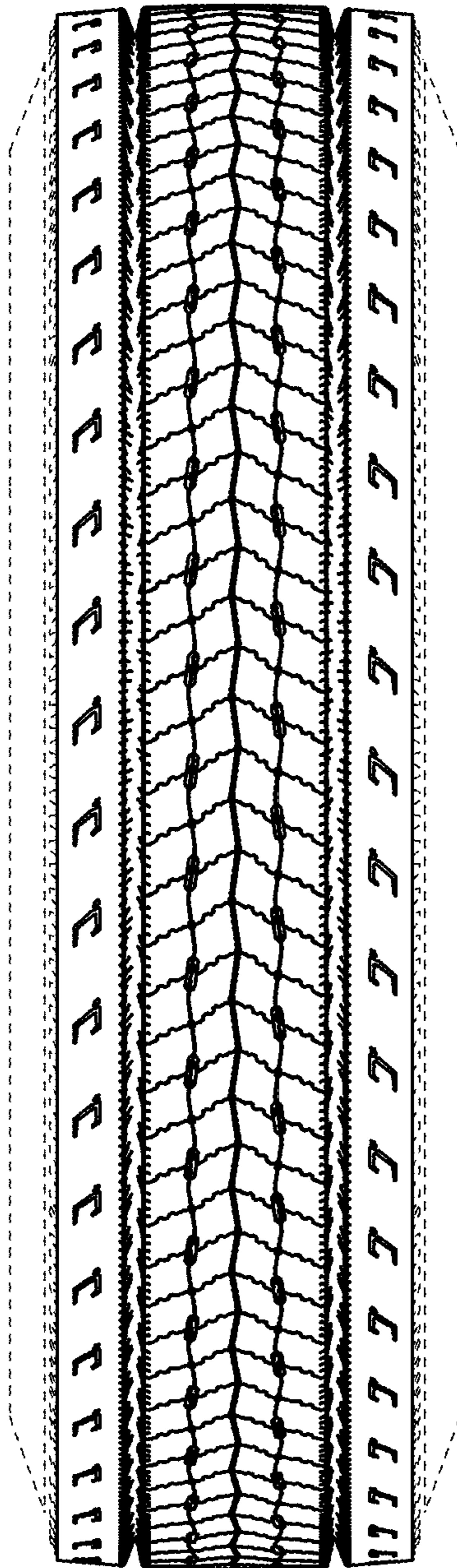


FIG. 2

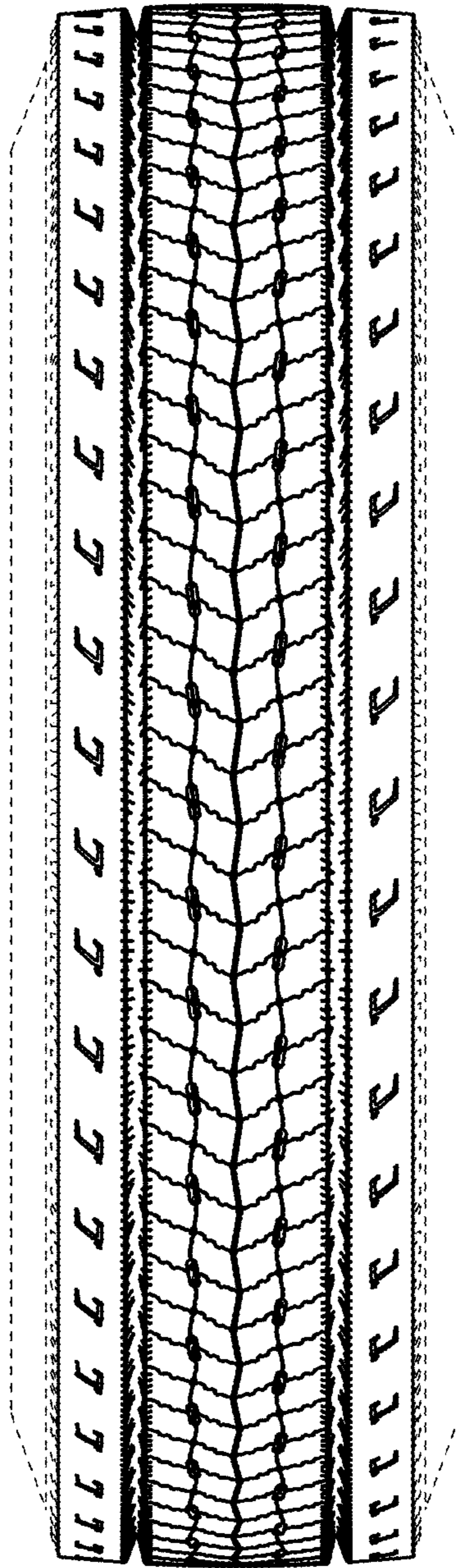


FIG. 3

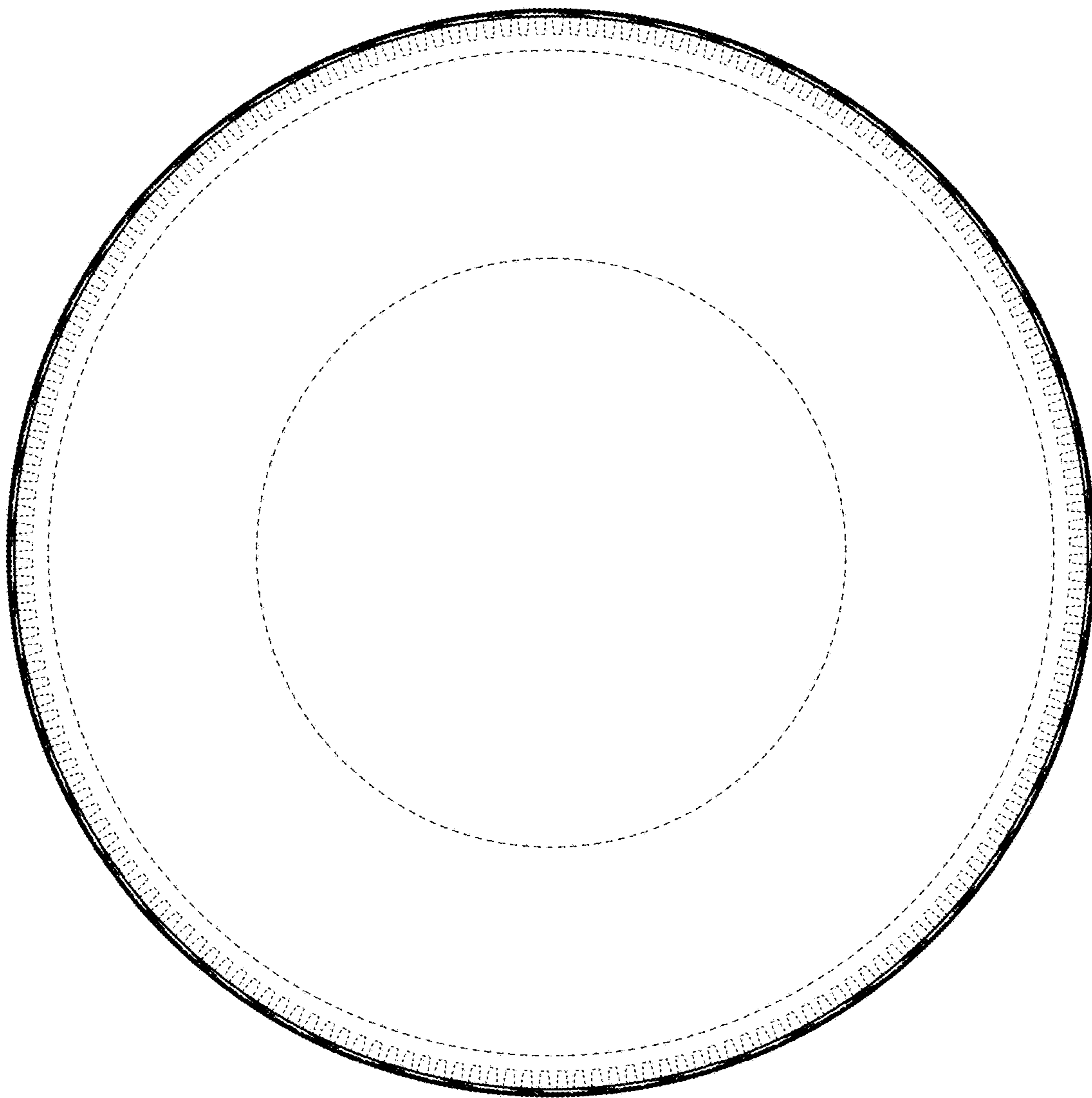


FIG. 4

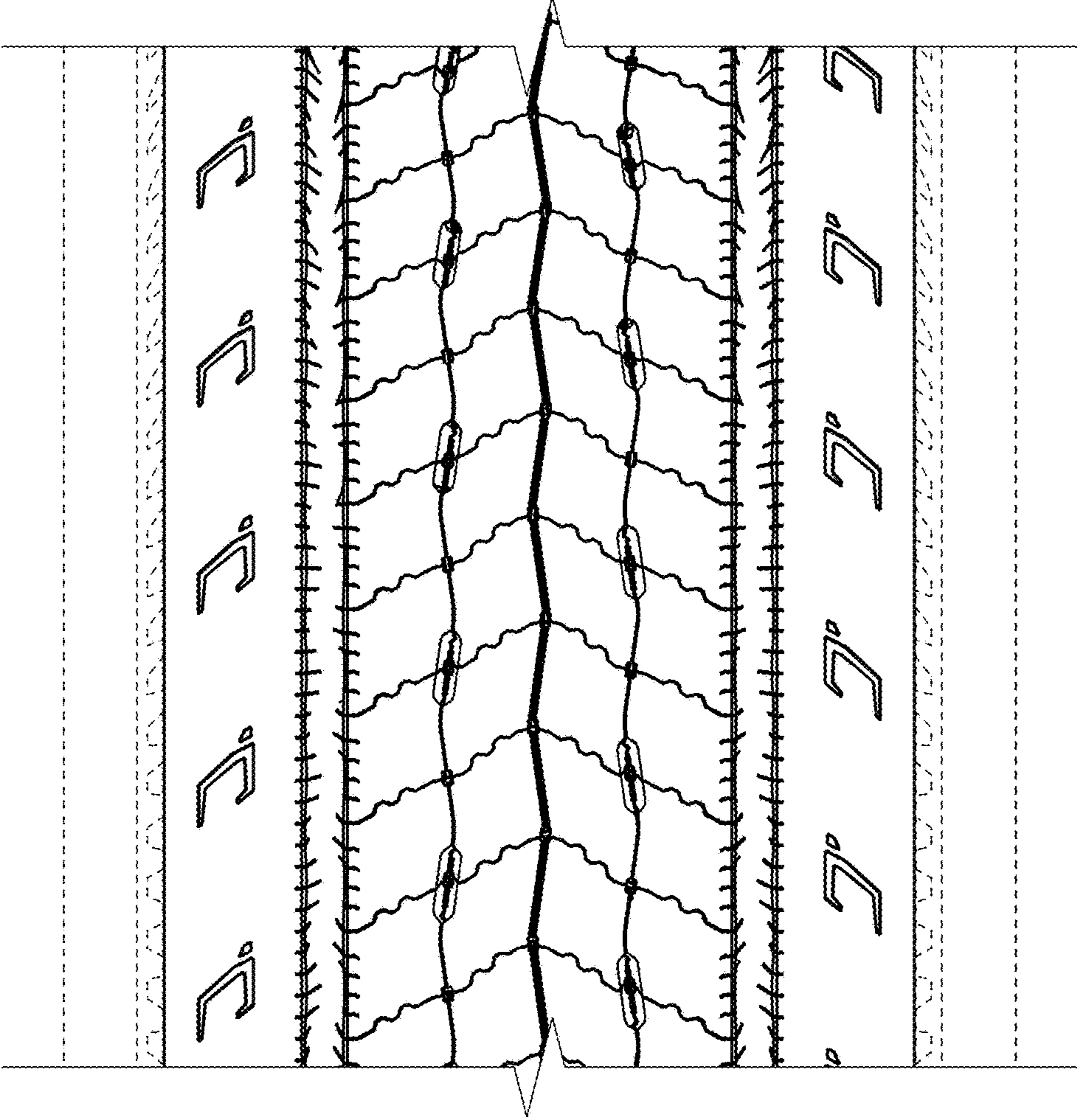


FIG. 5

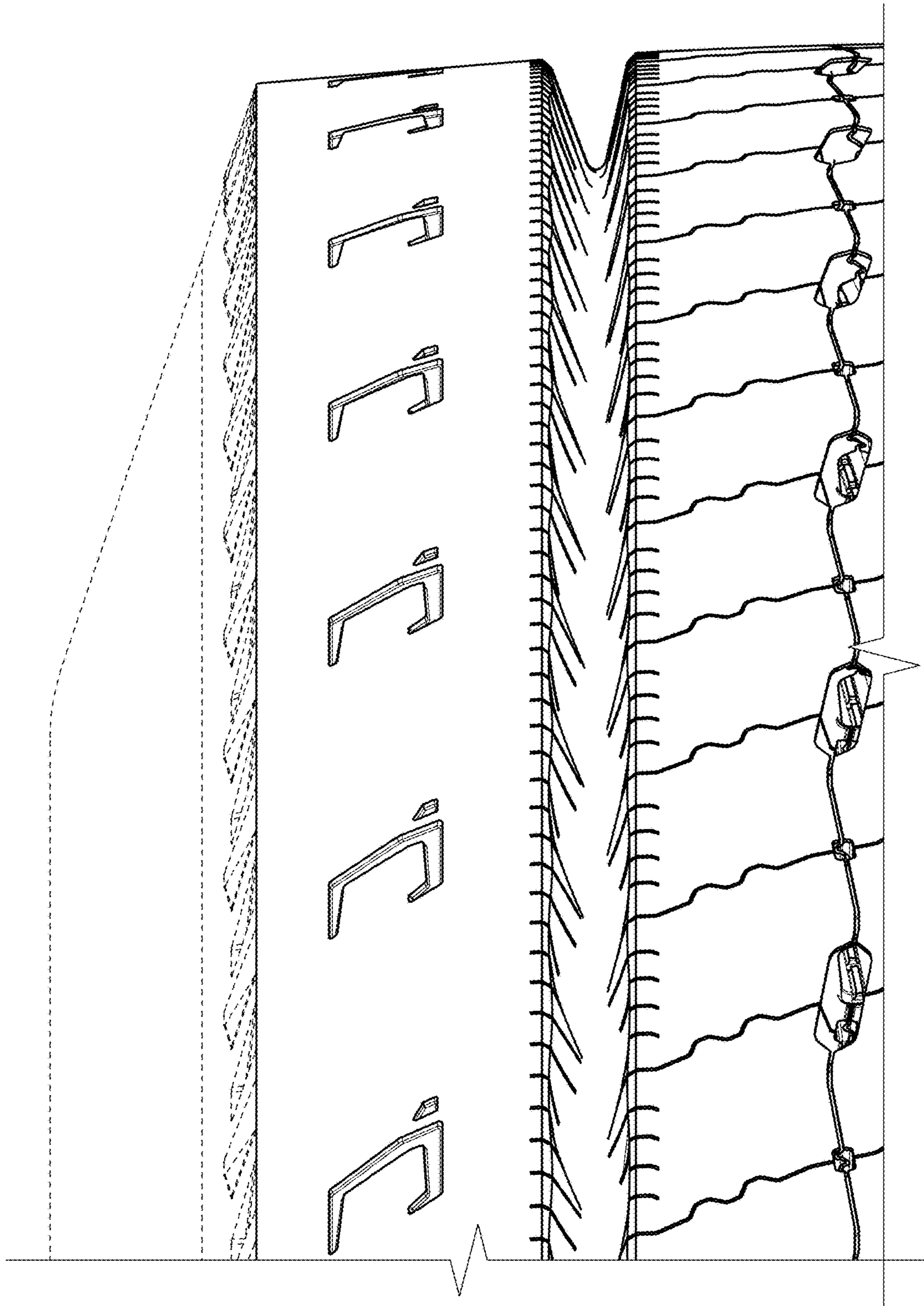


FIG. 6