



US00D823780S

(12) **United States Design Patent**
Van Miegroet et al.

(10) **Patent No.:** **US D823,780 S**
(45) **Date of Patent:** **** Jul. 24, 2018**

(54) **TIRE**
(71) Applicant: **The Goodyear Tire & Rubber Company**, Akron, OH (US)
(72) Inventors: **Laurent Nicolas Guy Dominique Van Miegroet**, Sprimont (BE); **Joel Patrice Schmitt**, Villers-la-Chevre (FR); **Franck Jean-Louis Nicolas Bouffay**, Luxembourg (LU); **Beni Rukundo**, Arlon (BE); **Franck Reygrobellet**, Howald (LU); **Philippe Jean-Marie Coton**, Habay (BE); **Phuoc Thuan Le**, Attert (BE)

(73) Assignee: **The Goodyear Tire & Rubber Company**, Akron, OH (US)

(**) Term: **15 Years**

(21) Appl. No.: **29/601,757**

(22) Filed: **Apr. 26, 2017**

(51) **LOC (11) Cl.** **12-15**

(52) **U.S. Cl.**
USPC **D12/536**

(58) **Field of Classification Search**
USPC D12/533–567
CPC B60C 11/0302; B60C 11/0311; B60C 2011/0313

See application file for complete search history.

(56) **References Cited**

U.S. PATENT DOCUMENTS

D391,203 S *	2/1998	Gillard	D12/596
D458,580 S	6/2002	Young et al.	D12/512
D500,288 S *	12/2004	Maziarka	D12/588
D517,002 S	3/2006	Welbes	D12/602
D517,468 S	3/2006	Le et al.	D12/566
D528,500 S	9/2006	Le et al.	D12/600
D534,858 S	1/2007	Le et al.	D12/553

D540,247 S *	4/2007	Lhospitalier	D12/548
D540,248 S *	4/2007	Lhospitalier	D12/548
D541,731 S	5/2007	Maziarka et al.	D12/528
D541,733 S *	5/2007	Lhospitalier	D12/548
D583,752 S	12/2008	Georges et al.	D12/553
D584,217 S	1/2009	Scheuren et al.	D12/549

(Continued)

Primary Examiner — George D. Kirschbaum

Assistant Examiner — Joseph J Kukella

(74) *Attorney, Agent, or Firm* — Robert N. Lipsik

(57) **CLAIM**

The ornamental design for a tire, as shown and described.

DESCRIPTION

FIG. 1 is a perspective view of a tire showing our new design, it being understood that the pattern repeats uniformly throughout the circumference of the tread;

FIG. 2 is a front elevational view thereof;

FIG. 3 is a right side elevational view thereof; the left side elevational view being a mirror image thereof;

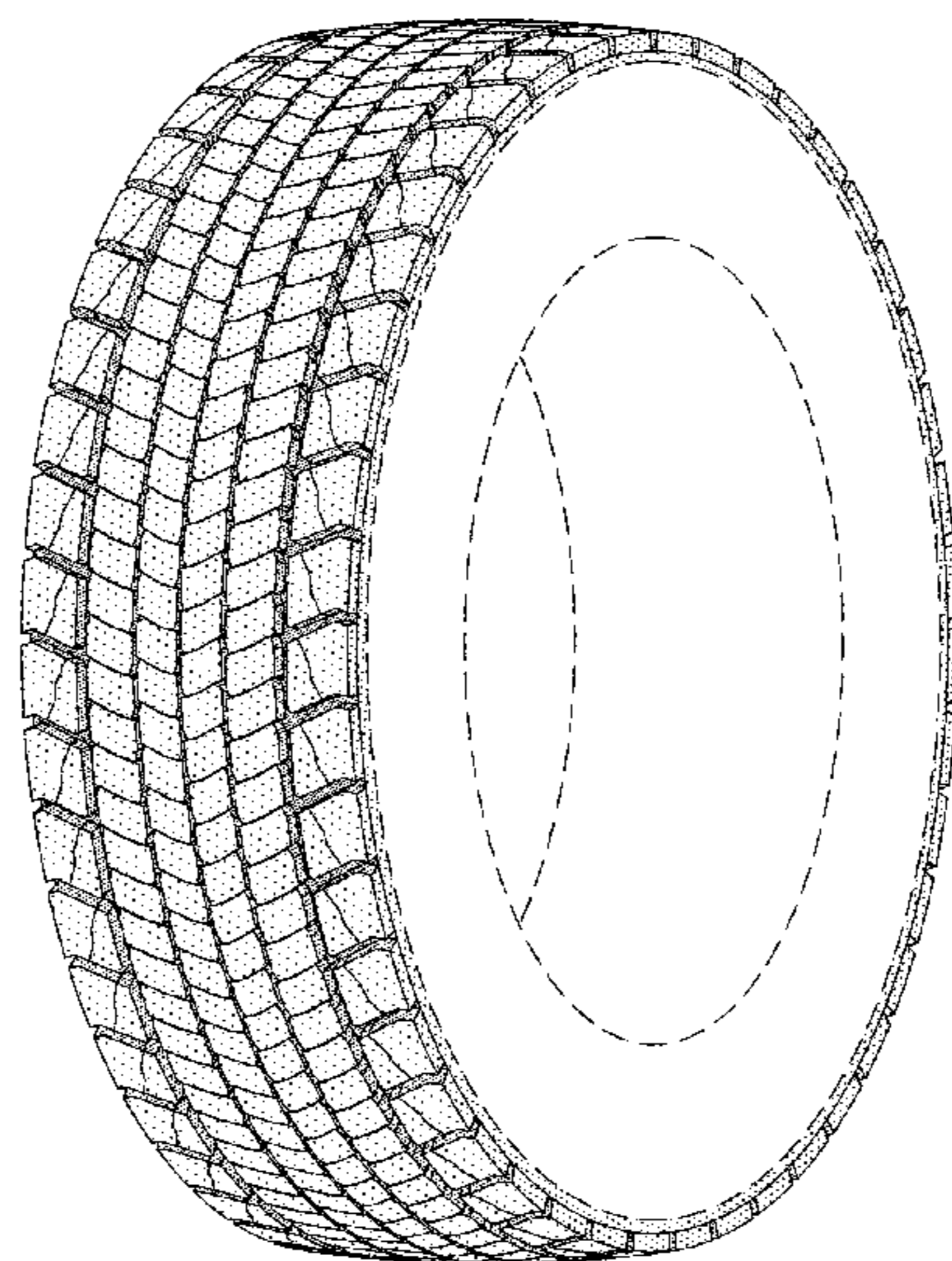
FIG. 4 is an enlarged fragmentary front elevational view thereof;

FIG. 5 is a perspective view of a second embodiment of a tire showing our new design, it being understood that the interior of the tire forms no part of the claim, that the pattern repeats uniformly throughout the circumference of the tread and that the opposite side view is a mirror image thereof; and,

FIG. 6 is a front elevational view of a second embodiment, it being understood that an enlarged fragmentary view thereof would be substantially identical to that shown in FIG. 4, with the exception of the inclusion of the sidewall in the claim.

In the drawings, the broken lines immediately adjacent to the outer edges of the tire shoulder represent boundaries of the claim, and the broken lines depict environmental subject matter only and form no part of the claimed design.

1 Claim, 6 Drawing Sheets



(56)

References Cited

U.S. PATENT DOCUMENTS

D592,590 S	5/2009	Janesh et al.	D12/600
D601,085 S	9/2009	Janesh et al.	D12/600
D604,226 S	11/2009	Scheuren	D12/553
D604,228 S	11/2009	Le et al.	D12/582
D604,229 S	11/2009	Le et al.	D12/582
D613,676 S	4/2010	Nicolas et al.	D12/567
D619,081 S	7/2010	Nicolas et al.	D12/571
D627,707 S	11/2010	Le et al.	D12/566
D627,710 S	11/2010	Rodicq et al.	D12/583
D645,394 S	9/2011	De Staercke et al.	D12/583
D648,264 S	11/2011	Le et al.	D12/588
D662,456 S	6/2012	Corsi et al.	D12/588
D666,965 S	9/2012	Aoki	D12/583
D689,814 S *	9/2013	Cambon	D12/564
D700,885 S	3/2014	Le et al.	D12/588
D702,180 S	4/2014	Le et al.	D12/588
D720,686 S *	1/2015	Koog	D12/566
D721,031 S *	1/2015	Wang	D12/536
D737,756 S	9/2015	Mathonet et al.	D12/601
D756,294 S	5/2016	Kristen	D12/587
D758,956 S *	6/2016	Mathonet	D12/565
D779,422 S	2/2017	Bortolet et al.	D12/602
D791,688 S *	7/2017	Trowbridge	D12/548

* cited by examiner

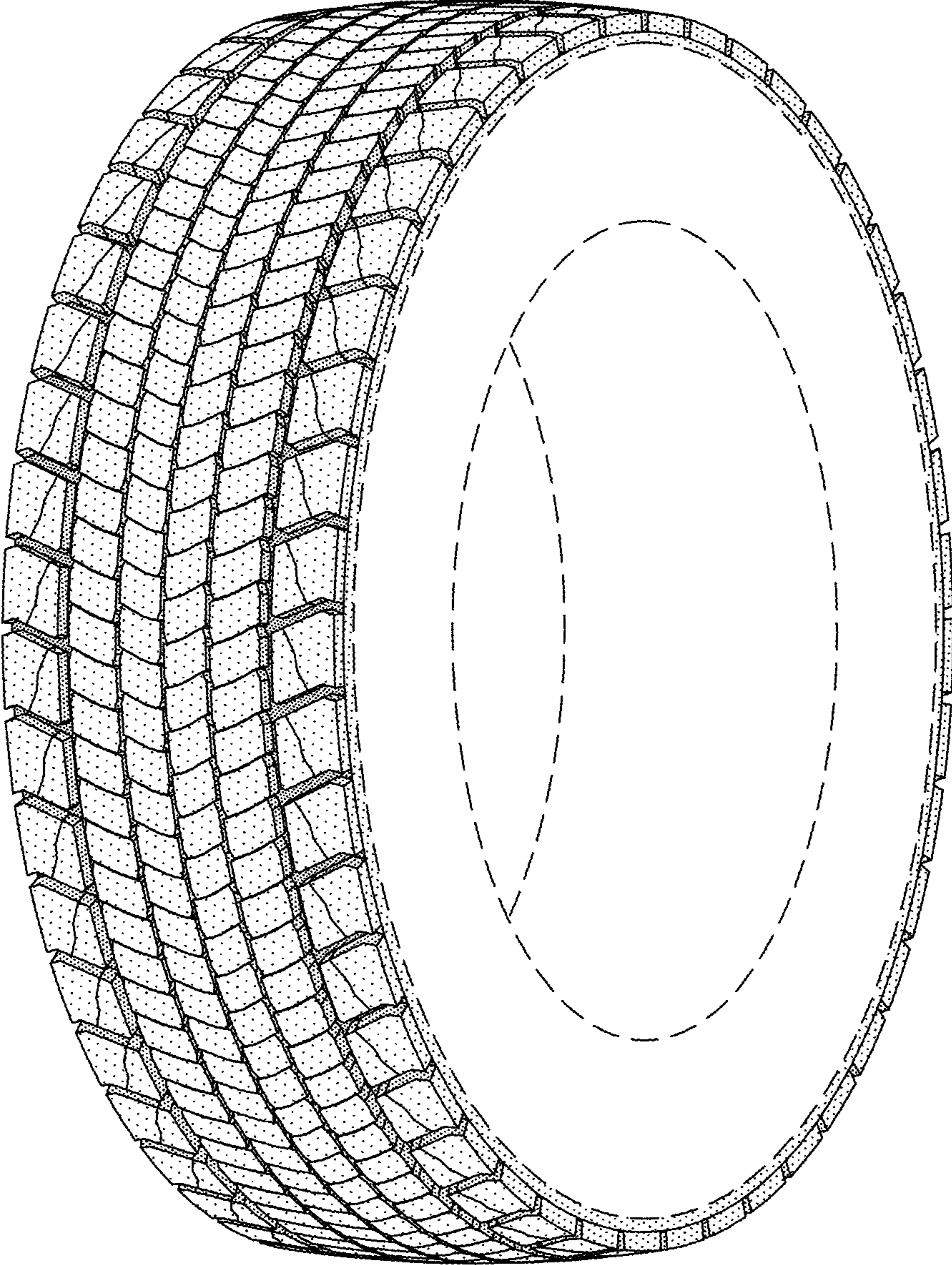


FIG. 1

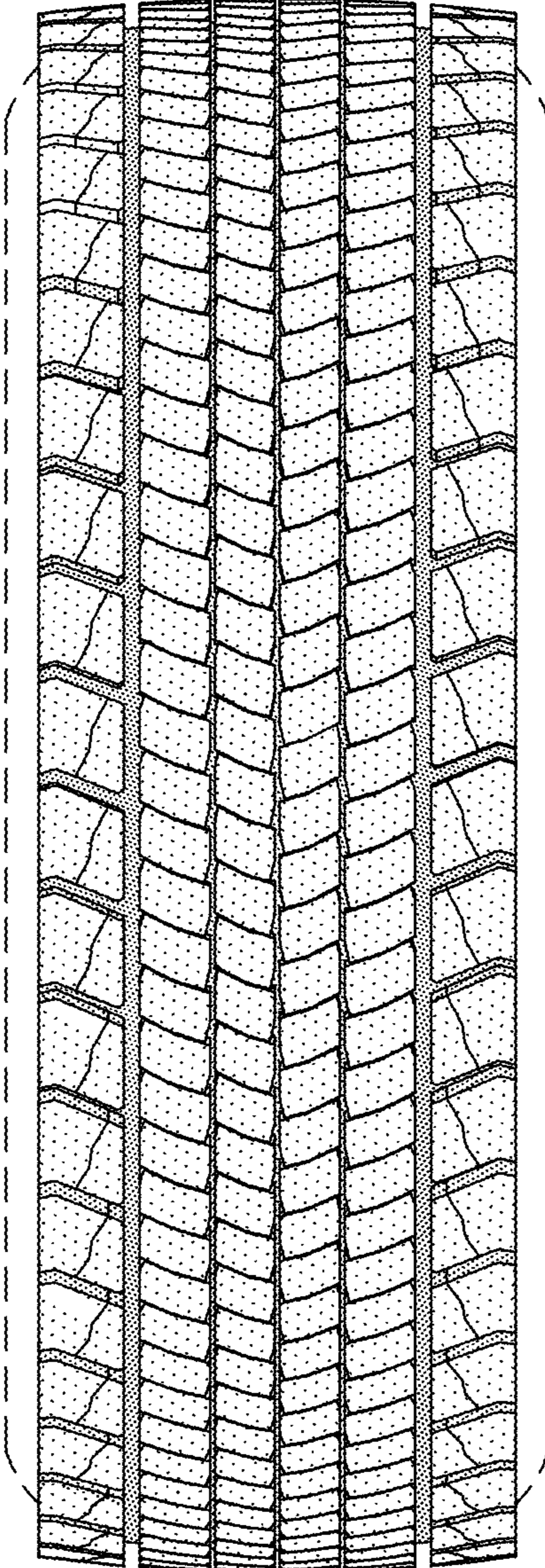


FIG. 2

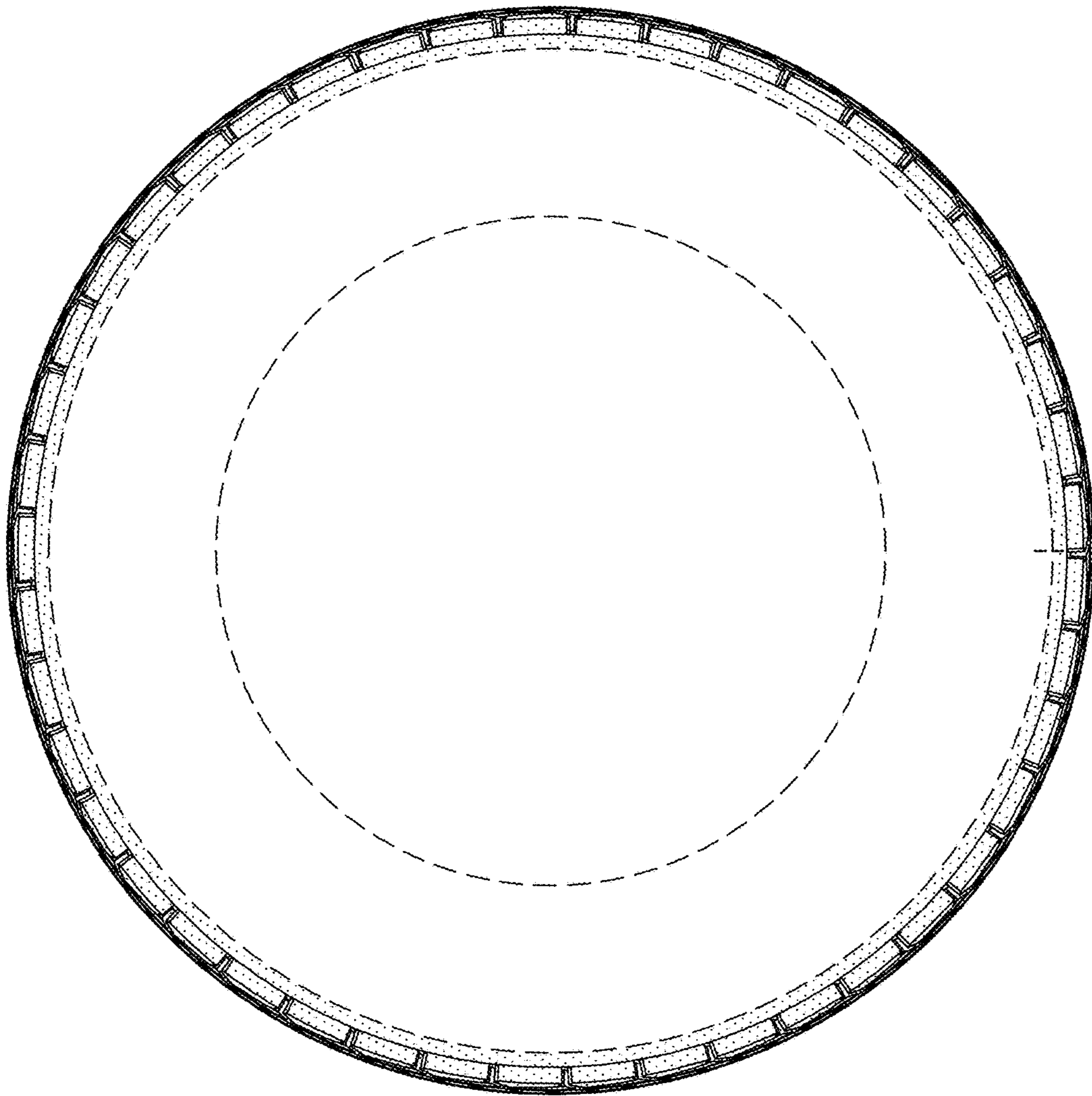


FIG. 3

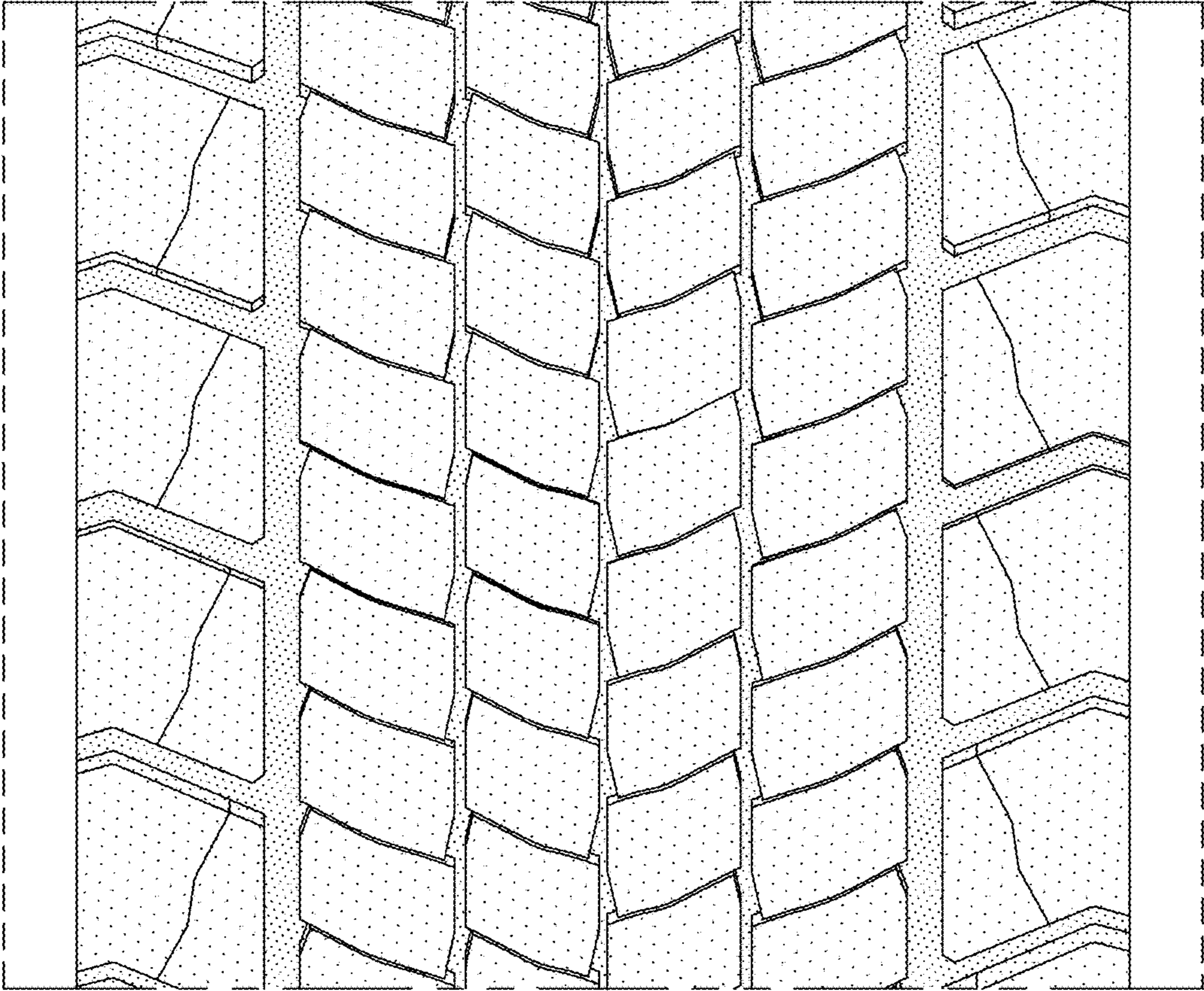


FIG. 4

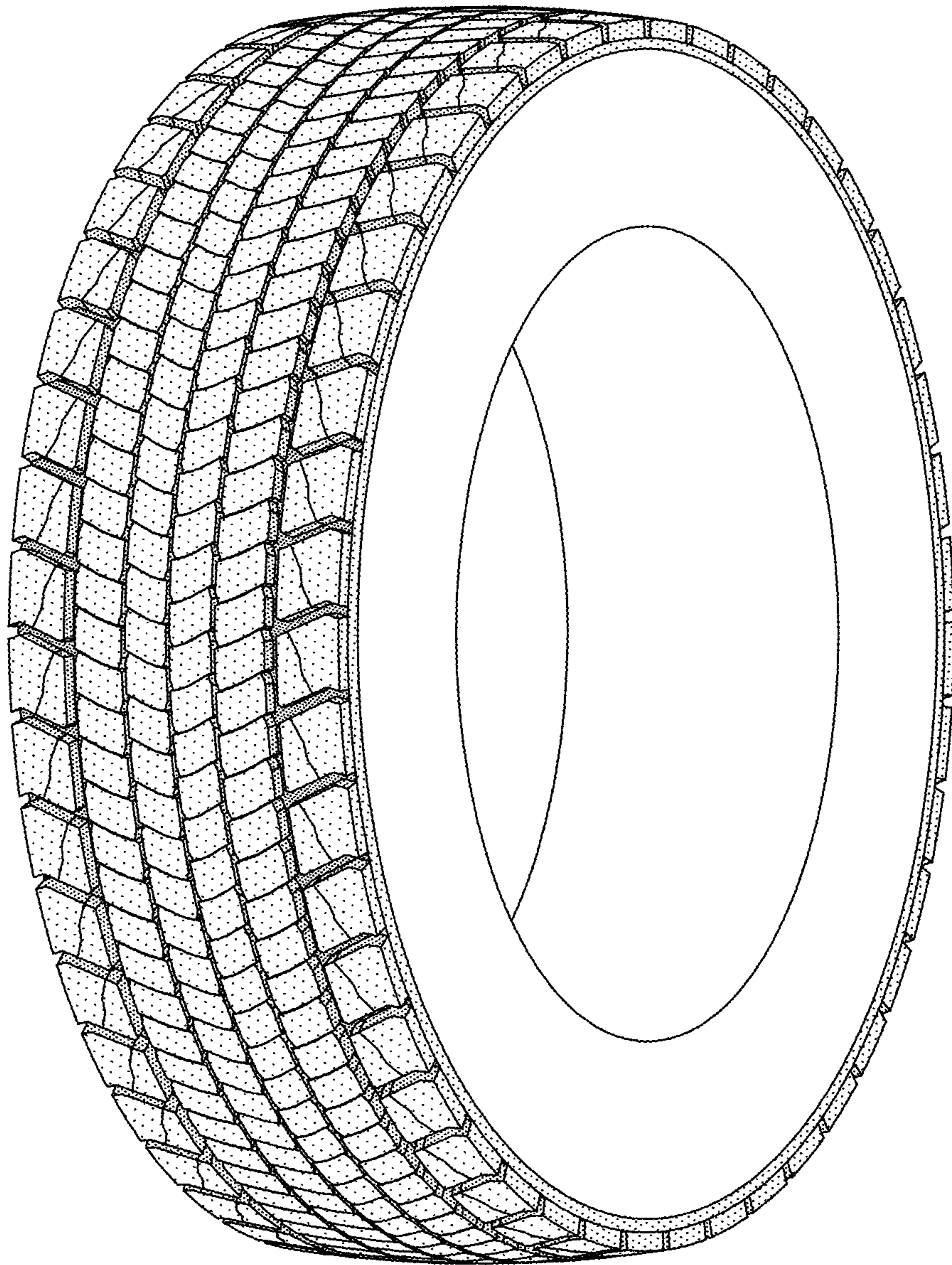


FIG. 5

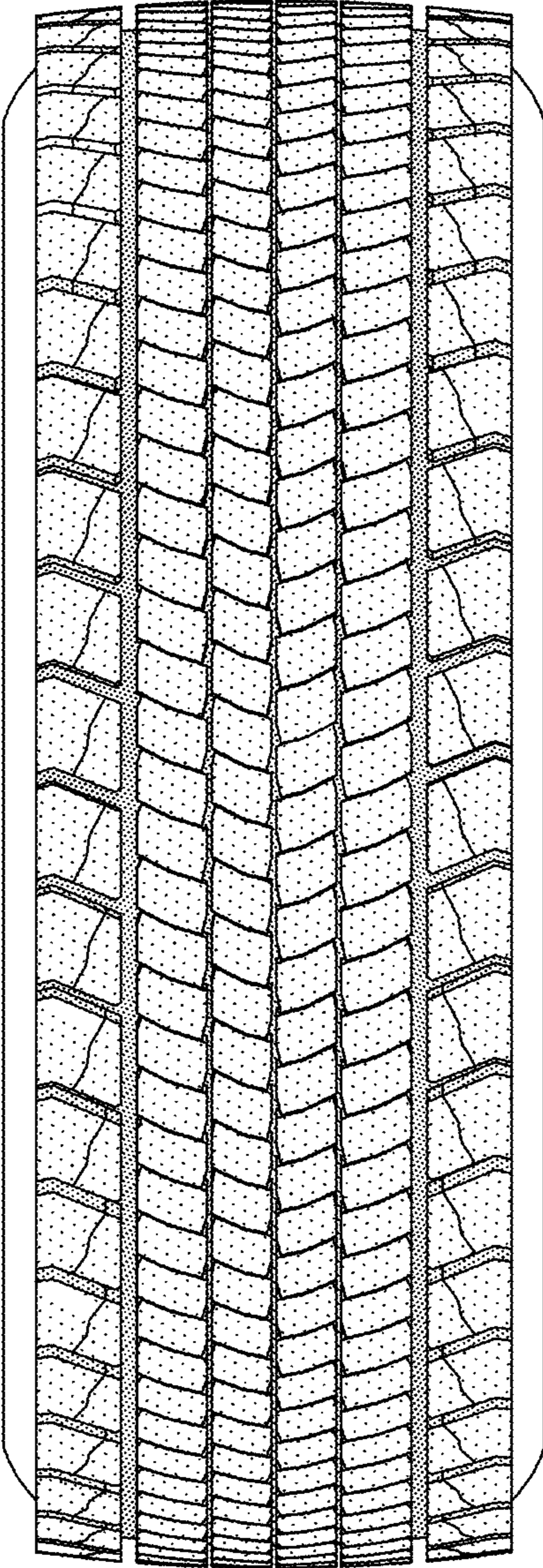


FIG. 6