



US00D823777S

(12) **United States Design Patent**  
**Ninov et al.**

(10) **Patent No.:** **US D823,777 S**

(45) **Date of Patent:** **\*\* Jul. 24, 2018**

(54) **AUTOMOBILE WHEEL**

(71) Applicants: **Deyan Ninov**, Royal Oak, MI (US);  
**Nicholas Vardis**, Sylvan Lake, MI (US)

(72) Inventors: **Deyan Ninov**, Royal Oak, MI (US);  
**Nicholas Vardis**, Sylvan Lake, MI (US)

(73) Assignee: **FCA US LLC**, Auburn Hills, MI (US)

(\*\*) Term: **15 Years**

(21) Appl. No.: **29/597,863**

(22) Filed: **Mar. 21, 2017**

(51) **LOC (11) Cl.** ..... **12-16**

(52) **U.S. Cl.**  
USPC ..... **D12/211**

(58) **Field of Classification Search**  
USPC ..... D12/400, 204-213, 217, 501; D9/452,  
D9/538, 541, 546, 559, 669; D7/506,  
D7/539, 540, 556, 563, 567, 615, 675,  
D7/677; D21/763, 771, 779, 495, 561,  
D21/563

CPC .... B60B 7/00; B60B 7/02; B60B 7/04; B60B  
7/01; B60B 7/06; B60B 3/02; B60B 3/04;  
B60B 3/06; B60B 3/10; B60B 1/00;  
B60B 1/08; B60B 1/10; B60B 1/12  
See application file for complete search history.

(56) **References Cited**

**U.S. PATENT DOCUMENTS**

4,256,348	A	*	3/1981	Lester	.....	B60B 1/08
						29/447
D469,048	S	*	1/2003	van Hooydonk	.....	D12/209
D470,094	S	*	2/2003	van Hooydonk	.....	D12/211
D476,938	S	*	7/2003	Hatori	.....	D12/209
D480,036	S	*	9/2003	Laengerer	.....	D12/211
D483,714	S	*	12/2003	Warming	.....	D12/211
D504,648	S	*	5/2005	Pfeiffer	.....	D12/209

D515,490	S	*	2/2006	Pfeiffer	.....	D12/209
D524,219	S	*	7/2006	Scheu	.....	D12/211
D528,495	S	*	9/2006	Truebsbach	.....	D12/211
D530,253	S	*	10/2006	Coutts	.....	D12/209
D537,767	S	*	3/2007	Pfeiffer	.....	D12/211
D542,209	S	*	5/2007	Pfeiffer	.....	D12/211
D545,750	S	*	7/2007	Young	.....	D12/211
D548,165	S	*	8/2007	Young	.....	D12/211
D582,831	S	*	12/2008	Musser	.....	D12/211
D585,353	S	*	1/2009	Scheu	.....	D12/211
D587,180	S	*	2/2009	Pfeiffer	.....	D12/209
D601,075	S	*	9/2009	Szavits	.....	D12/211
D604,685	S	*	11/2009	Zhou	.....	D12/211
D614,107	S	*	4/2010	Juergens	.....	D12/209
D623,108	S	*	9/2010	Spoerle	.....	D12/209
D623,114	S	*	9/2010	Geisler	.....	D12/211
D645,391	S	*	9/2011	Weil	.....	D12/209
D648,254	S	*	11/2011	Barry	.....	D12/209
D651,956	S	*	1/2012	Ectors	.....	D12/209
D656,447	S	*	3/2012	Johnson	.....	D12/211
D656,451	S	*	3/2012	Zhao	.....	D12/211
D660,771	S	*	5/2012	Mueller-Stolz	.....	D12/211
D663,247	S	*	7/2012	Bildhaeuser	.....	D12/209
D664,081	S	*	7/2012	Muller	.....	D12/209

(Continued)

*Primary Examiner* — Susan Bennett Hattan

*Assistant Examiner* — Marie D. Fast Horse

(74) *Attorney, Agent, or Firm* — Ralph E. Smith

(57) **CLAIM**

The ornamental design for an automobile wheel, as shown and described.

**DESCRIPTION**

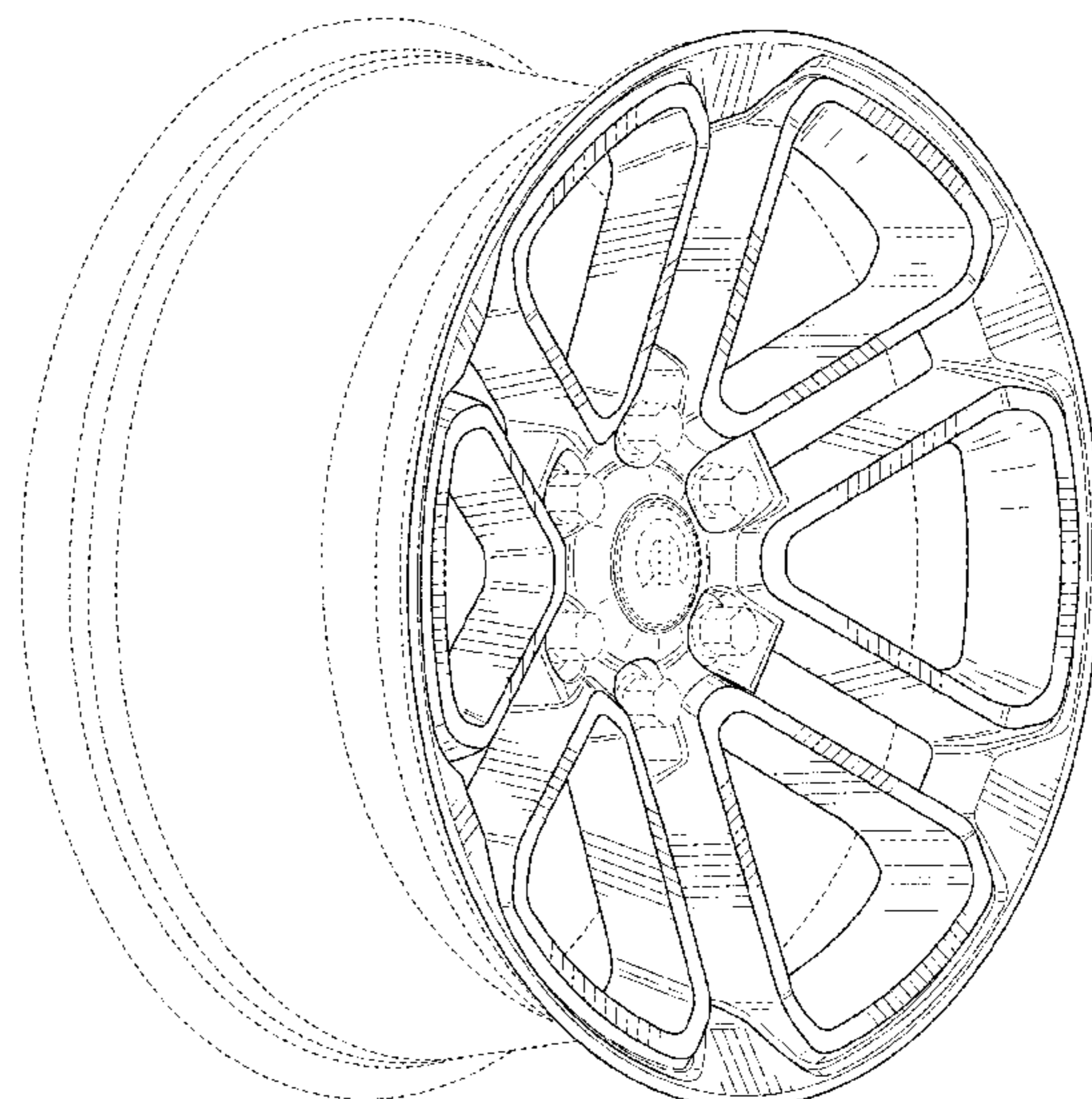
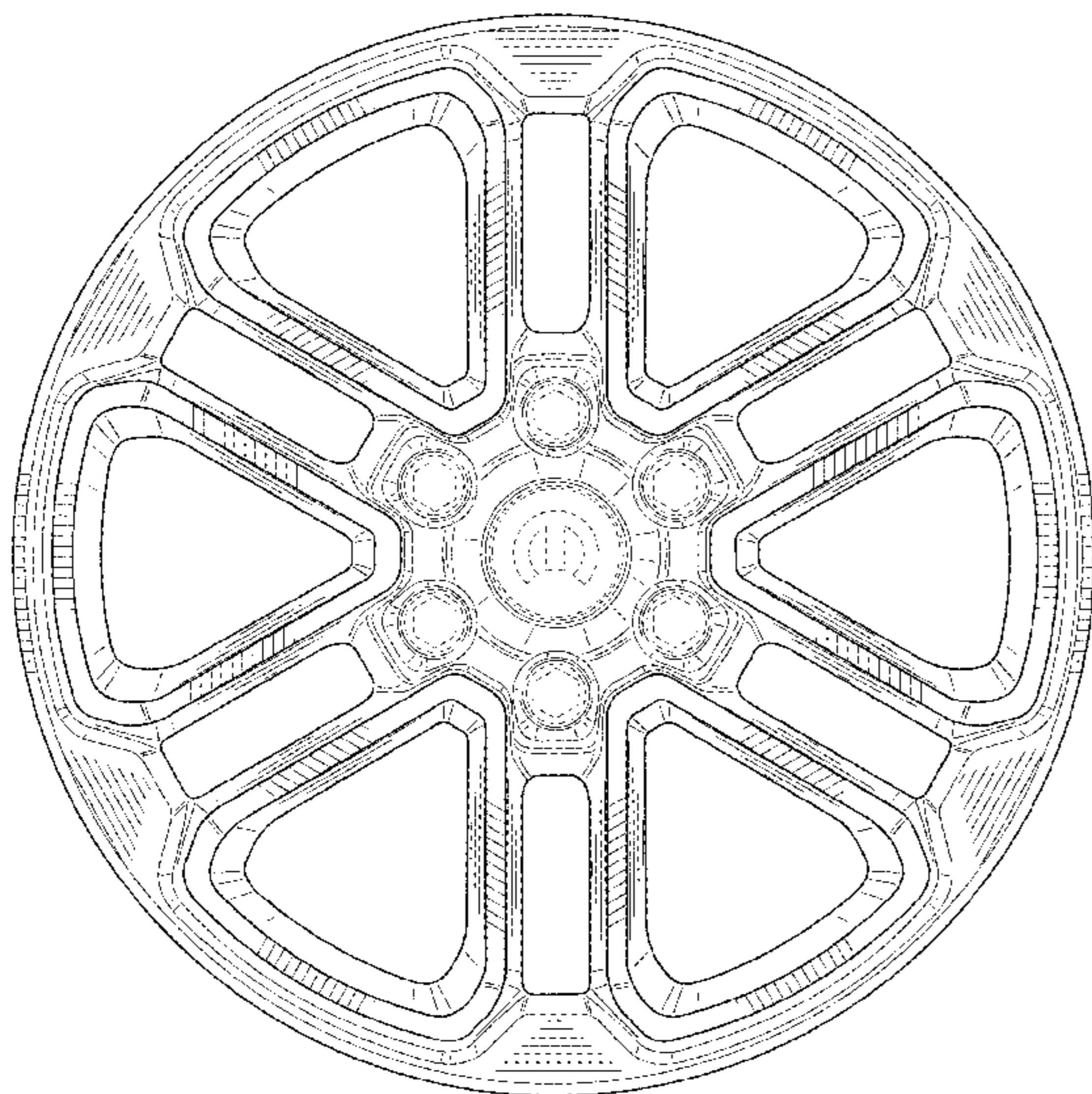
FIG. 1 is a front view of an automobile wheel showing our new design;

FIG. 2 is left side perspective view thereof; and,

FIG. 3 is a right side perspective view.

The broken lines shown in the drawings depict portions of the automobile wheel that form no part of claimed design.

**1 Claim, 3 Drawing Sheets**



(56)

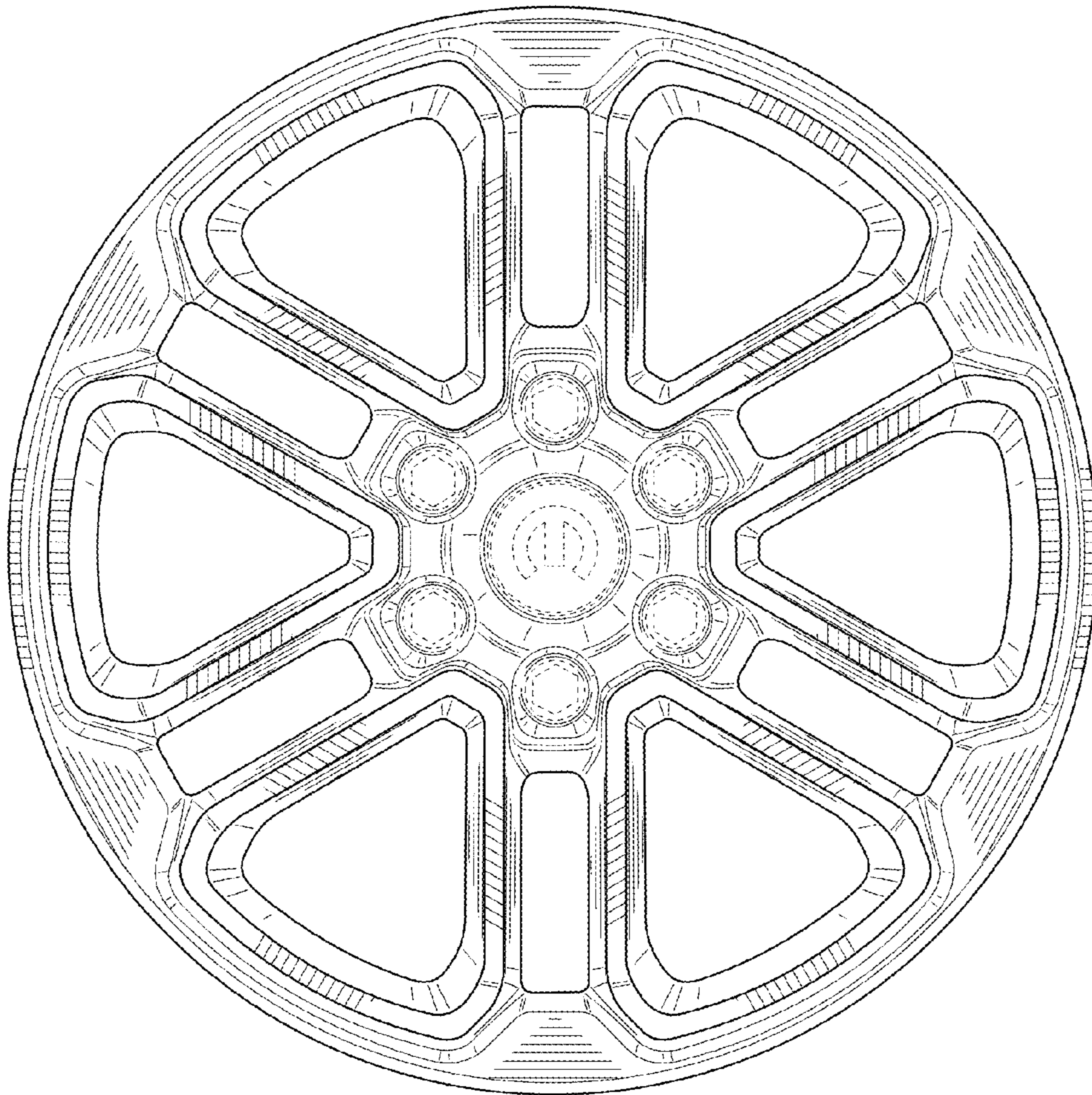
References Cited

U.S. PATENT DOCUMENTS

D671,057 S *	11/2012	Tanevski .....	D12/209	D765,002 S	8/2016	Hoste et al.	
D683,689 S *	6/2013	Fahr-Becker .....	D12/211	D775,049 S *	12/2016	Scheer .....	D12/211
D688,181 S *	8/2013	Gotschke .....	D12/209	D775,050 S *	12/2016	Vidojkovic .....	D12/211
D696,616 S *	12/2013	Gueler .....	D12/209	D776,039 S *	1/2017	Valencia Pollex .....	D12/209
D697,002 S *	1/2014	Tanevski .....	D12/209	D781,766 S *	3/2017	Galante .....	D12/209
D698,720 S *	2/2014	Farh-Becker .....	D12/211	D784,895 S *	4/2017	Platto .....	D12/211
D704,617 S *	5/2014	Chung .....	D12/211	D786,161 S *	5/2017	Vartola .....	D12/211
D713,316 S *	9/2014	Song .....	D12/211	D792,307 S *	7/2017	Macey .....	D12/209
D714,203 S *	9/2014	George .....	D12/209	D792,313 S *	7/2017	Langhals .....	D12/211
D715,719 S *	10/2014	Platto .....	D12/209	9,707,800 B2 *	7/2017	Stratton .....	B60B 7/18
D722,546 S *	2/2015	Perini .....	D12/209	D797,029 S *	9/2017	Chung .....	D12/211
D726,619 S *	4/2015	Gotschke .....	D12/209	D800,625 S *	10/2017	Svensson .....	D12/209
D755,105 S *	5/2016	Garbas .....	D12/211	D800,628 S *	10/2017	Tran .....	D12/209
D757,628 S	5/2016	Rolfs et al.		D802,509 S *	11/2017	Tran .....	D12/209
D757,629 S	5/2016	Hubers et al.		D803,136 S *	11/2017	Platto .....	D12/211
D763,761 S *	8/2016	Dionisopoulos .....	D12/209	D803,751 S *	11/2017	Chung .....	D12/209
D763,763 S *	8/2016	Stone .....	D12/209	D805,991 S *	12/2017	Platto .....	D12/209
				D806,631 S *	1/2018	Sempek .....	D12/211
				2013/0026816 A1 *	1/2013	Kia .....	B60B 1/14 301/95.102

\* cited by examiner





**FIG. 1**

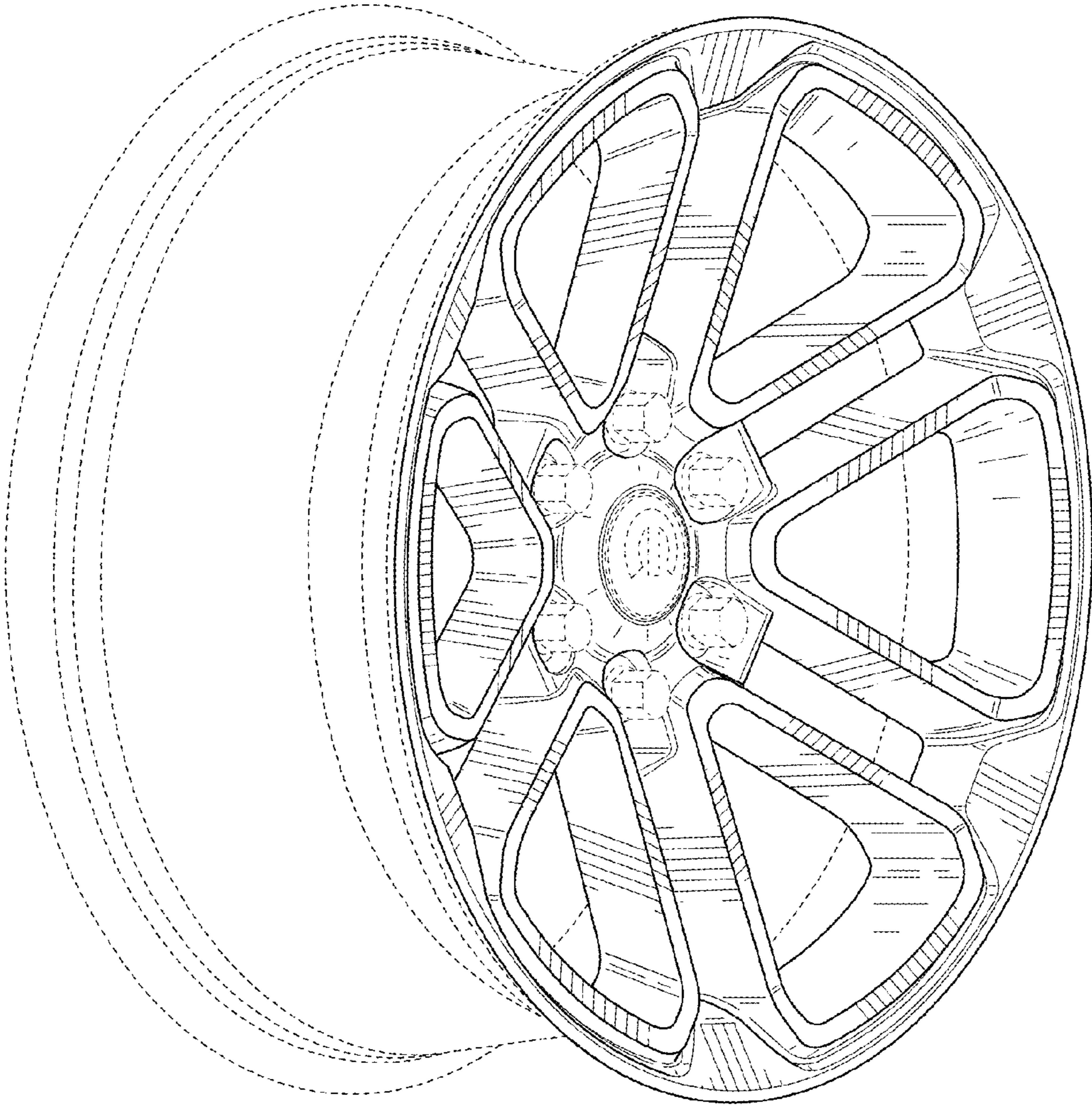


FIG. 2



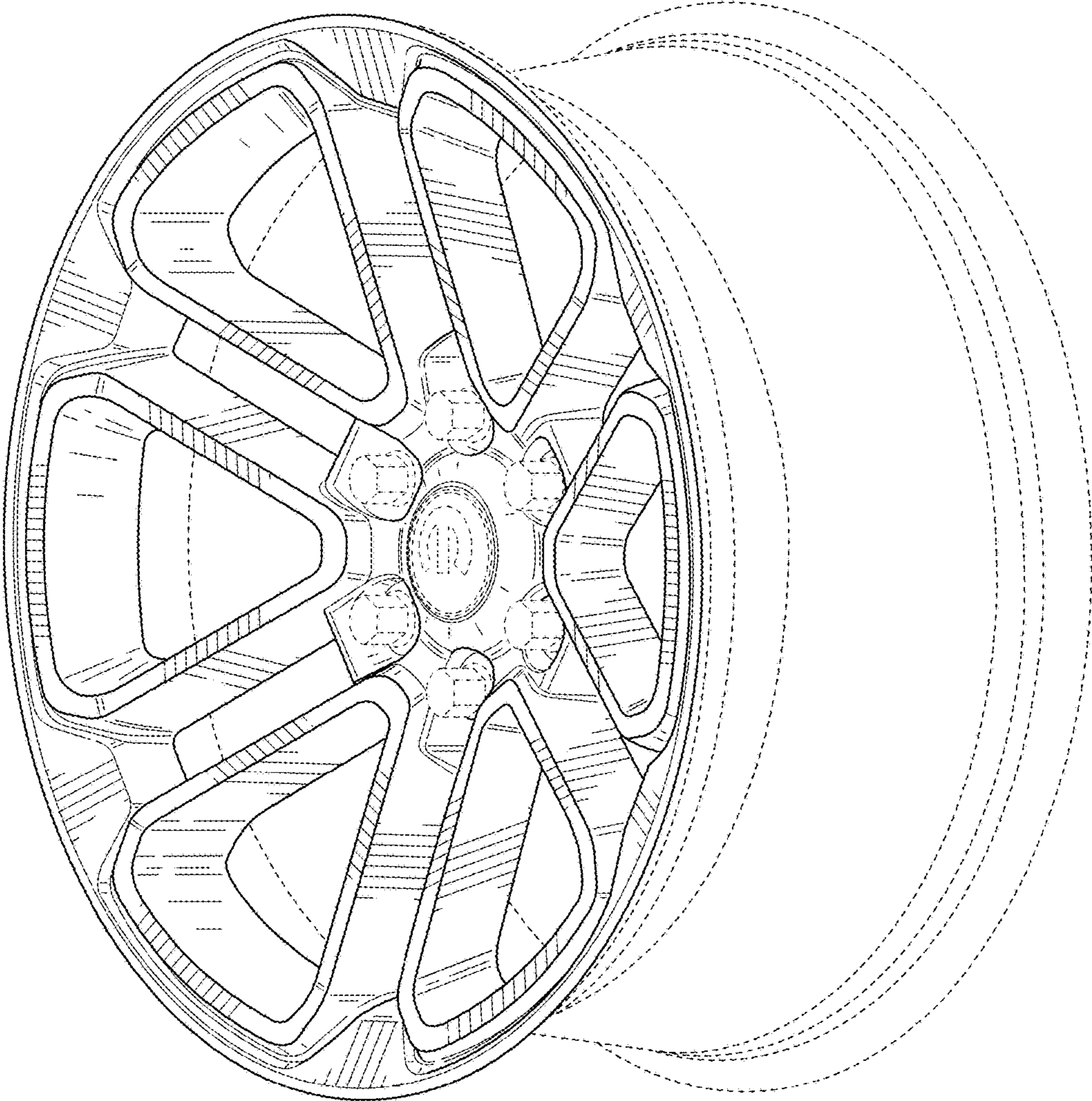


FIG. 3