



US00D823776S

(12) **United States Design Patent**
Glover

(10) **Patent No.:** **US D823,776 S**

(45) **Date of Patent:** **** Jul. 24, 2018**

(54) **AUTOMOBILE WHEEL**

(71) Applicant: **Jeremy Glover**, Clawson, MI (US)

(72) Inventor: **Jeremy Glover**, Clawson, MI (US)

(73) Assignee: **FCA US LLC**, Auburn Hills, MI (US)

(**) Term: **15 Years**

(21) Appl. No.: **29/597,859**

(22) Filed: **Mar. 21, 2017**

(51) **LOC (11) Cl.** **12-16**

(52) **U.S. Cl.**
USPC **D12/211**

(58) **Field of Classification Search**

USPC D12/400, 204–213, 217, 501; D9/452,
D9/538, 541, 546, 559, 669; D7/506,
D7/539, 540, 556, 563, 567, 615, 675,
D7/677; D21/763, 771, 779, 495, 561,
D21/563

CPC B60B 7/00; B60B 7/02; B60B 7/04; B60B
7/01; B60B 7/06; B60B 3/02; B60B 3/04;
B60B 3/06; B60B 3/10; B60B 1/00;
B60B 1/08; B60B 1/10; B60B 1/12

See application file for complete search history.

(56) **References Cited**

U.S. PATENT DOCUMENTS

D219,441 S *	12/1970	Mitchell	D12/211
D500,278 S *	12/2004	Huet	D12/211
D504,099 S *	4/2005	Boyer	D12/211
D504,383 S *	4/2005	Pfeiffer	D12/211
D504,647 S *	5/2005	Leclercq	D12/209
D515,494 S *	2/2006	Laengerer	D12/211
D520,933 S *	5/2006	Pfeiffer	D12/211
D526,263 S *	8/2006	Brown	D12/209
D528,495 S *	9/2006	Truebsbach	D12/211
D539,722 S *	4/2007	Pfeiffer	D12/211

D580,335 S *	11/2008	Choi	D12/211
D613,229 S *	4/2010	Antoniadis	D12/211
D614,109 S *	4/2010	Tant	D12/211
D614,113 S *	4/2010	Tant	D12/211
D618,149 S *	6/2010	Antoniadis	D12/209
D620,421 S *	7/2010	Lamm	D12/209
D621,766 S *	8/2010	Antoniadis	12/16
D658,562 S *	5/2012	Junghanns	D12/211
D668,195 S *	10/2012	Tant	D12/209
D678,155 S *	3/2013	Gotschke	D12/209
D689,000 S *	9/2013	Platto	D12/209
D696,617 S *	12/2013	Mueller-Stolz	D12/211
D697,002 S *	1/2014	Tanevski	D12/209
D701,156 S *	3/2014	McFarlin	D12/210
D706,697 S *	6/2014	Chung	D12/209
D711,304 S *	8/2014	Chung	D12/209
D712,333 S *	9/2014	Chung	D12/211
D715,211 S *	10/2014	Gotschke	D12/204
D739,327 S *	9/2015	Wagener	D12/209
D751,018 S *	3/2016	Platto	D12/209
D751,487 S *	3/2016	Harriton	D12/211
D753,048 S *	4/2016	Chan	D12/211
D765,002 S *	8/2016	Hoste	D12/209
D769,785 S *	10/2016	Wells	D12/211

(Continued)

Primary Examiner — Susan Bennet Hattan

Assistant Examiner — Marie D. Fast Horse

(74) *Attorney, Agent, or Firm* — Ralph E. Smith

(57) **CLAIM**

The ornamental design for an automobile wheel, as shown and described.

DESCRIPTION

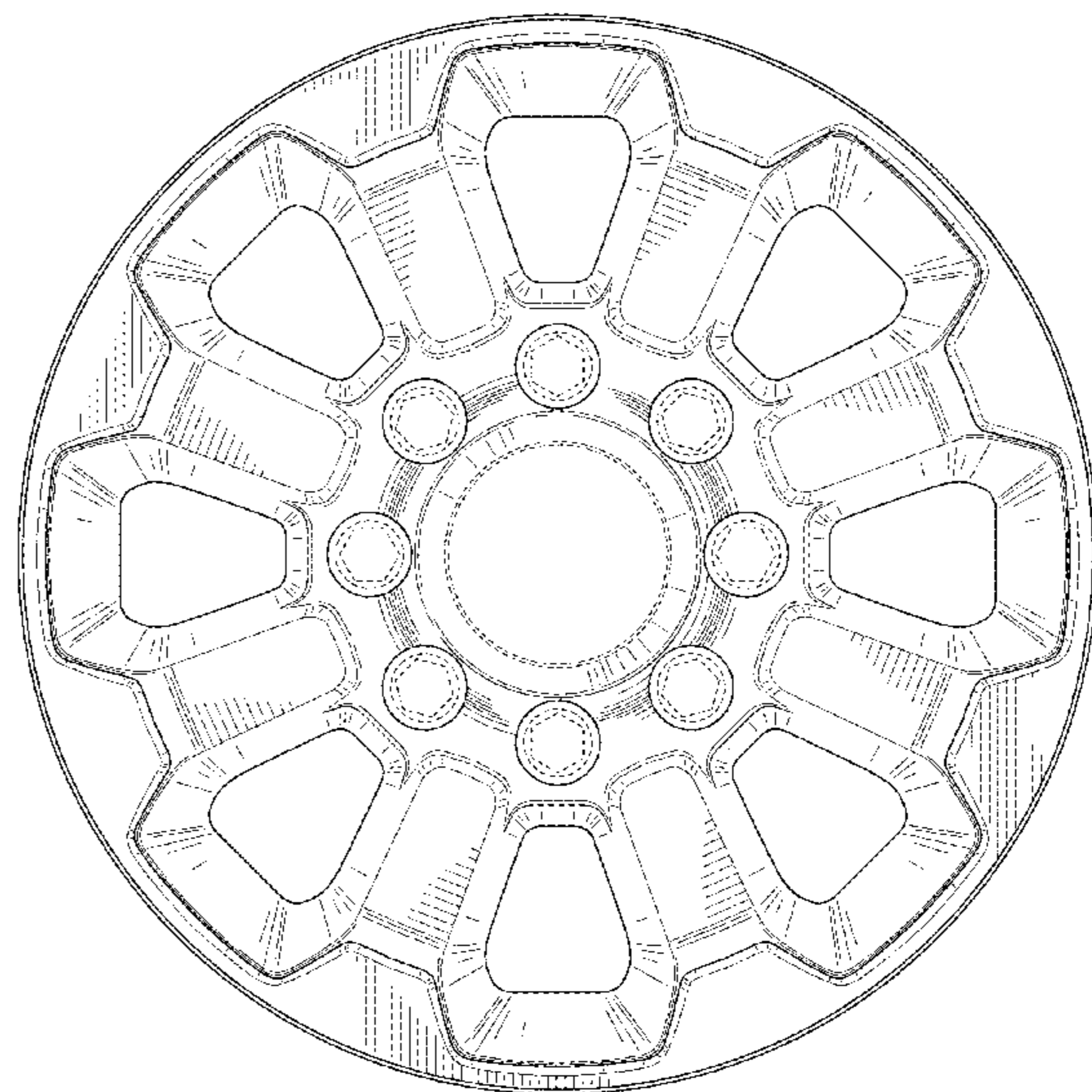
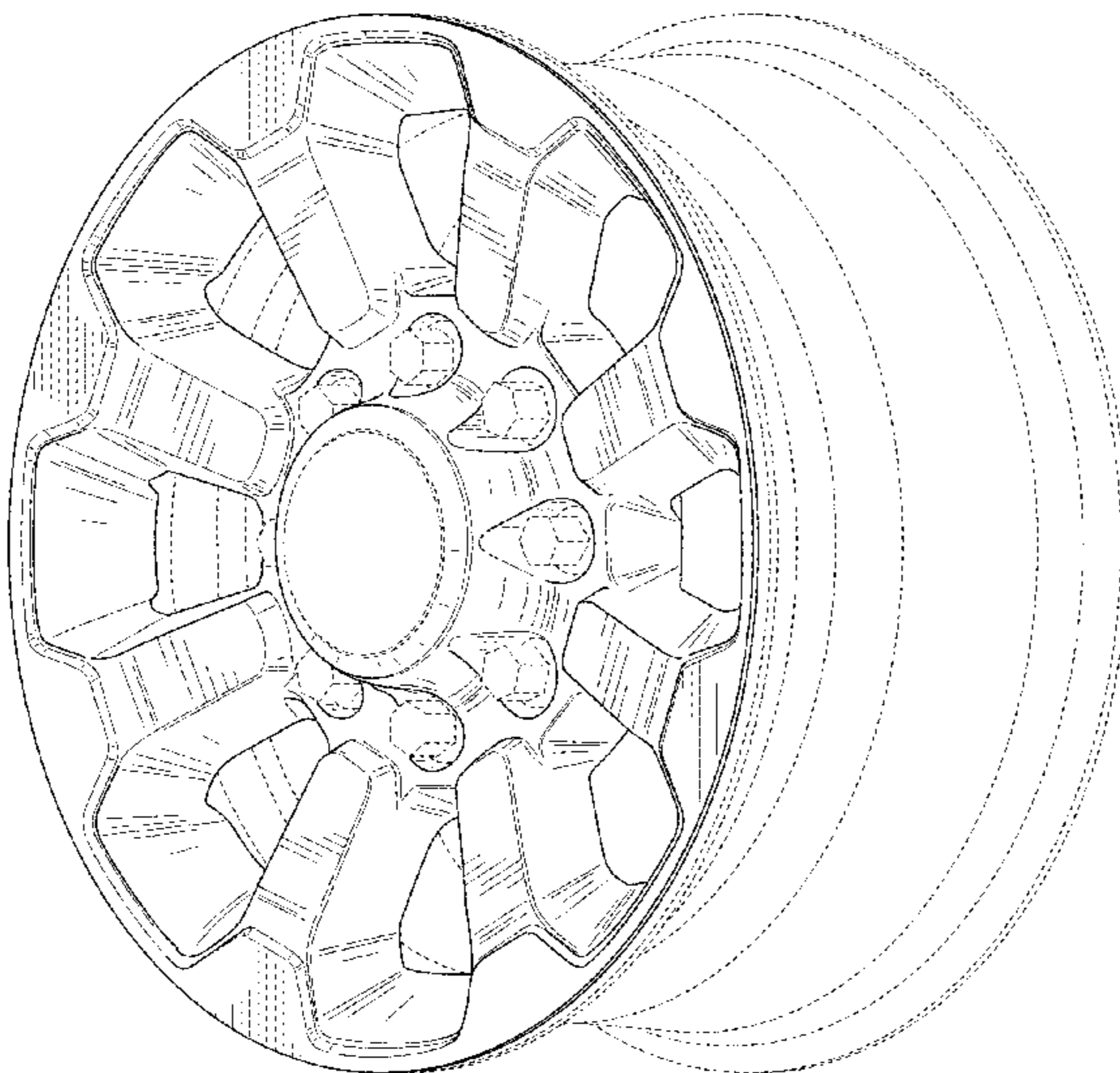
FIG. 1 is a left side perspective view of an automobile wheel showing our new design;

FIG. 2 is a front view thereof; and,

FIG. 3 is a right side perspective view.

The broken lines shown in the drawings depict portions of the automobile wheel that form no part of claimed design.

1 Claim, 3 Drawing Sheets



(56)

References Cited

U.S. PATENT DOCUMENTS

D780,084	S *	2/2017	Scheer	D12/209
D781,197	S *	3/2017	Ninov	D12/209
D781,766	S *	3/2017	Galante	D12/209
D783,496	S *	4/2017	Glover	D12/209
D783,499	S *	4/2017	Platto	D12/211
D783,500	S *	4/2017	Hubers	D12/211
D784,237	S *	4/2017	Platto	D12/211
D784,889	S *	4/2017	Peat	D12/209
D787,406	S *	5/2017	Piscitelli	D12/209
D788,006	S *	5/2017	Platto	D12/211
D791,037	S *	7/2017	Macey	D12/209
D791,038	S *	7/2017	Piscitelli	D12/209
D792,313	S *	7/2017	Langhals	D12/211
D800,044	S *	10/2017	Ghobrial	D12/209
D800,630	S *	10/2017	Tran	D12/209
D803,133	S *	11/2017	Bucher	D12/209
D805,454	S *	12/2017	Kong	D12/209
D805,455	S *	12/2017	Kong	D12/209
D808,324	S *	1/2018	Ninov	D12/211
D814,380	S *	4/2018	O'Neill	D12/209
2011/0006589	A1 *	1/2011	McCorry	B60B 7/08 301/37.43
2012/0007415	A1 *	1/2012	McCorry	B60B 7/0013 301/37.106

* cited by examiner

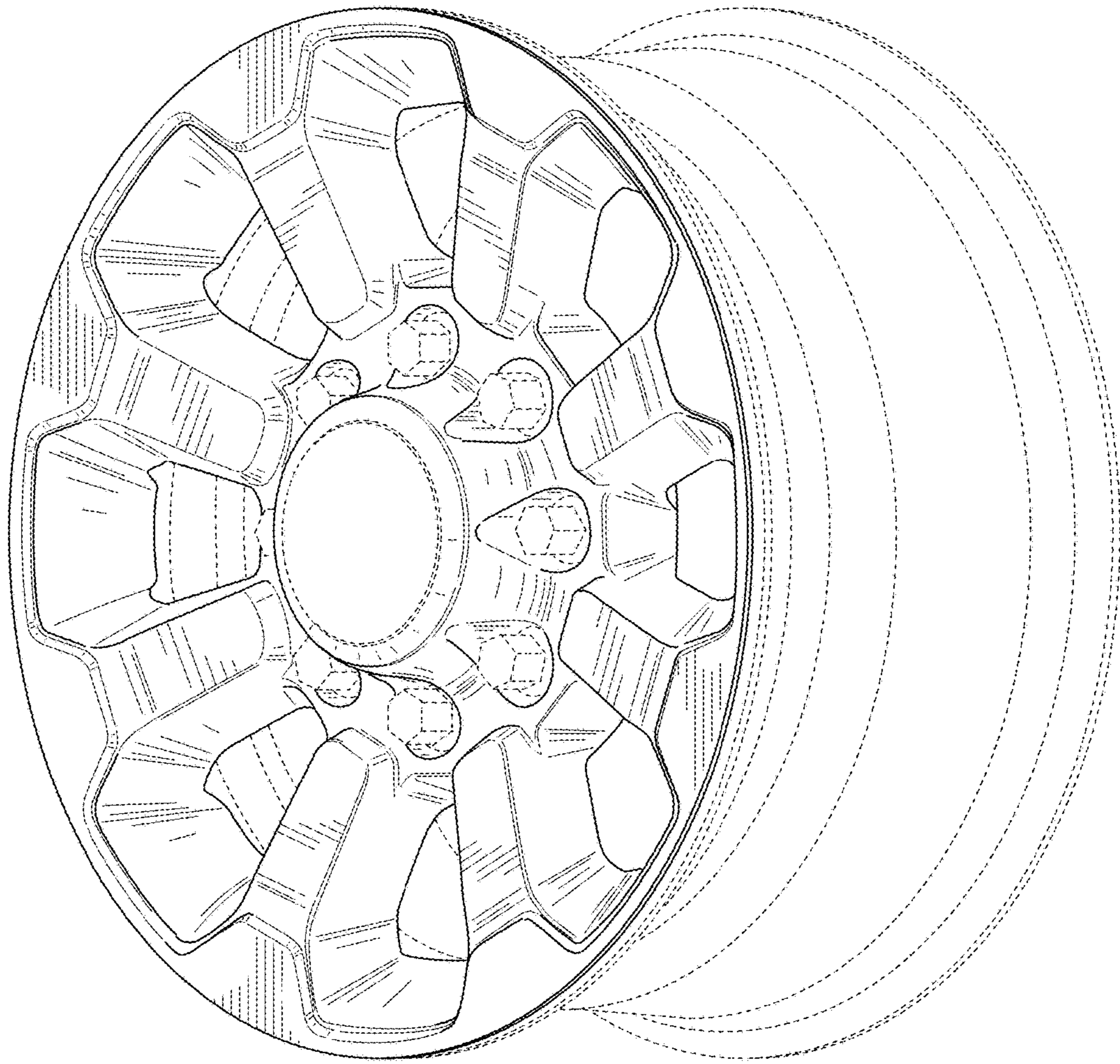


FIG. 1

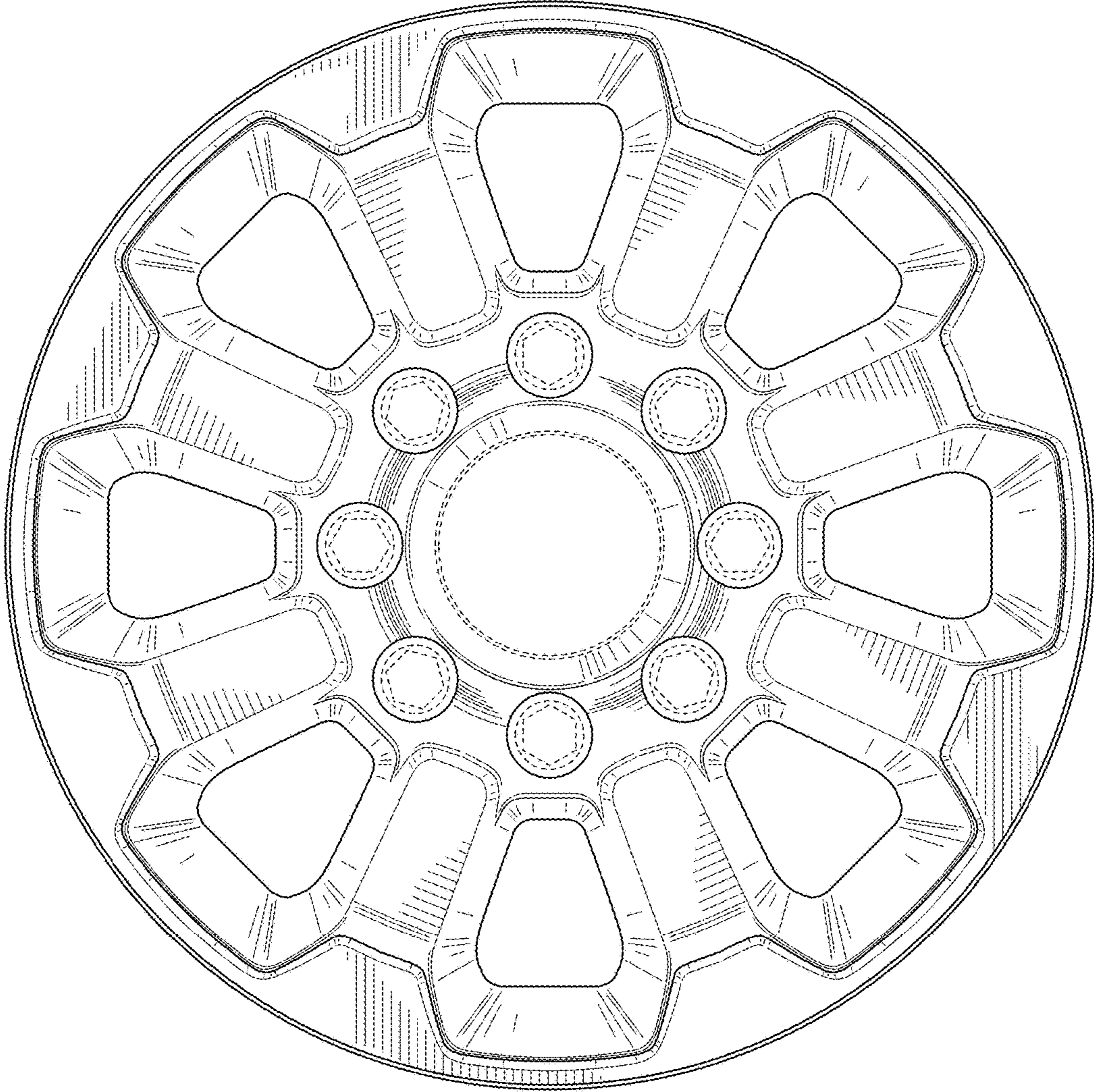


FIG. 2

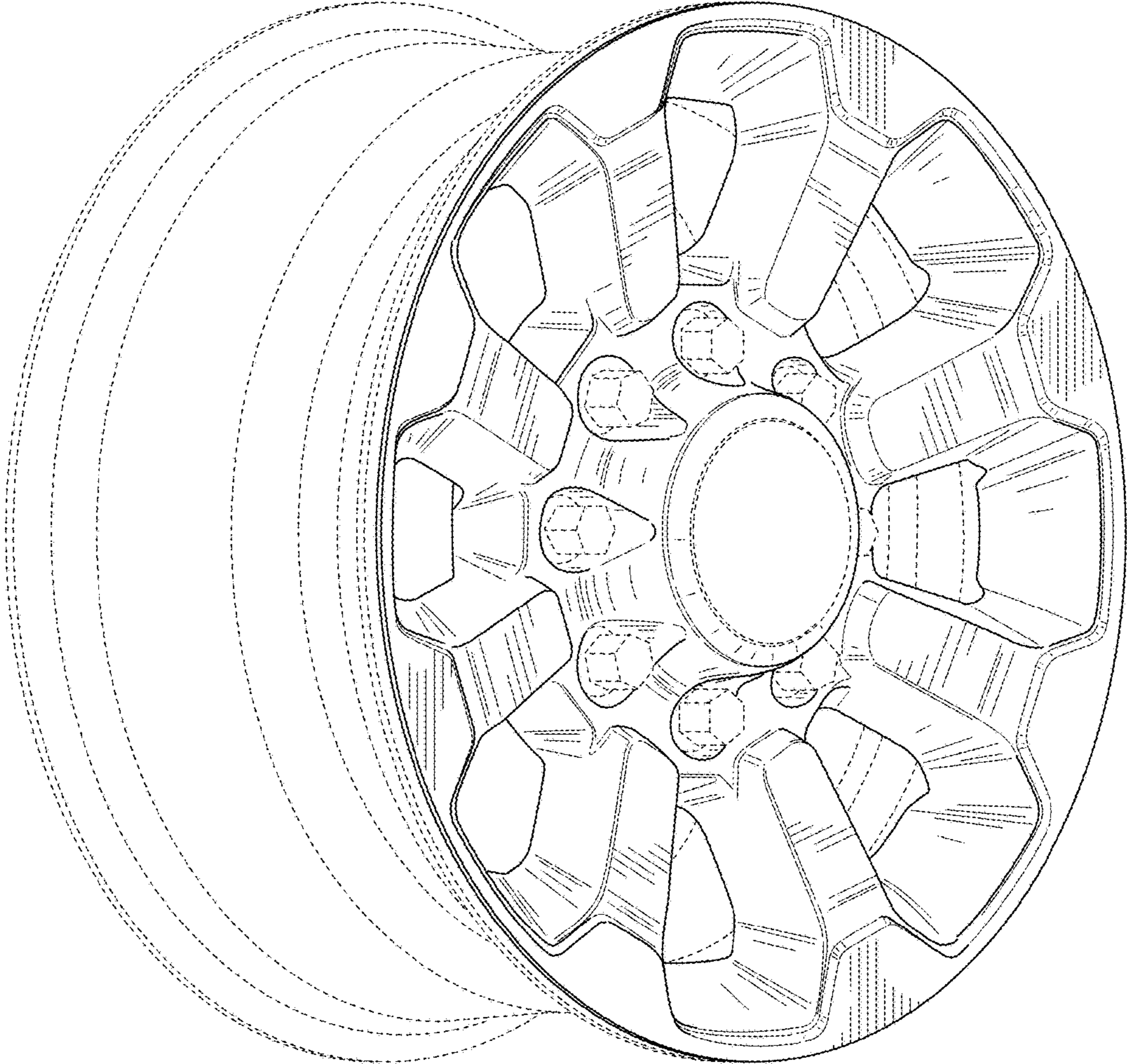


FIG. 3