



US00D823775S

(12) **United States Design Patent**
Sempek

(10) **Patent No.:** **US D823,775 S**

(45) **Date of Patent:** **** Jul. 24, 2018**

(54) **WHEEL RIM**

(71) Applicant: **Allied Wheel Components**, Garden Grove, CA (US)

(72) Inventor: **Christopher Sean Sempek**, Long Beach, CA (US)

(73) Assignee: **ALLIED WHEEL COMPONENTS**, Garden Grove, CA (US)

(**) Term: **15 Years**

(21) Appl. No.: **29/573,307**

(22) Filed: **Aug. 4, 2016**

(51) **LOC (11) Cl.** **12-16**

(52) **U.S. Cl.**

USPC **D12/211**

(58) **Field of Classification Search**

USPC D12/204–213

CPC B60B 7/00; B60B 7/02; B60B 7/04; B60B 7/01; B60B 7/06; B60B 3/02; B60B 3/04; B60B 3/06; B60B 3/10; B60B 1/00; B60B 1/08; B60B 1/10; B60B 1/12

See application file for complete search history.

(56) **References Cited**

U.S. PATENT DOCUMENTS

| | | | | | |
|------------|---|---------|-------------|-------|---------|
| D456,332 S | * | 4/2002 | Vian | | D12/211 |
| D514,052 S | * | 1/2006 | Walbey, Jr. | | D12/211 |
| D543,922 S | * | 6/2007 | Young | | D12/209 |
| D548,167 S | * | 8/2007 | Groom | | D12/211 |
| D573,082 S | * | 7/2008 | Young | | D12/211 |
| D582,830 S | * | 12/2008 | Musser | | D12/211 |

| | | | | | |
|------------|---|---------|-----------|-------|---------|
| D625,241 S | * | 10/2010 | Zhao | | D12/211 |
| D629,347 S | * | 12/2010 | Kim | | D12/211 |
| D639,222 S | | 6/2011 | Johnson | | |
| D660,220 S | * | 5/2012 | Chan | | D12/211 |
| D669,009 S | * | 10/2012 | Chung | | D12/211 |
| D681,534 S | * | 5/2013 | Zhao | | D12/211 |
| D686,963 S | * | 7/2013 | Hale, Jr. | | D12/211 |
| D691,542 S | * | 10/2013 | Chan | | D12/209 |
| D719,496 S | * | 12/2014 | Johnson | | D12/209 |
| D722,937 S | * | 2/2015 | Johnson | | D12/209 |
| D751,481 S | * | 3/2016 | Chung | | D12/209 |
| D776,040 S | * | 1/2017 | Zhao | | D12/211 |
| D782,385 S | * | 3/2017 | Zhao | | D12/211 |

OTHER PUBLICATIONS

Raceline Wheels catalog, vol. 22, Dec. 2, 2015.
Raceline Wheels catalog, vol. 26, Mar. 23, 2016.

* cited by examiner

Primary Examiner — George D. Kirschbaum

(74) *Attorney, Agent, or Firm* — Fish IP Law, LLP

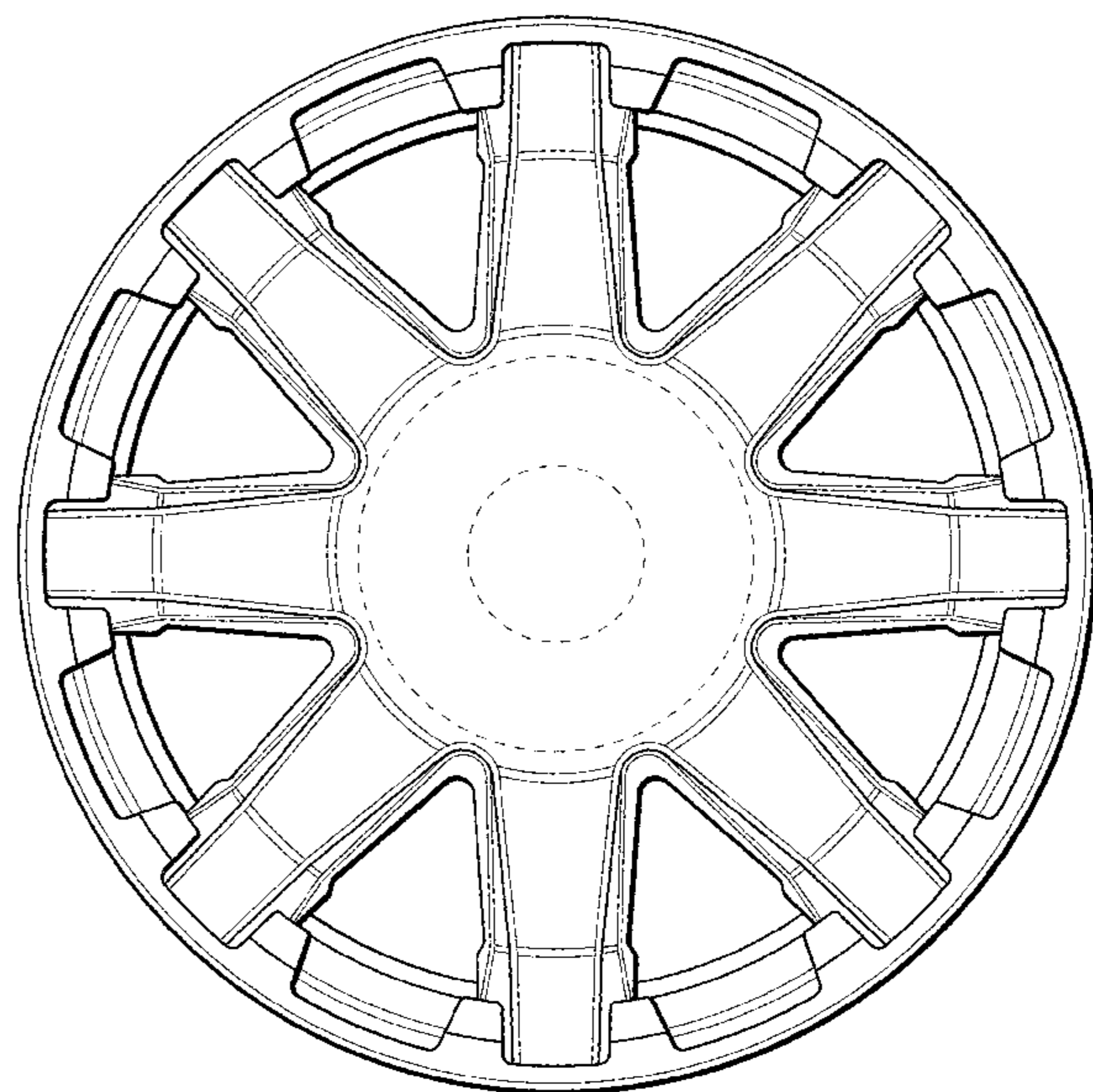
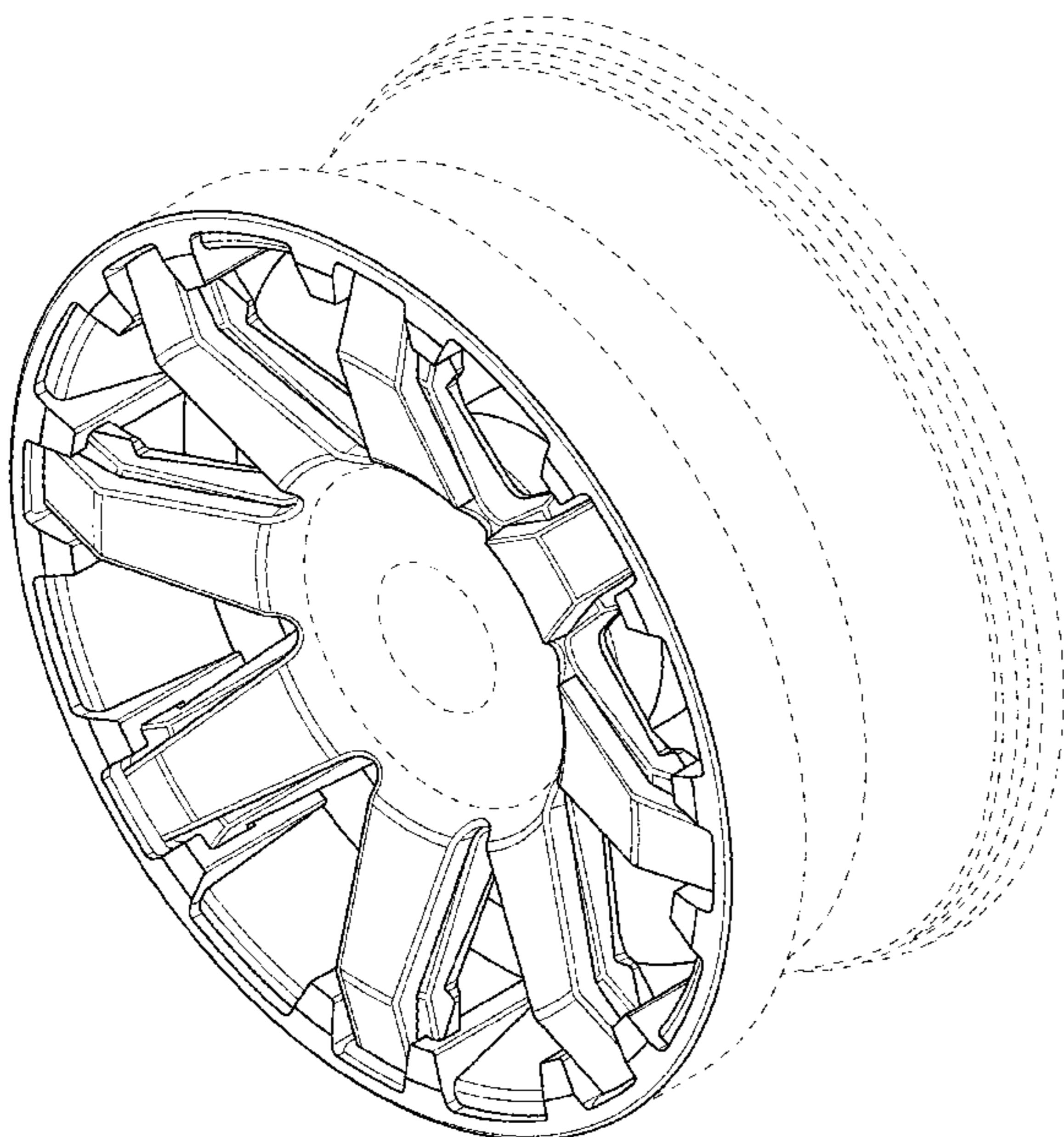
(57) **CLAIM**

The ornamental design for a wheel rim, as shown and described.

DESCRIPTION

FIG. 1 is a top, front, right side perspective view of a wheel rim of the new design; and, FIG. 2 is a front elevation view thereof. The broken line showing of the rear portion of the wheel rim in FIG. 1 is included for the purpose of illustrating environment and forms no part of the claimed design.

1 Claim, 2 Drawing Sheets



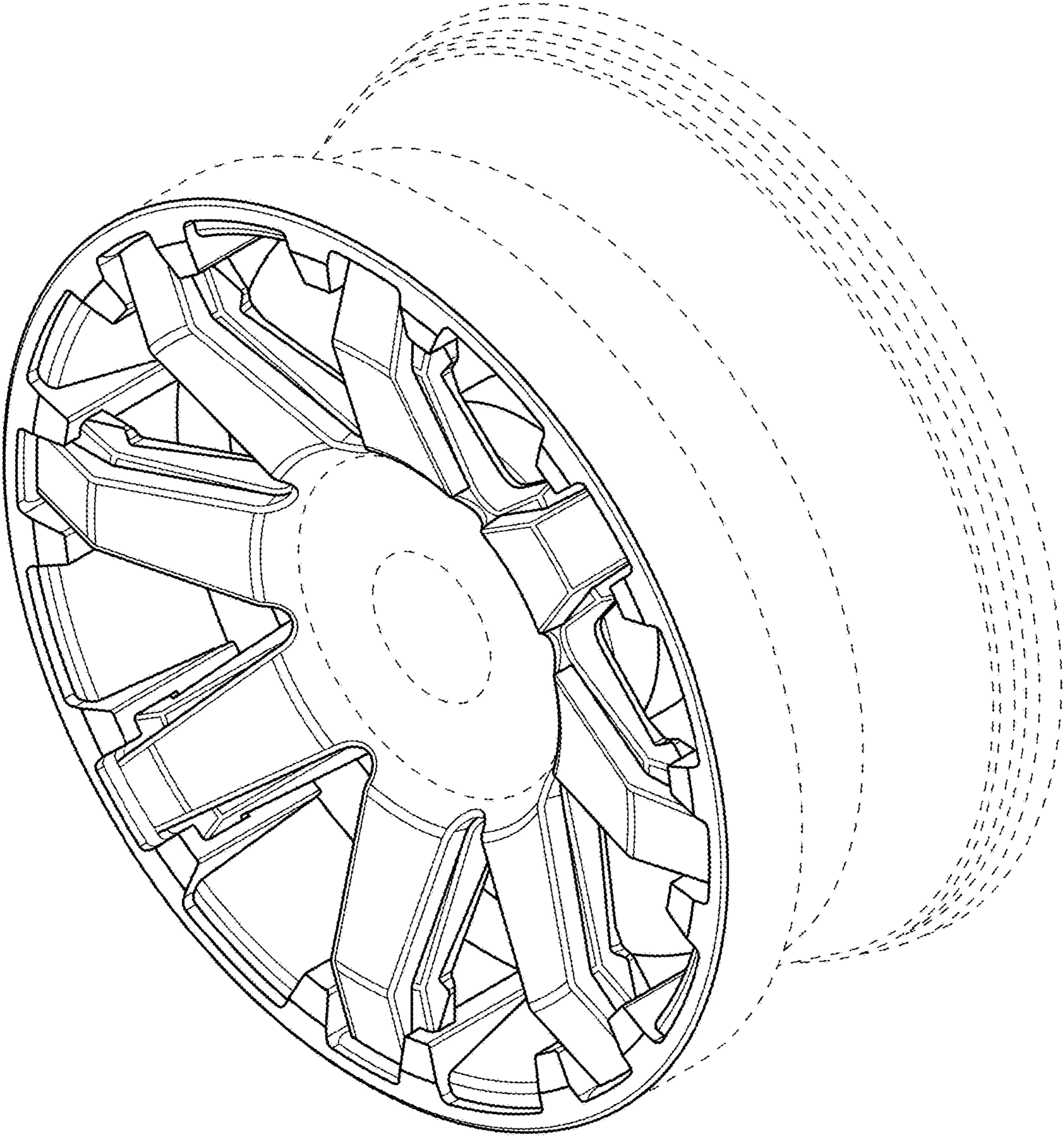


FIG. 1

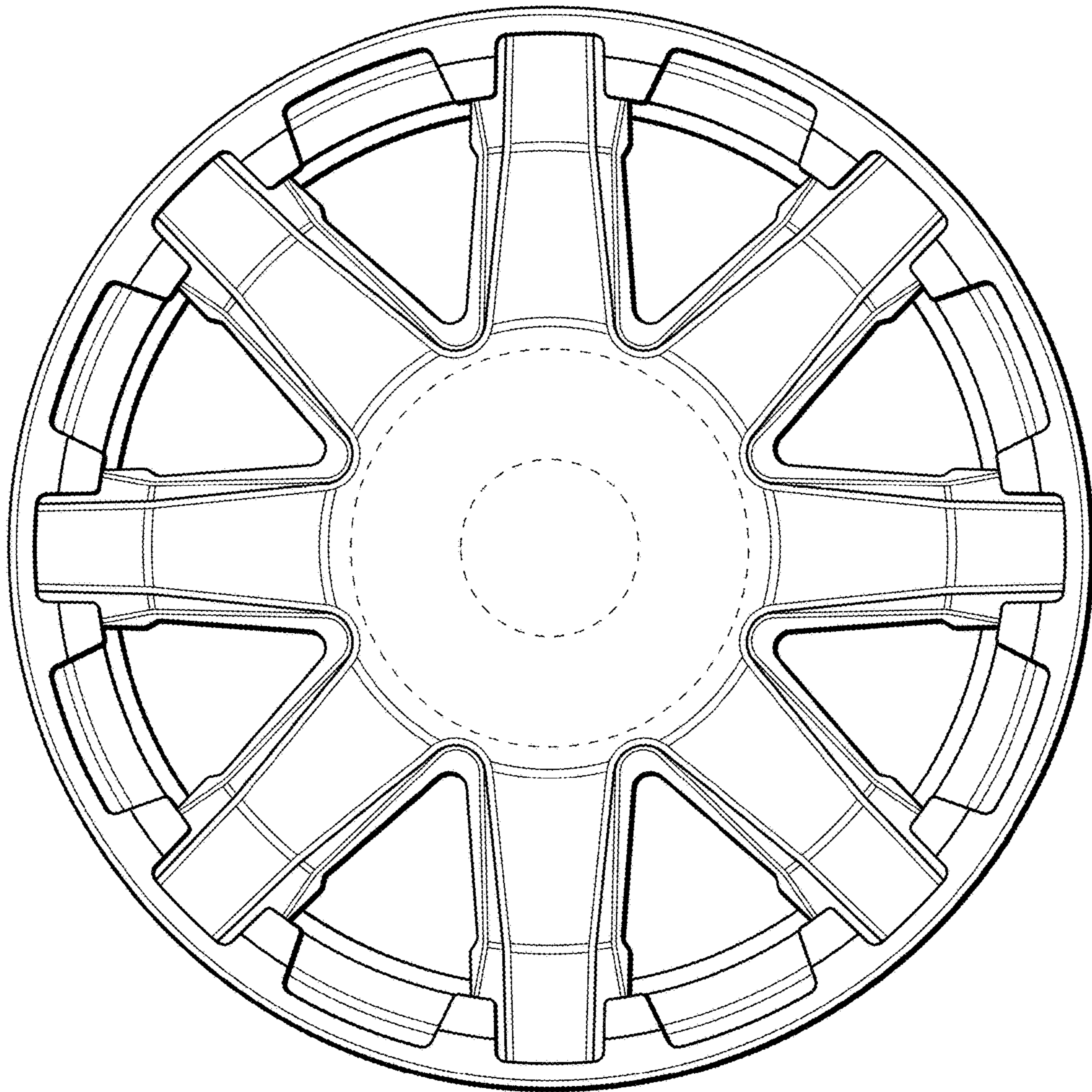


FIG. 2