



US00D823773S

(12) **United States Design Patent**
Valencia Pollex

(10) **Patent No.:** **US D823,773 S**
(45) **Date of Patent:** **** Jul. 24, 2018**

- (54) **VEHICLE WHEEL RIM**
- (71) Applicant: **AUDI AG**, Ingolstadt (DE)
- (72) Inventor: **Andreas Valencia Pollex**, Ingolstadt (DE)
- (73) Assignee: **AUDI AG**, Ingolstadt (DE)
- (**) Term: **15 Years**
- (21) Appl. No.: **29/593,426**
- (22) Filed: **Feb. 8, 2017**

(30) **Foreign Application Priority Data**

Aug. 9, 2016 (EM) 003 336 163-0007

(51) **LOC (11) Cl.** **12-16**

(52) **U.S. Cl.**
USPC **D12/209**

(58) **Field of Classification Search**
USPC D12/204-213
CPC B60B 7/00; B60B 7/02; B60B 7/04; B60B 7/06; B60B 3/02; B60B 3/04; B60B 3/06; B60B 3/10
See application file for complete search history.

(56) **References Cited**

U.S. PATENT DOCUMENTS

- D508,671 S * 8/2005 Baum D12/209
- D597,917 S * 8/2009 Chung D12/209

- D672,701 S * 12/2012 Bildhaeuser D12/211
- D712,329 S * 9/2014 Borkert D12/209
- D716,712 S * 11/2014 Lemke D12/211
- D720,271 S * 12/2014 Mielke D12/209
- D730,797 S * 6/2015 Caswell D12/209
- D735,103 S * 7/2015 Lemke D12/209
- D744,397 S * 12/2015 Pollmann D12/209

* cited by examiner

Primary Examiner — Sheryl Lane

Assistant Examiner — Calvin E Vansant

(74) *Attorney, Agent, or Firm* — Lucas & Mercanti, LLP; Klaus P. Stoffel

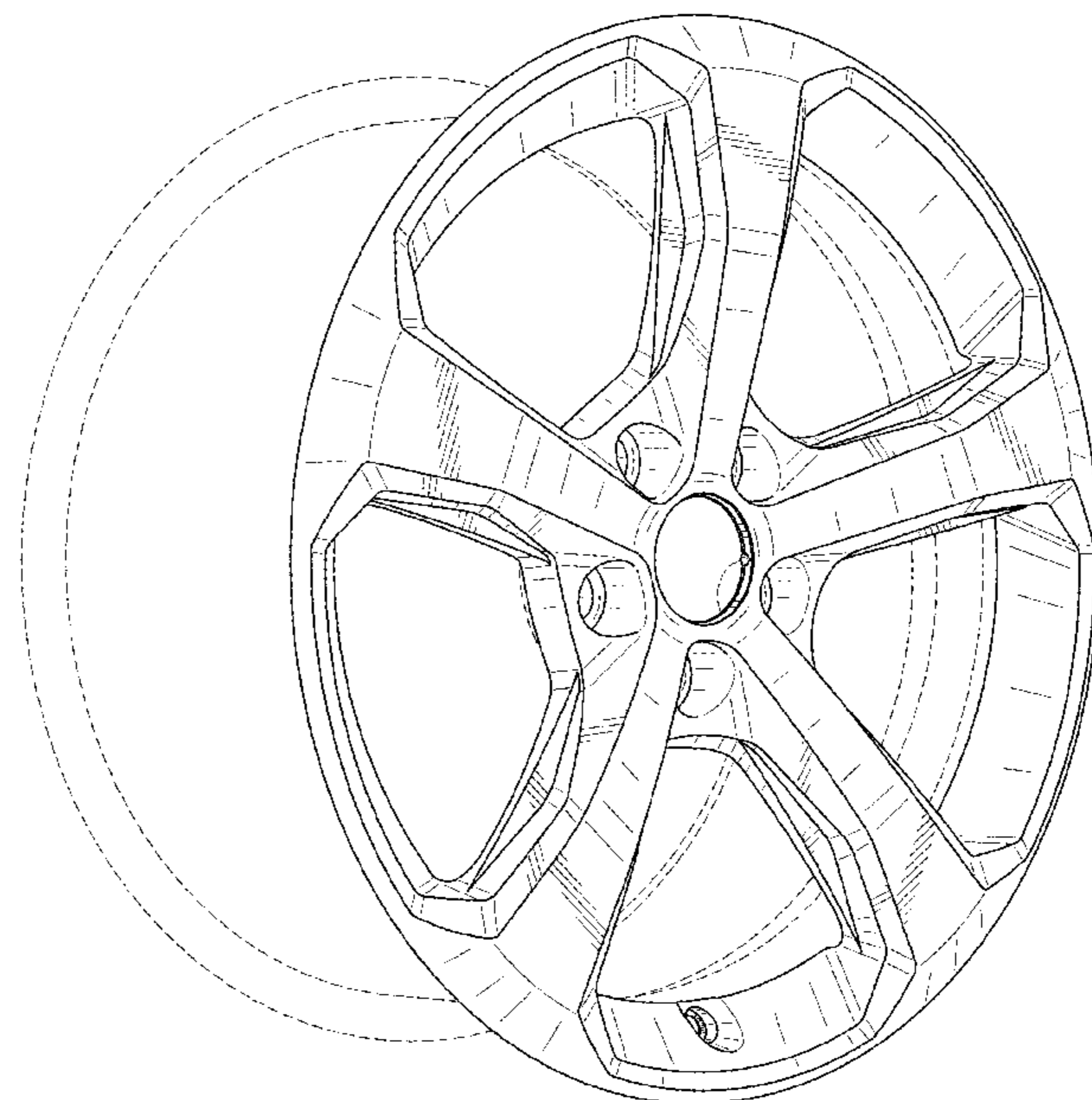
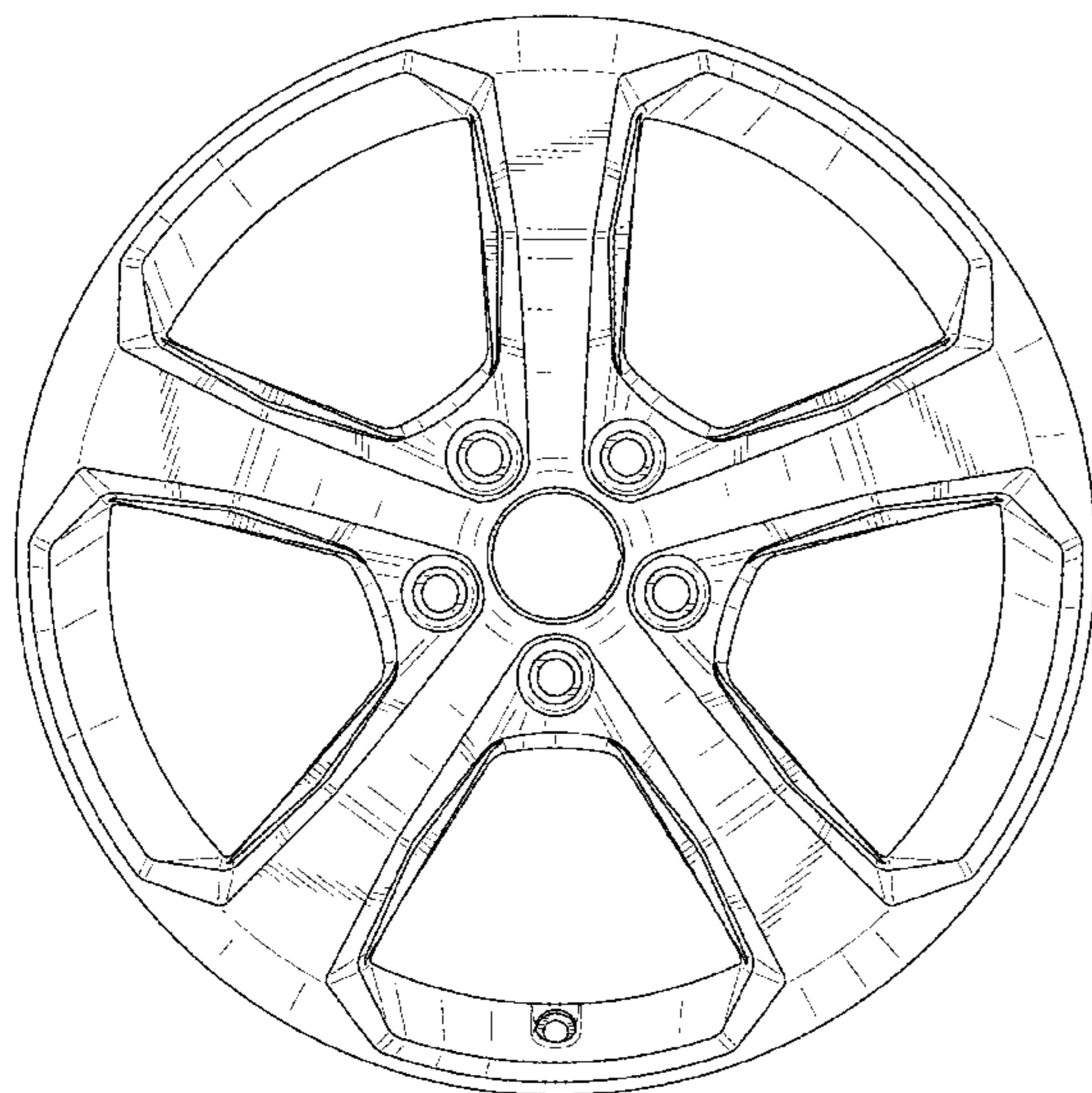
(57) **CLAIM**

The ornamental design for a vehicle wheel rim, as shown and described.

DESCRIPTION

FIG. 1 is a front view of the vehicle wheel rim of the present invention; and,
FIG. 2 is a front, side perspective view thereof.
The broken lines depict portions of the vehicle wheel rim that form no part of the claim.

1 Claim, 2 Drawing Sheets



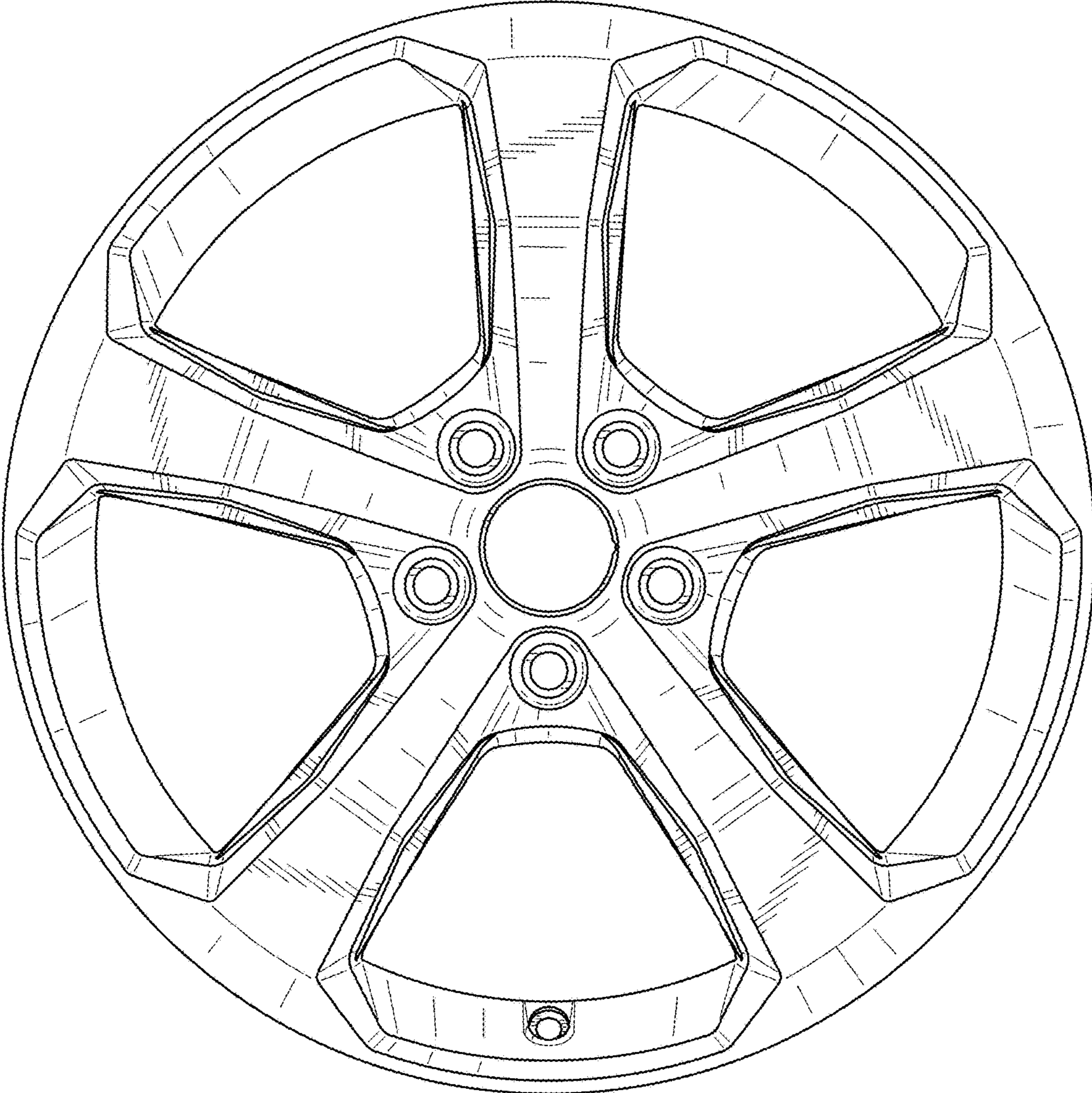


FIG. 1

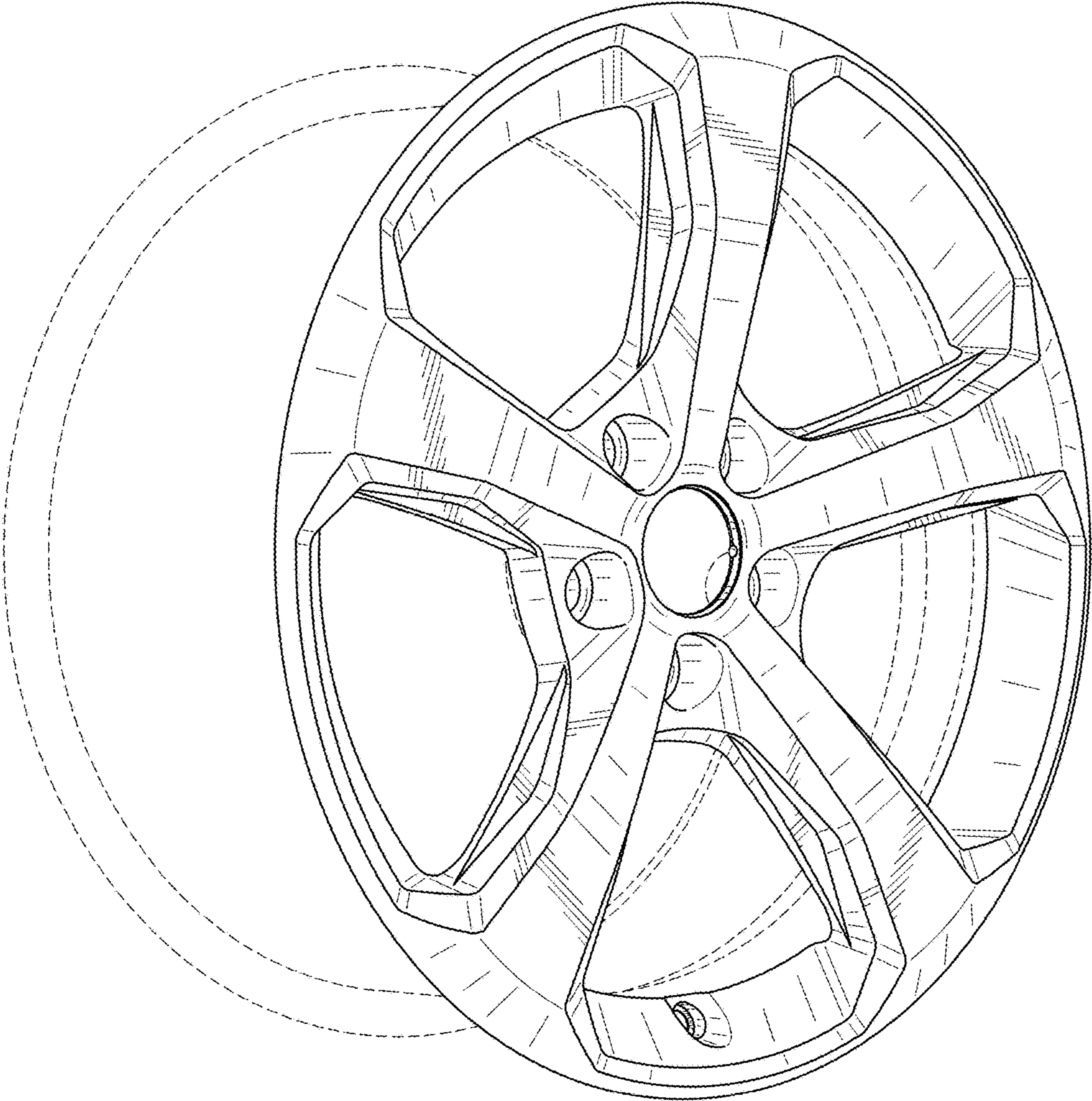


FIG. 2