



US00D823770S

(12) **United States Design Patent** (10) **Patent No.:** **US D823,770 S**
Koenigs (45) **Date of Patent:** **** Jul. 24, 2018**

(54) **VEHICLE WHEEL**
(71) Applicant: **Bayerische Motoren Werke
Aktiengesellschaft, Munich (DE)**
(72) Inventor: **Daniel Koenigs, Munich (DE)**
(73) Assignee: **Bayerische Motoren Werke
Aktiengesellschaft, Munich (DE)**

D682,763 S * 5/2013 Song D12/211
D683,294 S 5/2013 Pollmann
D715,210 S * 10/2014 Wolff D12/211
D723,996 S * 3/2015 Zhao D12/211
D735,106 S * 7/2015 Weil D12/209
D751,015 S * 3/2016 Mahoney D12/209
D777,639 S * 1/2017 Krause D12/209
D788,004 S * 5/2017 Mielke D12/209
D791,056 S * 7/2017 Valencia Pollex D12/211
D798,788 S * 10/2017 Valencia Pollex D12/211
D806,632 S * 1/2018 Peat D12/211

(**) Term: **15 Years**

FOREIGN PATENT DOCUMENTS

(21) Appl. No.: **29/590,499**

EM 000934468-0003 10/2009
EM 001693599-0003 6/2011
EM 001812504-0001 8/2012
EM 002120279-0002 9/2013

(22) Filed: **Jan. 11, 2017**

(30) **Foreign Application Priority Data**

* cited by examiner

Jul. 12, 2016 (DE) 40 2016 100 875

(51) **LOC (11) Cl.** **12-16**

(52) **U.S. Cl.**

USPC **D12/209**

(58) **Field of Classification Search**

USPC D12/204-213; D21/563

CPC B60B 7/00; B60B 7/02; B60B 7/04; B60B

7/06; B60B 3/02; B60B 3/04; B60B 3/06;

B60B 3/10; B60B 1/00; B60B 1/08;

B60B 1/10; B60B 1/12

See application file for complete search history.

(56) **References Cited**

U.S. PATENT DOCUMENTS

D585,354 S 1/2009 Powell et al.
D593,022 S * 5/2009 Forster D12/211
D628,136 S * 11/2010 Leclercq D12/211
D629,346 S 12/2010 Szews
D639,224 S * 6/2011 Szews D12/211
D658,560 S 5/2012 Thurner
D666,953 S * 9/2012 Pollmann D12/209

Primary Examiner — Sheryl Lane

Assistant Examiner — Calvin E Vansant

(74) *Attorney, Agent, or Firm* — Crowell & Moring LLP

(57) **CLAIM**

The ornamental design for a vehicle wheel, as shown and described.

DESCRIPTION

FIG. 1 is a perspective view of a vehicle wheel according to the design;

FIG. 2 is an additional perspective view thereof;

FIG. 3 is an additional perspective view thereof;

FIG. 4 is a front view thereof;

FIG. 5 is a rear view thereof; and,

FIG. 6 is a side view thereof.

The low contrast or “ghost” areas shown in FIG. 5 of the drawings depict portions of the vehicle wheel that form no part of the claim.

1 Claim, 6 Drawing Sheets

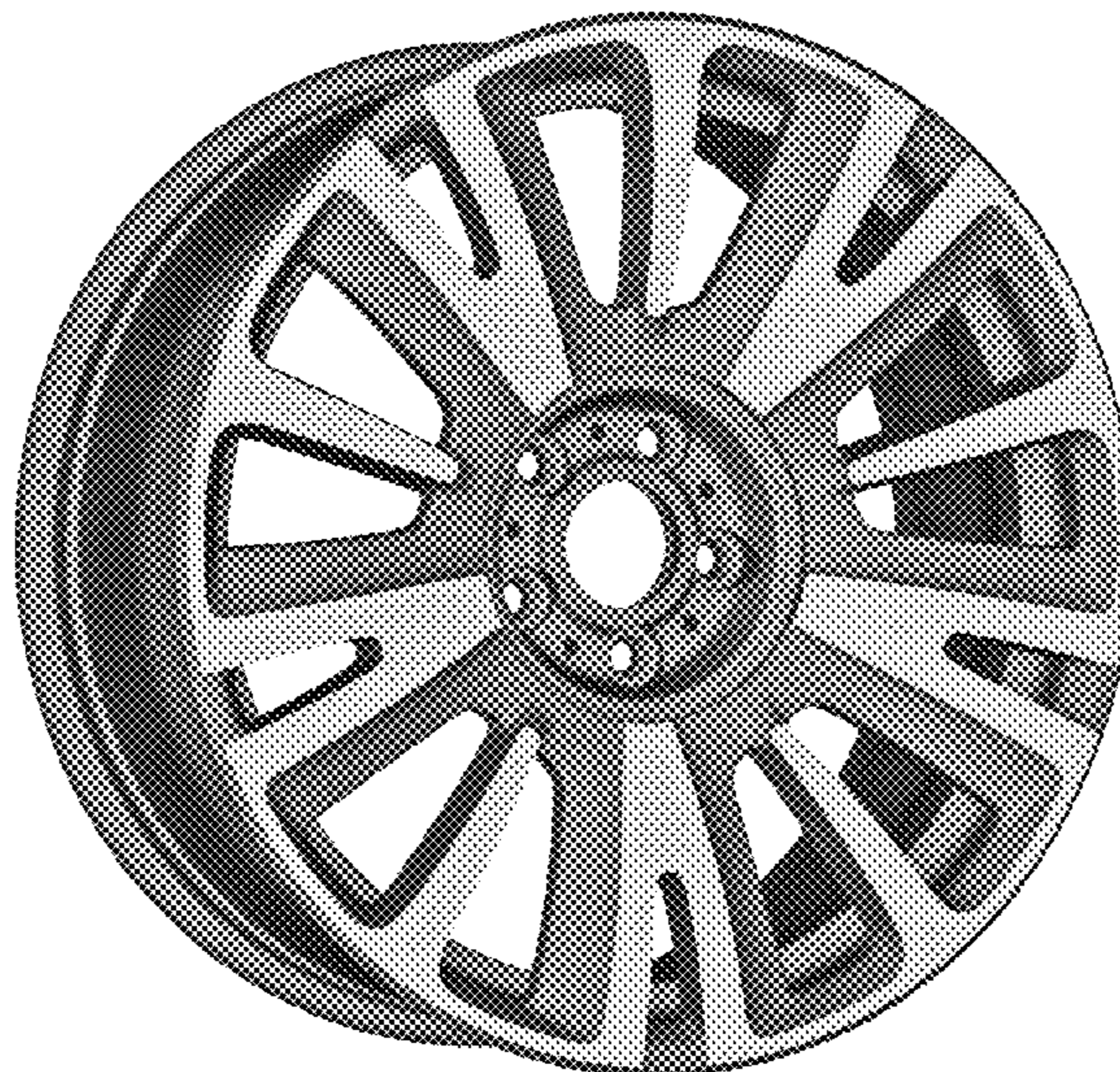




Fig. 1



Fig. 2



Fig. 3



Fig. 4

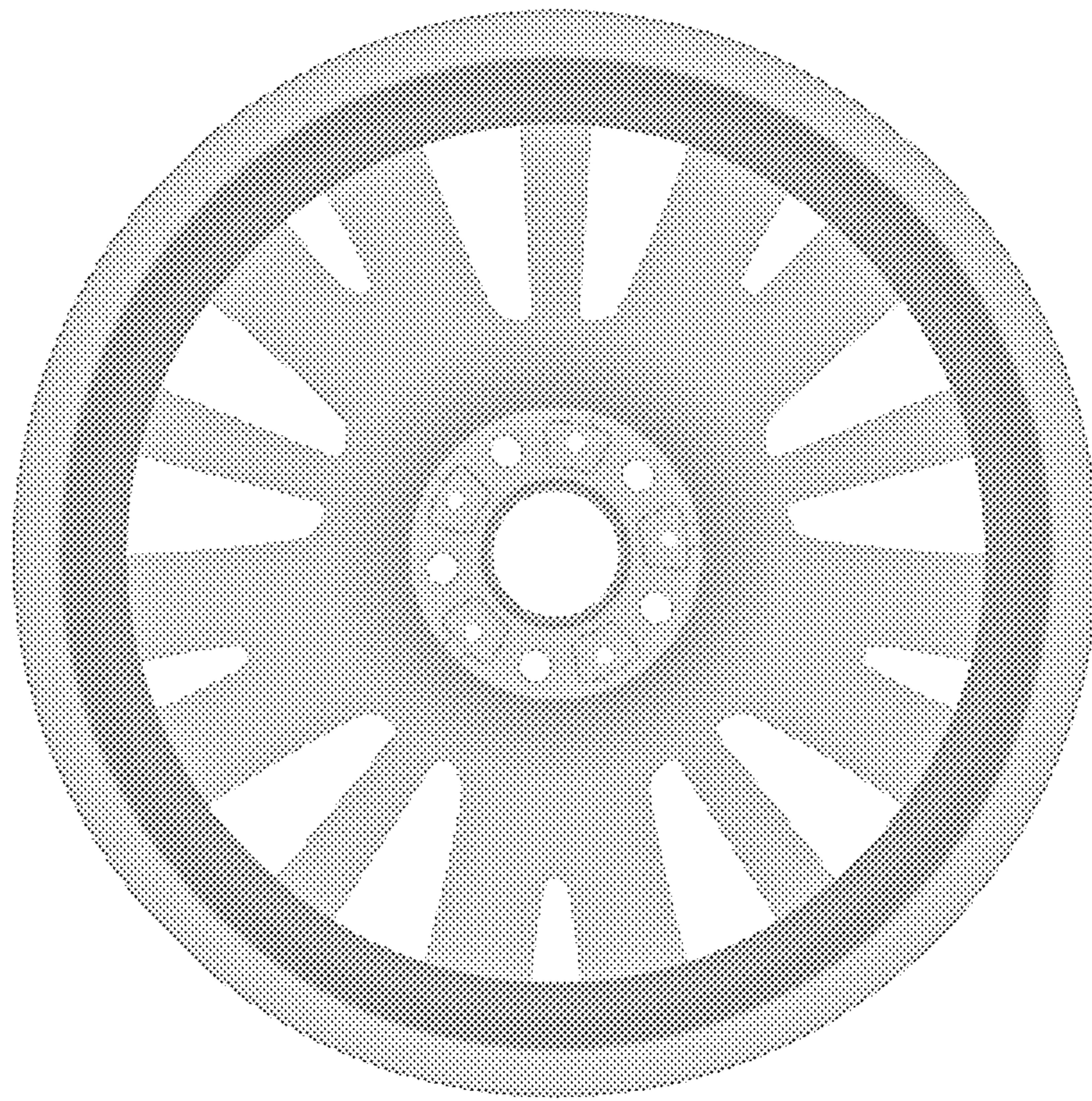


Fig. 5

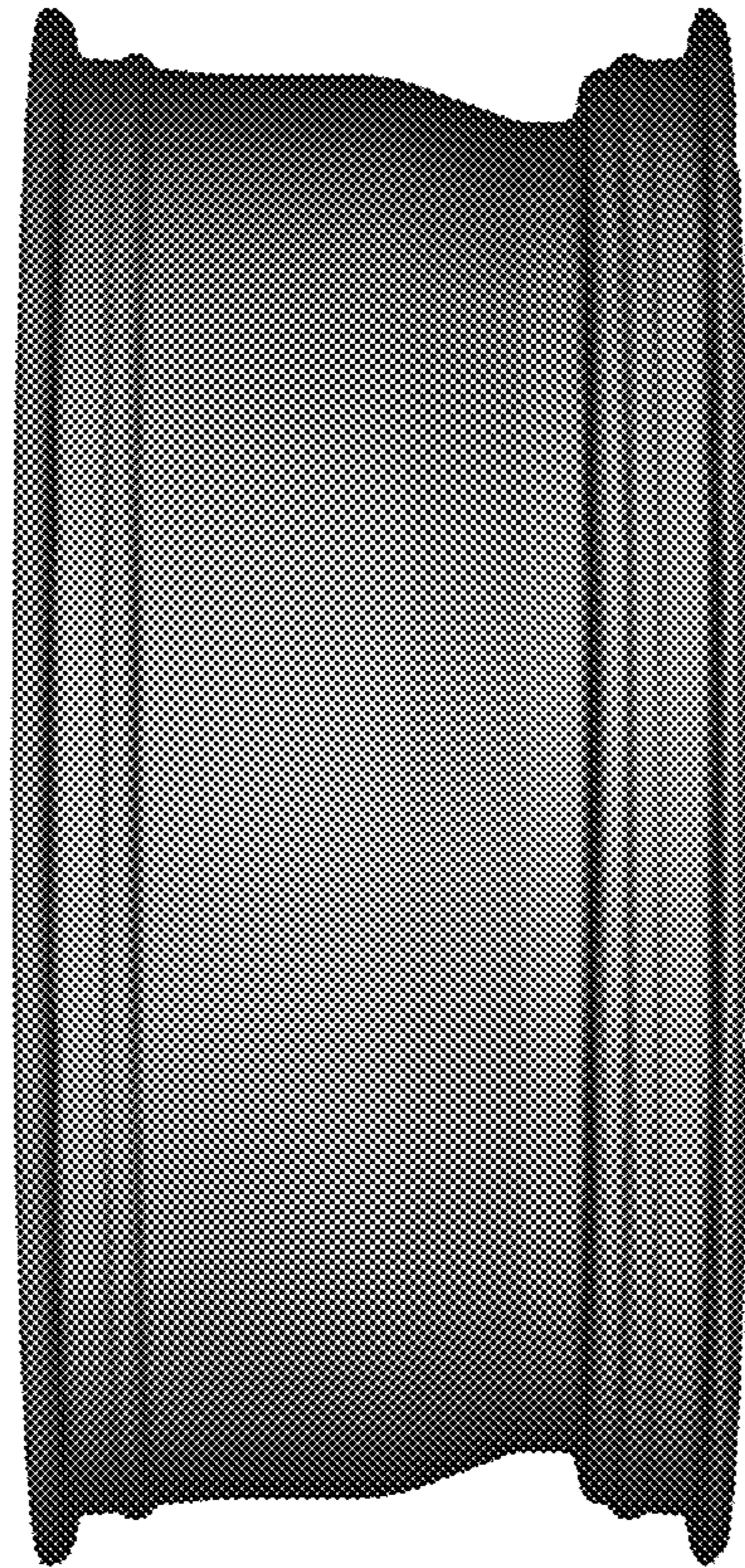


Fig. 6