



US00D823759S

(12) **United States Design Patent** (10) **Patent No.:** **US D823,759 S**  
**Spencer et al.** (45) **Date of Patent:** **\*\* Jul. 24, 2018**

(54) **LICENSE PLATE FRAME**  
(71) Applicant: **Cruiser Accessories, LLC**, Monument, CO (US)  
(72) Inventors: **Todd R. Spencer**, Colorado Springs, CO (US); **Deborah D. Isensee**, Bloomington, MN (US); **Mark Hunter Basenberg, Jr.**, Colorado Springs, CO (US)  
(73) Assignee: **Cruiser Accessories, LLC**, Monument, CO (US)

D684,513 S \* 6/2013 Spencer ..... D12/193  
D712,326 S \* 9/2014 Spencer ..... D12/193  
D715,203 S \* 10/2014 Spencer ..... D12/193  
D734,228 S \* 7/2015 Masanek, Jr. .... D12/193  
D775,035 S \* 12/2016 Alesi ..... D12/193

\* cited by examiner

*Primary Examiner* — George D. Kirschbaum  
*Assistant Examiner* — Natasha Vujcic  
(74) *Attorney, Agent, or Firm* — Linda Flewellen Gould

(\*\*) Term: **15 Years**

(21) Appl. No.: **29/614,612**

(22) Filed: **Aug. 21, 2017**

(51) **LOC (11) Cl.** ..... **12-16**

(52) **U.S. Cl.**  
USPC ..... **D12/193**

(58) **Field of Classification Search**  
USPC ..... D12/193; D6/300, 301, 302, 310, 311, D6/312, 313, 314; D20/13  
CPC ..... B60R 13/10; B60R 13/105; B60R 19/24; B60R 19/52  
See application file for complete search history.

(56) **References Cited**

U.S. PATENT DOCUMENTS

D377,776 S \* 2/1997 Kheyfets ..... D12/193  
D377,777 S \* 2/1997 Kheyfets ..... D12/193  
D384,627 S \* 10/1997 Clark ..... D12/193  
D441,334 S \* 5/2001 Hussaini ..... D12/193  
D616,347 S \* 5/2010 Arenz ..... D12/193  
D633,020 S \* 2/2011 Ziegler ..... D12/193

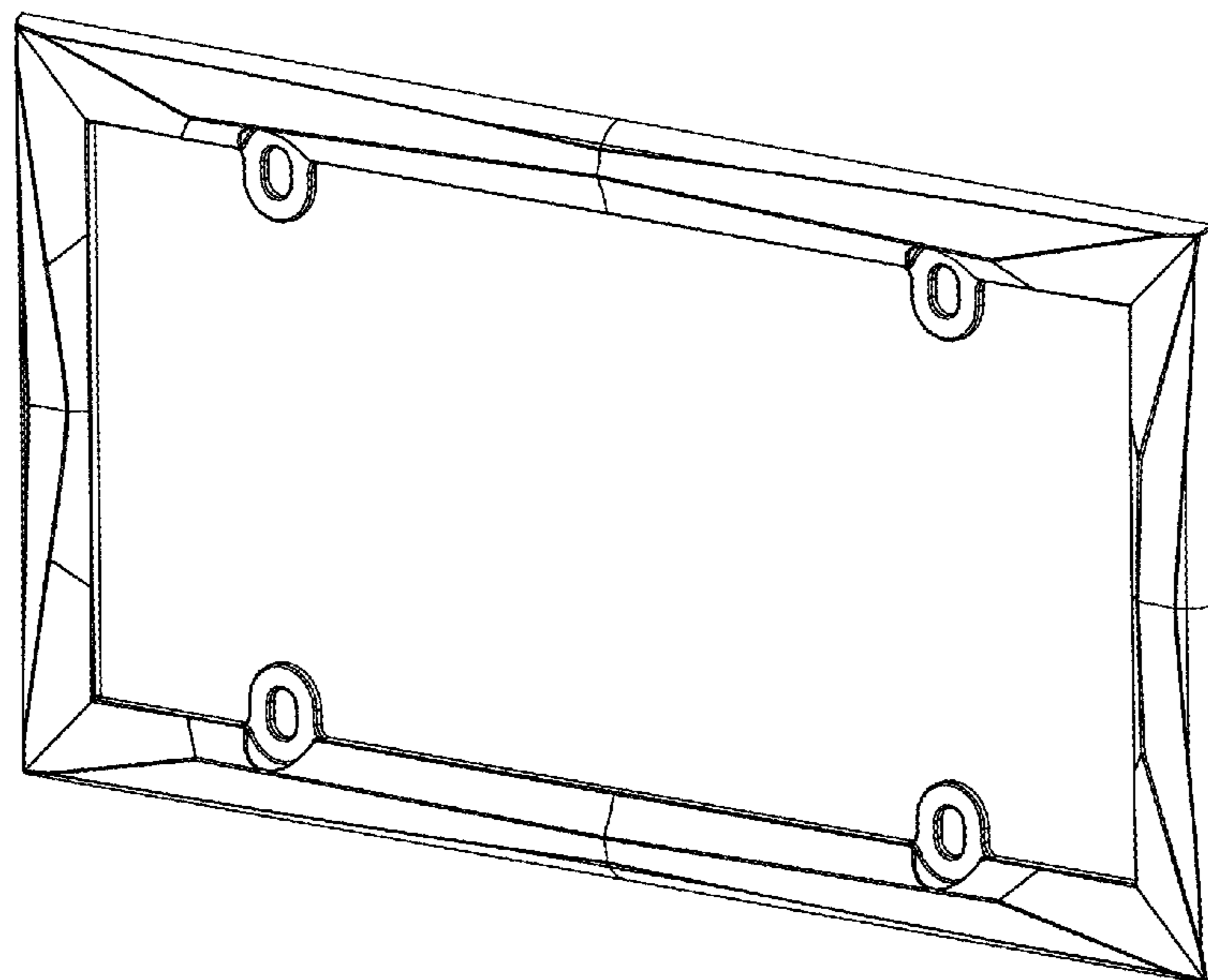
(57) **CLAIM**

The ornamental design for a license plate frame, as shown and described.

**DESCRIPTION**

FIG. 1 is a perspective front view showing our new design for a license plate frame.  
FIG. 2 is a magnified view of a portion of the license plate frame shown in FIG. 1.  
FIG. 3 is a front view of the license plate frame of the present invention.  
FIG. 4 is a back view of the license plate frame of the present invention.  
FIG. 5 is a top view of the license plate frame of the present invention.  
FIG. 6 is a bottom view of the license plate frame of the present invention.  
FIG. 7 is a left side view of the license plate frame of the present invention; and,  
FIG. 8 is right side view of the license plate frame of the present invention.

**1 Claim, 3 Drawing Sheets**



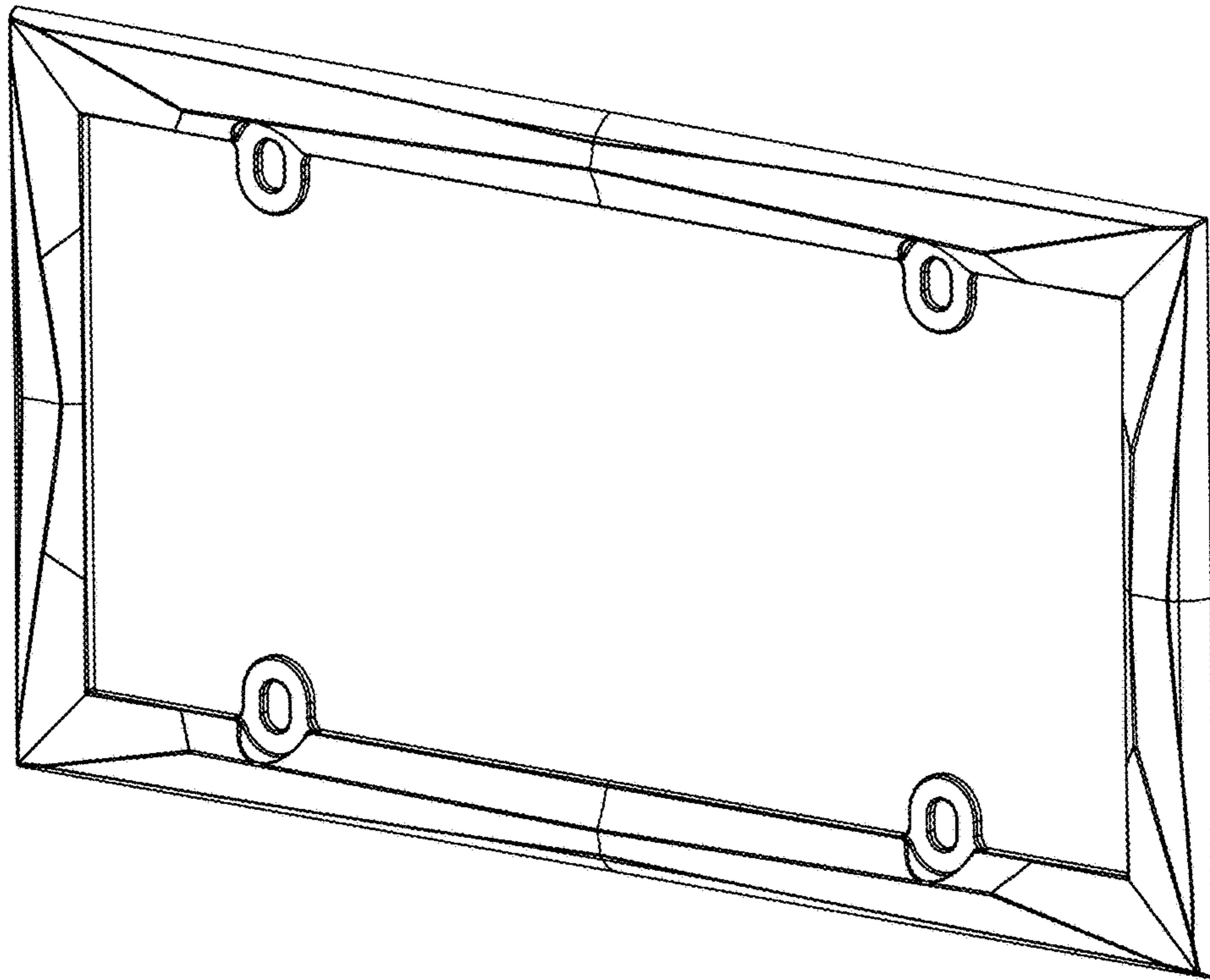


FIG. 1

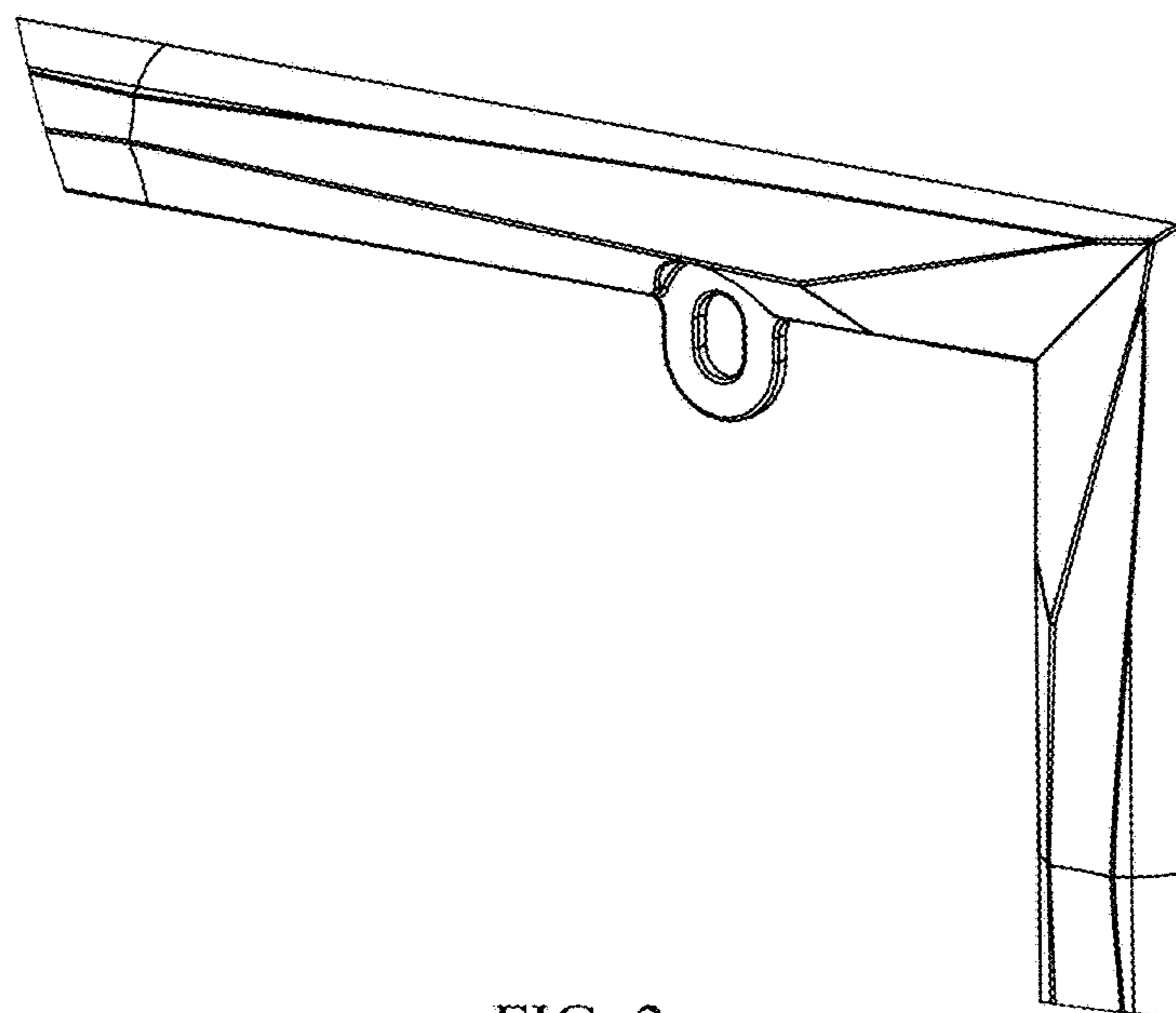


FIG. 2

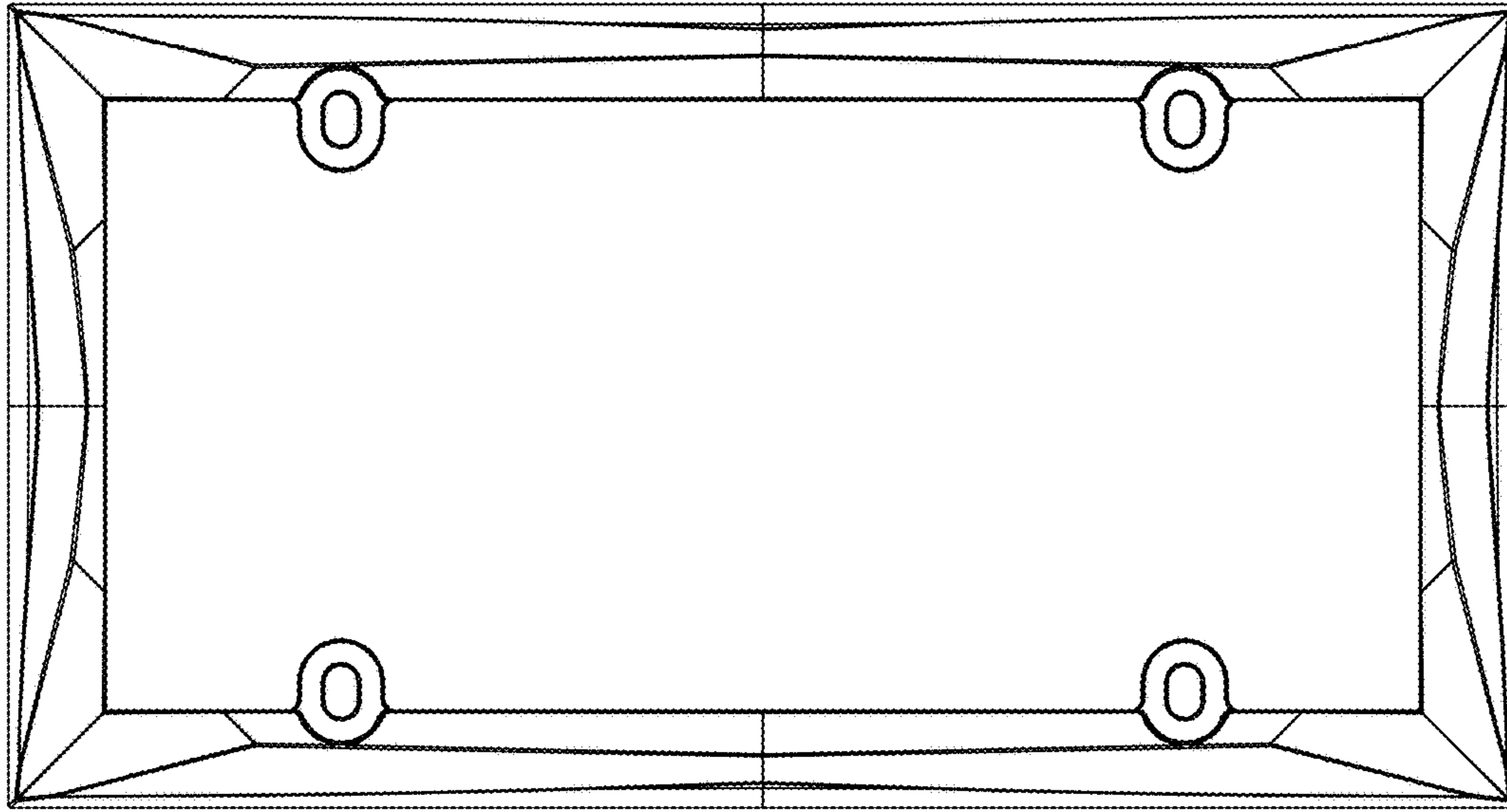


FIG. 3

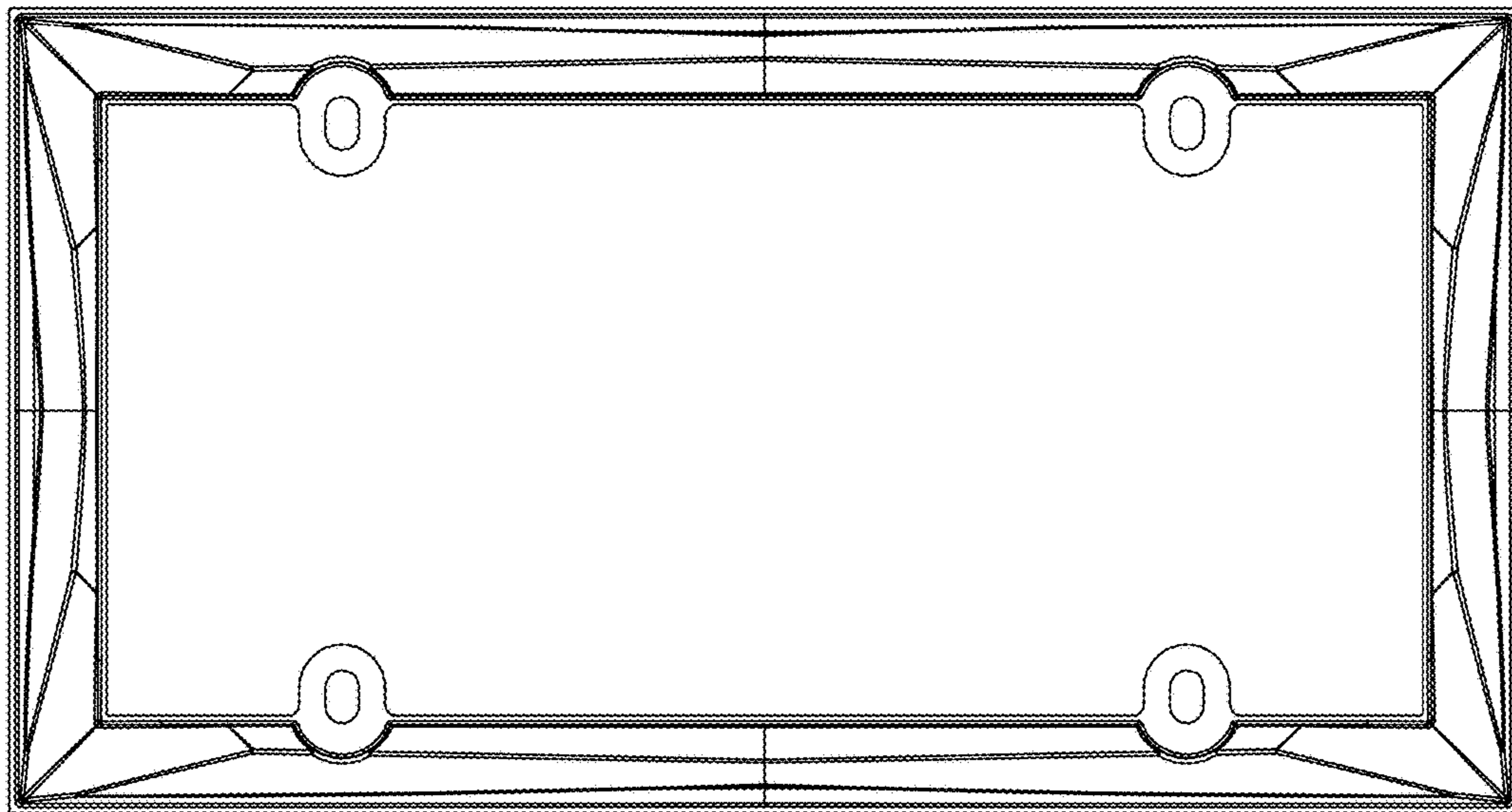


FIG. 4



FIG. 5

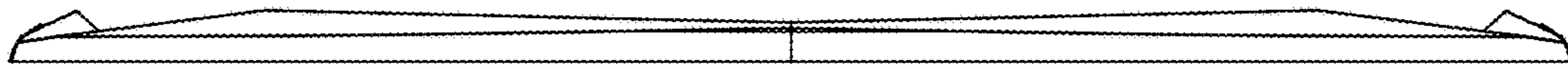


FIG. 6



FIG. 7



FIG. 8