



US00D823758S

(12) **United States Design Patent** (10) **Patent No.:** **US D823,758 S**  
**Andrews** (45) **Date of Patent:** **\*\* Jul. 24, 2018**

(54) **VEHICULAR WIND DEFLECTOR**  
(71) Applicant: **Russ Andrews**, St. Clair, MO (US)  
(72) Inventor: **Russ Andrews**, St. Clair, MO (US)  
(\*\*) Term: **15 Years**  
(21) Appl. No.: **29/543,027**  
(22) Filed: **Oct. 20, 2015**  
(51) **LOC (11) Cl.** ..... **12-16**  
(52) **U.S. Cl.**  
USPC ..... **D12/181**  
(58) **Field of Classification Search**  
USPC .... D12/86, 88, 90, 91, 92, 93, 94, 170, 171,  
D12/173, 164, 169, 167; D8/93, 98, 99;  
D23/386; 296/180.1, 91, 96; 280/727,  
280/848; 180/89.12; D22/118  
CPC ... B60J 7/223; B60J 1/20; B60J 1/2002; B60J  
7/22; B60J 7/226; B29C 45/0005; B62D  
29/043; B62D 35/00; B62D 25/00; B62D  
35/001; B62D 35/002; B62D 35/004;  
B62D 35/005; B62D 35/007; B62D  
35/008  
See application file for complete search history.

(56) **References Cited**  
U.S. PATENT DOCUMENTS  
5,375,882 A \* 12/1994 Koch, III ..... B62D 25/188  
280/848  
6,378,930 B1 \* 4/2002 Brettmann ..... B60J 7/223  
296/180.1  
D524,705 S \* 7/2006 Bettino ..... D12/181  
7,399,025 B2 \* 7/2008 Hermann ..... B60J 7/223  
296/180.1  
D597,454 S \* 8/2009 Wagner ..... D12/173

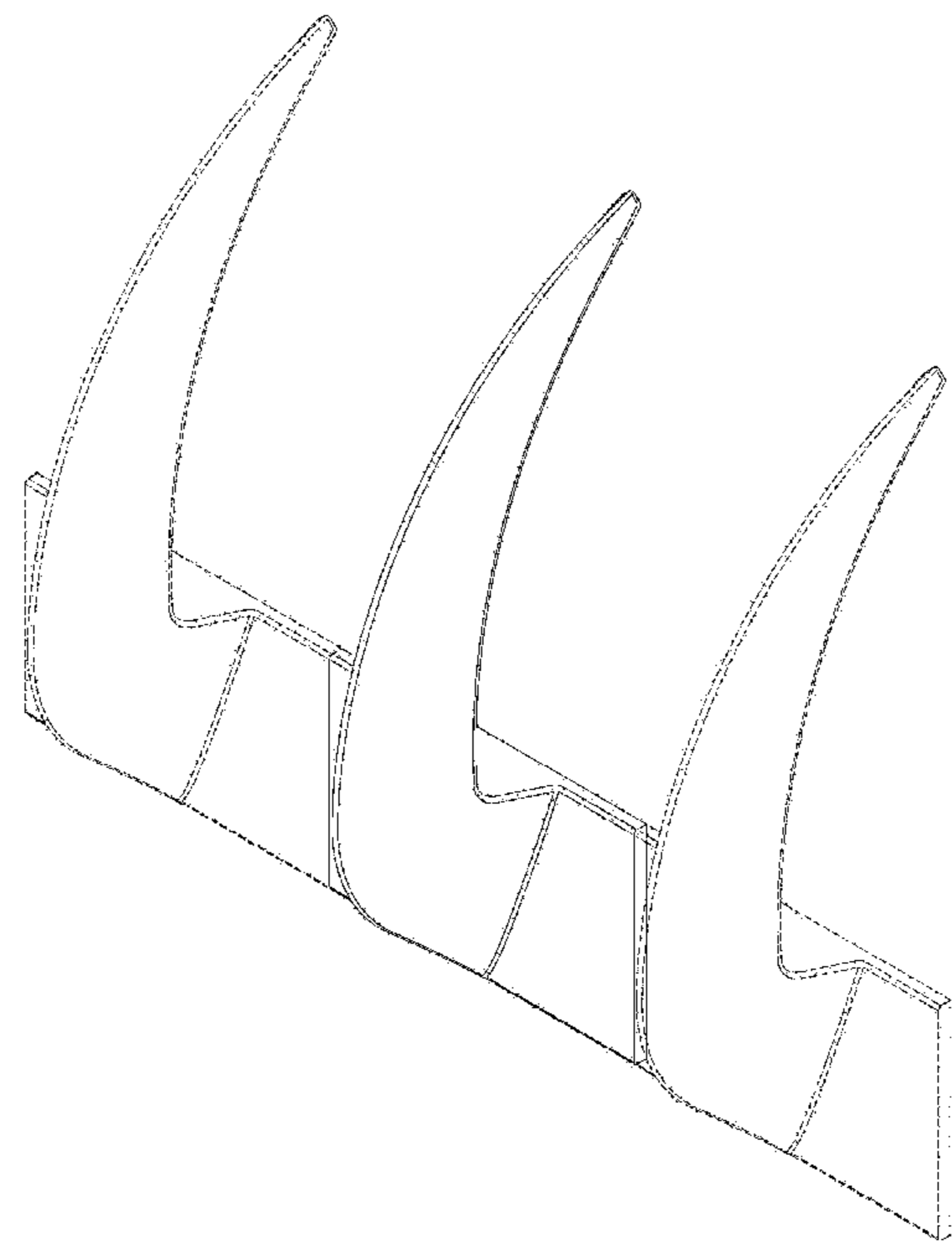
D727,819 S \* 4/2015 Hopkins ..... D12/190  
D758,263 S \* 6/2016 Gee ..... D12/181  
D801,872 S \* 11/2017 Buck ..... D12/92  
D805,999 S \* 12/2017 Ellis ..... D12/400  
2002/0041108 A1 \* 4/2002 Brettmann ..... B60J 7/223  
296/85  
2004/0026954 A1 \* 2/2004 Neel ..... B60J 1/2002  
296/95.1  
2004/0222660 A1 \* 11/2004 Hasselgruber ..... B60J 7/223  
296/108  
2010/0327624 A1 \* 12/2010 Wetzels ..... B60J 7/22  
296/180.1  
2015/0028623 A1 \* 1/2015 Geissenhoener ..... B60J 7/223  
296/180.1  
2017/0043653 A1 \* 2/2017 Kopp ..... B60J 7/202  
\* cited by examiner

*Primary Examiner* — Ian Simmons  
*Assistant Examiner* — Yolanda Robinson  
(74) *Attorney, Agent, or Firm* — Thompson Coburn LLP

(57) **CLAIM**  
The ornamental design for a vehicular wind deflector, as shown and described.

**DESCRIPTION**  
FIG. 1 is a perspective view of the design showing the top, front, and right sides of the design.  
FIG. 2 is a right side view of the design, the left side view being a mirror image thereof.  
FIG. 3 is a front view of the design.  
FIG. 4 is a top view of the design.  
FIG. 5 is a bottom view of the design; and,  
FIG. 6 is a rear view of the design.  
Broken lines in the drawing figures represent environment and do not constitute part of the claimed design.

**1 Claim, 3 Drawing Sheets**



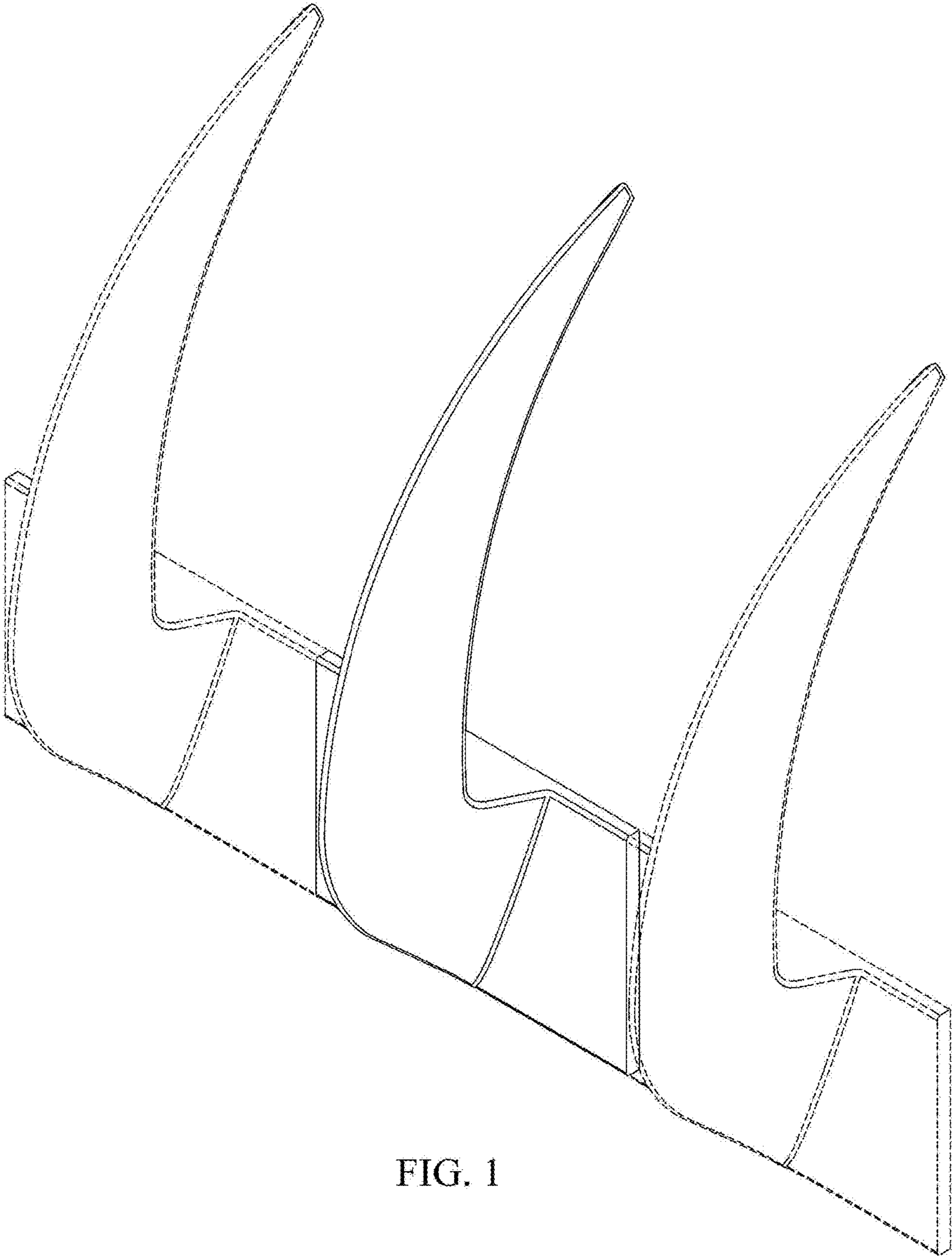


FIG. 1

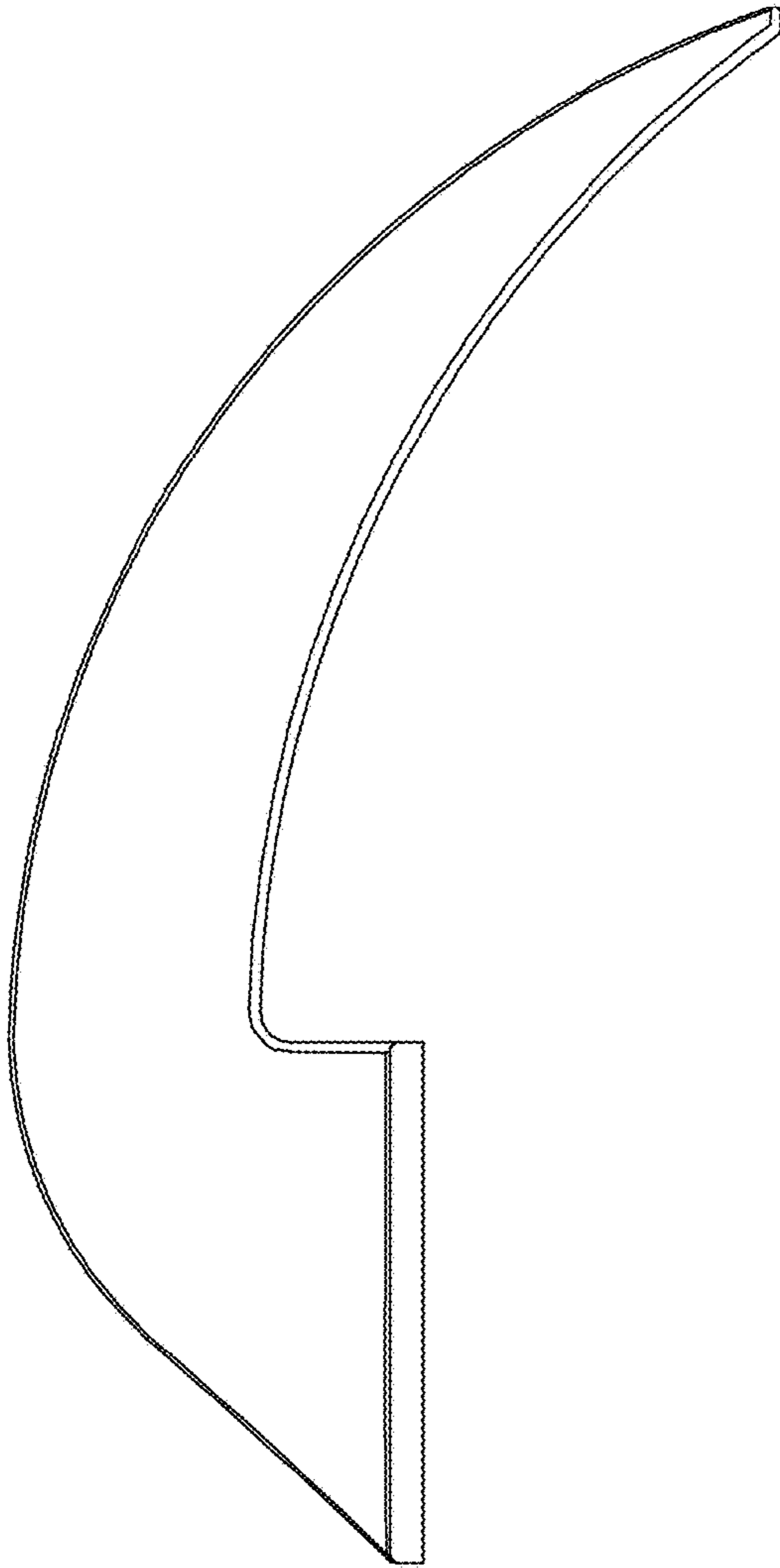


FIG. 2

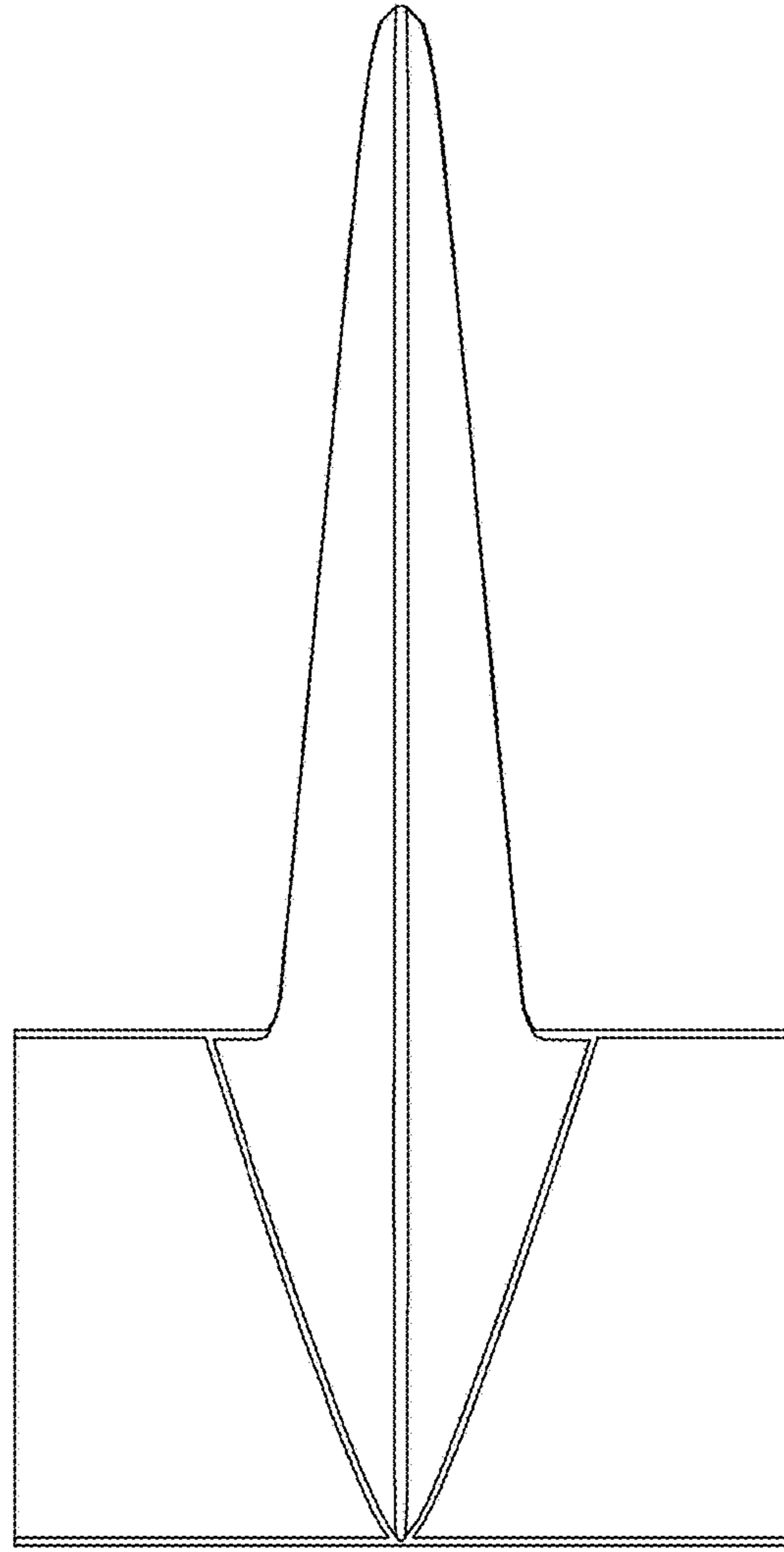


FIG. 3

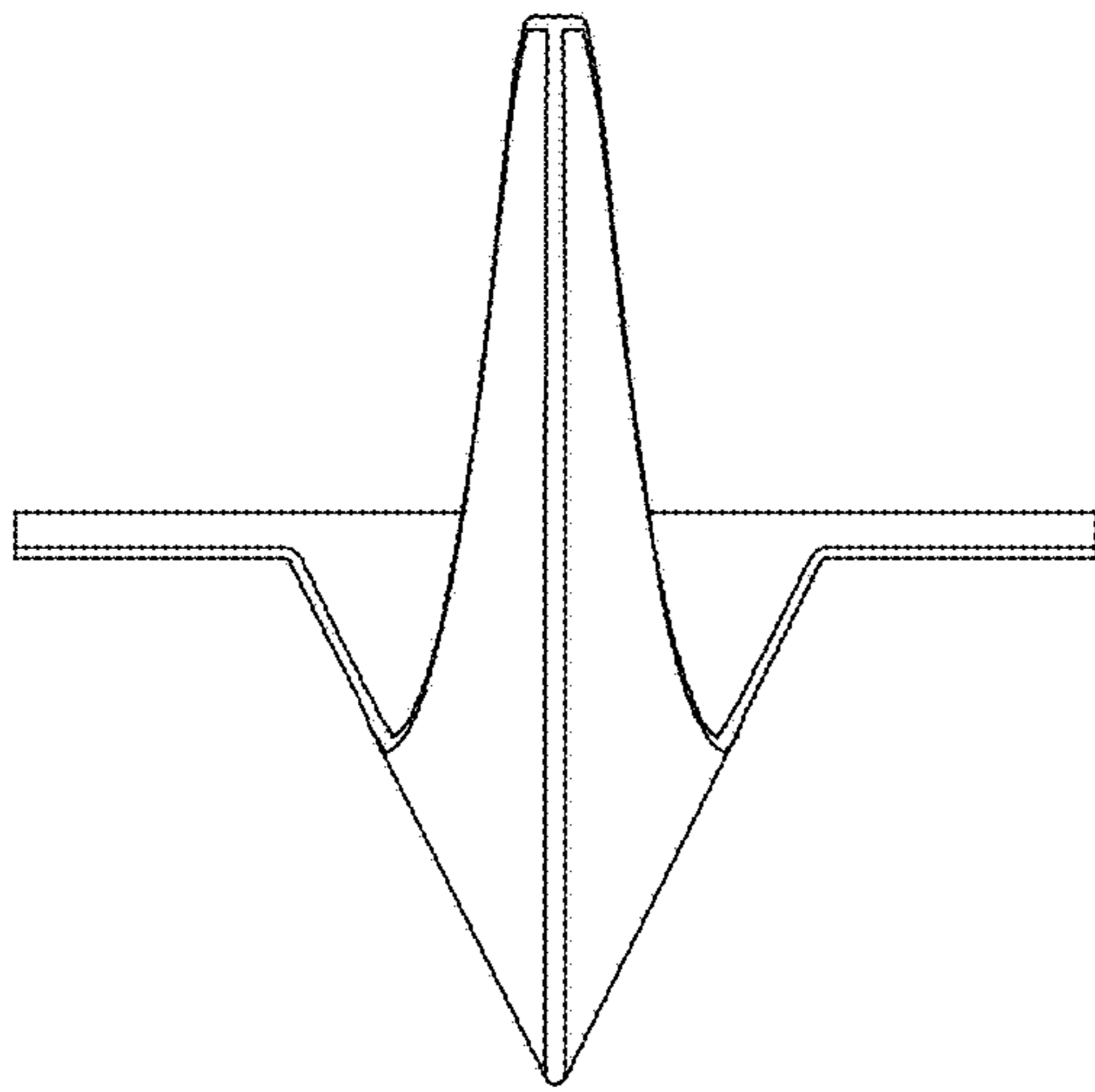


FIG. 4

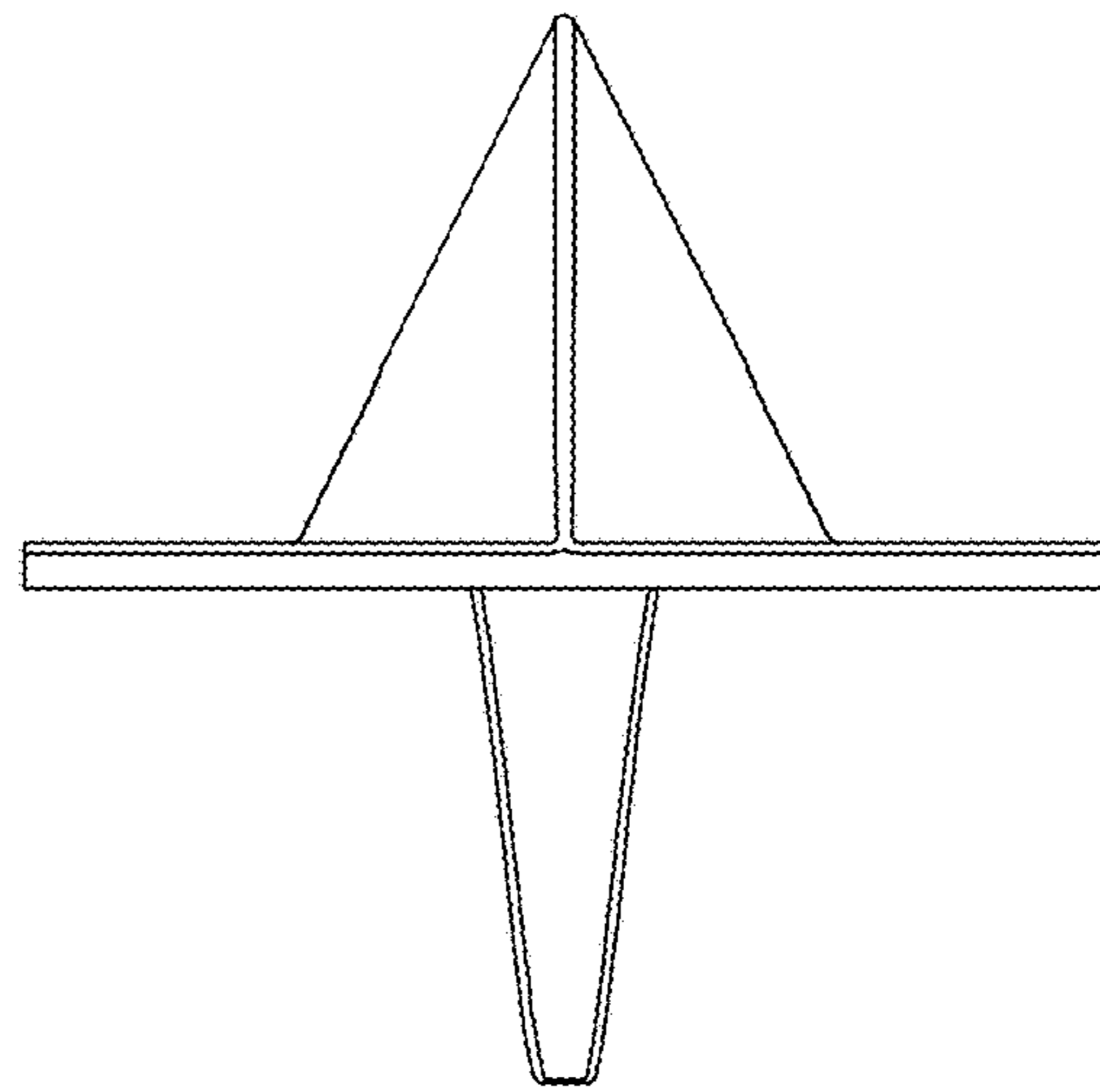


FIG. 5

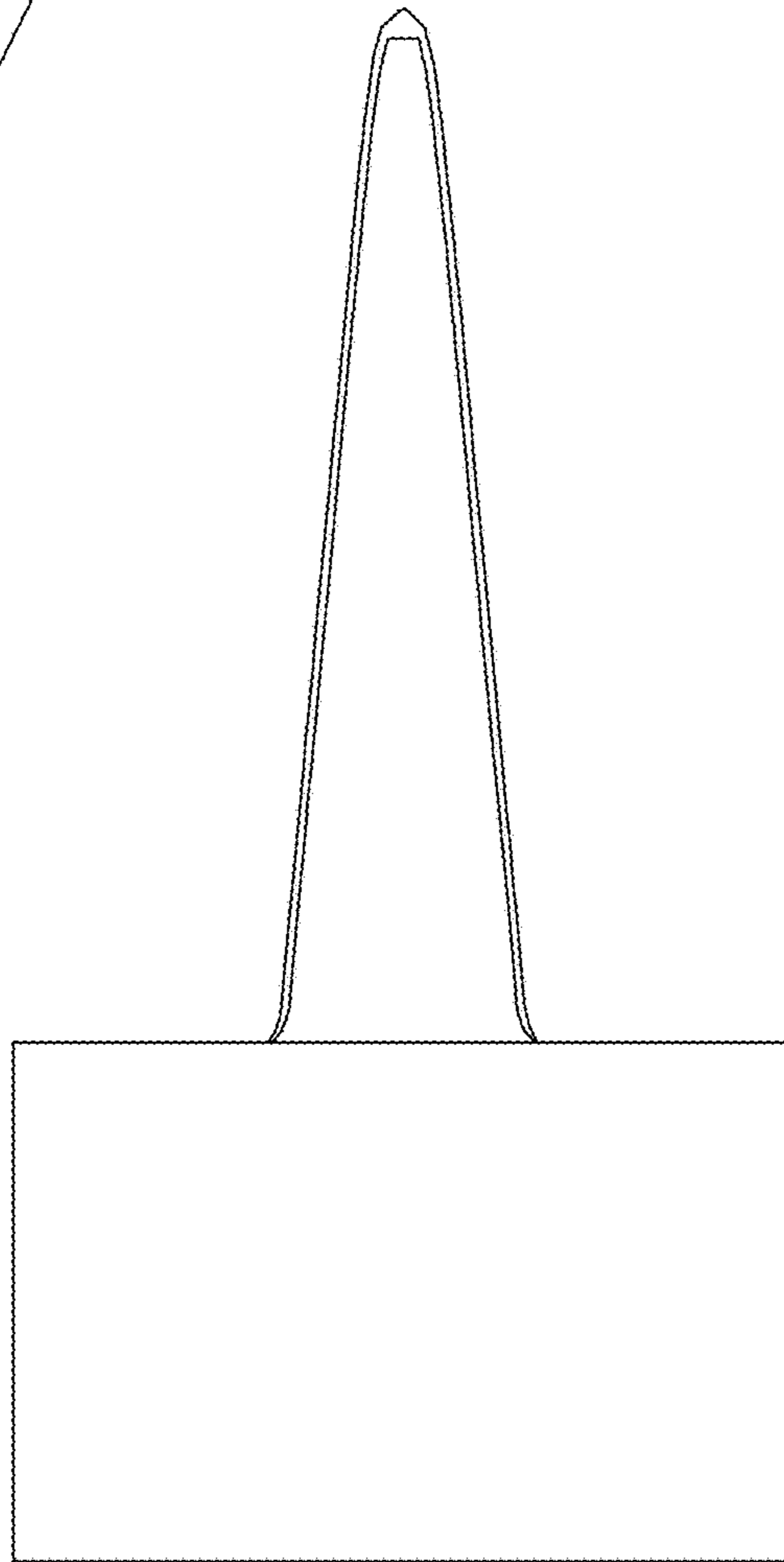


FIG. 6