



US00D823756S

(12) **United States Design Patent** (10) **Patent No.:** **US D823,756 S**
Chiang (45) **Date of Patent:** **** Jul. 24, 2018**

(54) **VEHICLE HOOD**
(71) Applicant: **Grand HC Auto Tooling Corp.**, Taipei (TW)
(72) Inventor: **Henry Chiang**, Taipei (TW)
(73) Assignee: **GRAND HC AUTO TOOLING CORP.**, Taipei (TW)

D718,683 S * 12/2014 Thole D12/173
D775,021 S * 12/2016 Harriton D12/173
D778,217 S * 2/2017 Ito D12/173
D784,219 S * 4/2017 Jung D12/173
D787,993 S * 5/2017 McCabe D12/173
D797,603 S * 9/2017 Noone D12/91
D804,372 S * 12/2017 Kozub D12/173
D813,757 S * 3/2018 Kozub D12/173
D813,758 S * 3/2018 Gonzales D12/173
D815,574 S * 4/2018 Mainville D12/173
2011/0120791 A1* 5/2011 Greenwood B60K 11/04 180/68.1

(**) Term: **15 Years**

* cited by examiner

(21) Appl. No.: **29/613,399**

Primary Examiner — Marianne N Pandozzi

(22) Filed: **Aug. 10, 2017**

Assistant Examiner — Suzanne E Tisdell

(51) **LOC (11) Cl.** **12-08**

(74) *Attorney, Agent, or Firm* — Leong C. Lei

(52) **U.S. Cl.**
USPC **D12/173**

(58) **Field of Classification Search**
USPC D12/86, 91, 93, 163, 164, 166, 167, 169,
D12/171, 172, 173, 190, 216
CPC B62D 25/08; B62B 9/16; B60K 11/08;
B60R 19/52

(57) **CLAIM**

The ornamental design for a vehicle hood, as shown and described.

See application file for complete search history.

DESCRIPTION

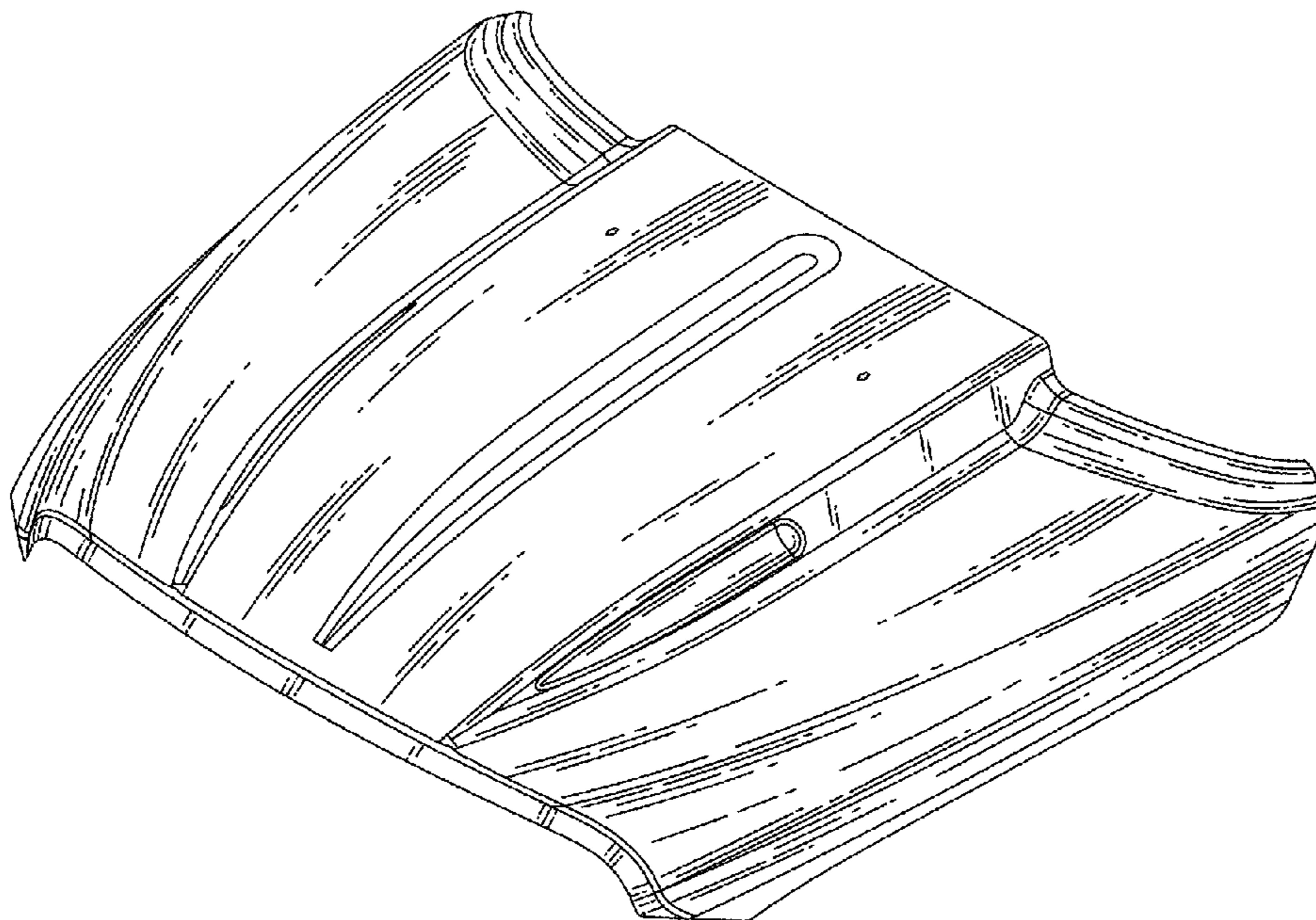
(56) **References Cited**

FIG. 1 is a front perspective view of a vehicle hood showing my new design;
FIG. 2 is a front elevational view thereof;
FIG. 3 is a rear elevational view thereof;
FIG. 4 is a left elevational view thereof;
FIG. 5 is a right elevational view thereof;
FIG. 6 is a top plan view thereof; and,
FIG. 7 is a bottom plan view thereof.

U.S. PATENT DOCUMENTS

D627,686 S * 11/2010 Thompson D12/91
D646,203 S * 10/2011 Thompson D12/91
D646,607 S * 10/2011 Verhee D12/169
D649,908 S * 12/2011 Mullen D12/86
D649,909 S * 12/2011 Mullen D12/86
D661,231 S * 6/2012 Galante D12/163
D683,675 S * 6/2013 Munson D12/173
D686,121 S * 7/2013 McCabe D12/173

1 Claim, 5 Drawing Sheets



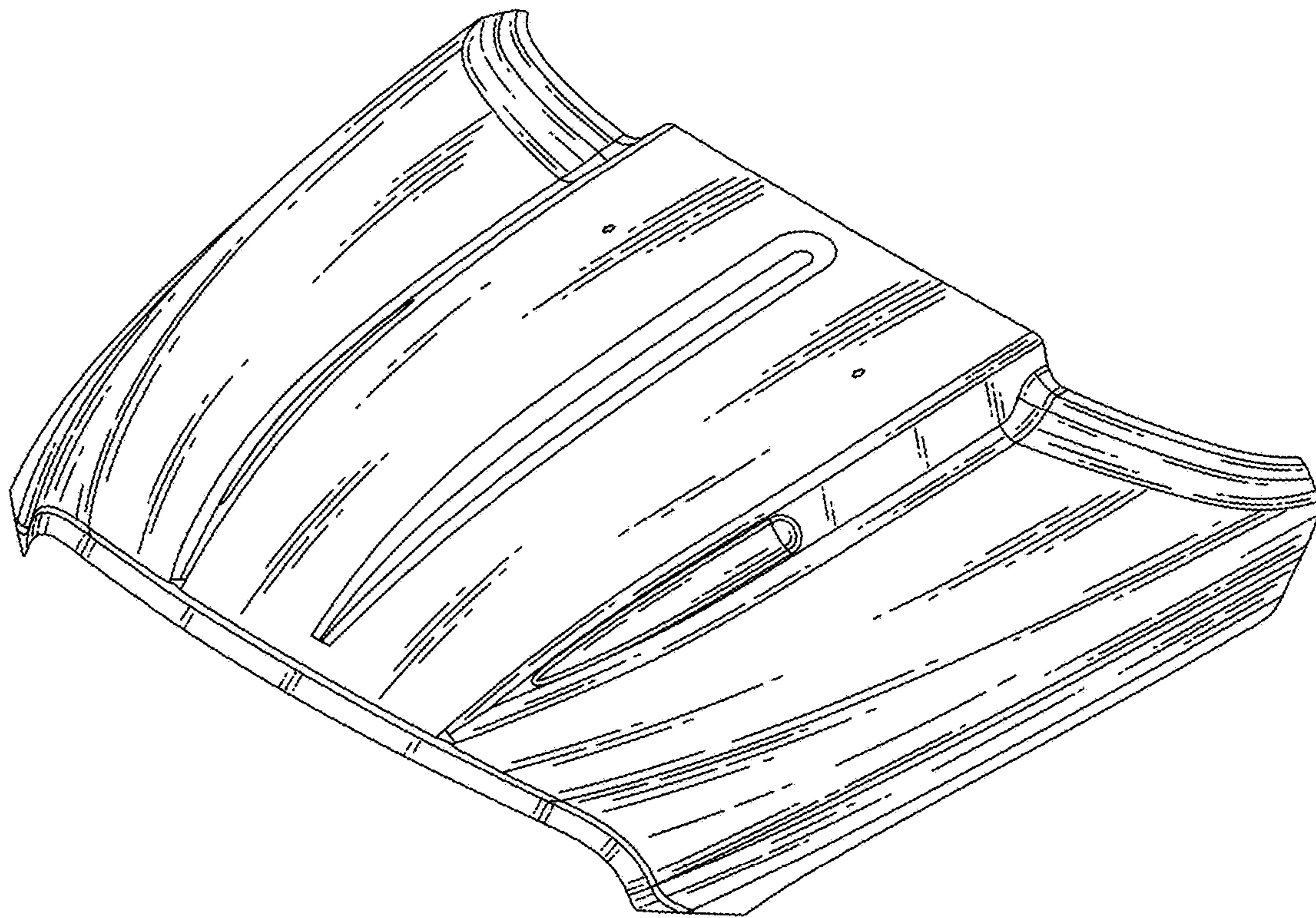


Fig. 1

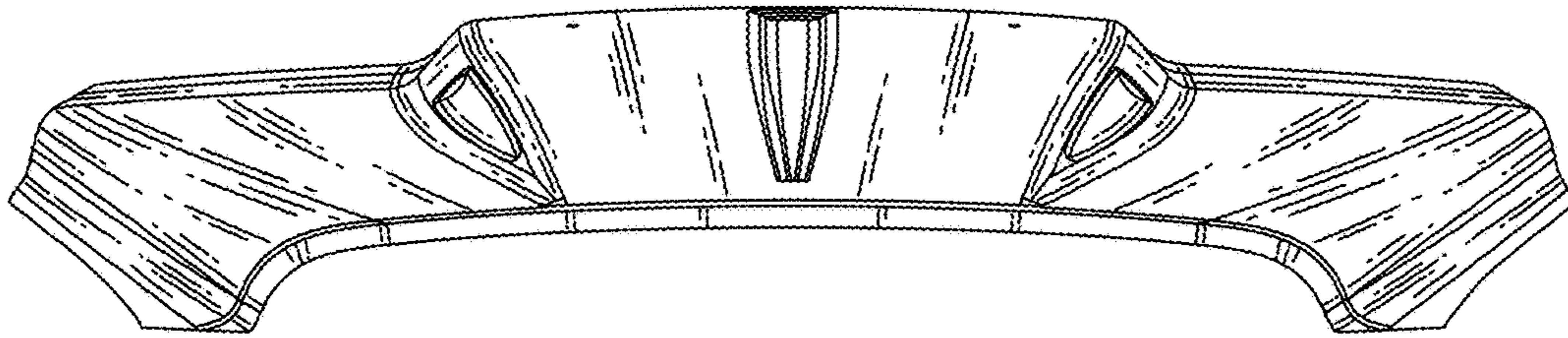


Fig. 2

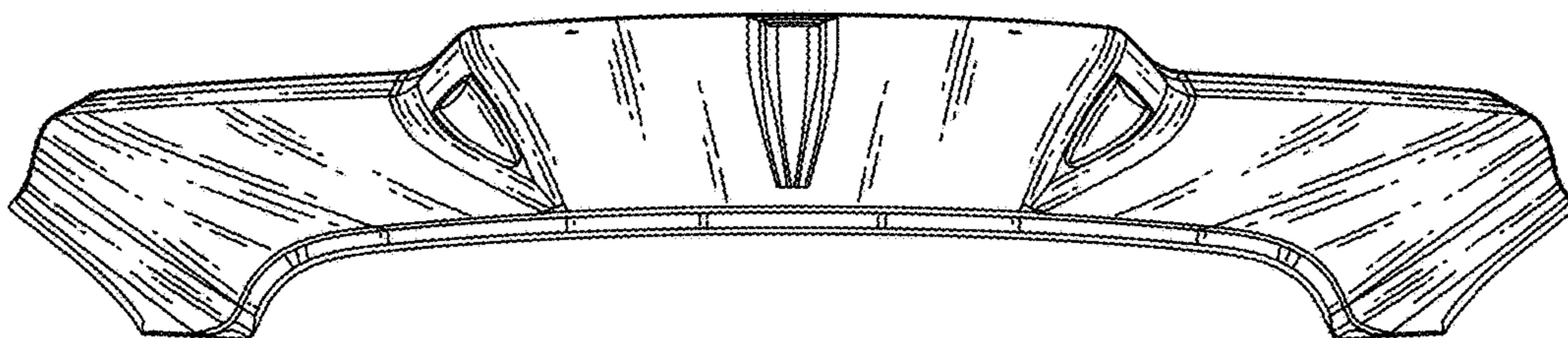


Fig. 3

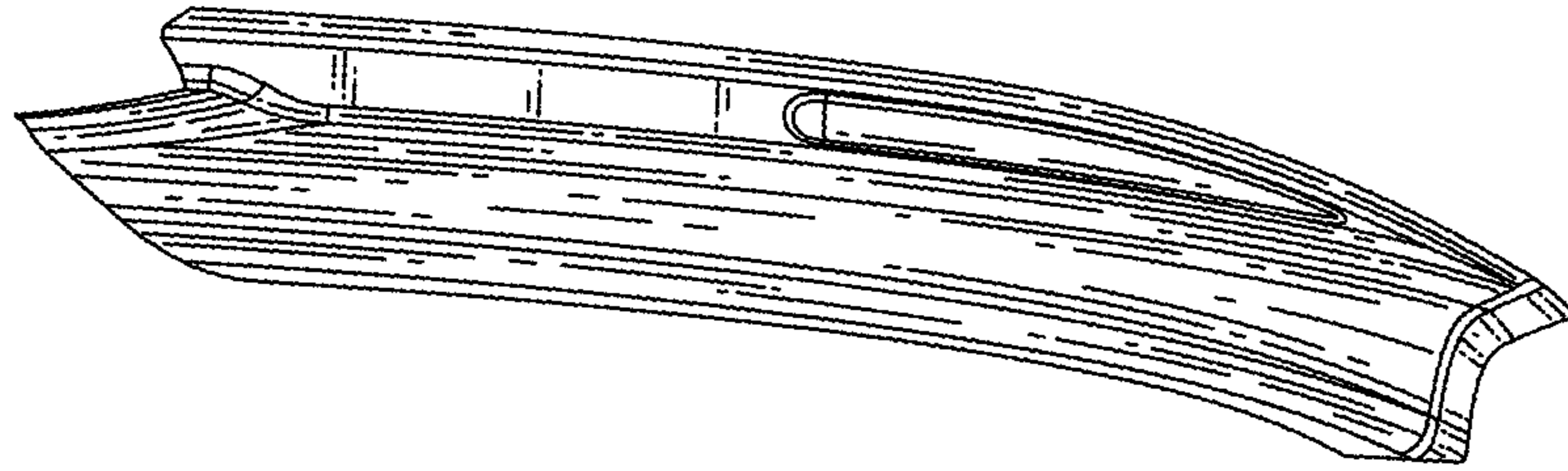


Fig. 4

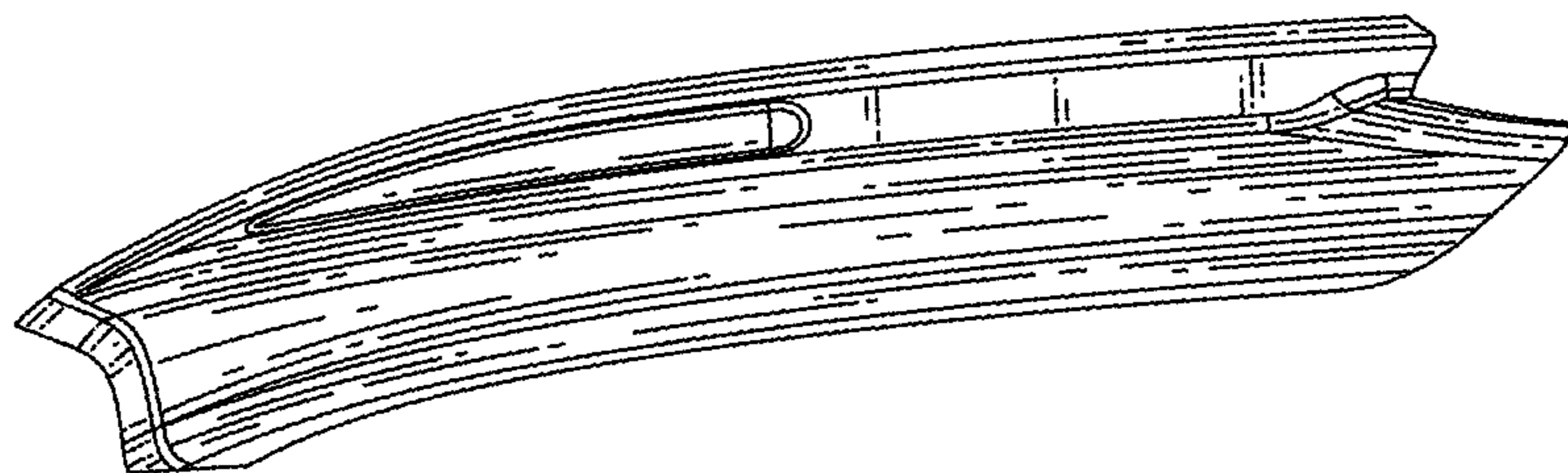


Fig. 5

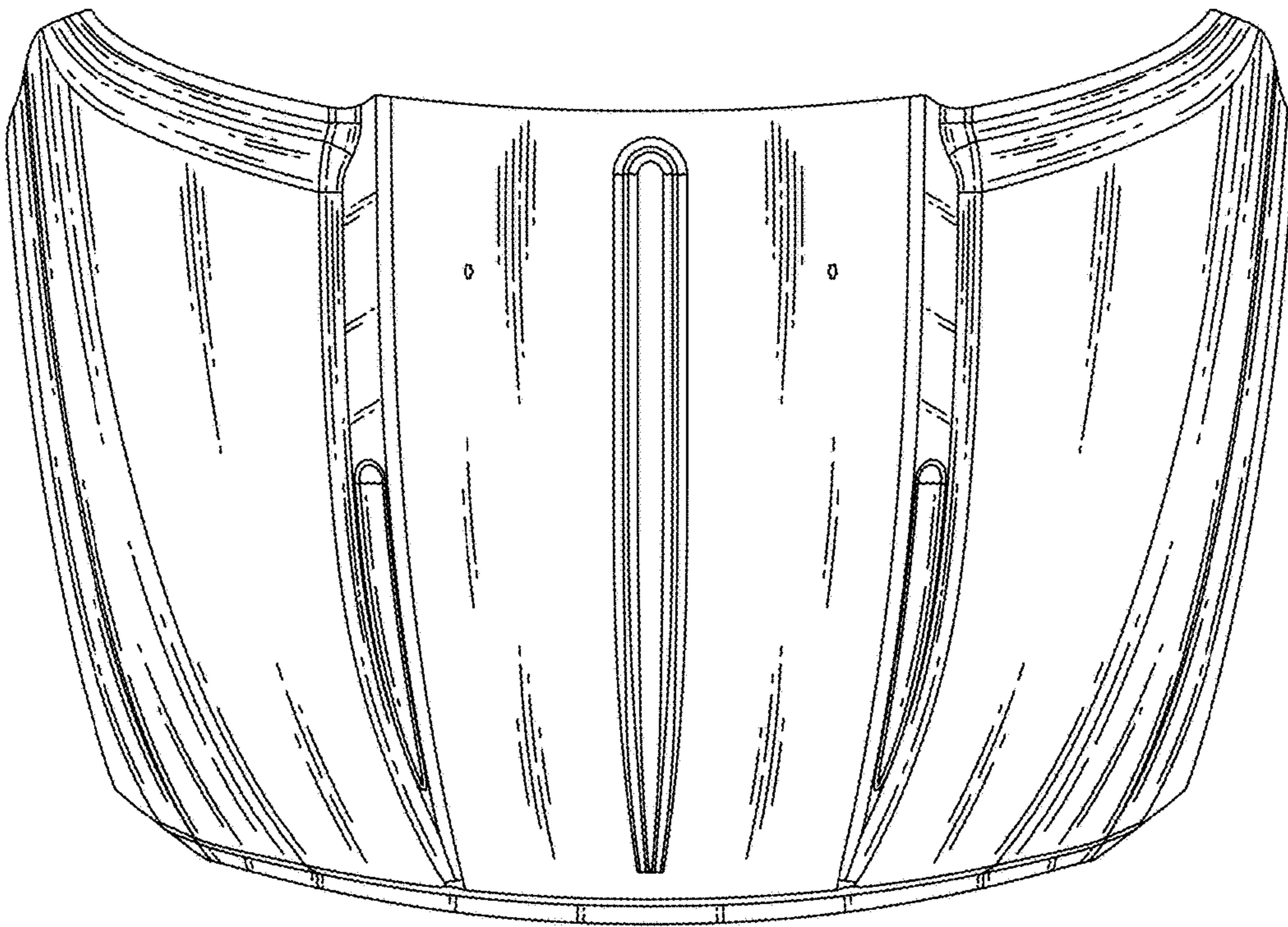


Fig. 6

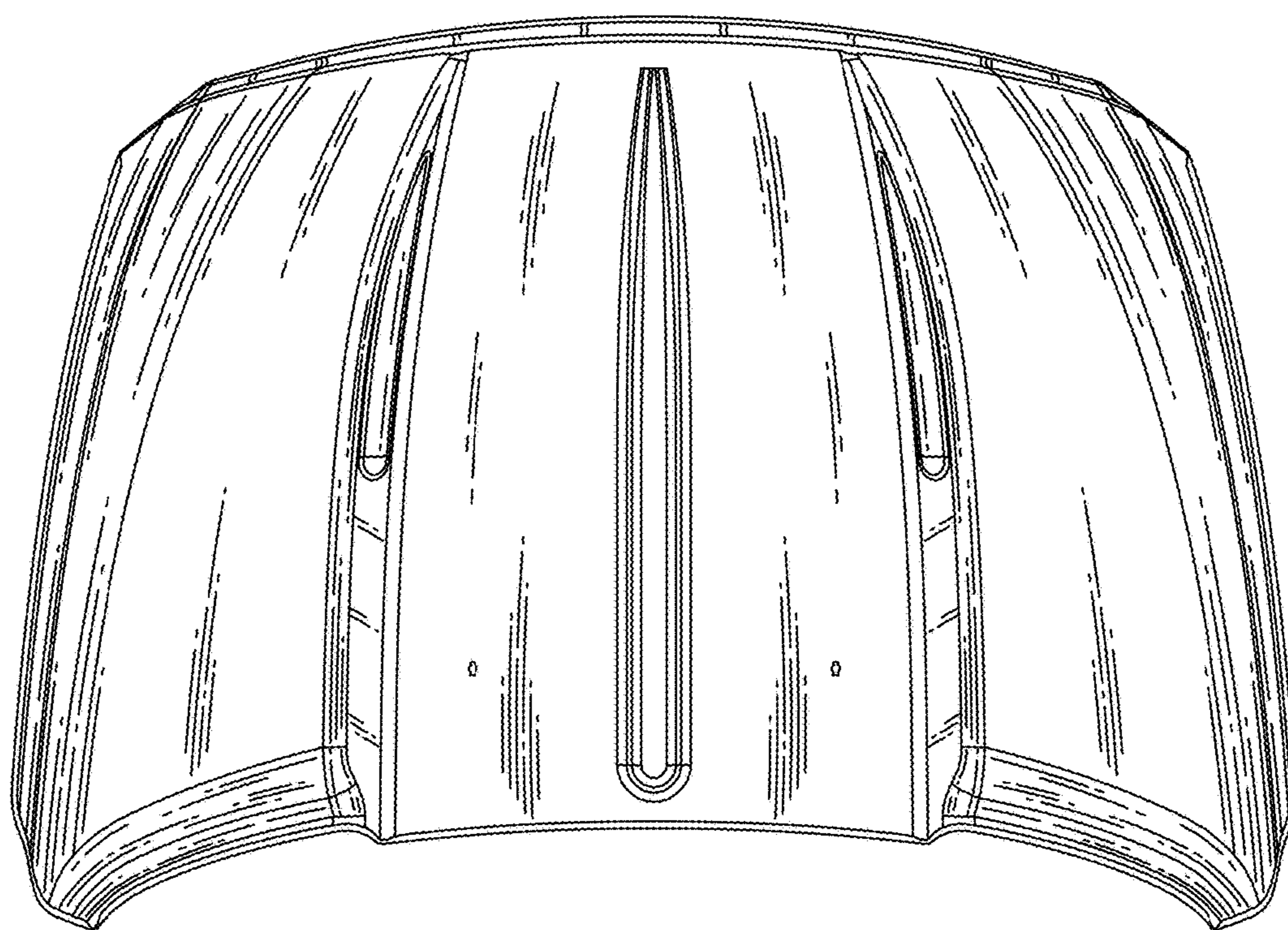


Fig. 7