



US00D823755S

(12) **United States Design Patent**
Rolfs et al.

(10) **Patent No.:** **US D823,755 S**
(45) **Date of Patent:** **** Jul. 24, 2018**

- (54) **AUTOMOBILE HOOD**
- (71) Applicants: **Jeremy Rolfs**, Sylvan Lake, MI (US);
Nicholas Vardis, Sylvan Lake, MI (US)
- (72) Inventors: **Jeremy Rolfs**, Sylvan Lake, MI (US);
Nicholas Vardis, Sylvan Lake, MI (US)
- (73) Assignee: **FCA US LLC**, Auburn Hills, MI (US)
- (**) Term: **15 Years**

| | | | | |
|-------------------|---------|-----------|-------|------------------------|
| D686,121 S * | 7/2013 | McCabe | | D12/173 |
| D718,683 S * | 12/2014 | Thole | | D12/173 |
| D775,021 S * | 12/2016 | Harriton | | D12/173 |
| D778,217 S * | 2/2017 | Ito | | D12/173 |
| D784,219 S * | 4/2017 | Jung | | D12/173 |
| D787,993 S * | 5/2017 | McCabe | | D12/173 |
| D797,603 S * | 9/2017 | Noone | | D12/91 |
| D804,372 S * | 12/2017 | Kozub | | D12/173 |
| D813,757 S * | 3/2018 | Kozub | | D12/173 |
| D813,758 S * | 3/2018 | Gonzales | | D12/173 |
| D815,574 S * | 4/2018 | Mainville | | D12/173 |
| 2011/0120791 A1 * | 5/2011 | Greenwood | | B60K 11/04 180/68.1 |

- (21) Appl. No.: **29/605,328**
- (22) Filed: **May 25, 2017**
- (51) **LOC (11) Cl.** **12-08**
- (52) **U.S. Cl.**
USPC **D12/173**
- (58) **Field of Classification Search**
USPC D12/86, 91, 93, 163, 164, 166, 167, 169,
D12/171, 172, 173, 190, 216
CPC B62D 25/08; B62B 9/16; B60K 11/08;
B60R 19/52
See application file for complete search history.

* cited by examiner

Primary Examiner — Marianne N Pandozzi
Assistant Examiner — Suzanne E Tisdell
(74) *Attorney, Agent, or Firm* — Ralph E. Smith

(57) **CLAIM**

The ornamental design for an automobile hood, as shown and described.

DESCRIPTION

FIG. 1 is an elevated front right side perspective view of an automobile hood showing our new design;
FIG. 2 is an enlarged view of FIG. 1;
FIG. 3 is an elevated rear right side perspective view thereof;
FIG. 4 is a front view thereof;
FIG. 5 is a top plan view thereof; and,
FIG. 6 is a right side view.

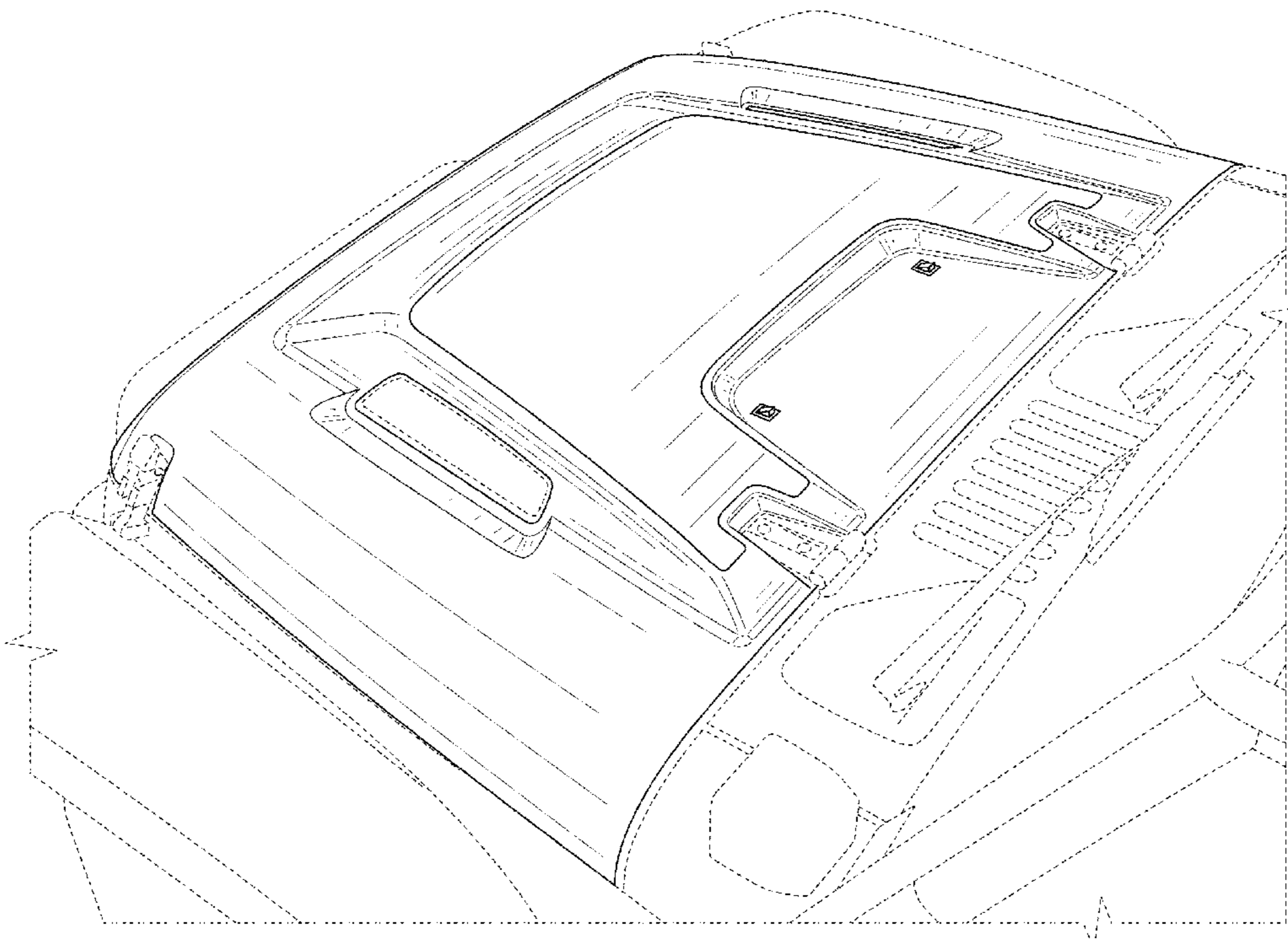
It will be understood that the broken lines shown in the drawings illustrate portions of the automobile hood that form no part of claimed design.

1 Claim, 6 Drawing Sheets

(56) **References Cited**

U.S. PATENT DOCUMENTS

| | | | | |
|--------------|---------|----------|-------|---------|
| D627,686 S * | 11/2010 | Thompson | | D12/91 |
| D646,203 S * | 10/2011 | Thompson | | D12/91 |
| D646,607 S * | 10/2011 | Verhee | | D12/169 |
| D649,908 S * | 12/2011 | Mullen | | D12/86 |
| D649,909 S * | 12/2011 | Mullen | | D12/86 |
| D661,231 S * | 6/2012 | Galante | | D12/163 |
| D683,675 S * | 6/2013 | Munson | | D12/173 |



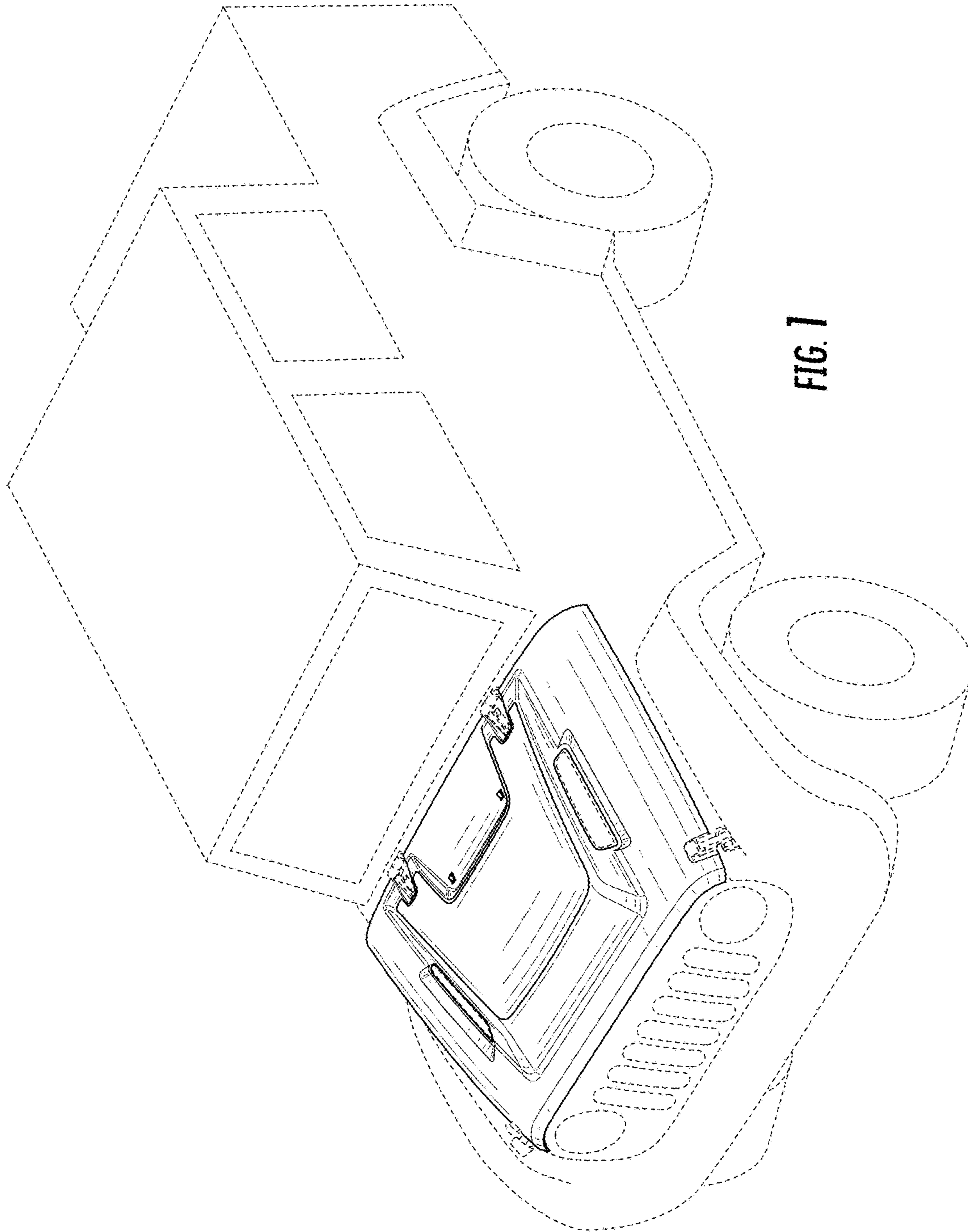


FIG. 1

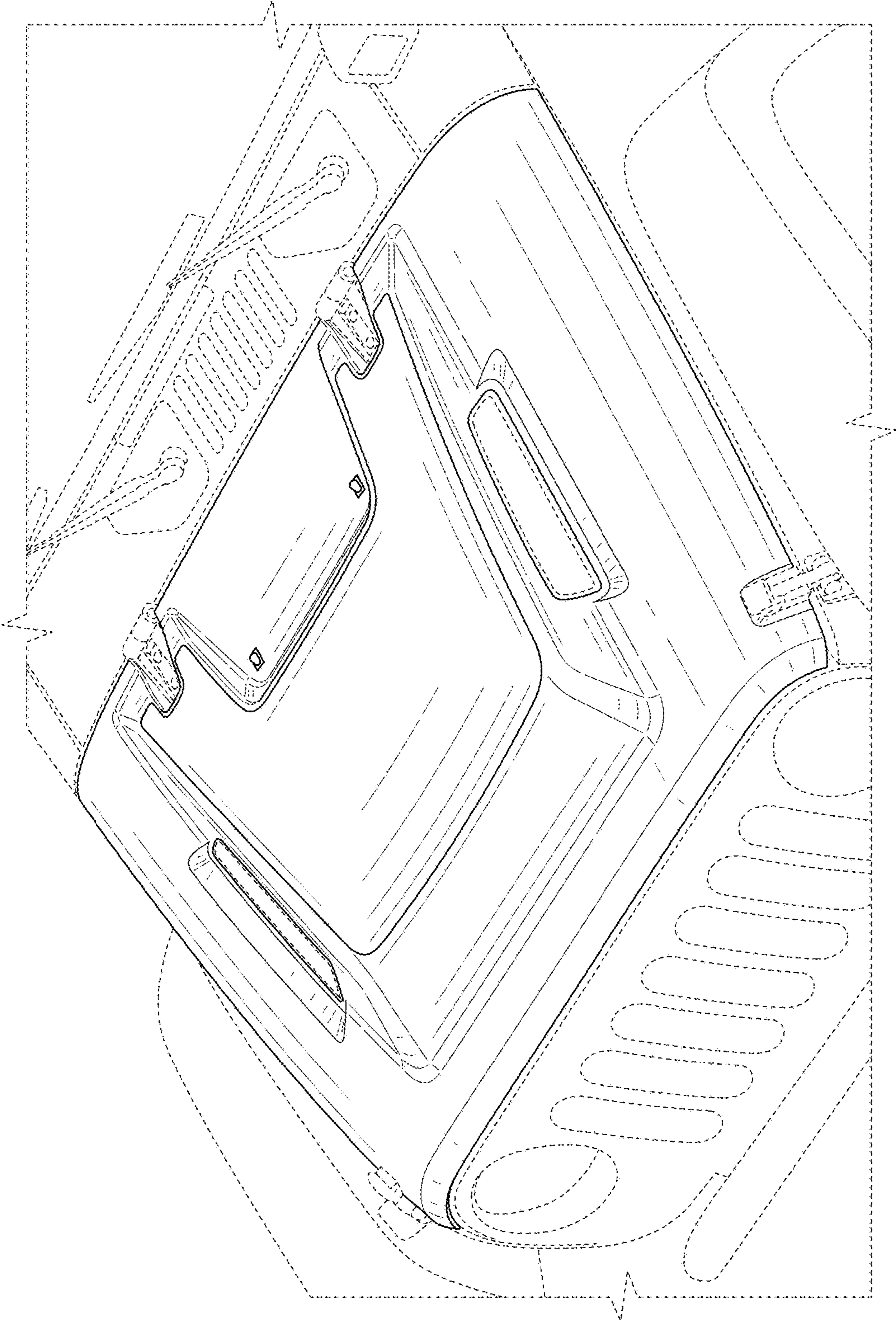


FIG. 2

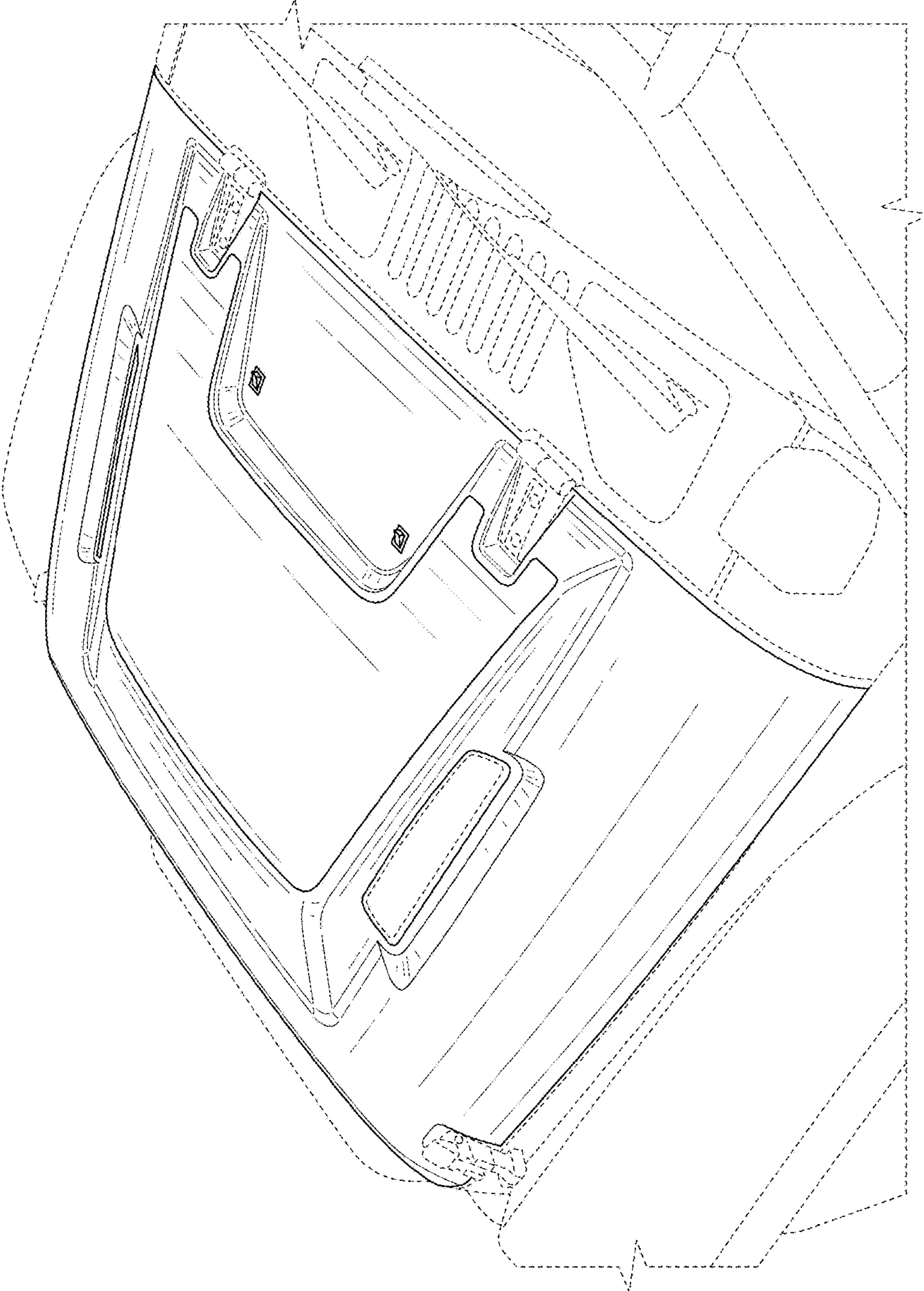


FIG. 3

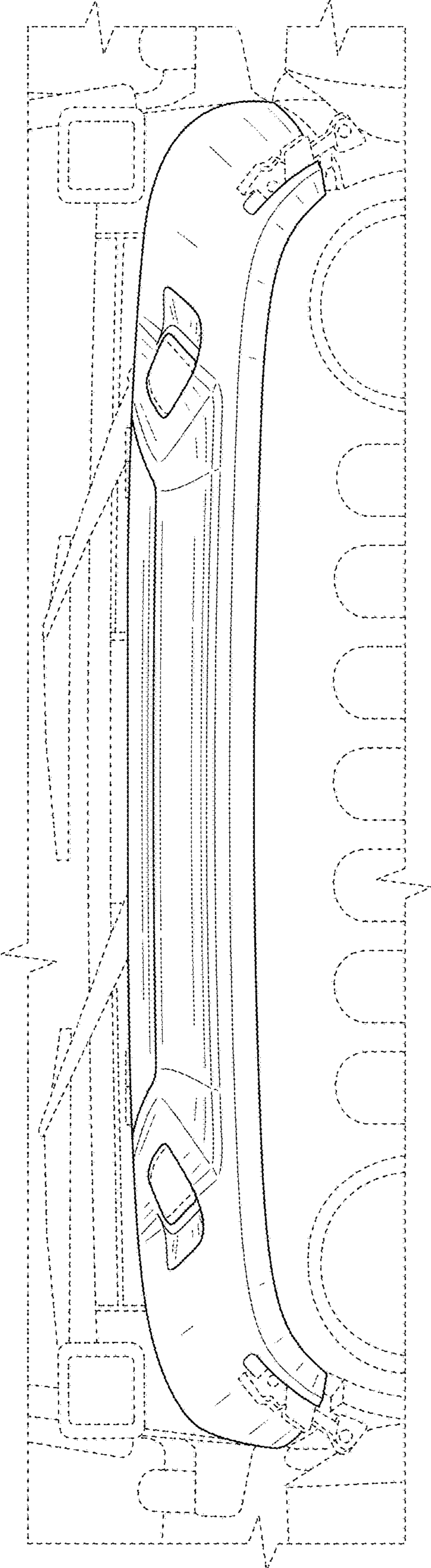


FIG. 4

FIG. 5

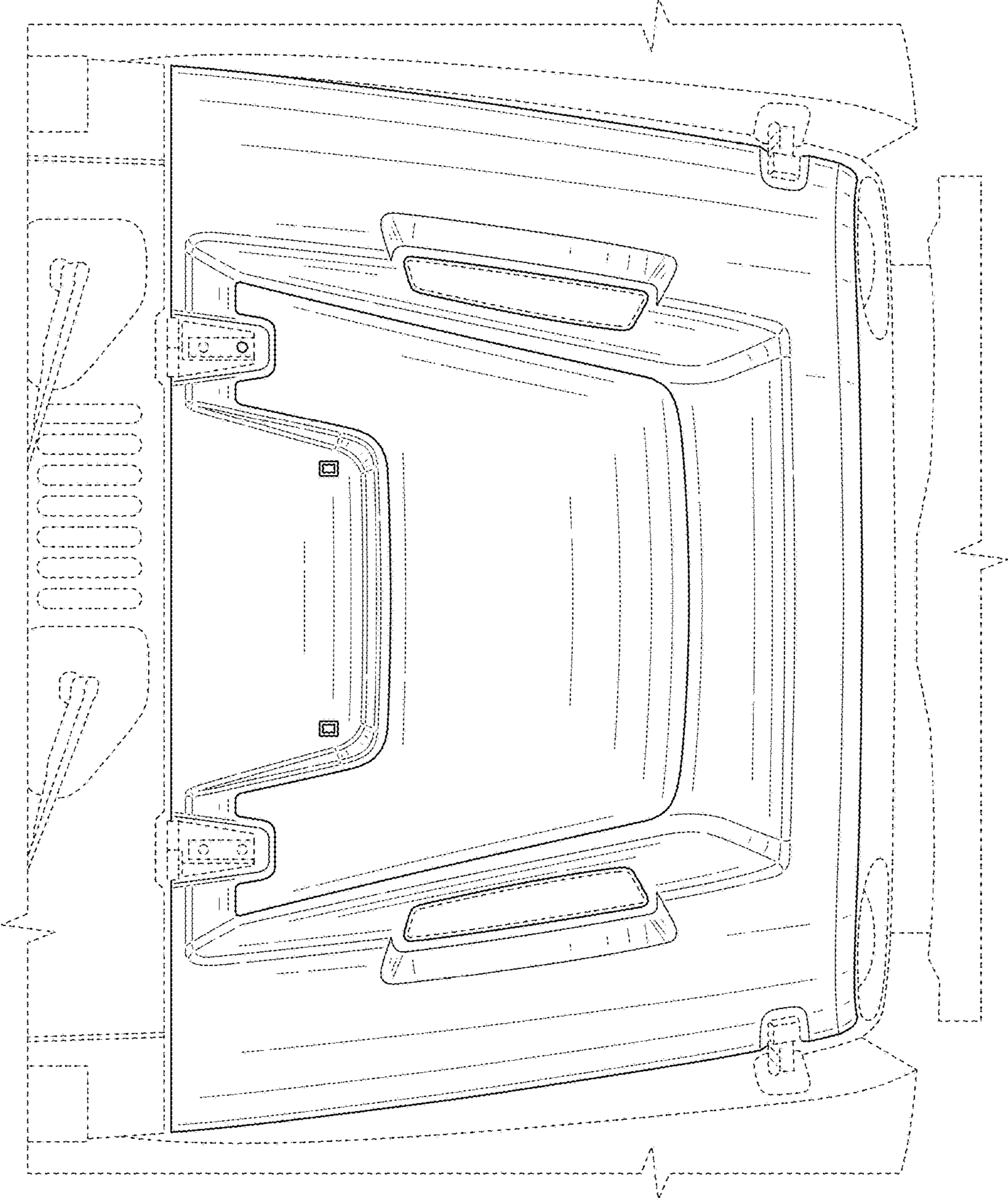




FIG. 6