



US00D823754S

(12) **United States Design Patent**
Dionisopoulos et al.

(10) **Patent No.:** **US D823,754 S**
(45) **Date of Patent:** **** Jul. 24, 2018**

- (54) **VEHICLE HOOD**
- (71) Applicants: **Frank Dionisopoulos**, Grosse Pointe Shores, MI (US); **Nicholas Vardis**, Sylvan Lake, MI (US)
- (72) Inventors: **Frank Dionisopoulos**, Grosse Pointe Shores, MI (US); **Nicholas Vardis**, Sylvan Lake, MI (US)
- (73) Assignee: **FCA US LLC**, Auburn Hills, MI (US)
- (**) Term: **15 Years**
- (21) Appl. No.: **29/594,154**
- (22) Filed: **Feb. 16, 2017**
- (51) **LOC (11) Cl.** **12-08**
- (52) **U.S. Cl.**
USPC **D12/173**
- (58) **Field of Classification Search**
USPC D12/92, 163, 169, 173
CPC . B60J 7/00; B60R 21/34; B62D 25/08; B62D 25/10; B60K 28/10; B60Q 1/00
See application file for complete search history.

(56) **References Cited**

U.S. PATENT DOCUMENTS

D473,829 S *	4/2003	Hoyle, Jr.	D12/173
D528,482 S *	9/2006	Hamburger	D12/181
D561,665 S *	2/2008	Thomas	D12/173
D597,002 S *	7/2009	Jamieson	D12/173
D619,062 S *	7/2010	Improta	D12/173
D623,100 S *	9/2010	Bimbi	D12/173

D703,119 S *	4/2014	Platto	D12/173
D735,625 S *	8/2015	Mays	D12/173
D739,317 S *	9/2015	McMahan	D12/173
D762,148 S *	7/2016	Platto	D12/173
D772,768 S *	11/2016	Chiang	D12/173
D777,220 S *	1/2017	Powell	D15/31
2004/0256024 A1 *	12/2004	Schlachter	B60K 15/04 141/86
2006/0048986 A1 *	3/2006	Bracciano	B60H 1/28 180/69.2
2006/0201727 A1 *	9/2006	Chan	B62D 25/105 180/69.25
2017/0355400 A1 *	12/2017	Weston	B60R 13/005

* cited by examiner

Primary Examiner — Susan Bennett Hattan

Assistant Examiner — Suzanne E Tisdell

(74) *Attorney, Agent, or Firm* — Ralph E. Smith

(57) **CLAIM**

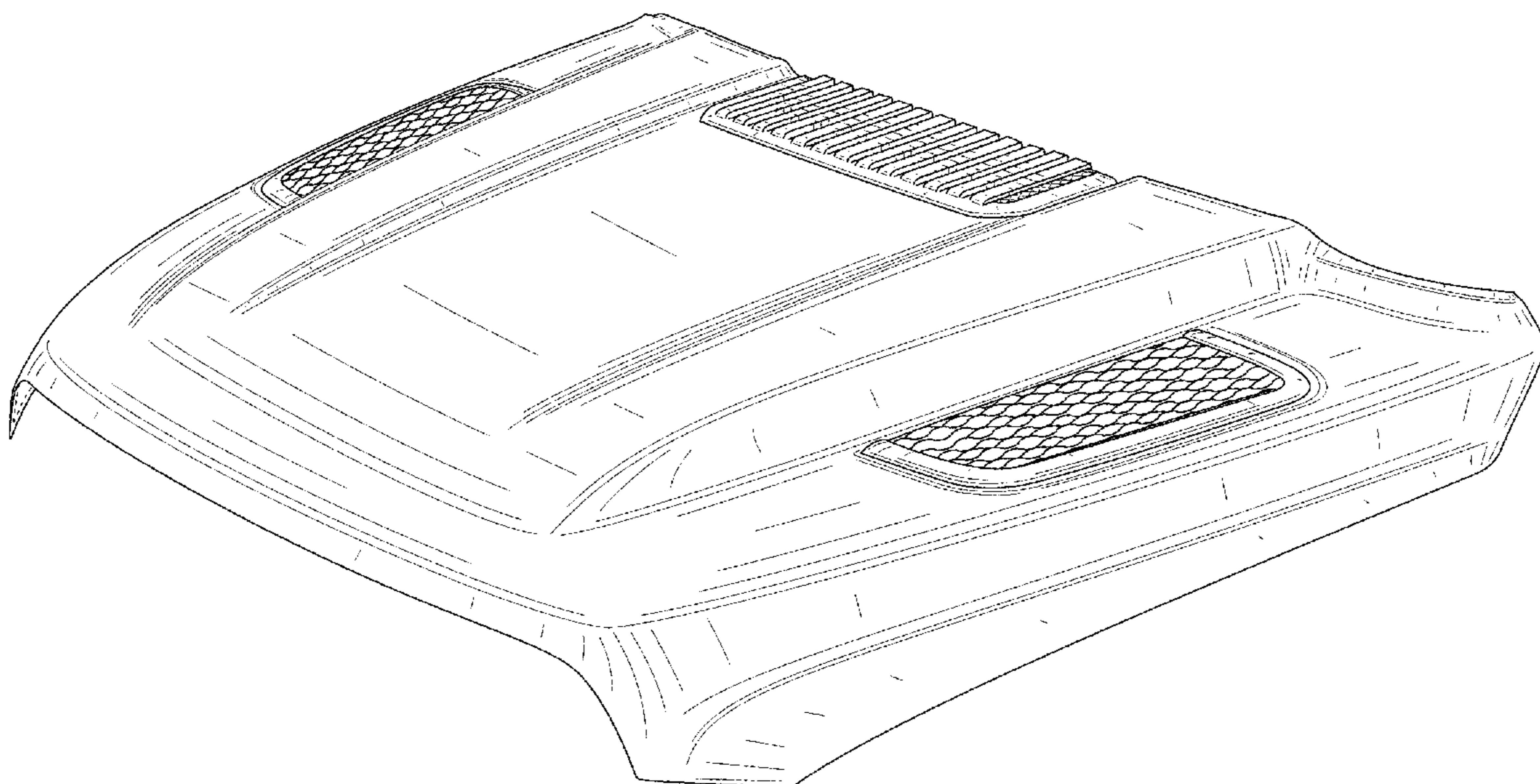
The ornamental design for a vehicle hood, as shown and described.

DESCRIPTION

FIG. 1 is a front perspective view of a vehicle hood showing our new design;
 FIG. 2 is a left side view thereof;
 FIG. 3 is a right side view thereof;
 FIG. 4 is a front view thereof;
 FIG. 5 is a rear view thereof;
 FIG. 6 is a top plan view; and,
 FIG. 7 is a bottom view.

It will be understood that the broken lines shown in the drawings illustrate portions of the vehicle hood that form no part of claimed design.

1 Claim, 5 Drawing Sheets



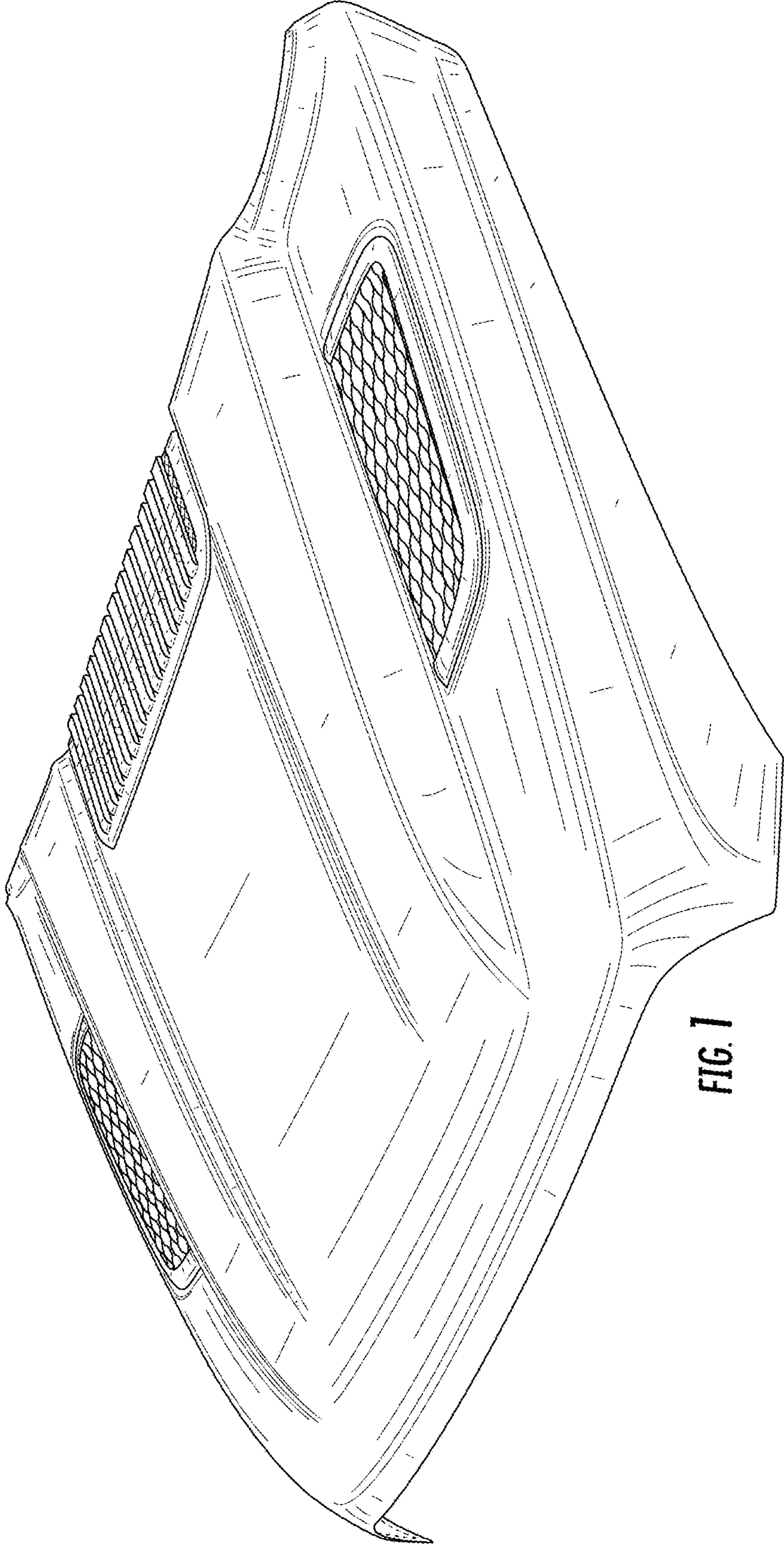


FIG. 1

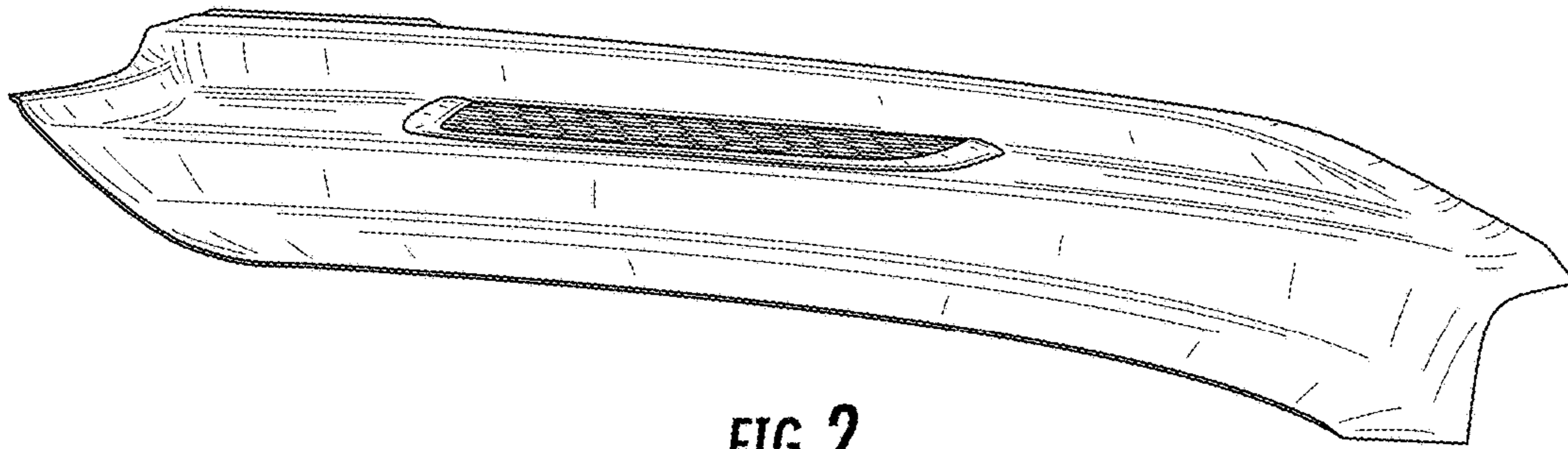


FIG. 2

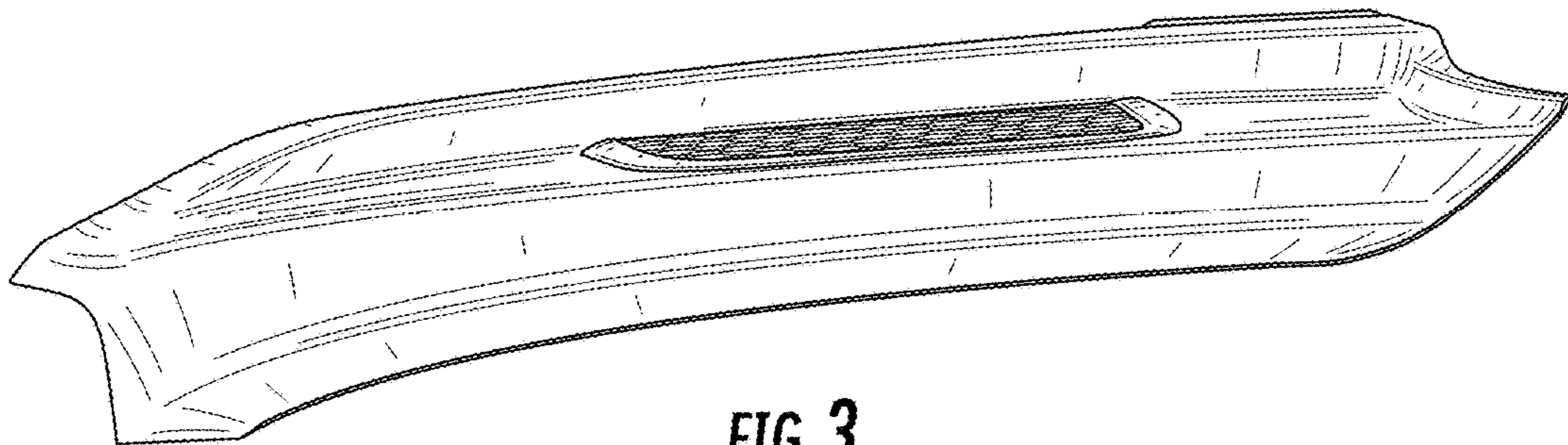


FIG. 3

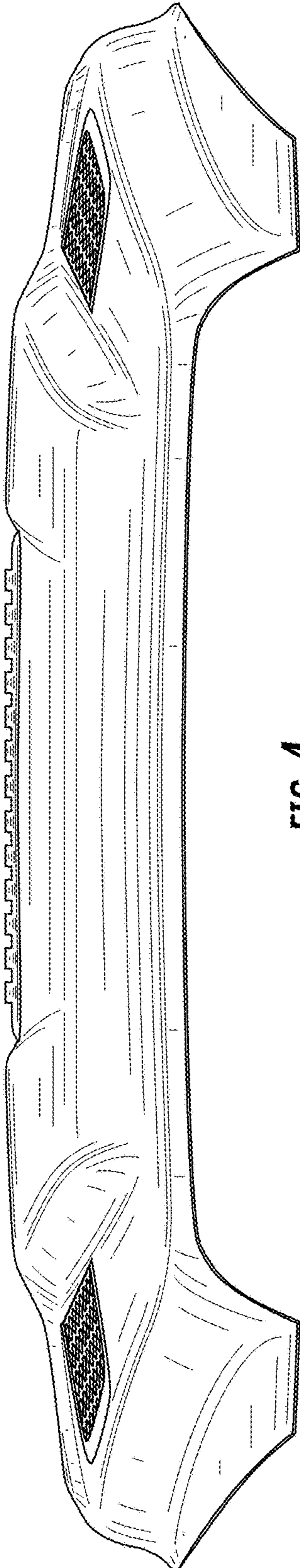


FIG. 4

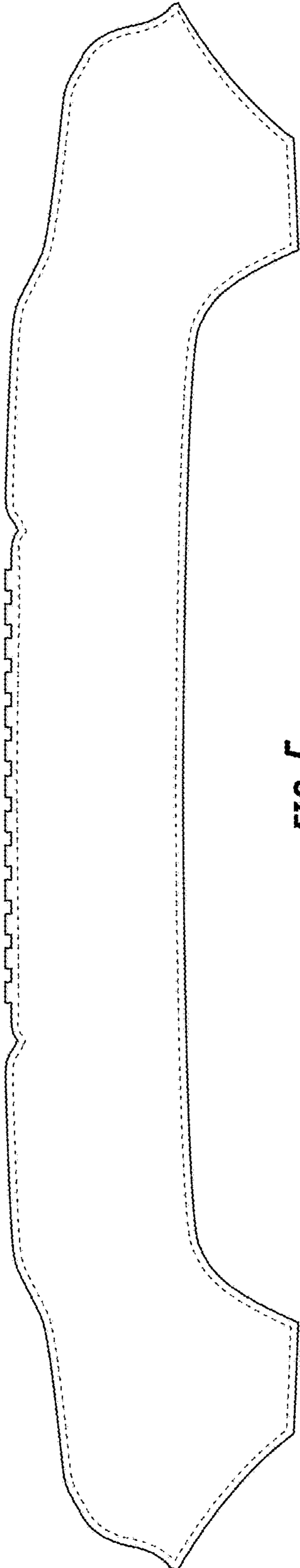


FIG. 5

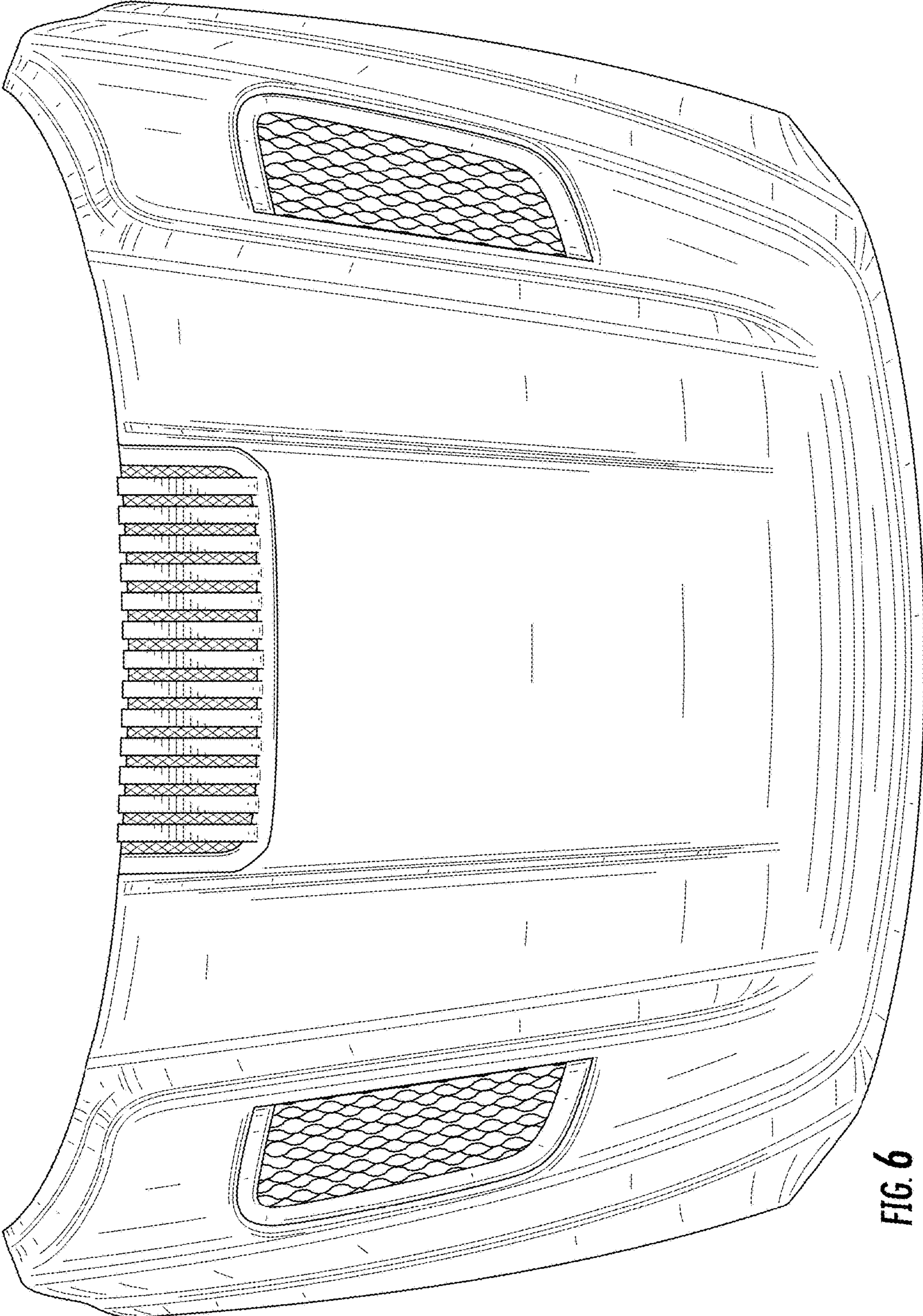


FIG. 6

