



US00D823753S

(12) **United States Design Patent** (10) **Patent No.:** **US D823,753 S**  
**Stone et al.** (45) **Date of Patent:** **\*\* Jul. 24, 2018**

(54) **VEHICLE HOOD**

(71) Applicants: **Nicolas Ren Stone**, Royal Oak, MI (US); **Nicholas Vardis**, Sylvan Lake, MI (US)

(72) Inventors: **Nicolas Ren Stone**, Royal Oak, MI (US); **Nicholas Vardis**, Sylvan Lake, MI (US)

(73) Assignee: **FCA US LLC**, Auburn Hills, MI (US)

(\*\*) Term: **15 Years**

(21) Appl. No.: **29/594,153**

(22) Filed: **Feb. 16, 2017**

(51) **LOC (11) Cl.** ..... **12-08**

(52) **U.S. Cl.**  
USPC ..... **D12/173**

(58) **Field of Classification Search**  
USPC ..... D12/92, 163, 169, 173  
CPC . B60J 7/00; B60R 21/34; B62D 25/08; B62D 25/10; B60K 28/10; B60Q 1/00  
See application file for complete search history.

(56) **References Cited**

**U.S. PATENT DOCUMENTS**

D473,829 S *	4/2003	Hoyle, Jr. ....	D12/173
D528,482 S *	9/2006	Hamburger ....	D12/181
D561,665 S *	2/2008	Thomas ....	D12/173
D597,002 S *	7/2009	Jamieson ....	D12/173
D619,062 S *	7/2010	Improta ....	D12/173
D623,100 S *	9/2010	Bimbi ....	D12/173
D703,119 S *	4/2014	Platto ....	D12/173
D735,625 S *	8/2015	Mays ....	D12/173
D739,317 S *	9/2015	McMahan ....	D12/173
D740,187 S *	10/2015	Jamieson ....	D12/173
D762,148 S *	7/2016	Platto ....	D12/173

D772,768 S *	11/2016	Chiang ....	D12/173
D777,220 S *	1/2017	Powell ....	D15/31
2004/0256024 A1 *	12/2004	Schlachter ....	B60K 15/04 141/86
2006/0048986 A1 *	3/2006	Bracciano ....	B60H 1/28 180/69.2
2006/0201727 A1 *	9/2006	Chan ....	B62D 25/105 180/69.25
2017/0355400 A1 *	12/2017	Weston ....	B60R 13/005

**OTHER PUBLICATIONS**

2016 Dodge Challenger Scat Pack Shaker.

\* cited by examiner

*Primary Examiner* — Susan Bennett Hattan

*Assistant Examiner* — Suzanne E Tisdell

(74) *Attorney, Agent, or Firm* — Ralph E. Smith

(57) **CLAIM**

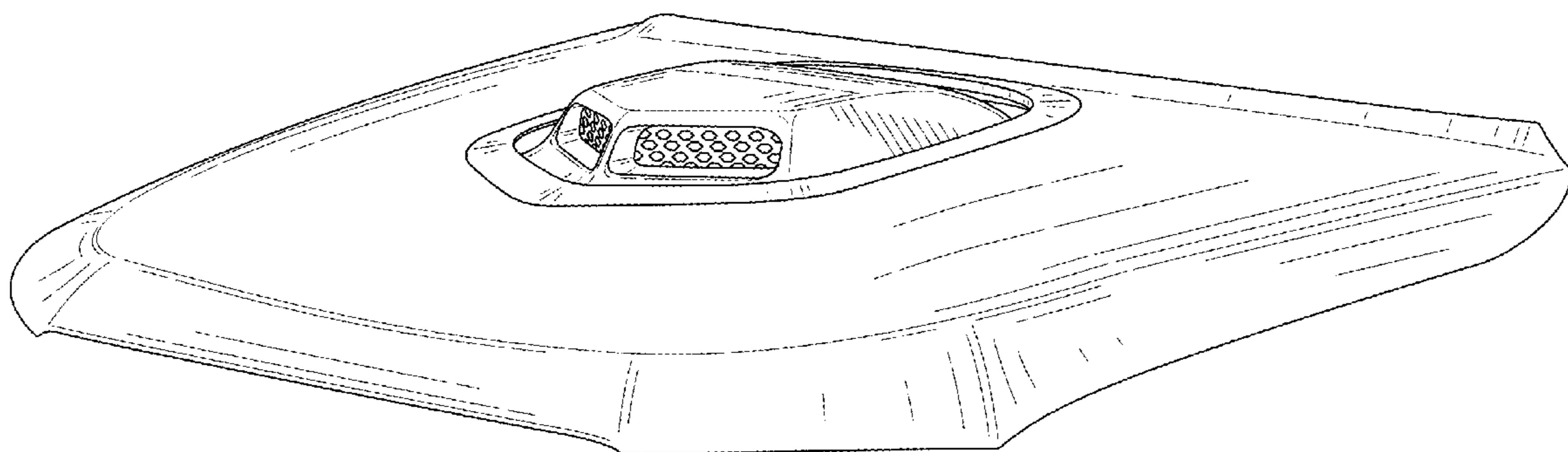
The ornamental design for a vehicle hood, as shown and described.

**DESCRIPTION**

FIG. 1 is a front perspective view of a hood showing our new design;  
FIG. 2 is a rear perspective view thereof;  
FIG. 3 is a front view thereof;  
FIG. 4 is a rear view thereof;  
FIG. 5 is a right side view thereof;  
FIG. 6 is a left side view thereof;  
FIG. 7 is a top plan view; and,  
FIG. 8 is a bottom view.

It will be understood that the broken lines shown in the drawings illustrate portions of the vehicle hood that form no part of claimed design.

**1 Claim, 7 Drawing Sheets**



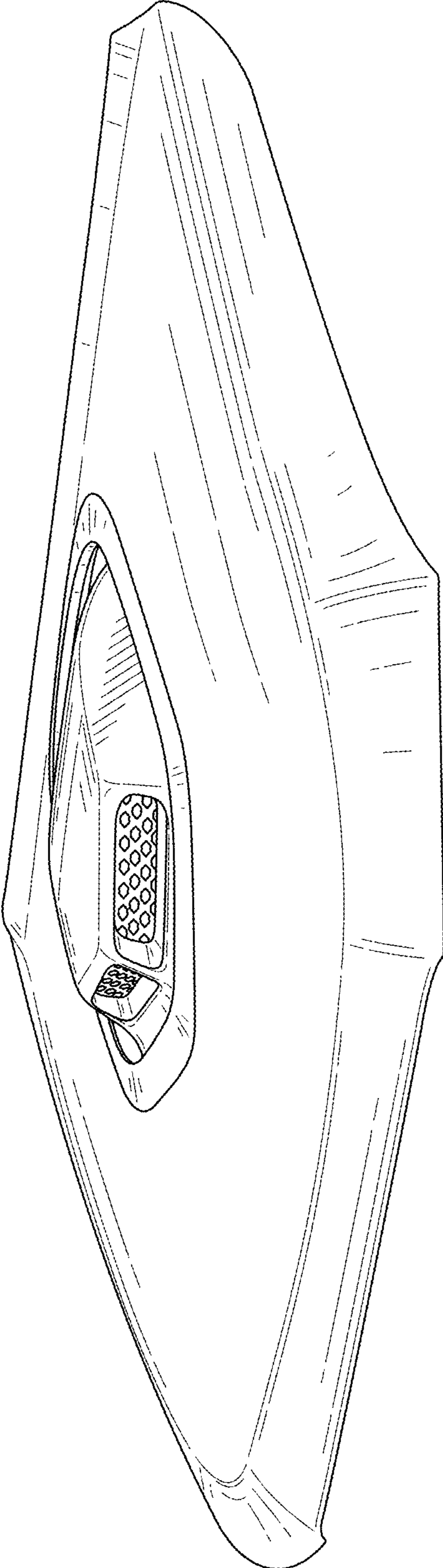


FIG. 1

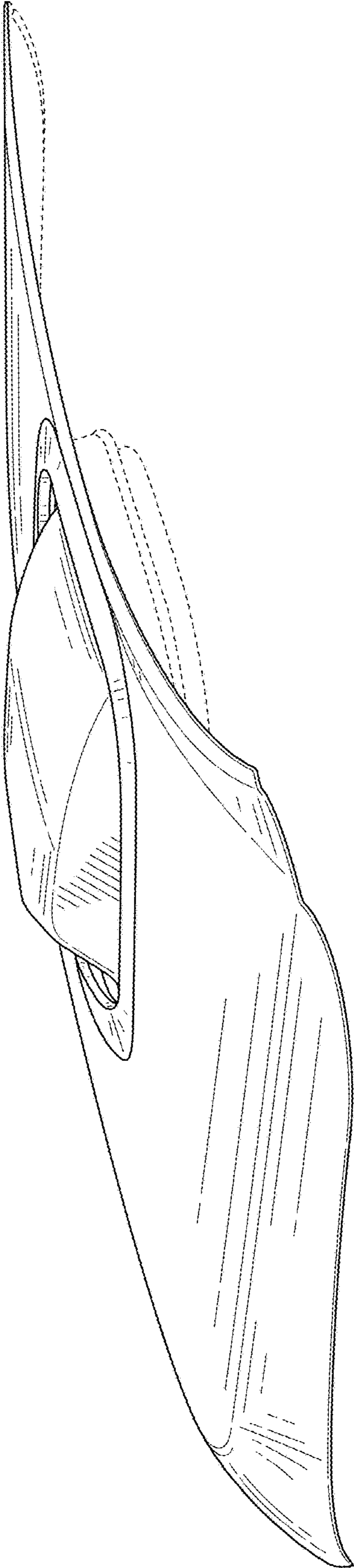


FIG. 2

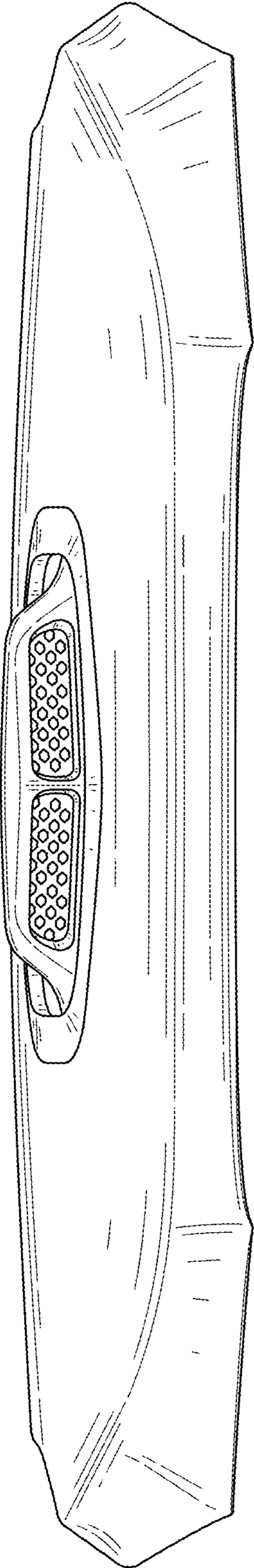


FIG. 3

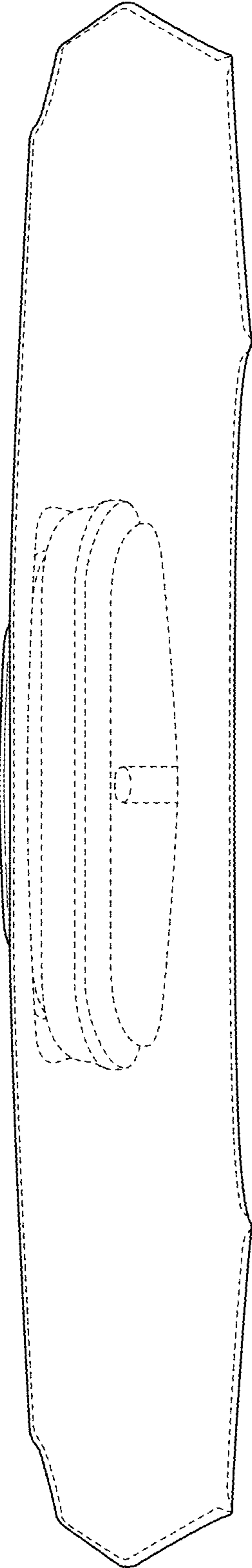


FIG. 4

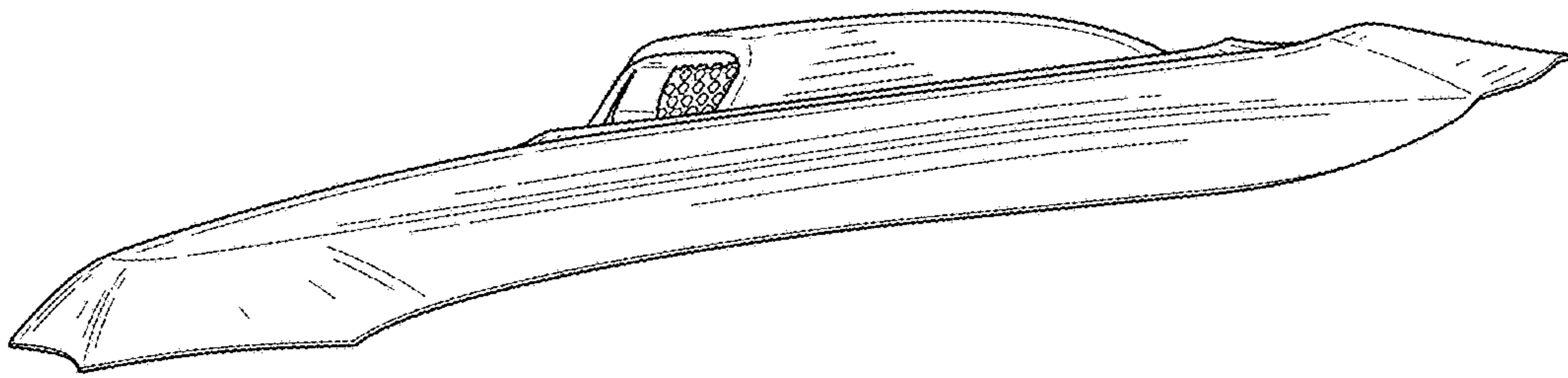


FIG. 5

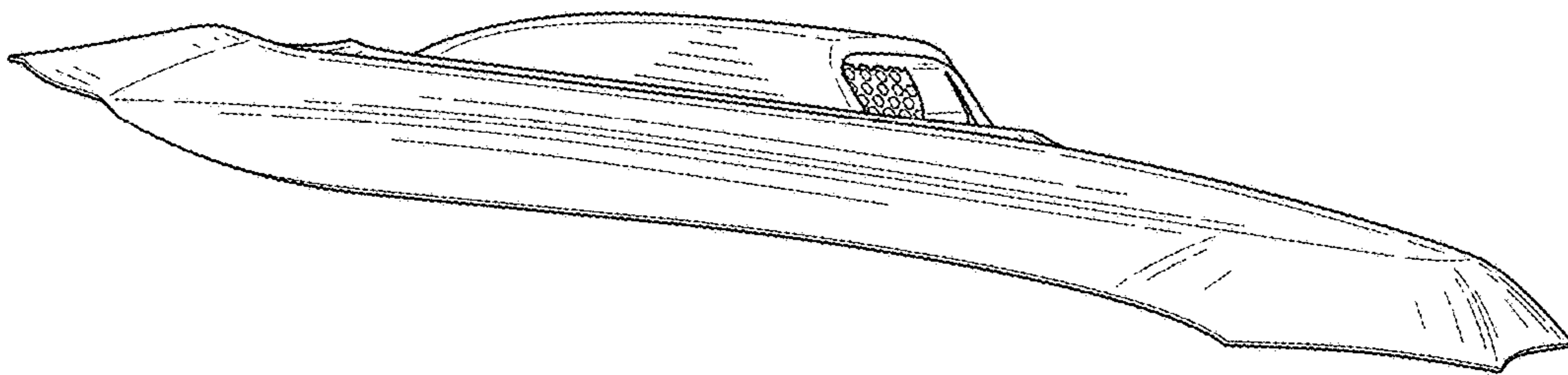


FIG. 6

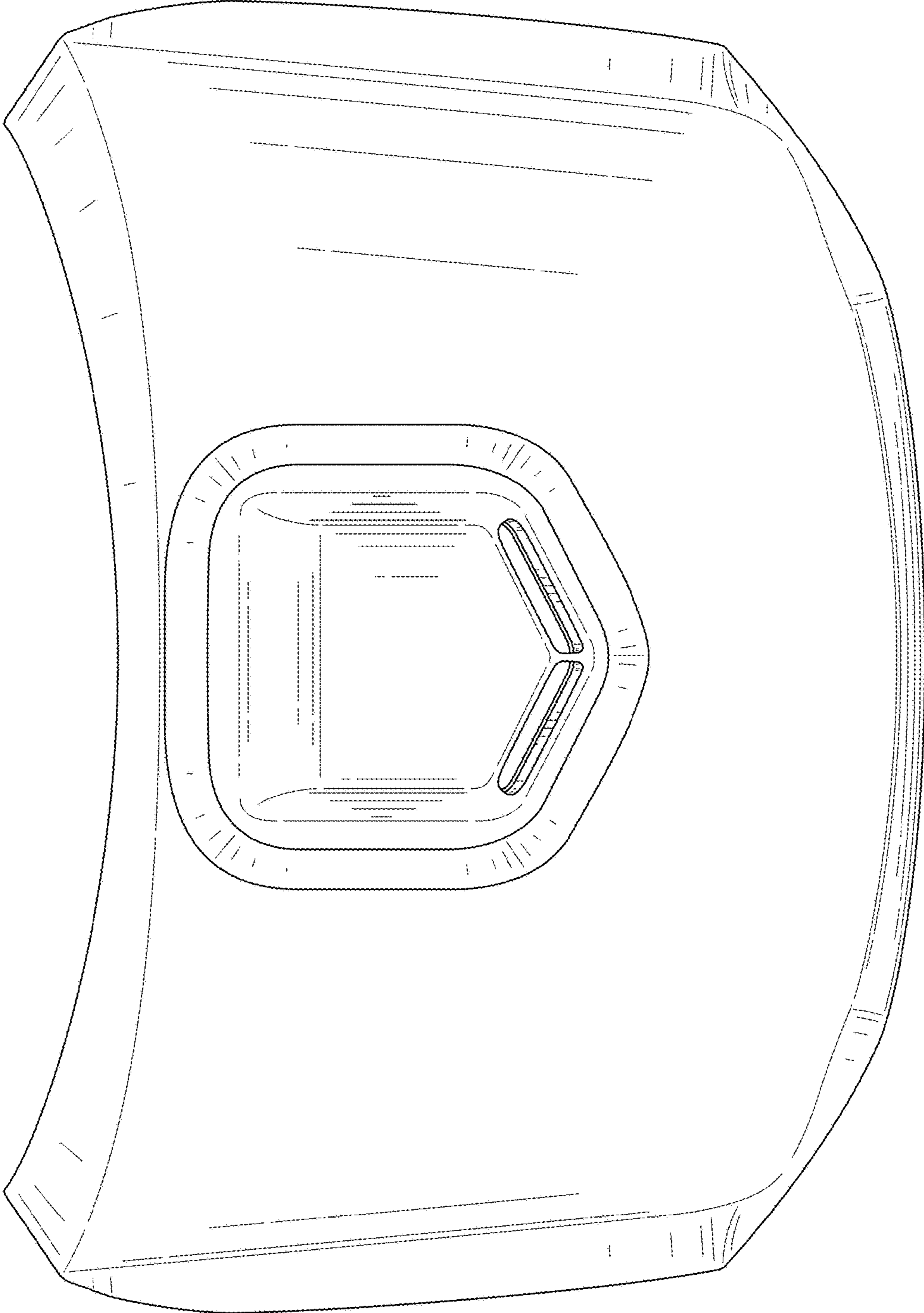


FIG. 7

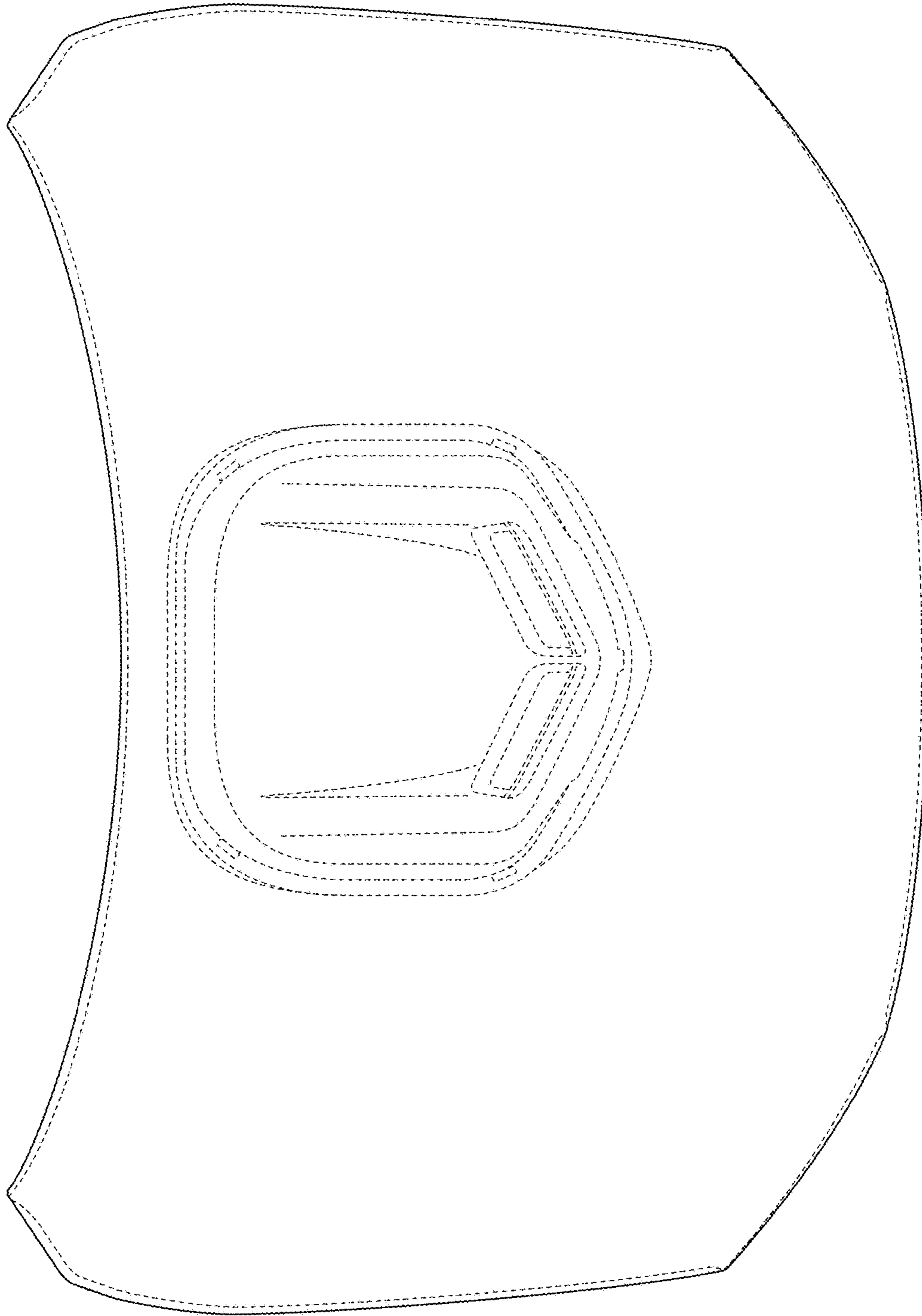


FIG. 8