



US00D823752S

(12) **United States Design Patent** (10) **Patent No.:** **US D823,752 S**
Guo (45) **Date of Patent:** **** Jul. 24, 2018**

(54) **BULL BAR FOR ATTACHMENT TO LAND VEHICLE**

(71) Applicant: **Fu Guo**, Vancouver (CA)

(72) Inventor: **Fu Guo**, Vancouver (CA)

(**) Term: **15 Years**

(21) Appl. No.: **29/603,740**

(22) Filed: **May 11, 2017**

(51) **LOC (11) Cl.** **12-16**

(52) **U.S. Cl.**
USPC **D12/172**

(58) **Field of Classification Search**
USPC D12/86, 90, 91, 92, 163, 169, 171, 196,
D12/216

CPC B60R 19/02; B60R 19/04; B62D 25/00;
B62D 25/06; B62D 25/08; B62D 35/00
See application file for complete search history.

(56) **References Cited**

U.S. PATENT DOCUMENTS

4,469,360	A *	9/1984	Drury	B60R 19/52
					293/102
D726,605	S *	4/2015	Schroeder	D12/171
D743,856	S *	11/2015	Ma	D12/171
D777,618	S *	1/2017	Setina	D12/171
D794,519	S *	8/2017	McMath	D12/169
D801,892	S *	11/2017	Drever	D12/171
9,884,601	B1 *	2/2018	Candido	B60R 19/34
2009/0302623	A1 *	12/2009	Finney	B60R 19/52
					293/115
2014/0339837	A1 *	11/2014	Hermann, III	B66D 1/00
					293/115
2017/0088076	A1 *	3/2017	Fujimoto	B60R 19/44
2017/0349227	A1 *	12/2017	Spindler	B62D 65/10

OTHER PUBLICATIONS

“Silverado/ Sierra LUND Bull Bar.” Published Nov. 27, 2017. Youtube. https://www.youtube.com/watch?v=8yWfLf_z6Bg.
“Paramount Black LED Bull Bar.” CarID.com. https://www.carid.com/paramount-automotive/black-led-bull-bar-w-o-skid-plate.html?gclid=EAlalQobChM119rk_oqu2gIVgzyBCh2hIQDGEAQYByABEgJ70PD_BwE.
“NXb UltraBlack Bull Bar.” First comment Dec. 26, 2017. deezee.com. <https://www.deezee.com/product/nxb-ultrablack-bull-bar/>.

* cited by examiner

Primary Examiner — Susan Bennett Hattan

Assistant Examiner — Suzanne E Tisdell

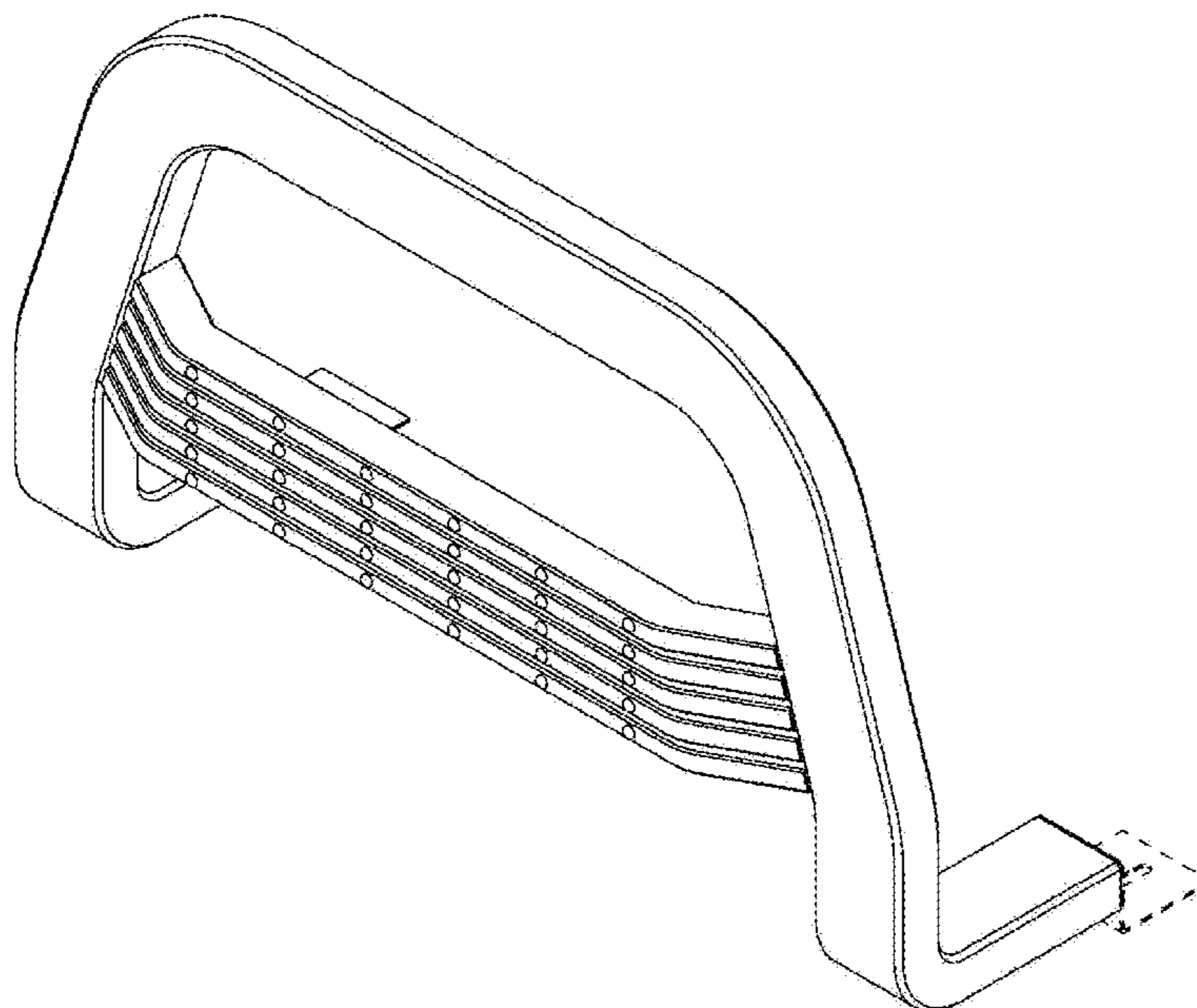
(57) **CLAIM**

The ornamental design for a bull bar for attachment to land vehicle, as shown and described.

DESCRIPTION

FIG. 1 is a front perspective view of the bull bar showing my new design;
FIG. 2 is a rear perspective view of the bull bar;
FIG. 3 is a front view of the bull bar;
FIG. 4 is a rear view of the bull bar;
FIG. 5 is a right side view of the bull bar;
FIG. 6 is a left side view of the bull bar;
FIG. 7 is a bottom view of the bull bar; and,
FIG. 8 is a top view of the bull bar.
The portions of the bull bar shown in broken lines form no part of the claimed design.

1 Claim, 8 Drawing Sheets



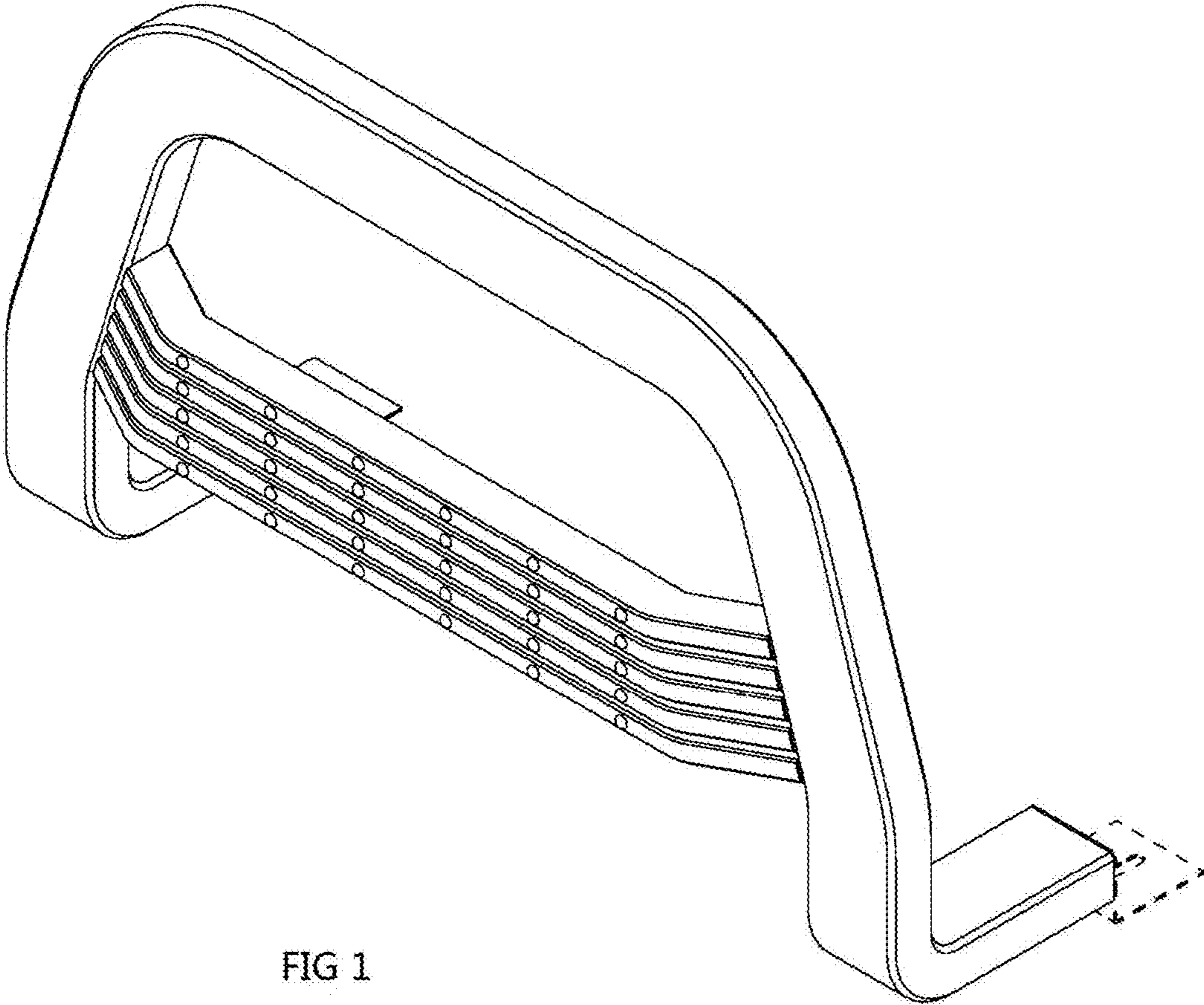


FIG 1

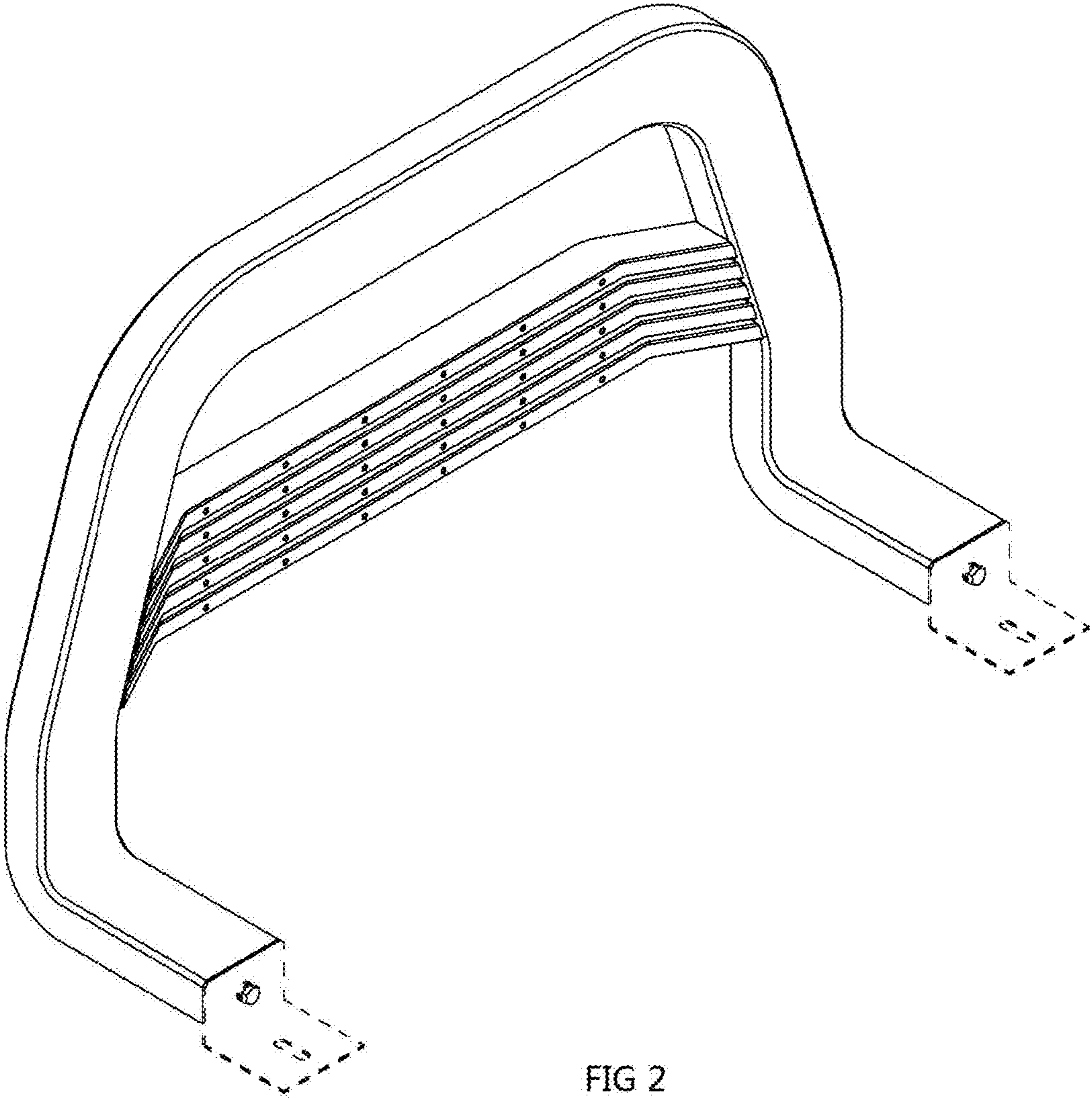


FIG 2

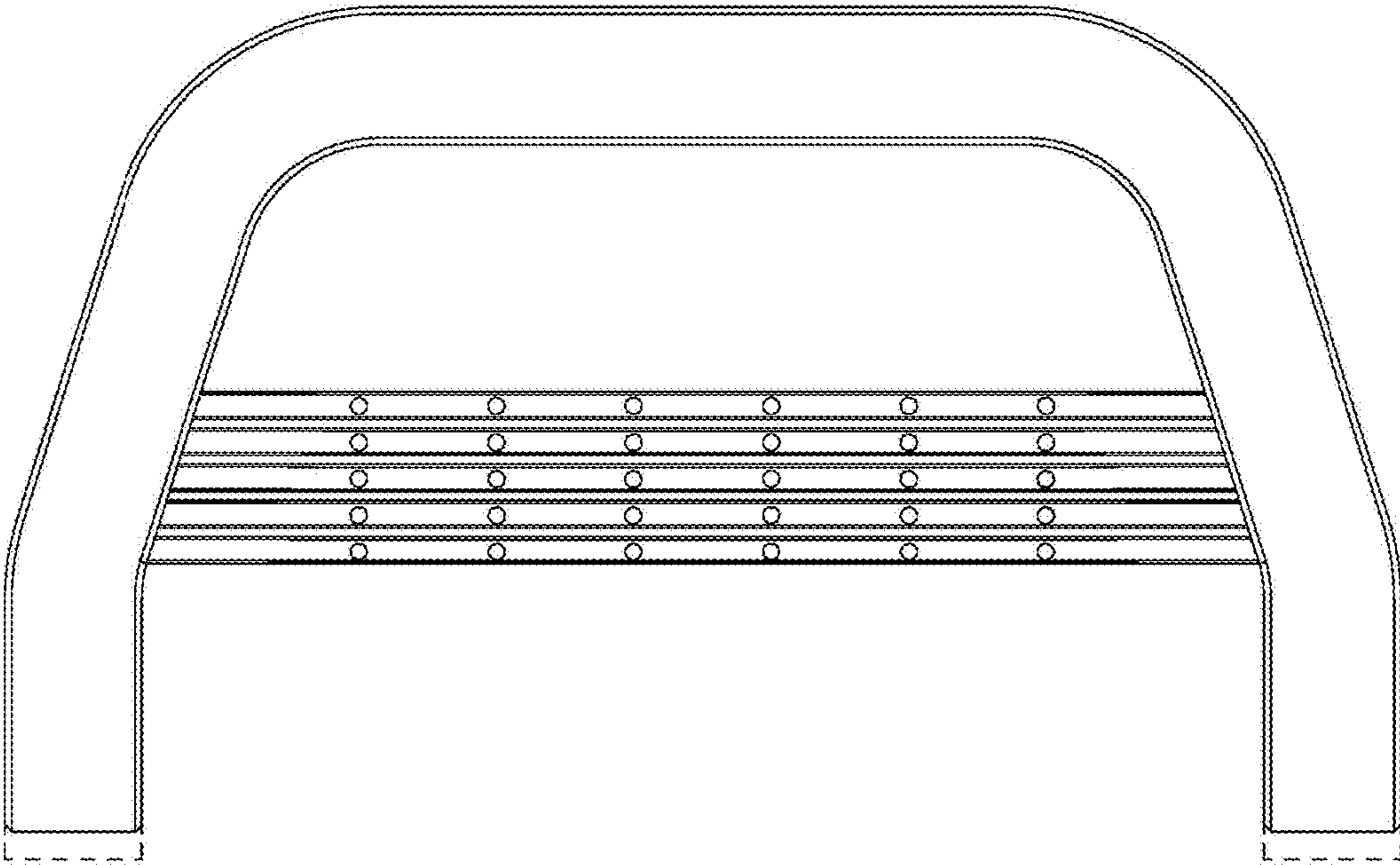


FIG 3

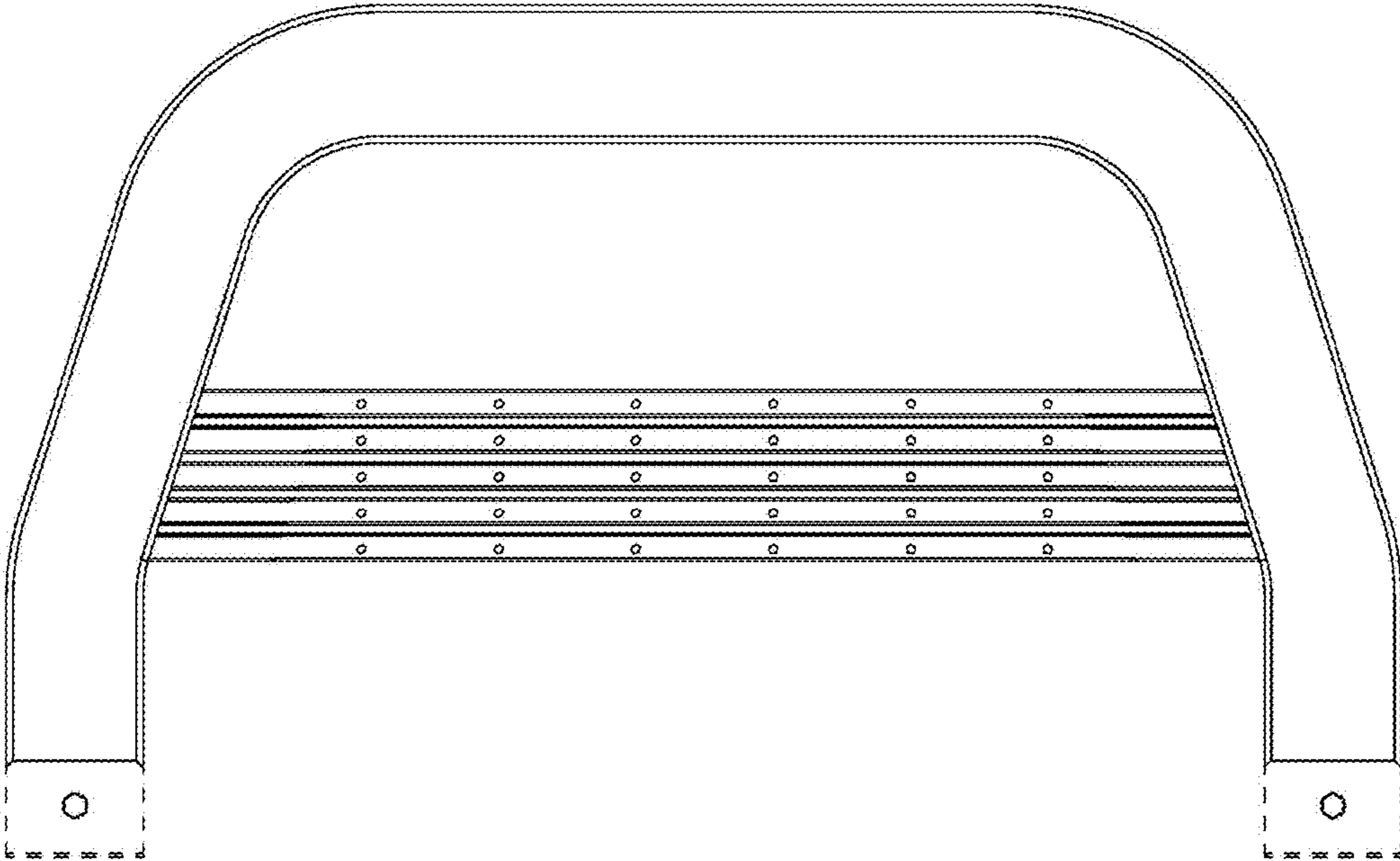


FIG 4

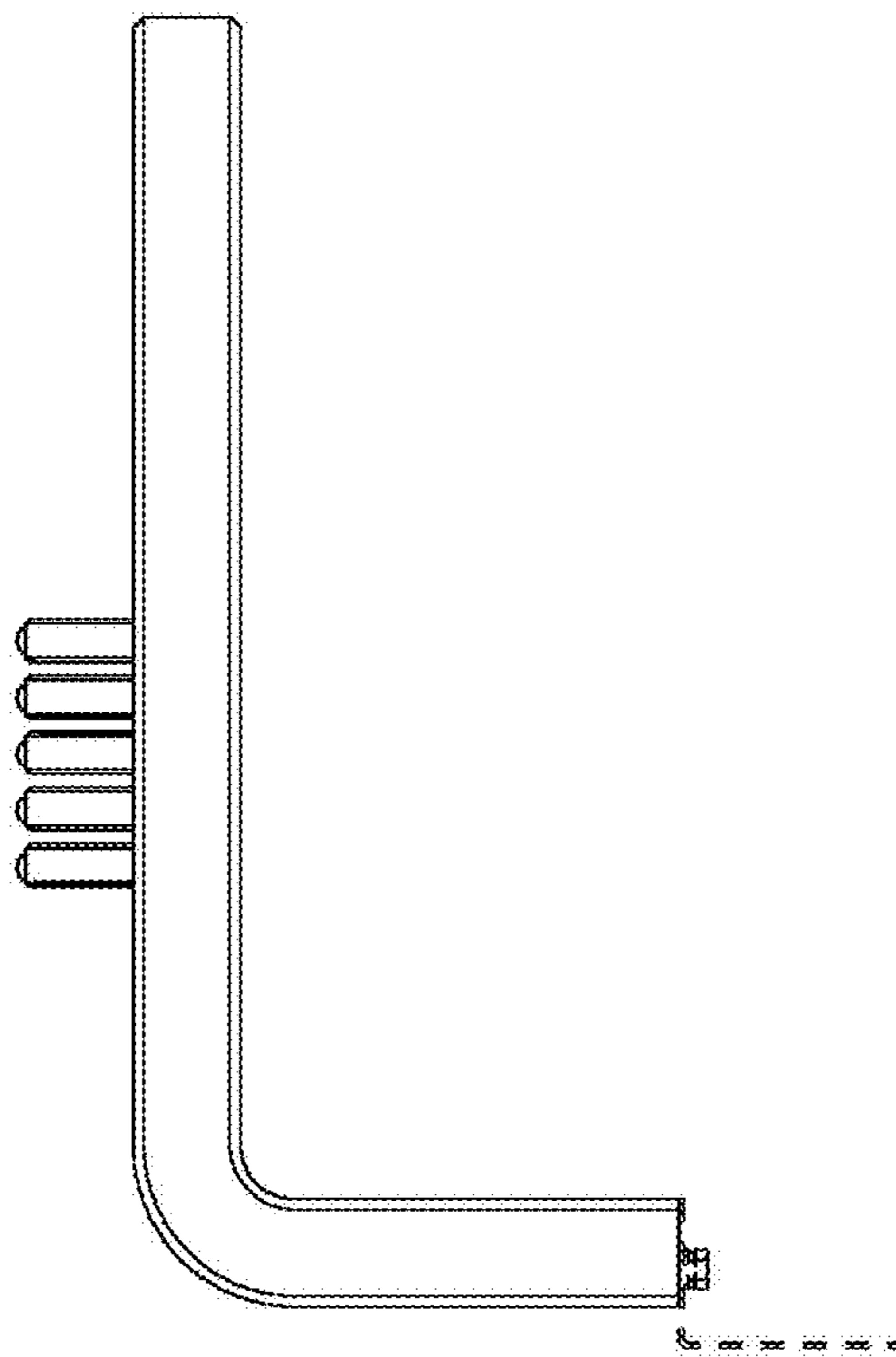


FIG 5

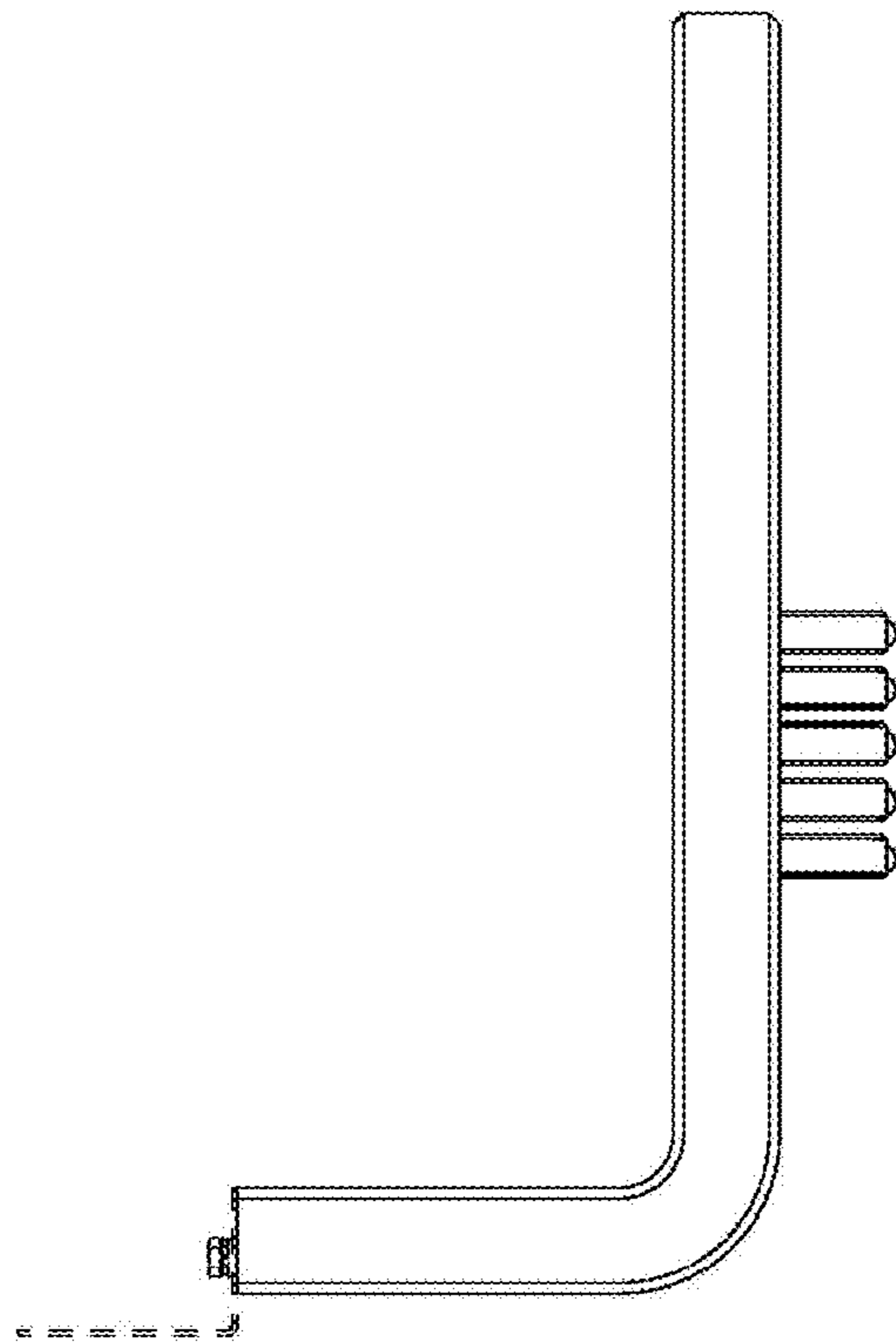


FIG 6

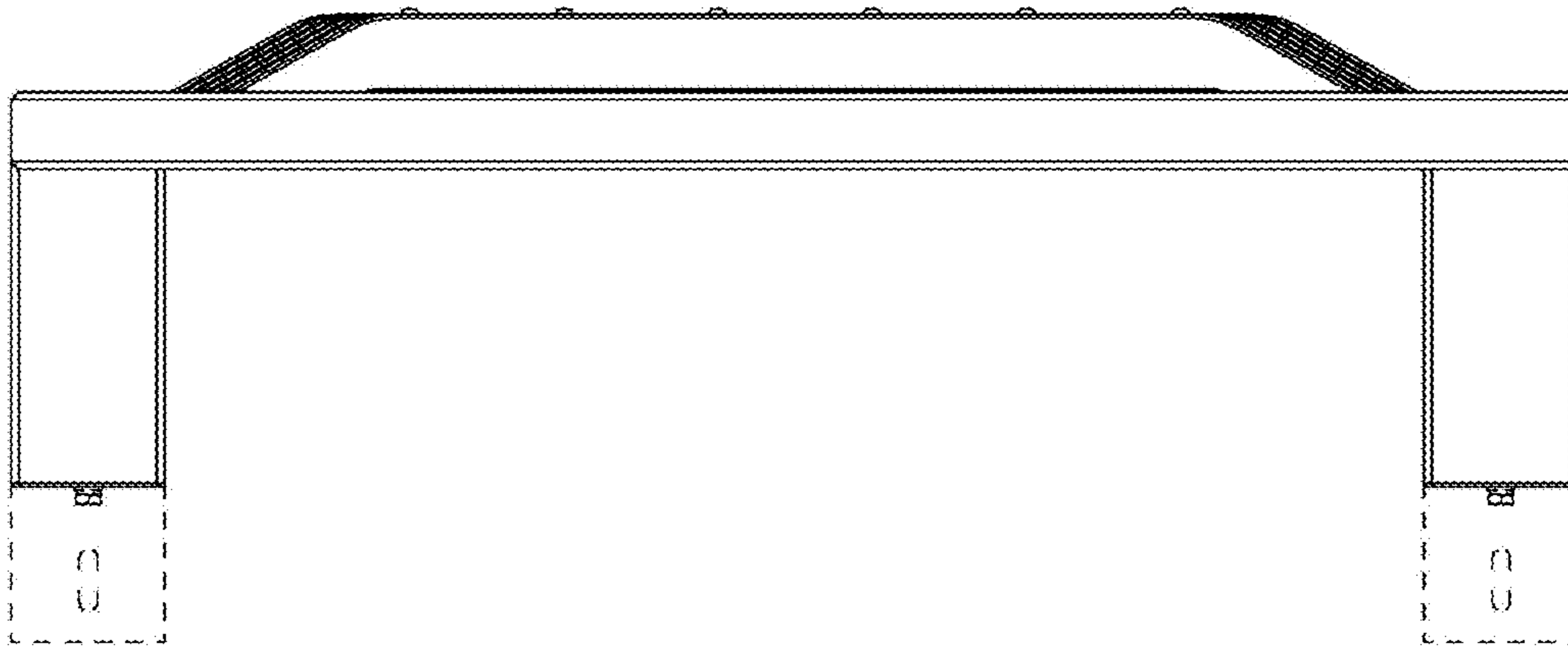


FIG 7

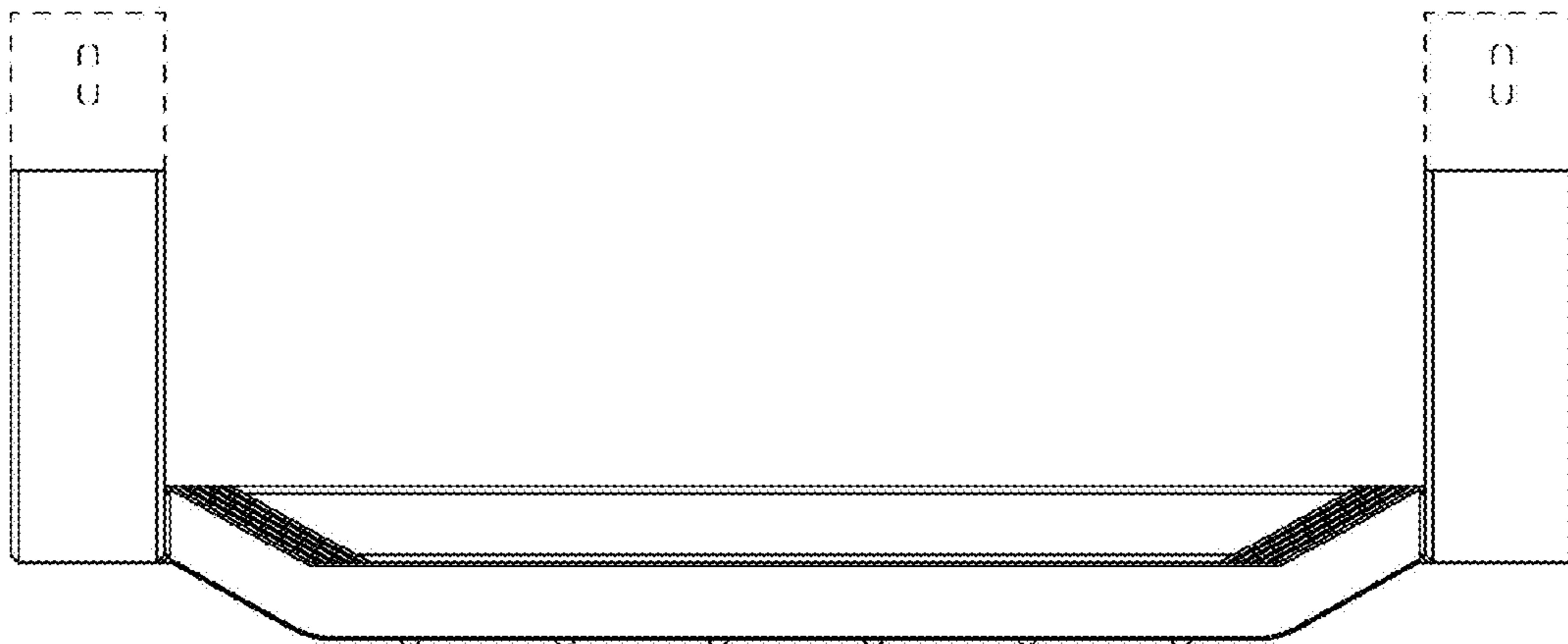


FIG 8