



US00D823751S

(12) **United States Design Patent**  
**Wu**

(10) **Patent No.:** **US D823,751 S**  
(45) **Date of Patent:** **\*\* Jul. 24, 2018**

- (54) **AUTOMOBILE BUMPER BULL BAR**
- (71) Applicant: **Yim Man Wu**, Elmhurst, NY (US)
- (72) Inventor: **Yim Man Wu**, Elmhurst, NY (US)
- (\*\*) Term: **15 Years**
- (21) Appl. No.: **29/574,761**
- (22) Filed: **Aug. 18, 2016**
- (51) **LOC (11) Cl.** ..... **12-16**
- (52) **U.S. Cl.**  
USPC ..... **D12/171**
- (58) **Field of Classification Search**  
USPC ..... D12/90-92, 98, 163, 169, 171, 172  
CPC ..... B60R 19/52; B60R 2019/522  
See application file for complete search history.

- 4,168,855 A \* 9/1979 Koch ..... B60R 19/52  
293/115
- D275,475 S \* 9/1984 Turkleson ..... D12/169
- D395,416 S \* 6/1998 Shklyaver ..... D12/169
- D454,817 S \* 3/2002 McGuiness ..... D12/171
- 6,540,277 B2 \* 4/2003 McCoy ..... B60D 1/485  
280/495
- D497,850 S \* 11/2004 Dooley ..... D12/169
- D743,856 S \* 11/2015 Ma ..... D12/171
- D777,618 S \* 1/2017 Setina ..... D12/171

\* cited by examiner

*Primary Examiner* — Darlington Ly

(57) **CLAIM**

I claim the ornamental design for an automobile bumper bull bar, as shown and described.

**DESCRIPTION**

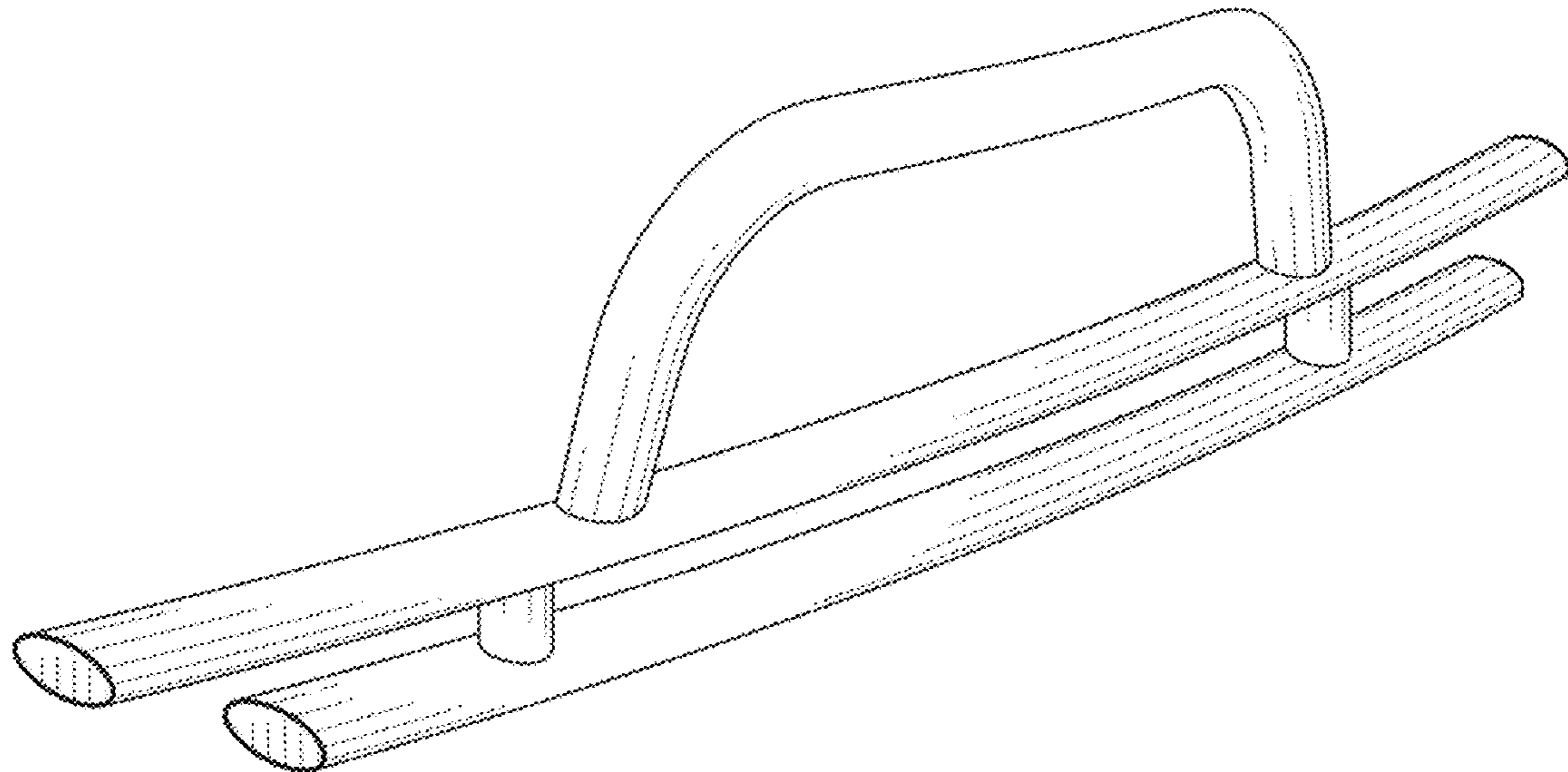
FIG. 1 is a front perspective view of an automobile bumper bull bar showing my new design;  
FIG. 2 is a front elevation view thereof;  
FIG. 3 is a side elevation view thereof; and,  
FIG. 4 is a top plan view thereof.

**1 Claim, 3 Drawing Sheets**

(56) **References Cited**

U.S. PATENT DOCUMENTS

- 2,142,069 A \* 12/1938 Colley ..... B60R 19/52  
293/115
- D117,943 S \* 12/1939 Bahr ..... D12/171



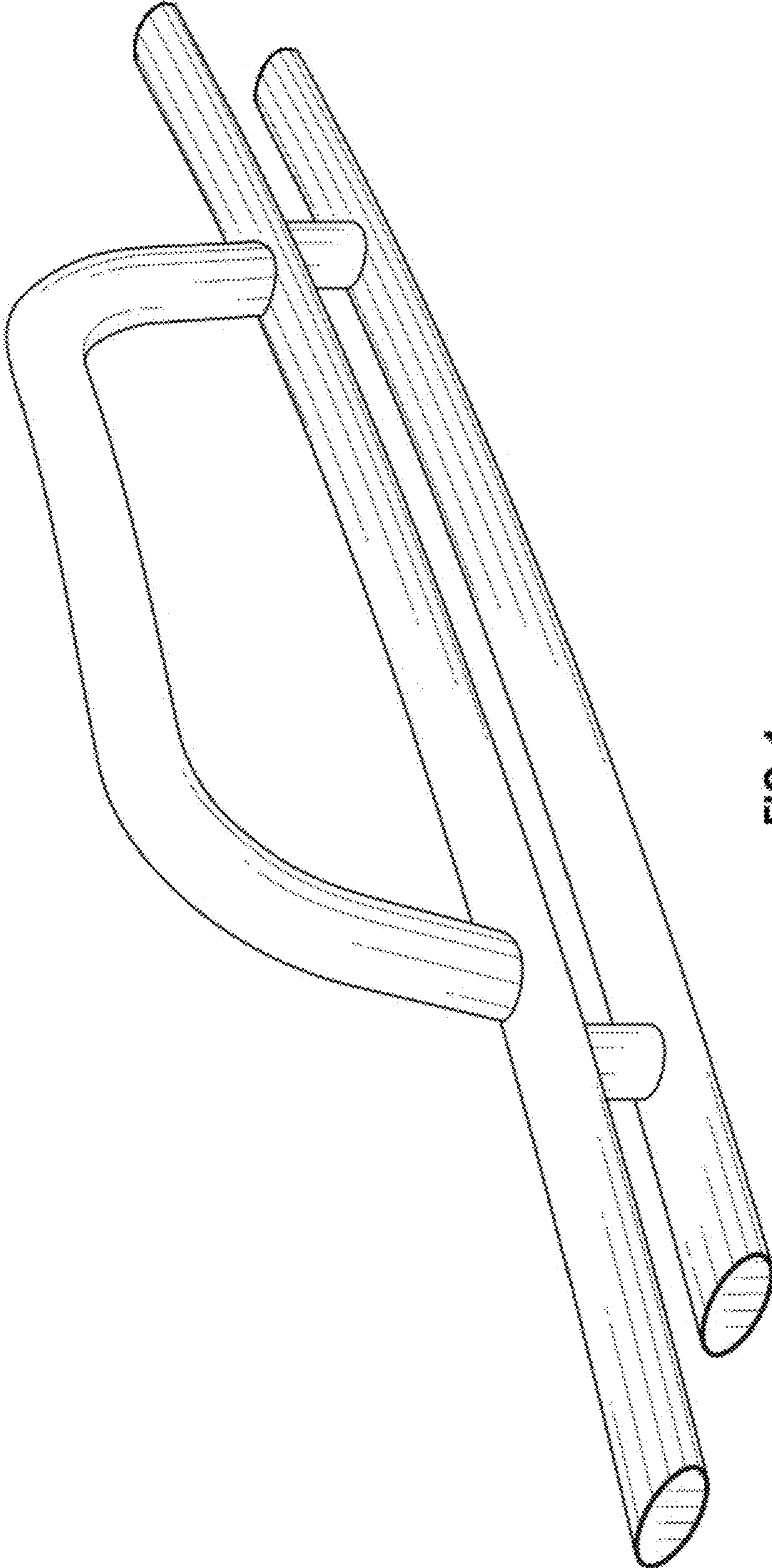


FIG. 1

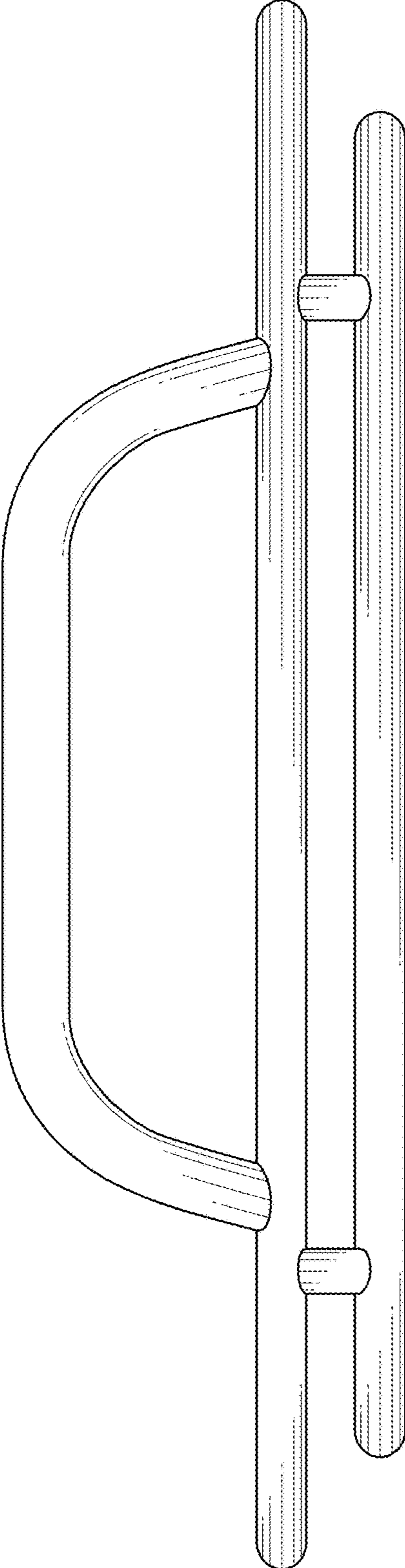


FIG. 2

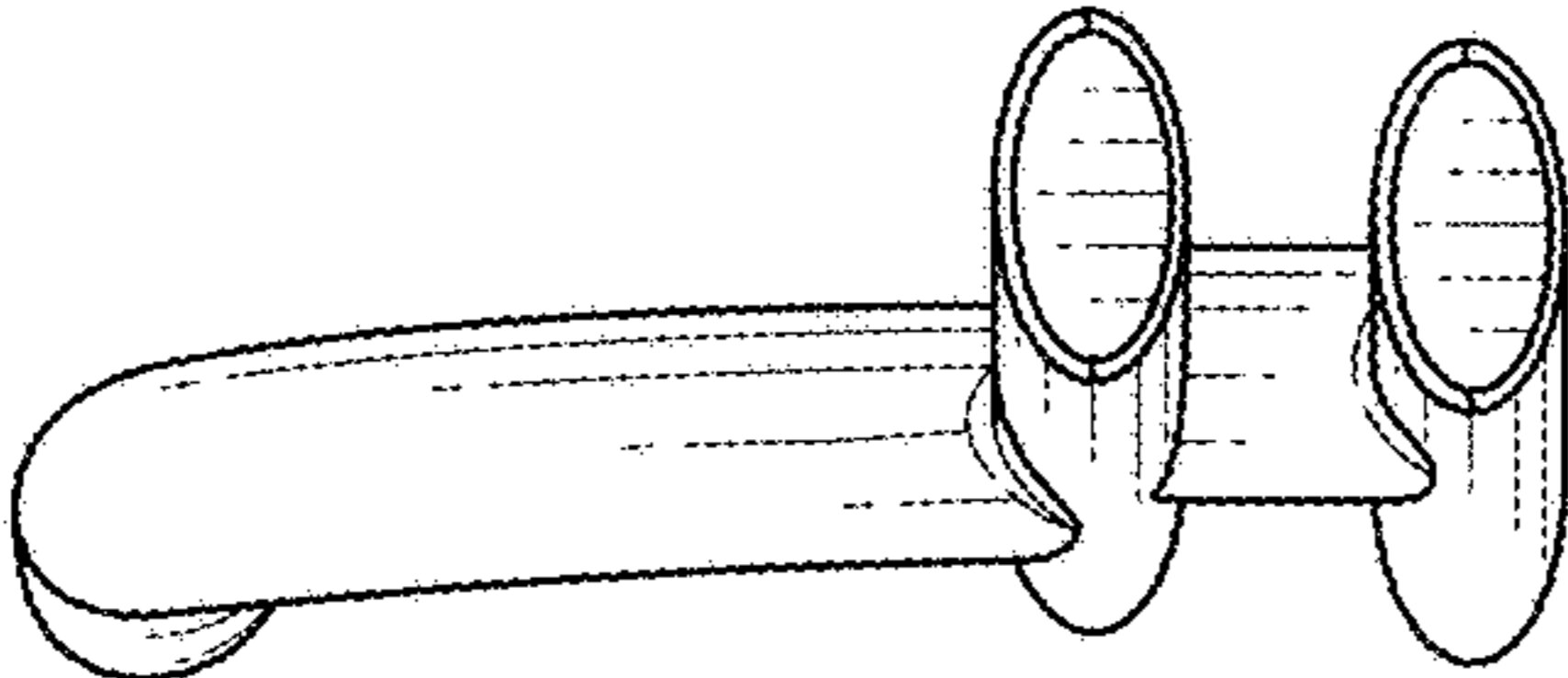


FIG. 3

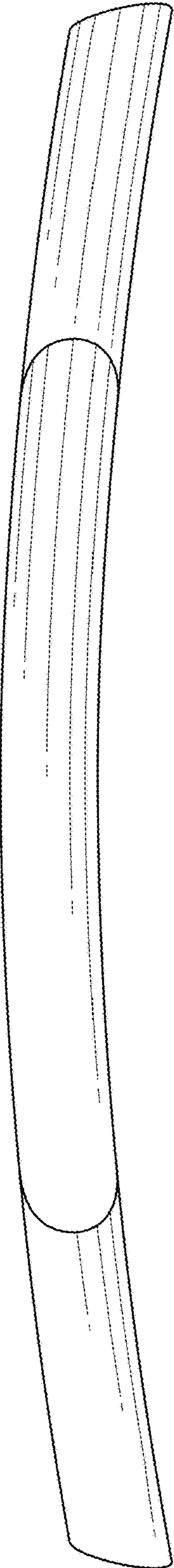


FIG. 4