



US00D823750S

(12) **United States Design Patent** (10) **Patent No.:** **US D823,750 S**
Schulzetenberg et al. (45) **Date of Patent:** **** Jul. 24, 2018**

(54) **VEHICLE GUARD**
(71) Applicant: **CURT Manufacturing, LLC**, Eau Claire, WI (US)
(72) Inventors: **John M. Schulzetenberg**, Sioux Falls, SD (US); **Gregory J. Grote**, Brandon, SD (US)
(73) Assignee: **Curt Manufacturing, LLC**, Eau Claire, WI (US)
(**) Term: **15 Years**

D476,606 S * 7/2003 Hamm D12/169
D483,708 S * 12/2003 Roehmer D12/171
D485,219 S * 1/2004 Hamm D12/169
D523,383 S * 6/2006 Fox D12/171
D528,481 S * 9/2006 Taveras D12/171
D551,138 S * 9/2007 Storer D12/171
D557,179 S * 12/2007 Manalac D12/114
D572,180 S * 7/2008 Storer D12/171
D577,319 S * 9/2008 Storer D12/171
D606,913 S * 12/2009 Robertson D12/171
D614,095 S * 4/2010 Fretz D12/171
D640,618 S * 6/2011 Lorenzo D12/171
D689,417 S * 9/2013 Shelters D12/171
D743,856 S * 11/2015 Ma D12/171
D755,094 S * 5/2016 Lanini D12/171

(21) Appl. No.: **29/533,968**
(22) Filed: **Jul. 23, 2015**
(51) **LOC (11) Cl.** **12-16**
(52) **U.S. Cl.**
USPC **D12/171**
(58) **Field of Classification Search**
USPC D12/90-92, 98, 163, 169, 171, 172;
180/86.1, 86.2; 280/163, 164; 293/115,
293/142; 296/183.1
CPC B60R 19/52; B60R 2019/522
See application file for complete search history.

OTHER PUBLICATIONS

Ali Arc, Product Brochure, Winnipeg, Manitoba, Canada, 14 pages, date unknown.

(Continued)

Primary Examiner — Darlington Ly
(74) *Attorney, Agent, or Firm* — Shewchuk IP Services, LLC; Jeffrey D. Shewchuk

(56) **References Cited**

U.S. PATENT DOCUMENTS

D248,229 S * 6/1978 Baker D12/169
D257,430 S * 10/1980 Hickey D12/171
D280,398 S * 9/1985 Milton D12/171
D300,420 S * 3/1989 Trinnaman D12/171
D307,256 S * 4/1990 Holland D12/171
D333,457 S * 2/1993 La Foe D12/171
D384,624 S * 10/1997 Kincart D12/171
D388,042 S * 12/1997 Thorne D12/171
D396,678 S * 8/1998 Shklyaver D12/171
D416,219 S * 11/1999 Waagenaar D12/171
D440,530 S * 4/2001 Geisler D12/171

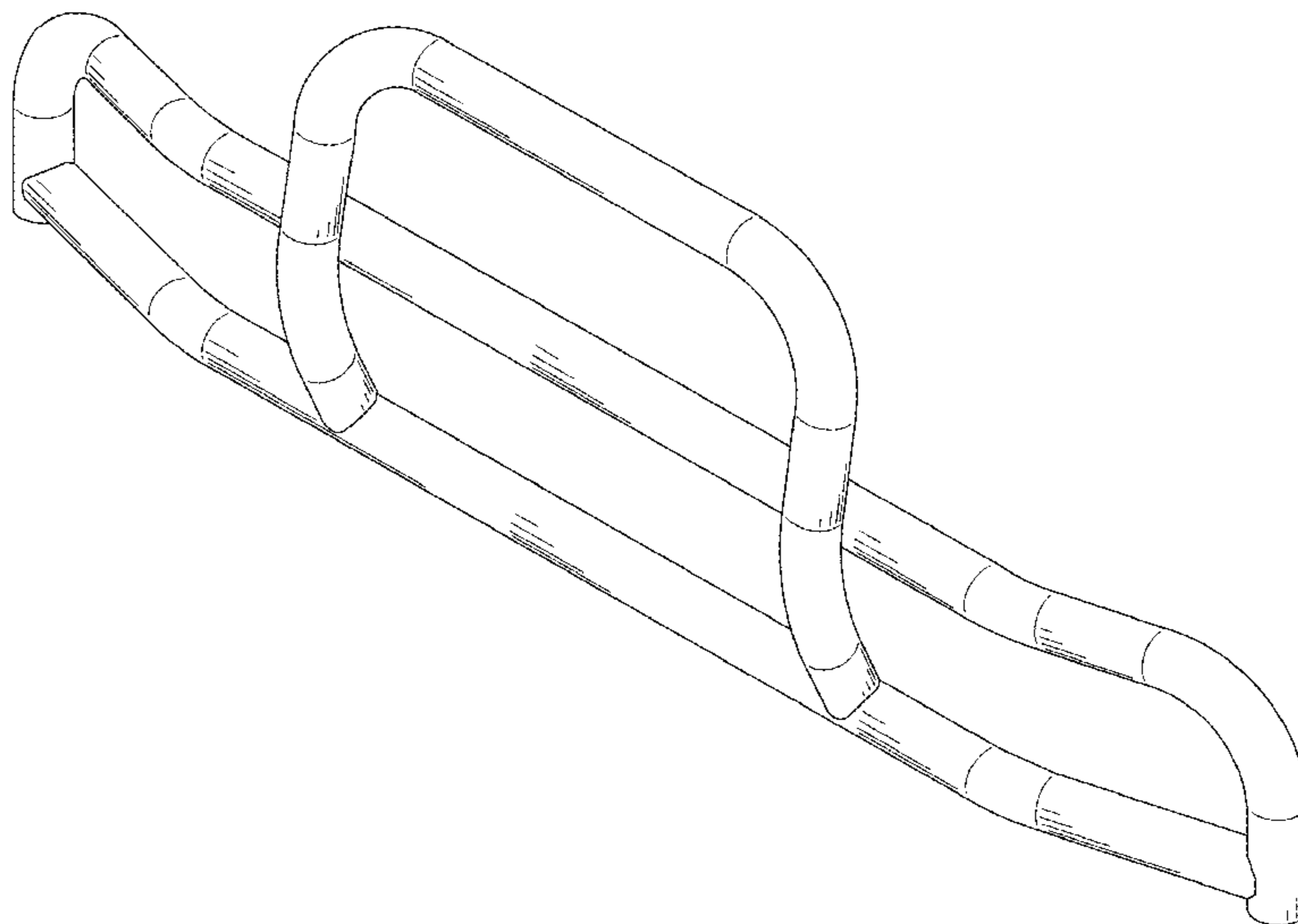
(57) **CLAIM**

The ornamental design for a vehicle guard, as shown and described.

DESCRIPTION

FIG. 1 is a front elevation view of the vehicle guard showing our new design;
FIG. 2 is a rear elevation view thereof;
FIG. 3 is a top plan view thereof;
FIG. 4 is a bottom plan view thereof;
FIG. 5 is a left side elevation view thereof;
FIG. 6 is a right side elevation view thereof; and,
FIG. 7 is a top, front, and right side perspective view thereof.

1 Claim, 7 Drawing Sheets



(56)

References Cited

OTHER PUBLICATIONS

Lite-Gard Product webpage, www.litegardllc.com/styles.htm, 3 pages, download date Jul. 23, 2015.
Lite-Gard LLC home page, www.litegardllc.com, 1 page, download date Jul. 23, 2015.
Ex-Guard Industries, Semi Truck Grill Guards, home p. (1), <http://ex-guard.com>, 3 pages, download date Jul. 23, 2015.
Ex-Guard Industries, Semi Truck Grill Guards, home p. (2), <http://ex-guard.com>, 3 pages, download date Jul. 23, 2015.
Ex-Guard Industries, XG Series, <http://ex-guard.com/products/>, 4 pages, download date Jul. 23, 2015.
Ex-Guard Industries, LT Series, <http://ex-guard.com/products/lt-300-series/>, 2 pages, download date Jul. 23, 2015.
Rigguard, Options & Accessories, www.rigguard.com/options.php, 1 page, download date Jul. 23, 2015.
Rigguard, Customized Bumper Guards, www.rigguard.com/custom.php, 1 page, download date Jul. 23, 2015.
Rigguard, 2 Bar Bumper Guards, www.rigguard.com/2bar.php, 1 page, download date Jul. 23, 2015.
Rigguard, 2x4 Bumper Guards, www.rigguard.com/2x4.php, 1 page, download date Jul. 23, 2015.
Rigguard, 2x3 Bumper Guards, www.rigguard.com/2x3.php, 1 page, download date Jul. 23, 2015.
Rigguard, Full Bumper Guards, www.rigguard.com/full.php, 2 pages, download date Jul. 23, 2015.
Luverne Truck Equipment, Tuff Guard, www.luvernetruck.com/Product_Line/Tuff_Guard/tuff_guard.html, 1 page, download date Jul. 22, 2015.
Luverne Truck Equipment, Brandon, SD, Tuff Guard Installation Instructions 205629, 3 pages, revised Feb. 5, 2013.

* cited by examiner

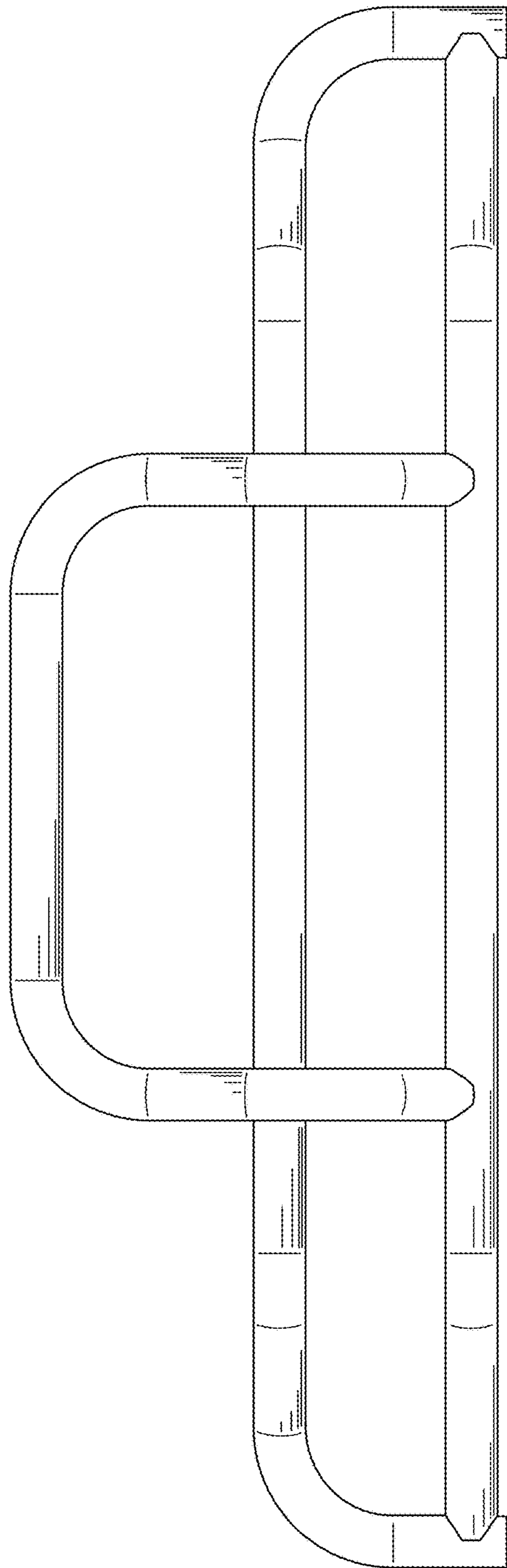


FIG. 1

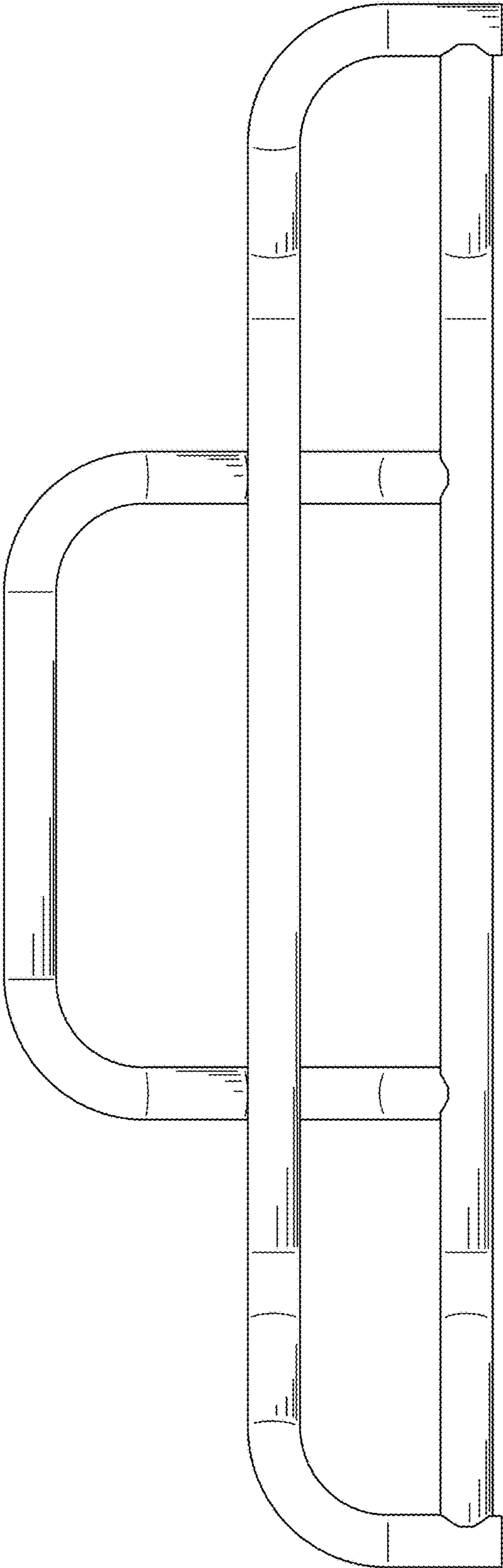


FIG. 2

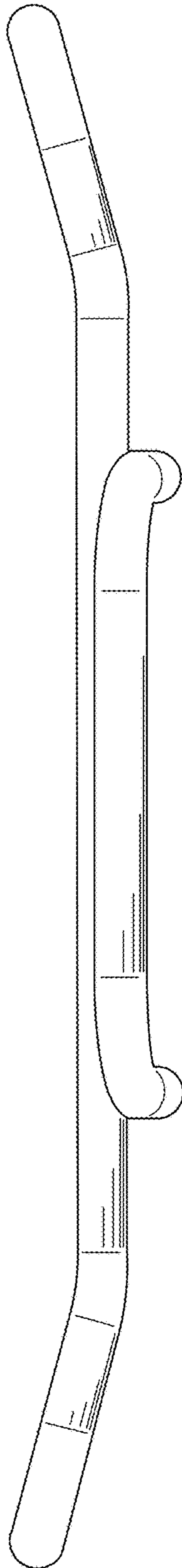


FIG. 3

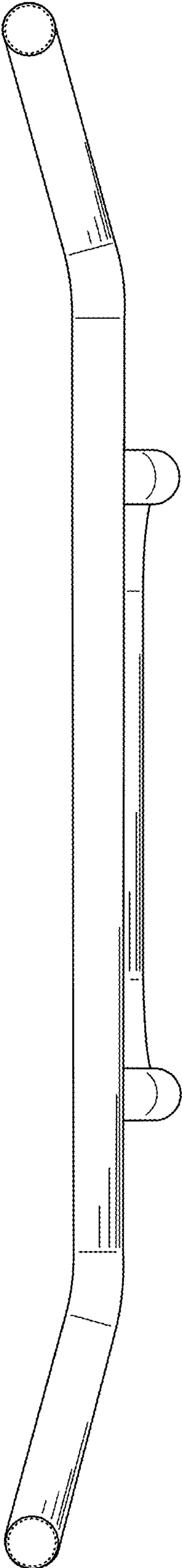


FIG. 4

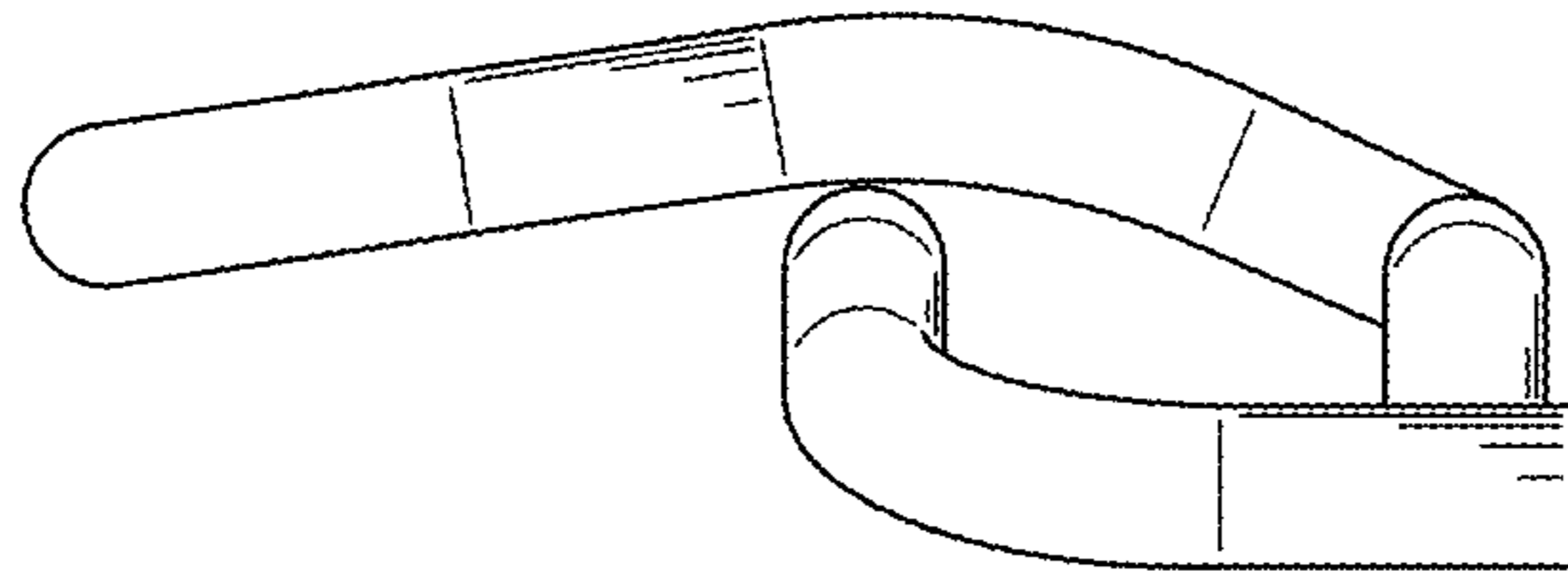


FIG. 5

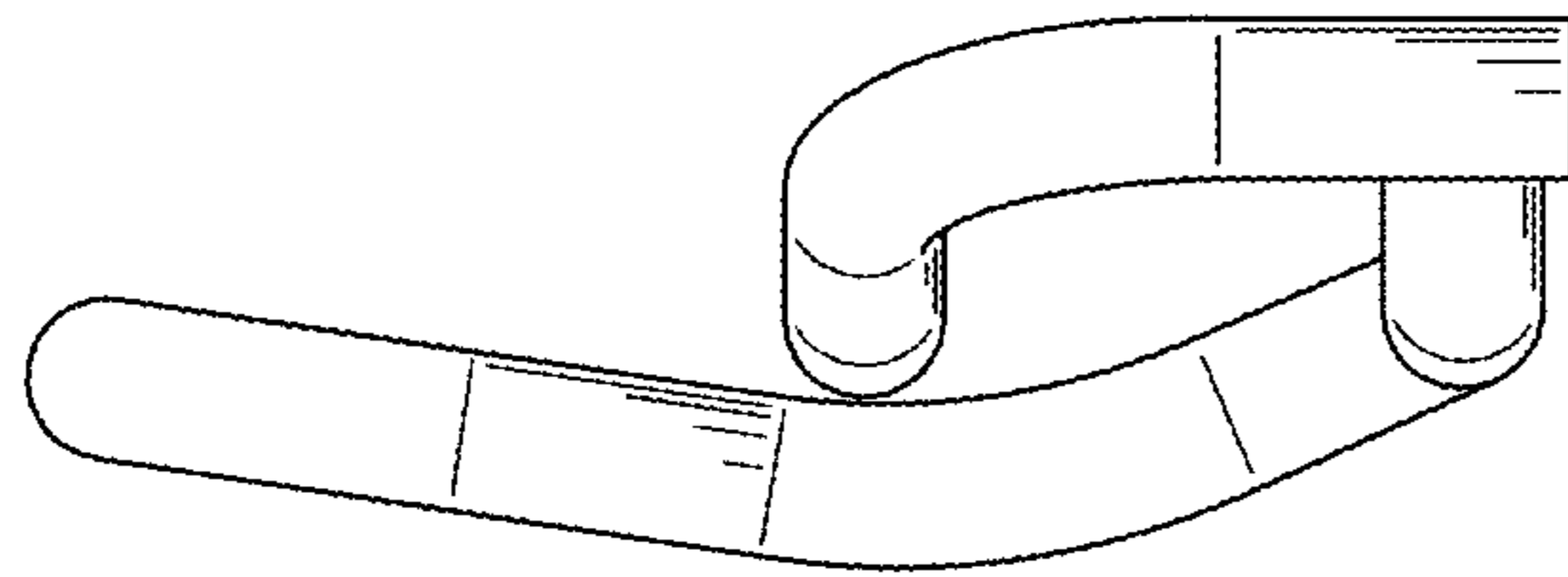


FIG. 6

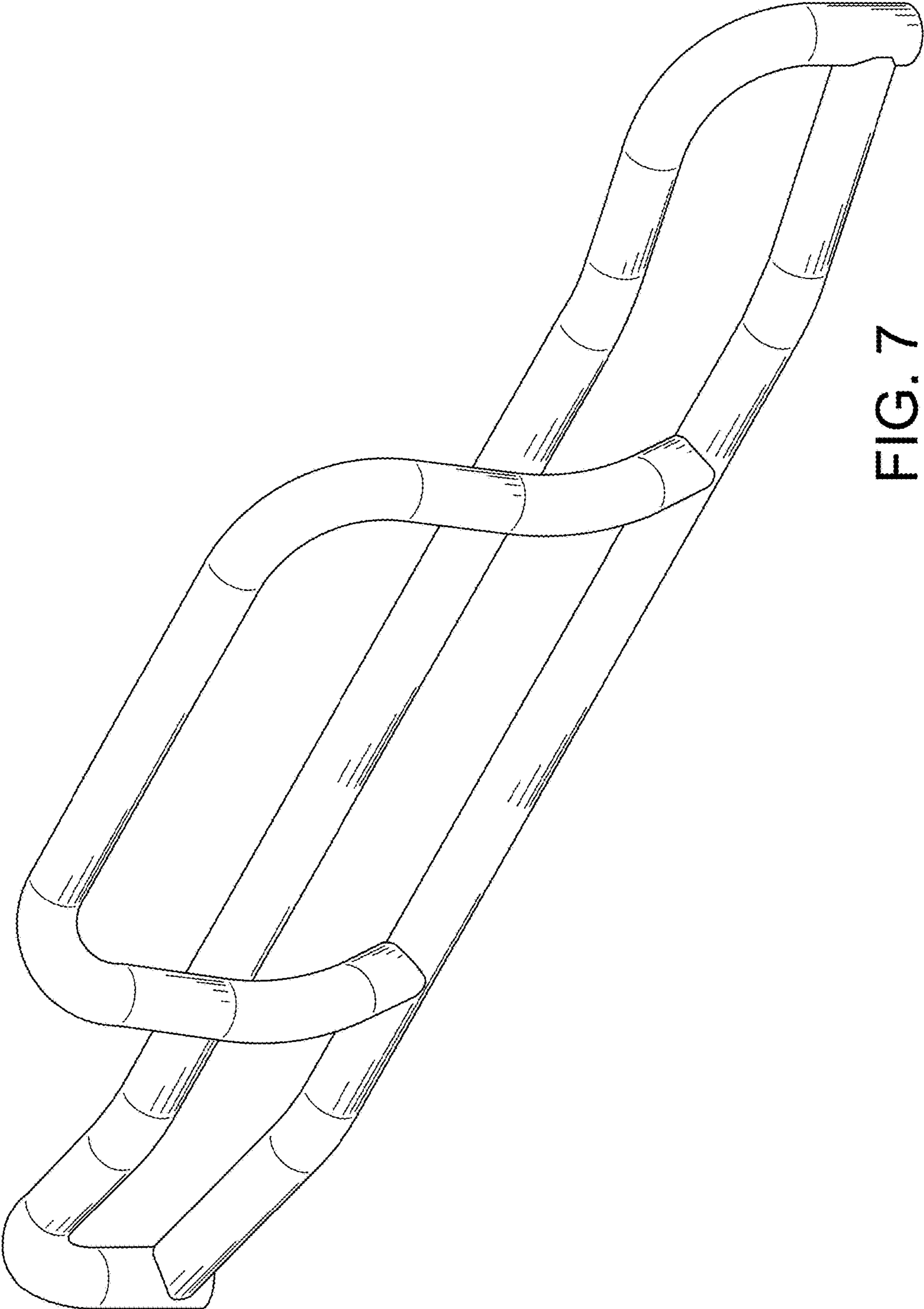


FIG. 7