



US00D823749S

(12) **United States Design Patent** (10) **Patent No.:** **US D823,749 S**  
**Choey et al.** (45) **Date of Patent:** **\*\* Jul. 24, 2018**

(54) **FRONT BUMPER COVER FOR VEHICLES**  
(71) Applicant: **KIA MOTORS CORPORATION**,  
Seoul (KR)  
(72) Inventors: **Eun-Kyeong Choey**, Hwaseong-si  
(KR); **Sung-Wook Kim**, Gunpo-si (KR)  
(73) Assignee: **Kia Motors Corporation**, Seoul (KR)  
(\*\*) Term: **15 Years**  
(21) Appl. No.: **35/502,847**  
(22) Filed: **Oct. 17, 2016**  
(80) **Hague Agreement Data**  
Int. Filing Date: **Oct. 17, 2016**  
Int. Reg. No.: **DM/093162**  
Int. Reg. Date: **Oct. 17, 2016**  
Int. Reg. Pub. Date: **Apr. 21, 2017**

(30) **Foreign Application Priority Data**  
Aug. 29, 2016 (KR) ..... 30-2016-0042003  
(51) **LOC (11) Cl.** ..... **12-16**  
(52) **U.S. Cl.**  
USPC ..... **D12/169**  
(58) **Field of Classification Search**  
USPC ..... D12/90-92, 86, 169, 216  
CPC . B60R 21/34; B60R 19/03; B60R 2019/1833;  
B60R 9/06; B60R 13/105; B60R 19/24;  
B60R 19/30; B60R 2019/026; B60R  
2019/1886  
See application file for complete search history.

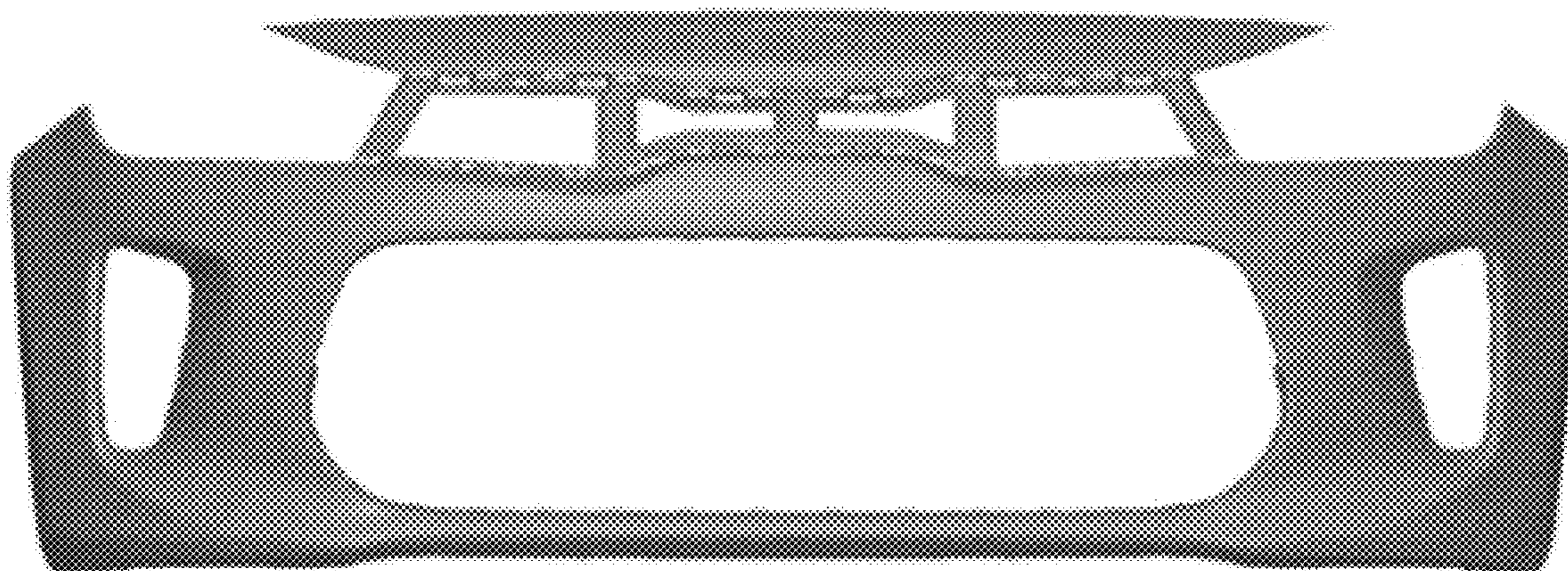
(56) **References Cited**  
U.S. PATENT DOCUMENTS  
D626,473 S \* 11/2010 Mueller ..... D12/169  
D656,871 S \* 4/2012 Fetherston ..... D12/169  
D789,851 S \* 6/2017 Svensson ..... D12/169  
D792,297 S \* 7/2017 Komuro ..... D12/169  
D793,925 S \* 8/2017 Park ..... D12/169  
D800,029 S \* 10/2017 Jung ..... D12/169  
D800,035 S \* 10/2017 Takamatsu ..... D12/169  
D801,240 S \* 10/2017 Yang ..... D12/169  
D803,112 S \* 11/2017 Tomita ..... D12/169  
D807,800 S \* 1/2018 Wheel ..... D12/169  
D811,291 S \* 2/2018 Ishigaki ..... D12/169

\* cited by examiner  
*Primary Examiner* — Michael A. Pratt  
(74) *Attorney, Agent, or Firm* — Mintz Levin Cohn Ferris  
Glovsky and Popeo, P.C.; Kongsik Kim

(57) **CLAIM**  
The ornamental design for a front bumper cover for vehicles,  
as shown and described.

**DESCRIPTION**  
1. Front bumper cover for vehicles  
1.1 : Perspective  
1.2 : Front  
1.3 : Back  
1.4 : Left  
1.5 : Right  
1.6 : Top  
1.7 : Bottom  
This article is installed on the front of vehicles and is used  
to reduce shock that is delivered to a car body in the event  
of a car collision.

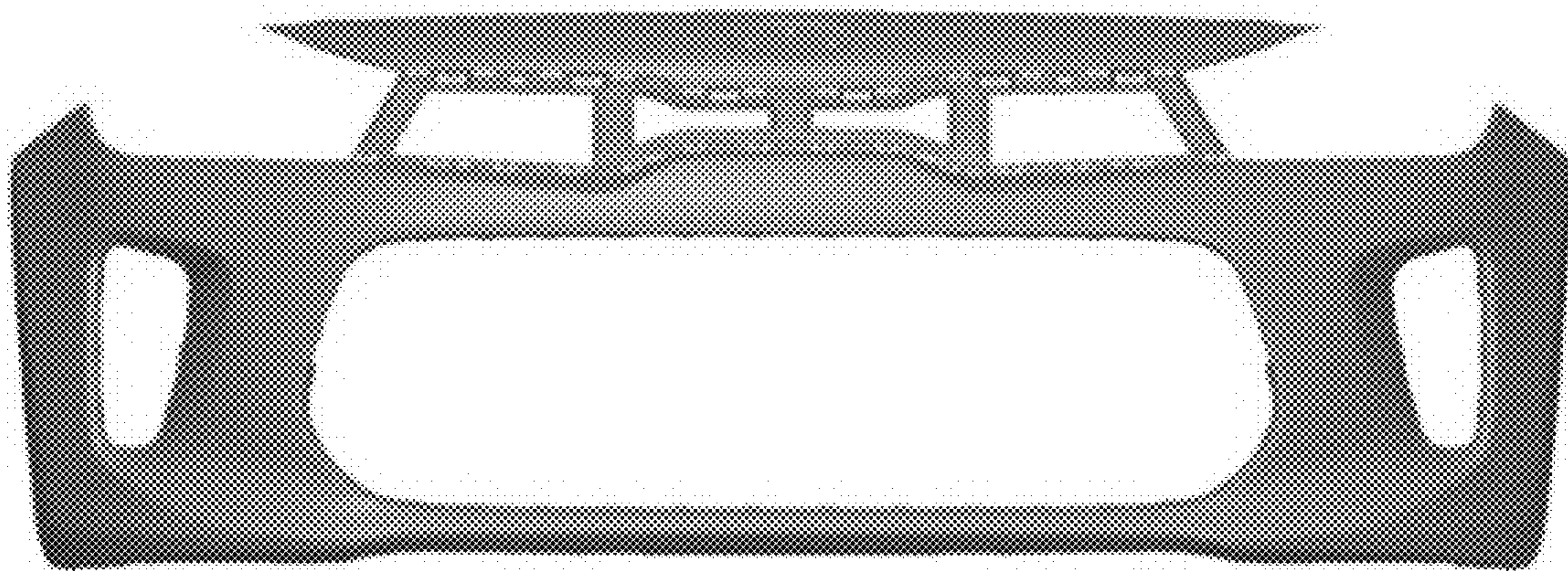
**1 Claim, 7 Drawing Sheets**



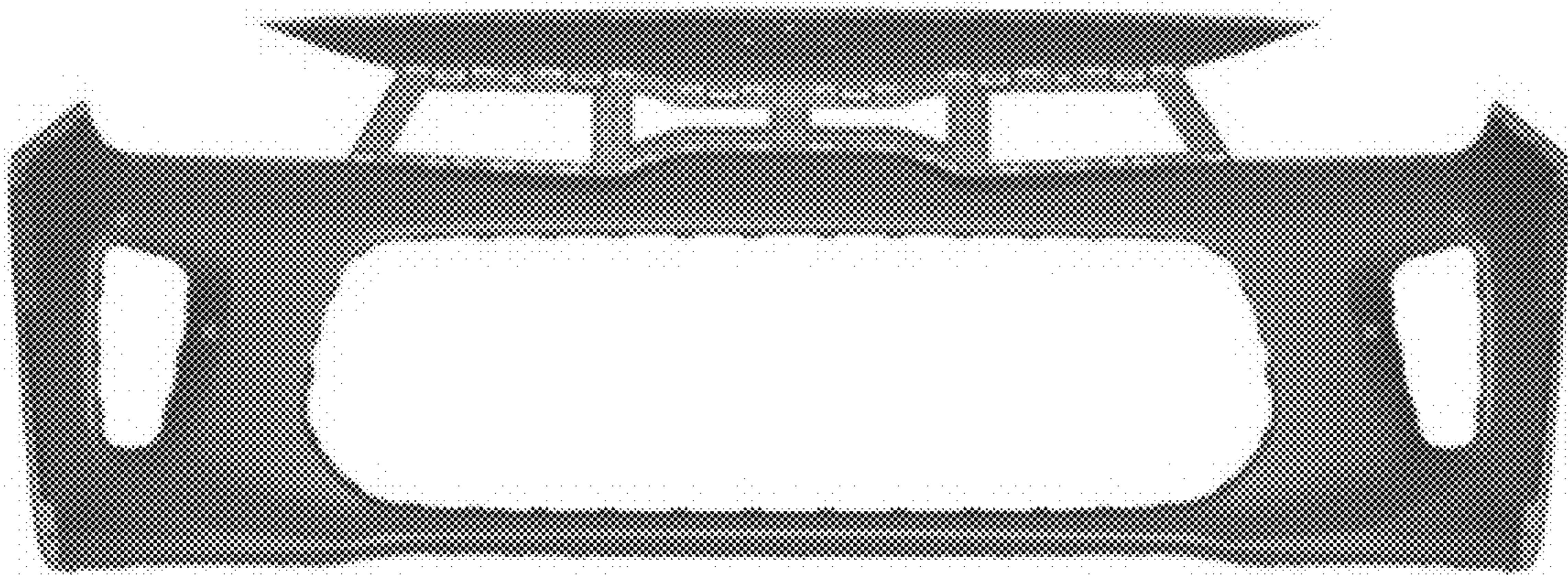
**1.1**



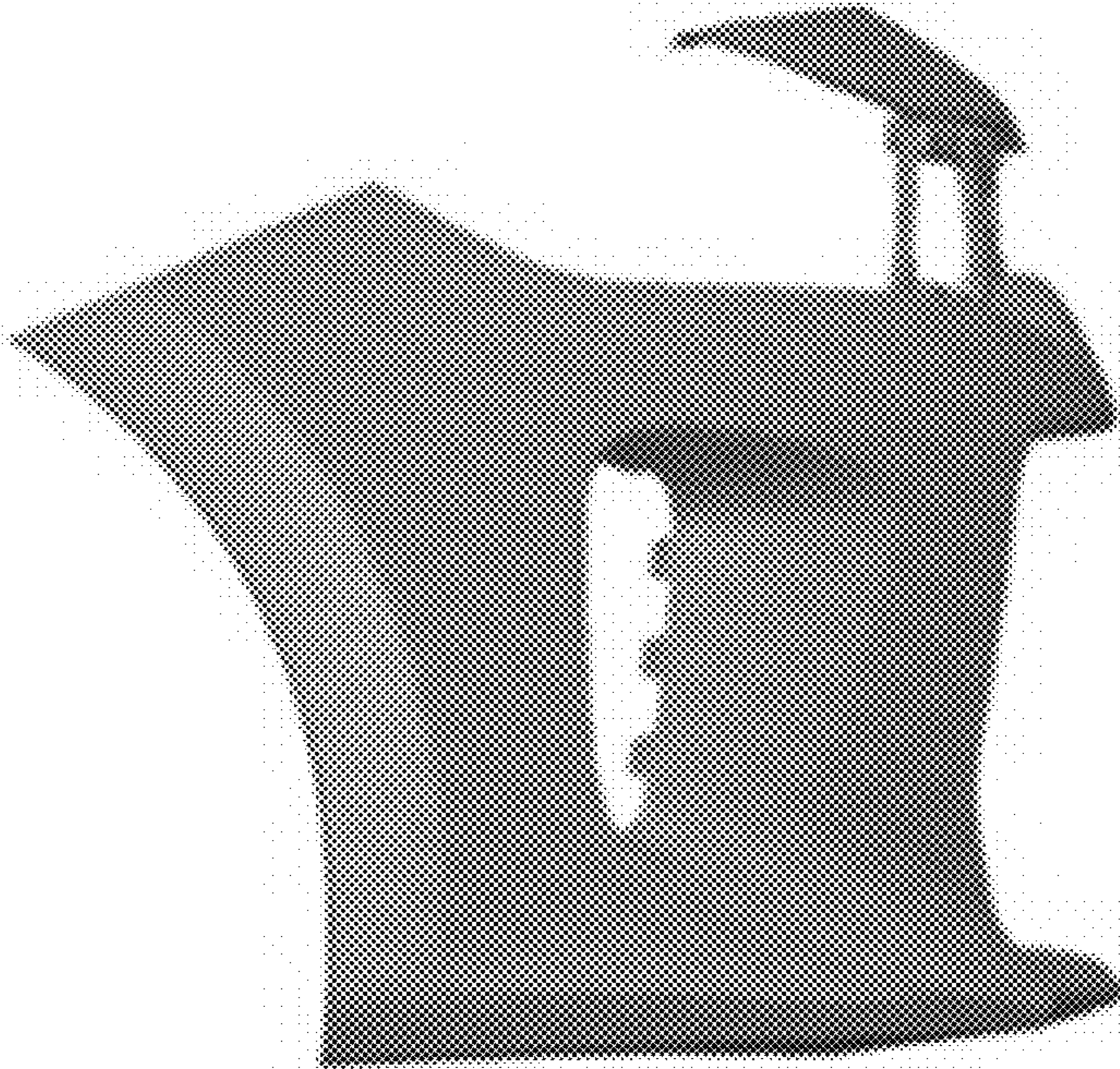
**1.2**



**1.3**



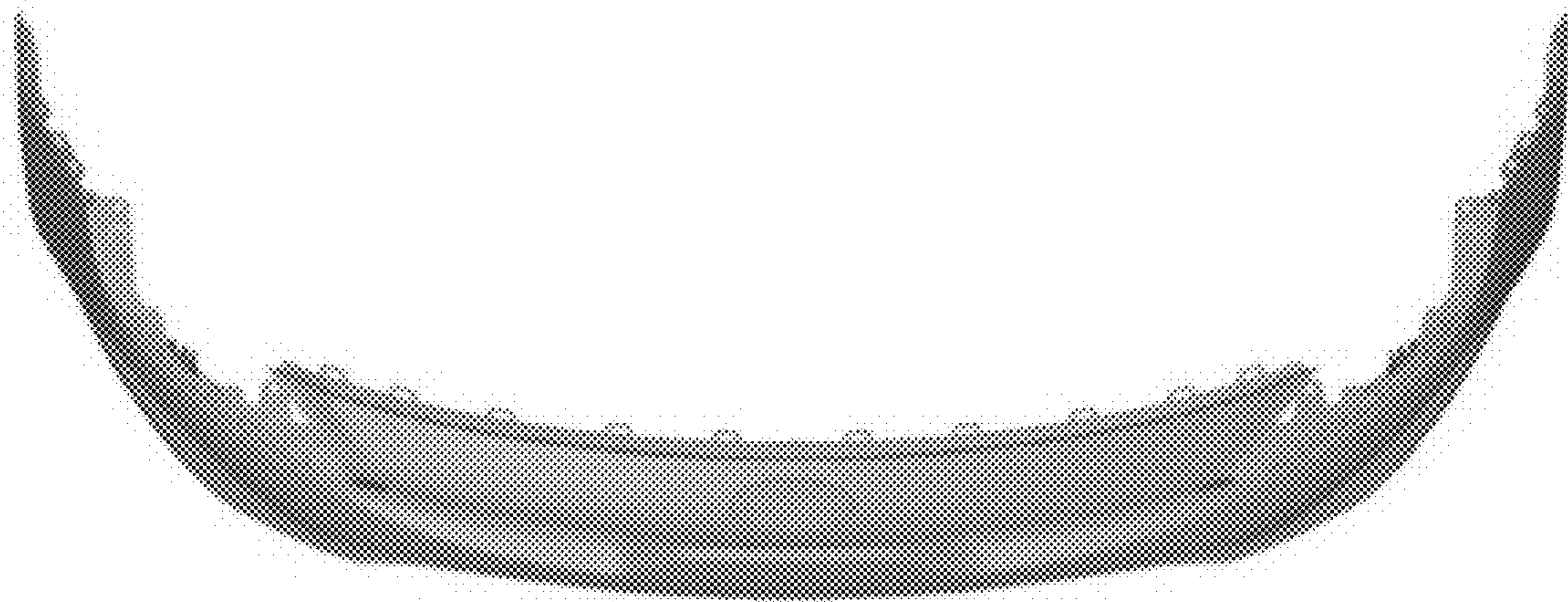
1.4



1.5



**1.6**



**1.7**

