



US00D823747S

(12) **United States Design Patent**
Tsarukyan

(10) **Patent No.:** **US D823,747 S**
(45) **Date of Patent:** **** Jul. 24, 2018**

(54) **FRONT BUMPER FOR A VEHICLE**
(71) Applicant: **Bayerische Motoren Werke**
Aktiengesellschaft, Munich (DE)
(72) Inventor: **Ernest Tsarukyan, Munich (DE)**
(73) Assignee: **Bayerische Motoren Werke**
Aktiengesellschaft, Munich (DE)

D717,219 S * 11/2014 Murakawa D12/169
D721,021 S * 1/2015 Hanaoka D12/169
D733,623 S * 7/2015 Robinson D12/169
D737,738 S 9/2015 Nordmann
D744,912 S 12/2015 Leclercq
D748,542 S * 2/2016 Horiuchi D12/169

(Continued)

(**) Term: **15 Years**
(21) Appl. No.: **29/607,496**

FOREIGN PATENT DOCUMENTS

EM 002156745-0001 1/2013
WO WO DM/063034 4/2003
WO WO DM/069404 4/2008

(Continued)

(22) Filed: **Jun. 14, 2017**

Primary Examiner — Melody N Brown

(74) *Attorney, Agent, or Firm* — Crowell & Moring LLP

(30) **Foreign Application Priority Data**

Dec. 20, 2016 (DE) 40 2016 101 505

(51) **LOC (11) Cl.** **12-16**

(52) **U.S. Cl.**
USPC **D12/169**

(58) **Field of Classification Search**
USPC D12/169, 216, 90-92, 86, 171, 196, 163;
293/102, 113, 115, 117, 120; 296/180.1,
296/180.2

CPC B60R 19/02; B60R 19/04; B62D 25/08
See application file for complete search history.

(57) **CLAIM**

The ornamental design for a front bumper for a vehicle, as shown and described.

DESCRIPTION

This application contains subject matter related to the following co-pending U.S. design patent applications:

Application Ser. No. 29/607,492, filed herewith and entitled “Vehicle, Toy, and/or Replicas Thereof”; and

Application Ser. No. 29/607,494, filed herewith and entitled “Front Bumper for a Vehicle”.

FIG. 1 is a front view of a front bumper for a vehicle according to the design;

FIG. 2 is a top, front and right side perspective view thereof and;

FIG. 3 is a bottom, front and left side perspective view thereof.

FIG. 4 is a right side view thereof;

FIG. 5 is a left side view thereof;

FIG. 6 is a top view thereof;

FIG. 7 is a bottom view thereof; and,

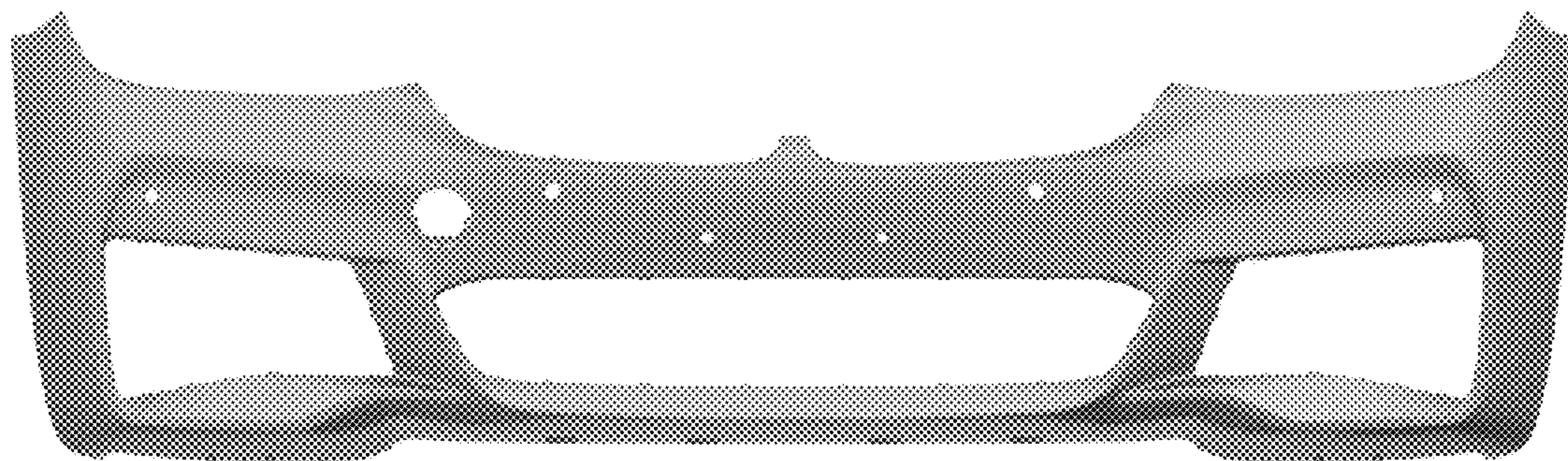
FIG. 8 is a rear view thereof.

(56) **References Cited**

U.S. PATENT DOCUMENTS

D479,699 S 9/2003 Boyer
D638,758 S 5/2011 Faghihzadeh
D682,754 S * 5/2013 Robinson D12/169
D684,099 S * 6/2013 McCabe D12/169
D695,163 S * 12/2013 Scheinhutte D12/169
D700,114 S * 2/2014 Wada D12/169
D703,117 S * 4/2014 Osborne D12/169
D704,604 S * 5/2014 Okumoto D12/169
D708,997 S * 7/2014 Koizumi D12/169
D712,803 S * 9/2014 Scheinhutte D12/169
D712,804 S * 9/2014 Scheinhutte D12/169

1 Claim, 8 Drawing Sheets



(56)

References Cited

U.S. PATENT DOCUMENTS

D772,119 S 11/2016 De Bono
D772,122 S 11/2016 Zurian

FOREIGN PATENT DOCUMENTS

WO WO DM/073504 10/2010
WO WO DM/084222 2/2015

* cited by examiner

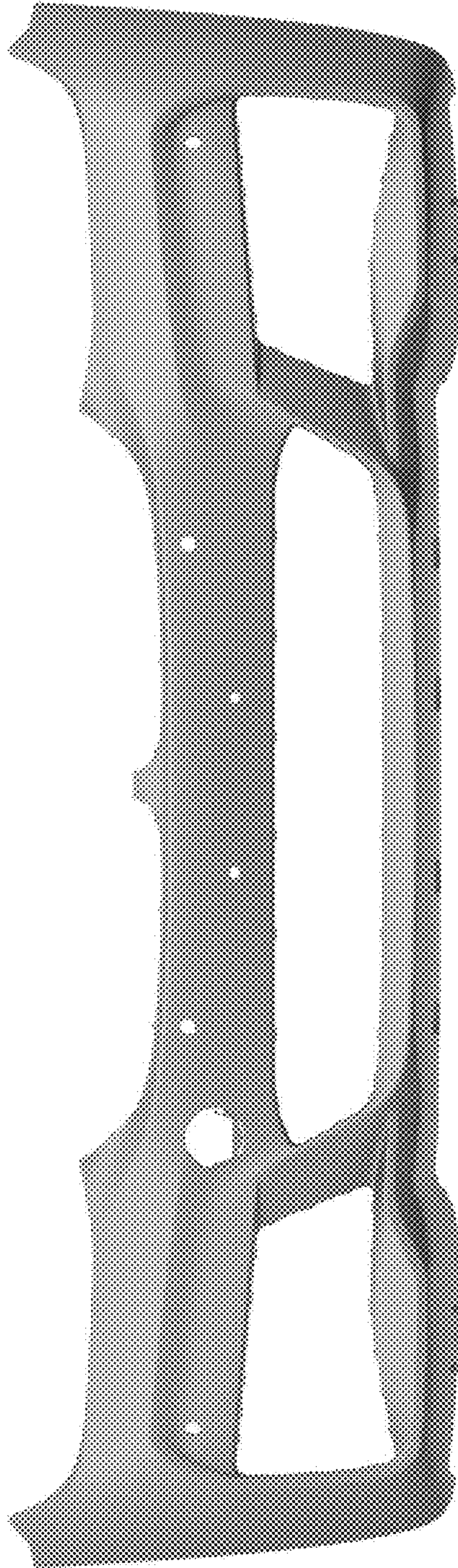


Fig. 1

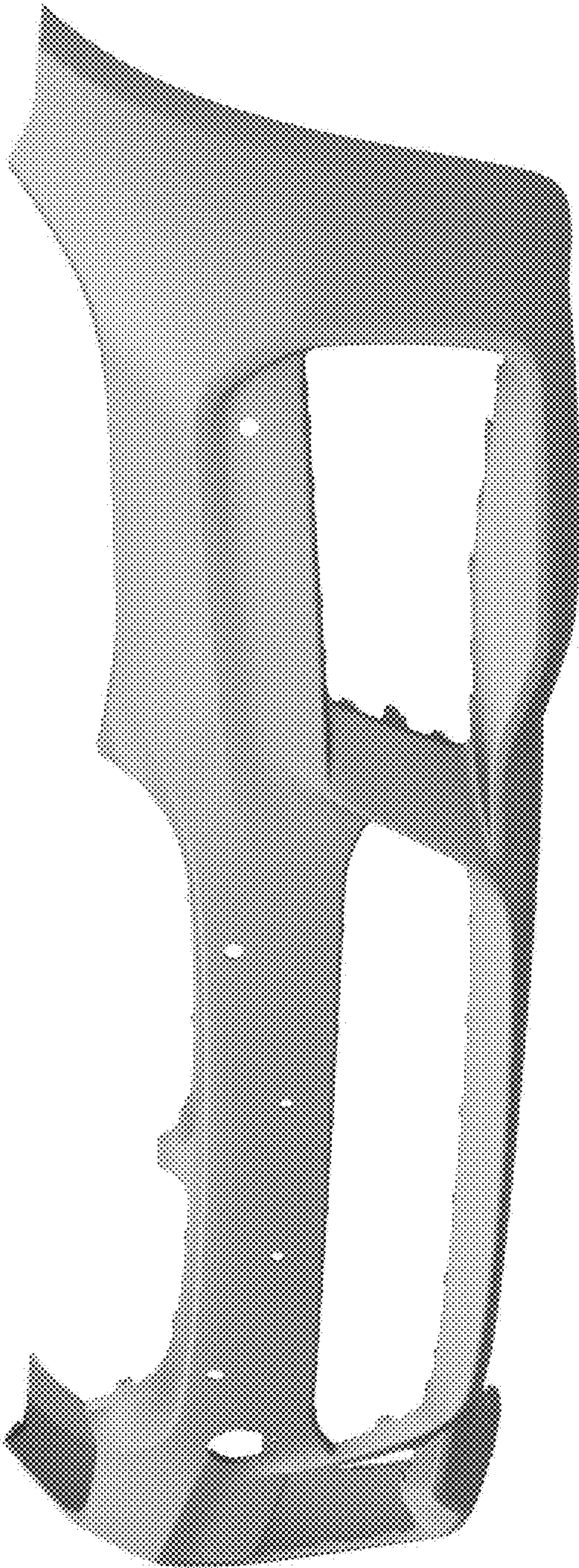


Fig. 2

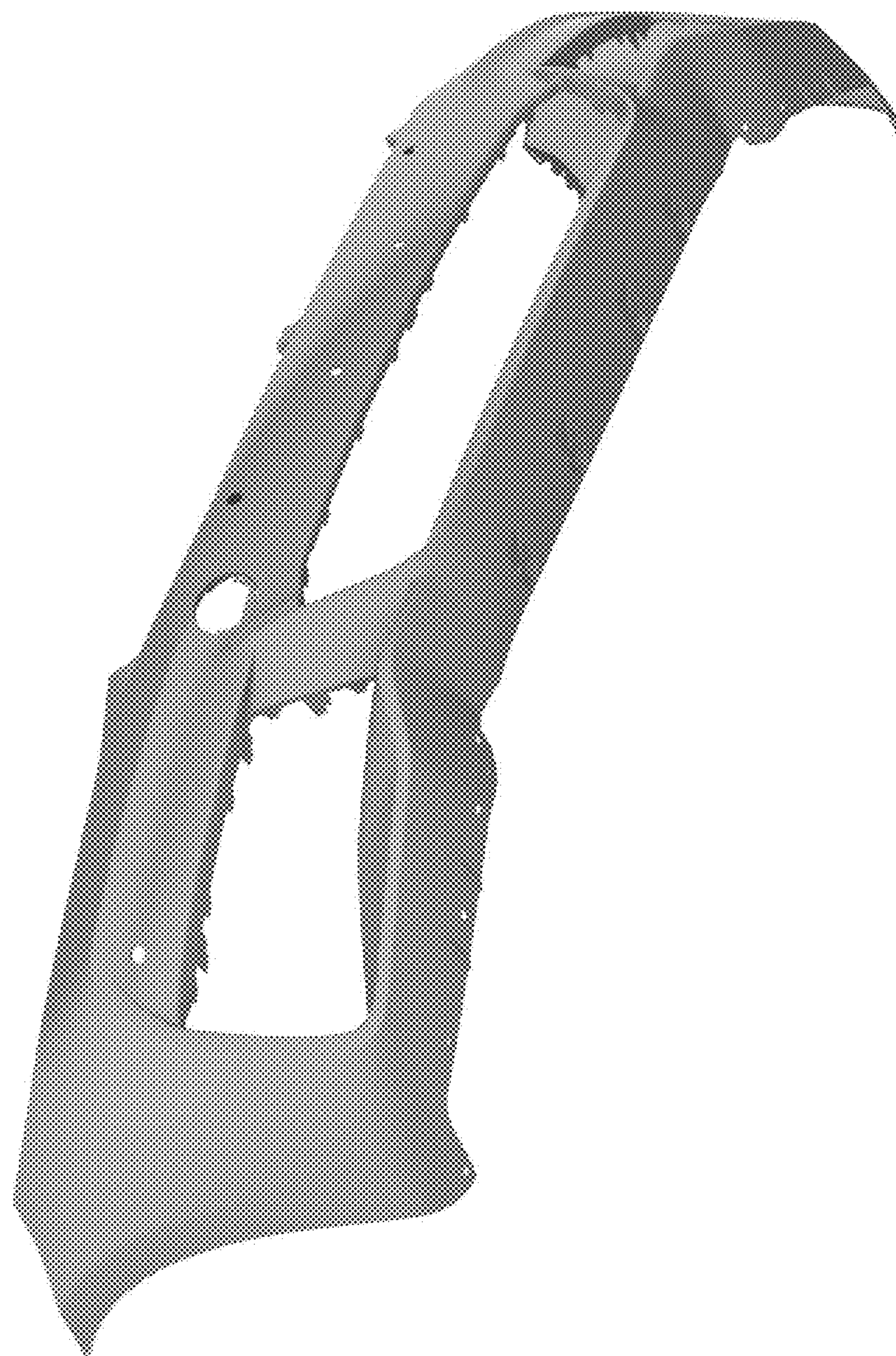


Fig. 3

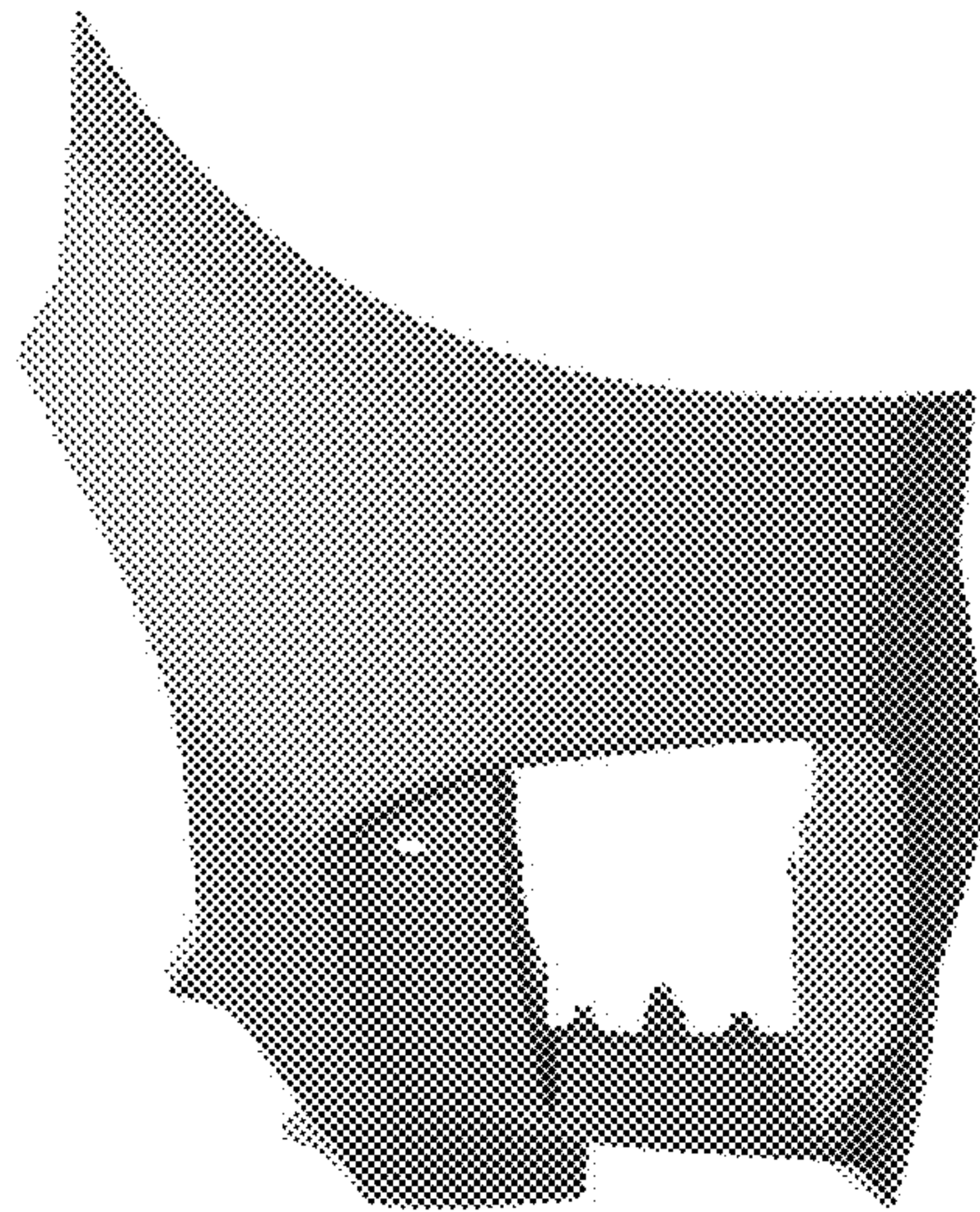


Fig. 4

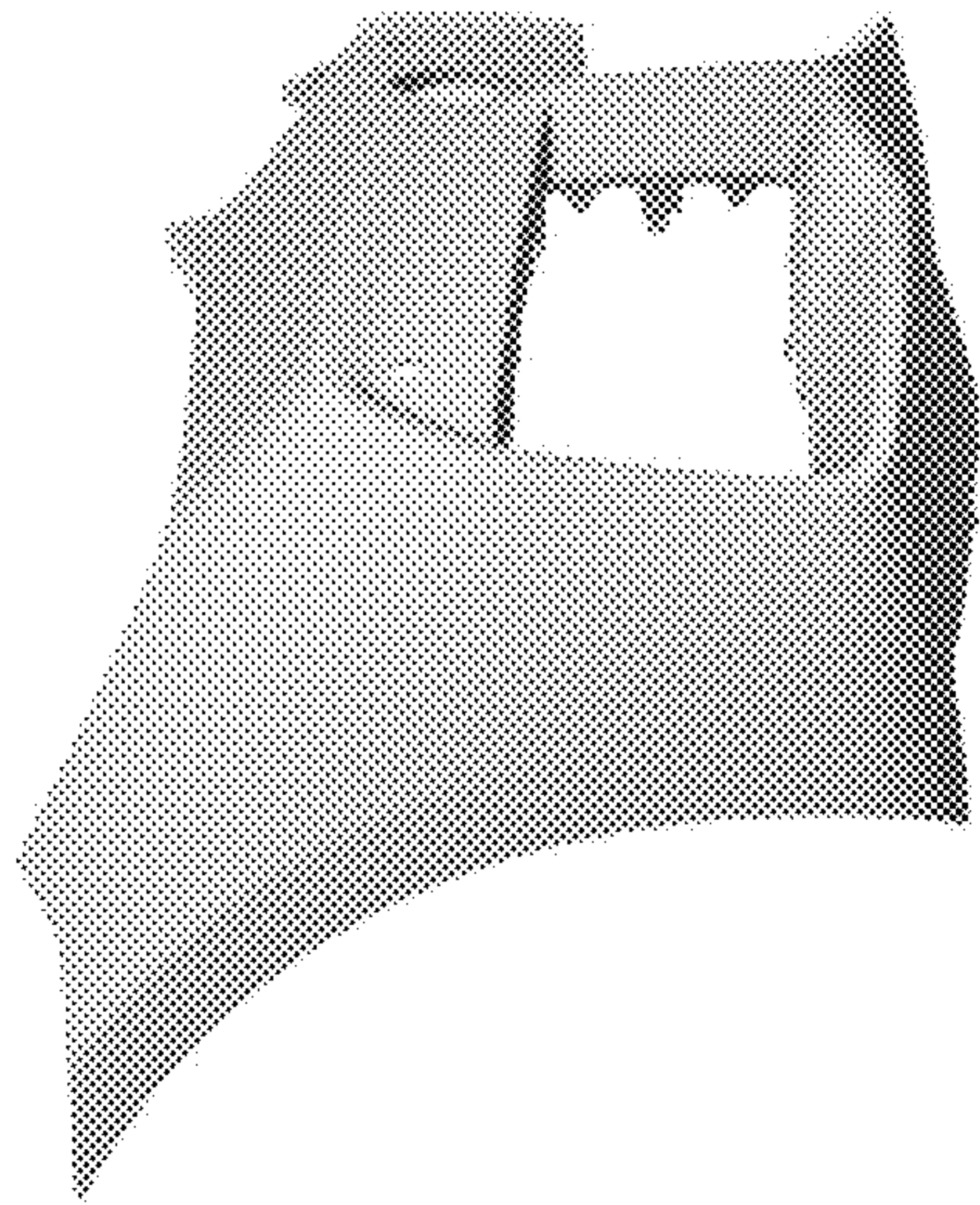


Fig. 5

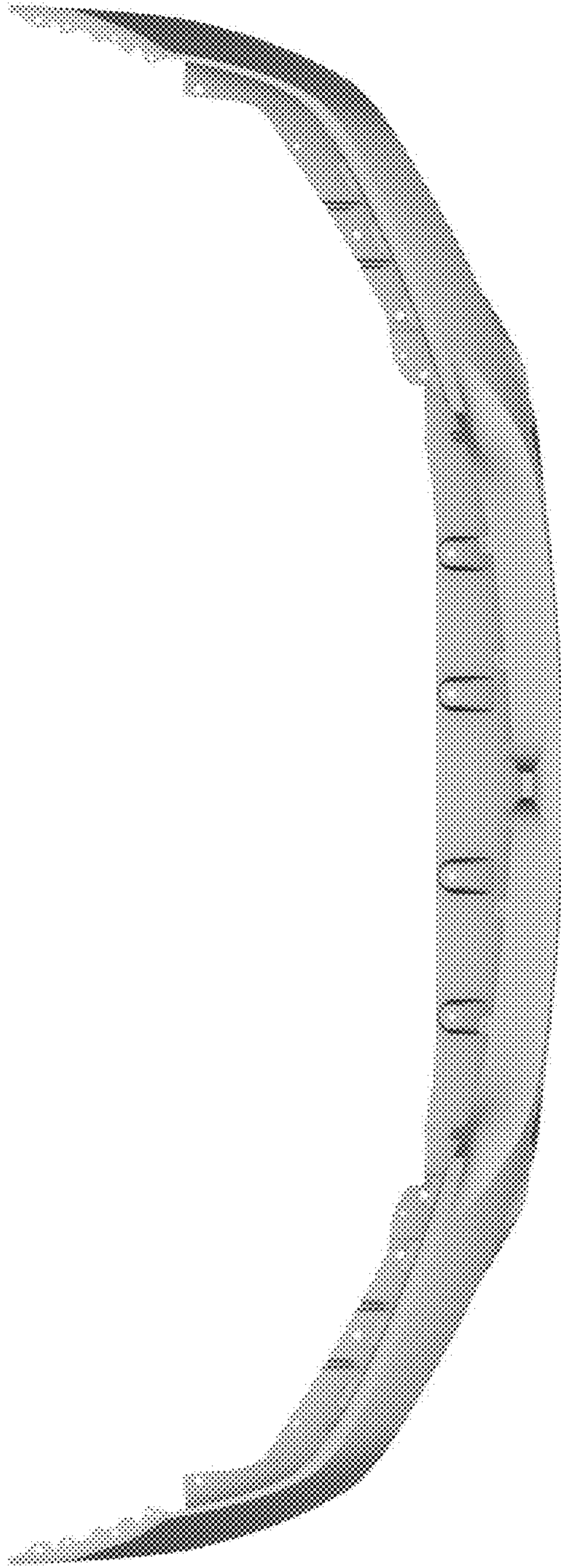


Fig. 6

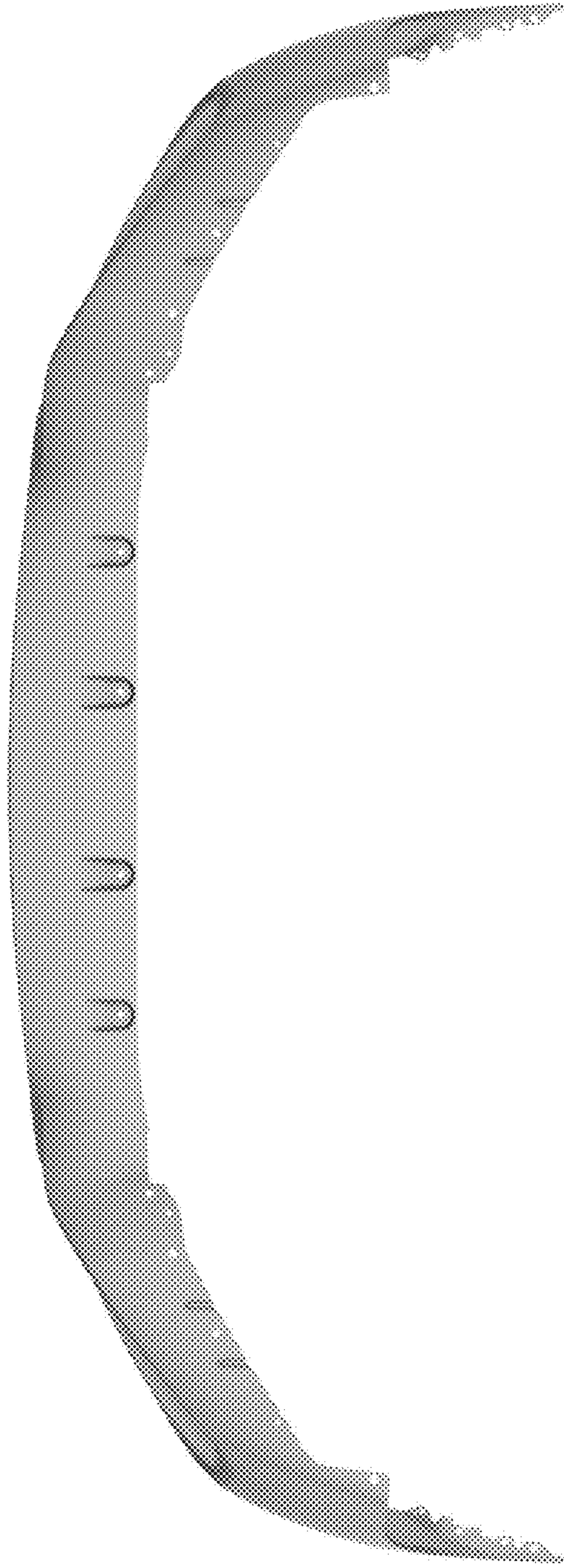


Fig. 7

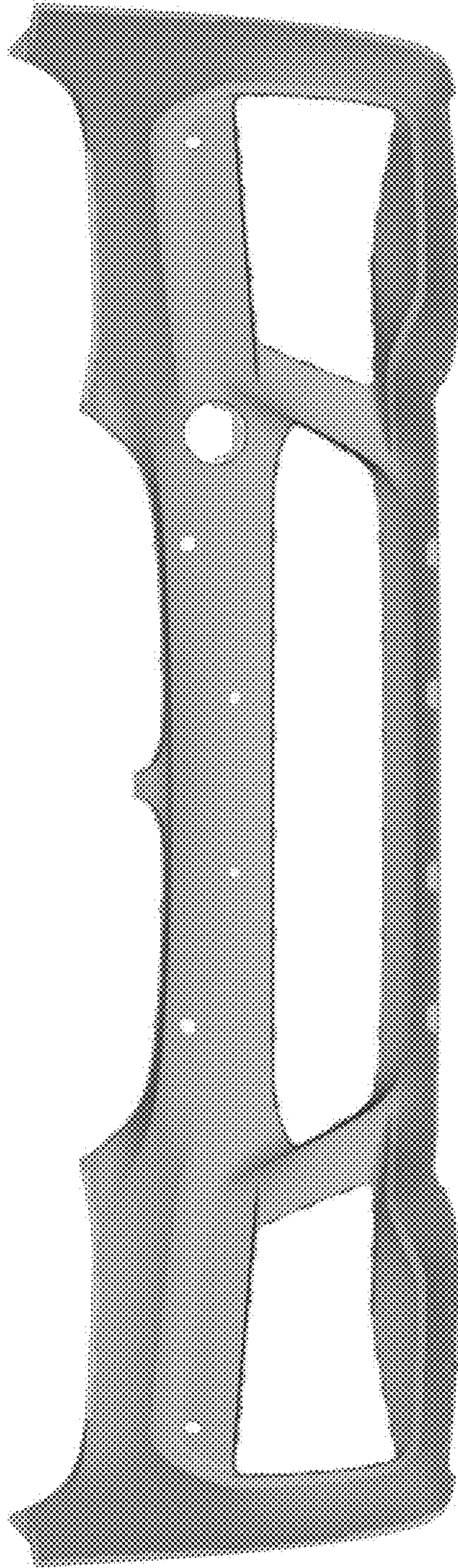


Fig. 8