



US00D823746S

(12) **United States Design Patent** (10) **Patent No.:** **US D823,746 S**
Lim (45) **Date of Patent:** **** Jul. 24, 2018**

(54) **FRONT BUMPER FOR A VEHICLE**

FOREIGN PATENT DOCUMENTS

(71) Applicant: **Bayerische Motoren Werke Aktiengesellschaft**, Munich (DE)

EM 001132864-0001 6/2009
EM 001829227-0001 3/2011

(Continued)

(72) Inventor: **Seungmo Lim**, Munich (DE)

OTHER PUBLICATIONS

(73) Assignee: **Bayerische Motoren Werke Aktiengesellschaft**, Munich (DE)

CamVanDerHorst, *This is the BMW G30 M5*, Oct. 14, 2016, <http://camvanderhorst.kinja.com/this-is-the-bmw-g30-m5-1787826155?rev=1476501690276>.

(Continued)

(**) Term: **15 Years**

(21) Appl. No.: **29/600,509**

(22) Filed: **Apr. 13, 2017**

Primary Examiner — Melody N Brown

(74) *Attorney, Agent, or Firm* — Crowell & Moring LLP

(30) **Foreign Application Priority Data**

Jan. 9, 2017 (DE) 40 2017 100 011

(51) **LOC (11) Cl.** **12-16**

(52) **U.S. Cl.**
USPC **D12/169**

(58) **Field of Classification Search**
USPC D12/169, 216, 90-92, 86, 171, 196, 163;
293/102, 113, 115, 117, 120; 296/180.1,
296/180.2

CPC B60R 19/02; B60R 19/04; B62D 25/08
See application file for complete search history.

(56) **References Cited**

U.S. PATENT DOCUMENTS

D610,956 S 3/2010 Truebsbach
D682,754 S * 5/2013 Robinson D12/169
D684,099 S * 6/2013 McCabe D12/169
D695,163 S * 12/2013 Scheinhutte D12/169
D700,114 S * 2/2014 Wada D12/169
D703,117 S * 4/2014 Osborne D12/169
D704,604 S * 5/2014 Okumoto D12/169
D708,997 S * 7/2014 Koizumi D12/169
D712,803 S * 9/2014 Scheinhutte D12/169
D712,804 S * 9/2014 Scheinhutte D12/169
D717,219 S * 11/2014 Murakawa D12/169
D721,021 S * 1/2015 Hanaoka D12/169

(Continued)

(57) **CLAIM**

The ornamental design for a front bumper for a vehicle, as shown and described.

DESCRIPTION

This application contains subject matter related to the following co-pending U.S. design patent applications:

Application Ser. No. 29/579,110, filed Sep. 28, 2016 and entitled "Front Bumper for a Vehicle;" and Application Ser. No. 29/594,695, filed Feb. 22, 2017 and entitled "Front Bumper for a Vehicle."

FIG. 1 is a front view of a front bumper for a vehicle according to the design;

FIG. 2 is a top, front and right side perspective view thereof and;

FIG. 3 is a bottom, front and right side perspective view thereof.

FIG. 4 is a right side view thereof;

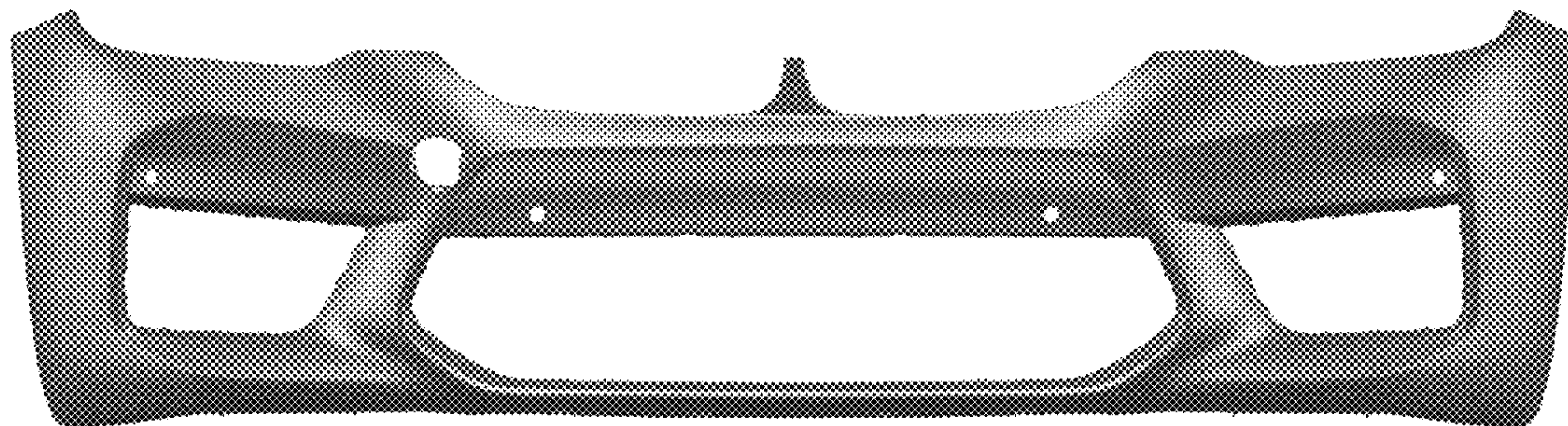
FIG. 5 is a left side view thereof;

FIG. 6 is a top view thereof;

FIG. 7 is a bottom view thereof; and,

FIG. 8 is a rear view thereof.

1 Claim, 8 Drawing Sheets



(56)

References Cited

U.S. PATENT DOCUMENTS

D733,623 S * 7/2015 Robinson D12/169
D748,542 S * 2/2016 Horiuchi D12/169
D748,543 S 2/2016 Nissl
D772,119 S * 11/2016 De Bono D12/169

FOREIGN PATENT DOCUMENTS

EM 002016030-0004 4/2012
WO WO DM/066376 4/2005

OTHER PUBLICATIONS

Bimmerpost, BMW 5-Series G30, *F90 M5 design revealed via leaked CAD files (updated with renderings)*, Oct. 15, 2016, <http://g30.bimmerpost.com/forums/showthread.php?t=1315014>.

* cited by examiner

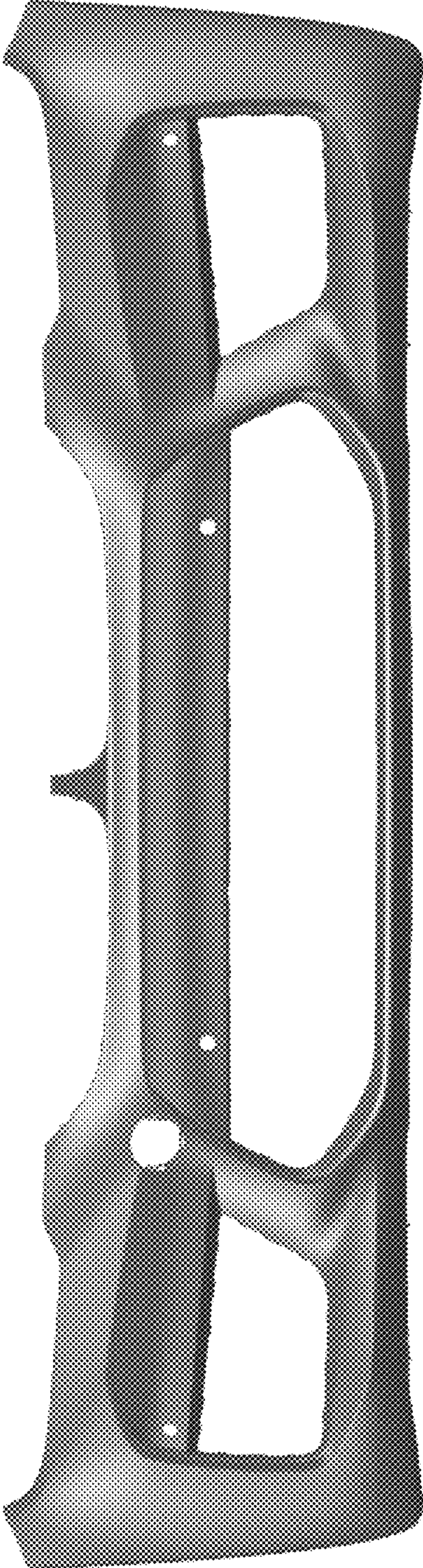


Fig. 1

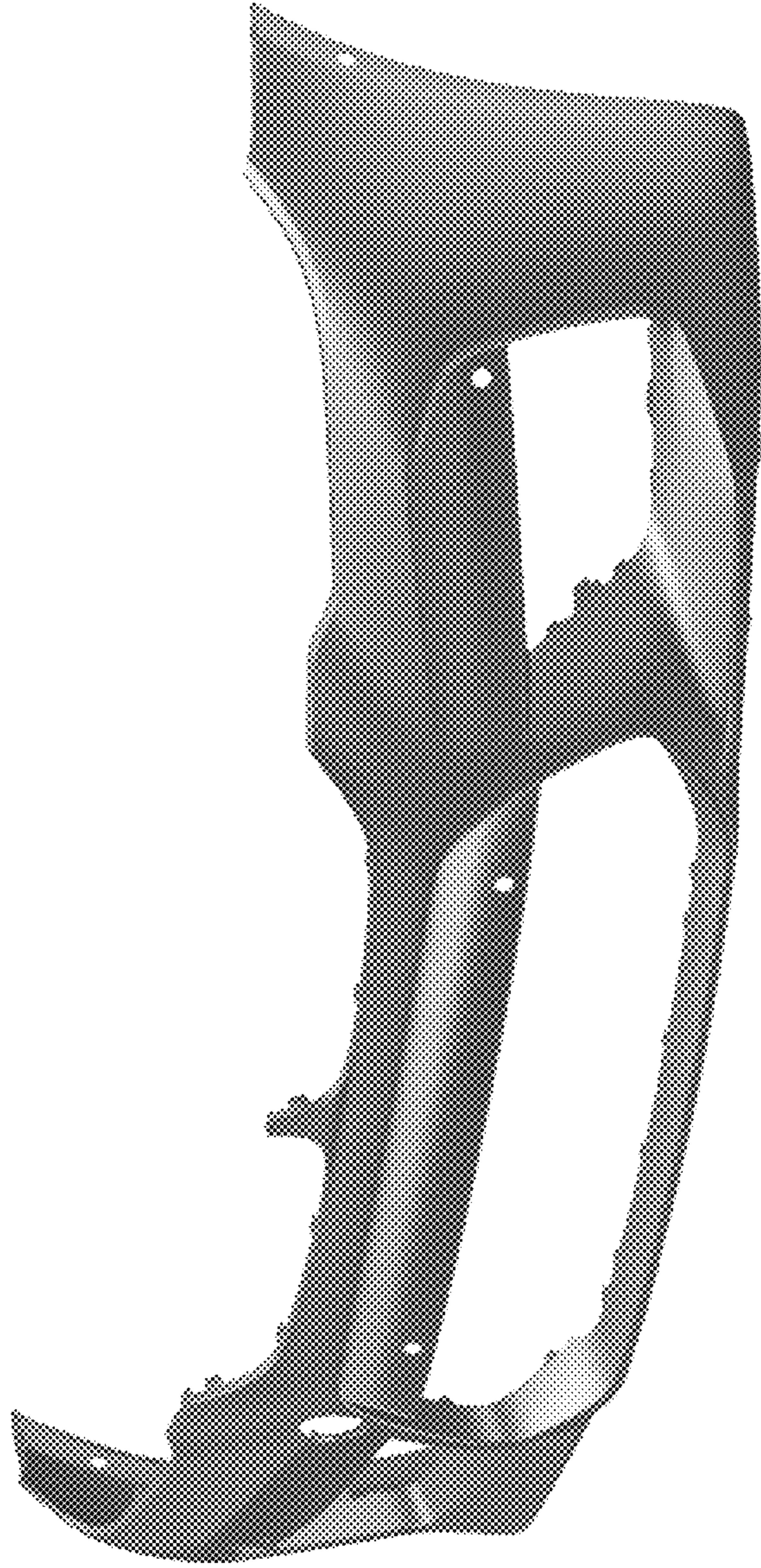


Fig. 2

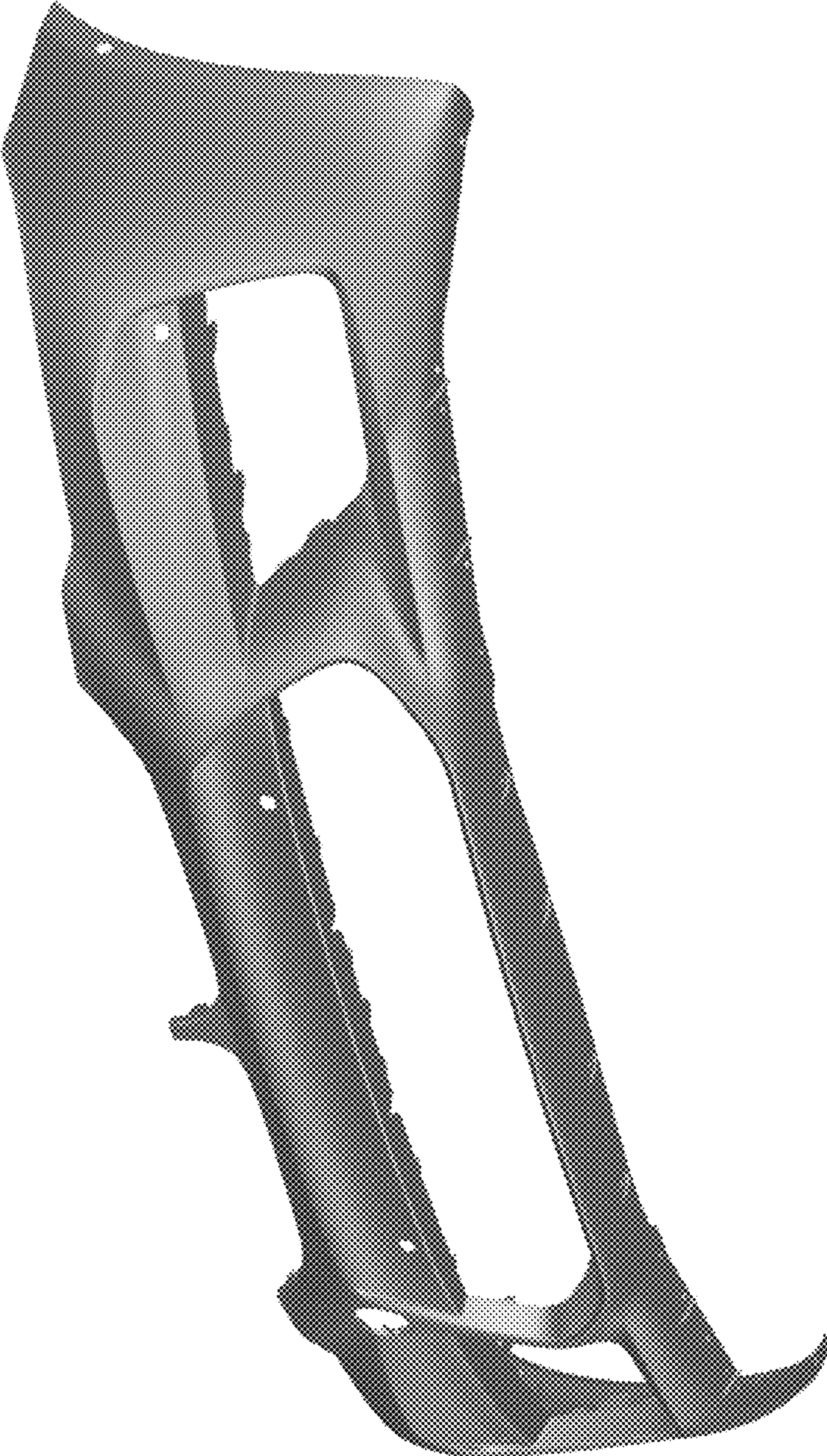


Fig. 3

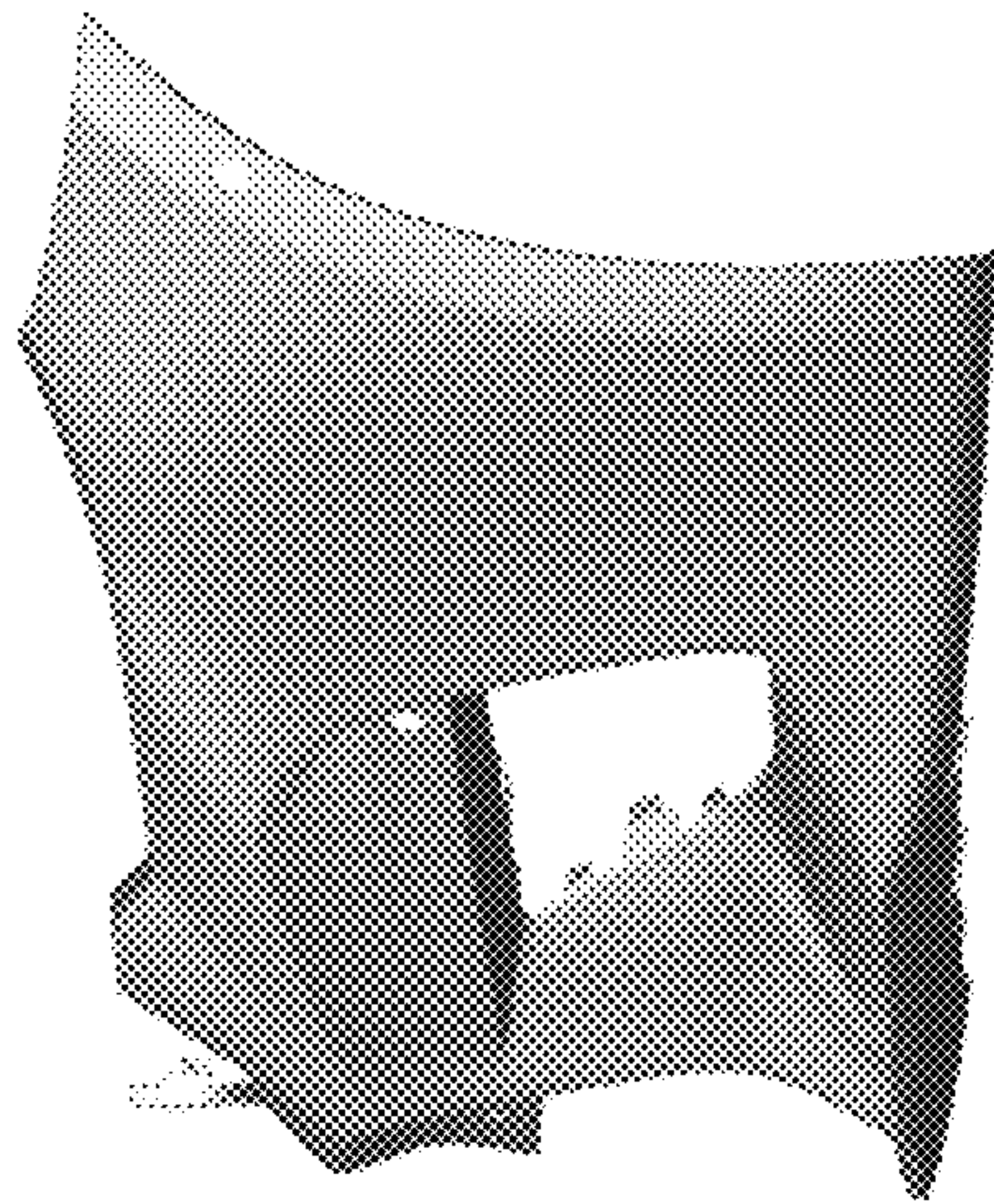


Fig. 4

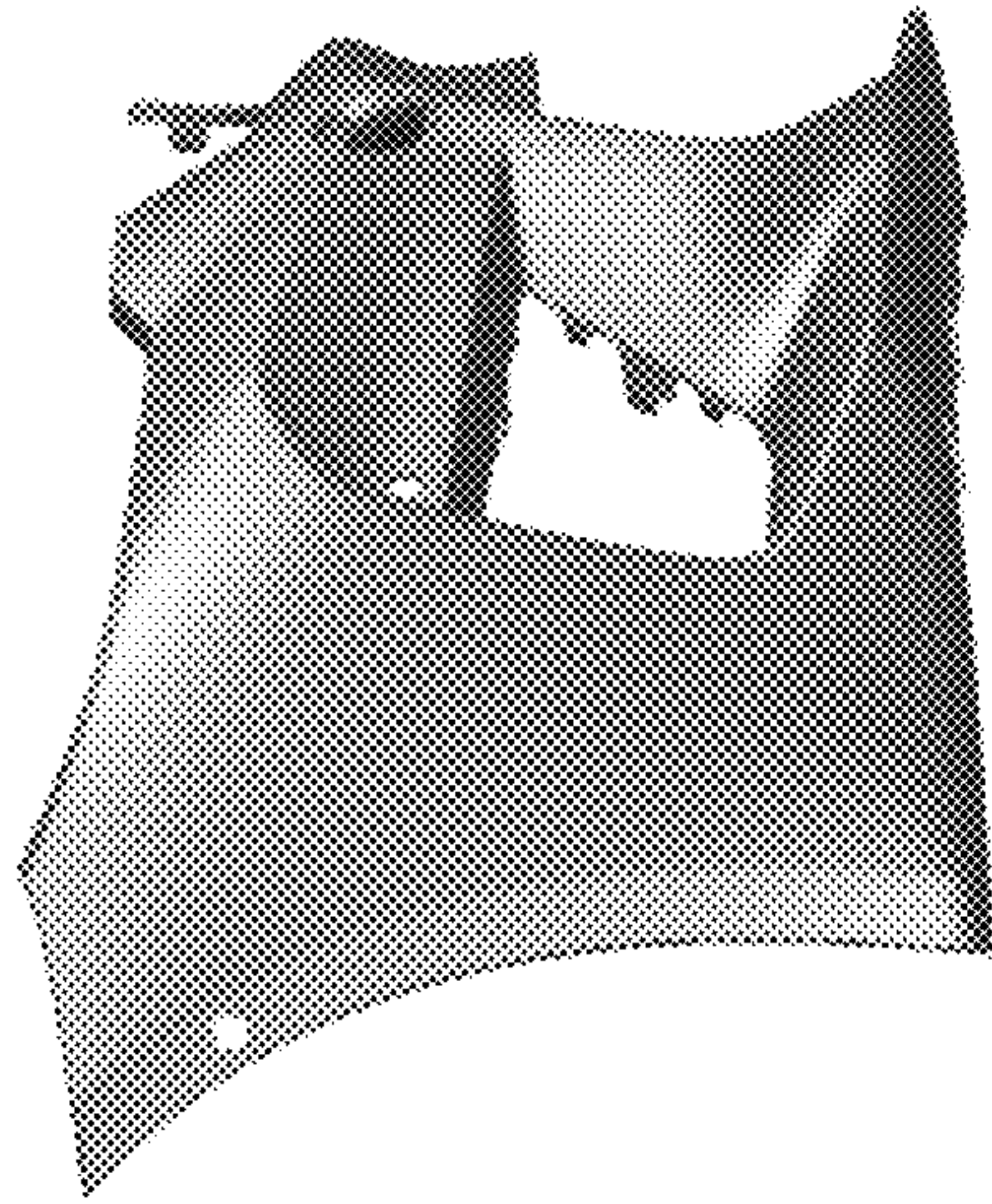


Fig. 5

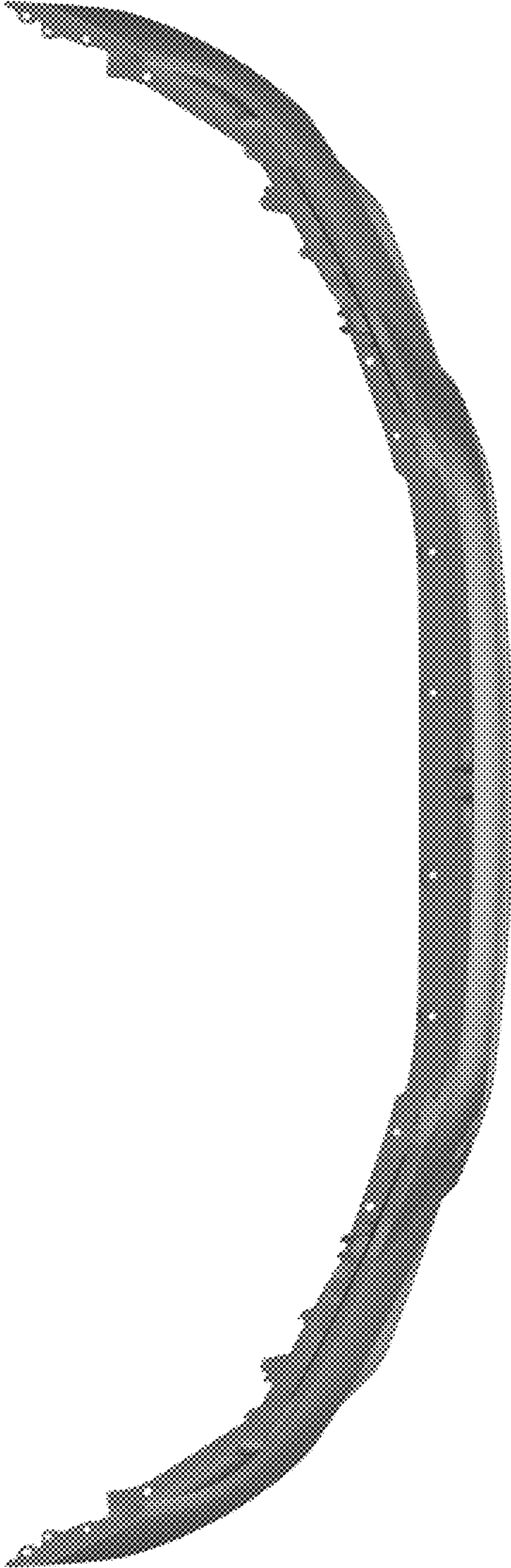


Fig. 6

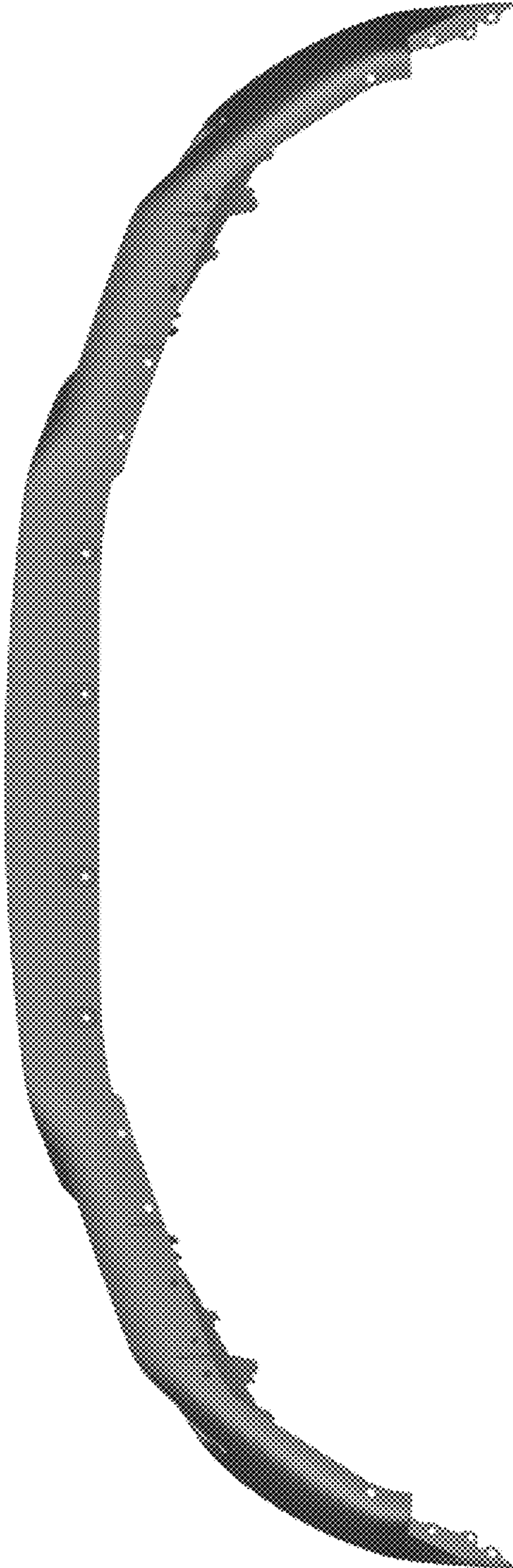


Fig. 7

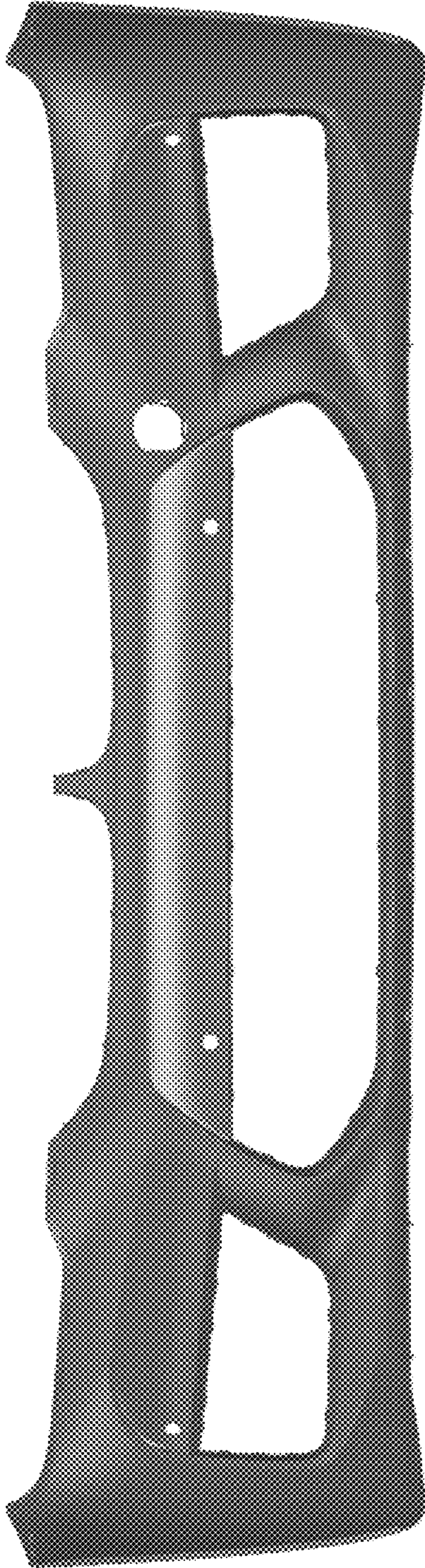


Fig. 8