



US00D823742S

(12) **United States Design Patent**
Simm

(10) **Patent No.:** **US D823,742 S**
(45) **Date of Patent:** **** Jul. 24, 2018**

(54) **REAR BUMPER FOR A VEHICLE**
(71) Applicant: **Bayerische Motoren Werke**
Aktiengesellschaft, Munich (DE)
(72) Inventor: **Sebastian Simm, Munich (DE)**
(73) Assignee: **Bayerische Motoren Werke**
Aktiengesellschaft, Munich (DE)

D744,913 S * 12/2015 Leclercq D12/169
D772,123 S * 11/2016 Zurian D12/169
D804,371 S * 12/2017 Whitla D12/169

(**) Term: **15 Years**
(21) Appl. No.: **29/594,692**
(22) Filed: **Feb. 22, 2017**

FOREIGN PATENT DOCUMENTS

WO DM/066376 4/2005
WO DM/073504 10/2010

* cited by examiner

Primary Examiner — Melody N Brown

(74) *Attorney, Agent, or Firm* — Crowell & Moring LLP

(30) **Foreign Application Priority Data**

Aug. 23, 2016 (DE) 40 2016 101 022

(51) **LOC (11) Cl.** **12-16**

(52) **U.S. Cl.**
USPC **D12/169**

(58) **Field of Classification Search**
USPC D12/169, 216, 90-92, 86, 171, 196, 163;
293/102, 113, 115, 117, 120; 296/180.1,
296/180.2
CPC B60R 19/02; B60R 19/04; B62D 25/08
See application file for complete search history.

(57) **CLAIM**

The ornamental design for a rear bumper for a vehicle, as shown and described.

DESCRIPTION

This application contains subject matter related to the following co-pending U.S. design patent applications:

Application Ser. No. 29/594,683, filed herewith and entitled "Vehicle, Toy, and/or Replicas Thereof";

Application Ser. No. 29/594,694, filed herewith and entitled "Rear Bumper for a Vehicle"; and,

Application Ser. No. 29/594,696, filed herewith and entitled "Rear Bumper for a Vehicle".

FIG. 1 is a front view of a rear bumper for a vehicle according to the design;

FIG. 2 is a left perspective view thereof;

FIG. 3 is a right perspective view thereof;

FIG. 4 is a left side view thereof;

FIG. 5 is a right side view thereof;

FIG. 6 is a top view thereof;

FIG. 7 is a bottom view thereof; and,

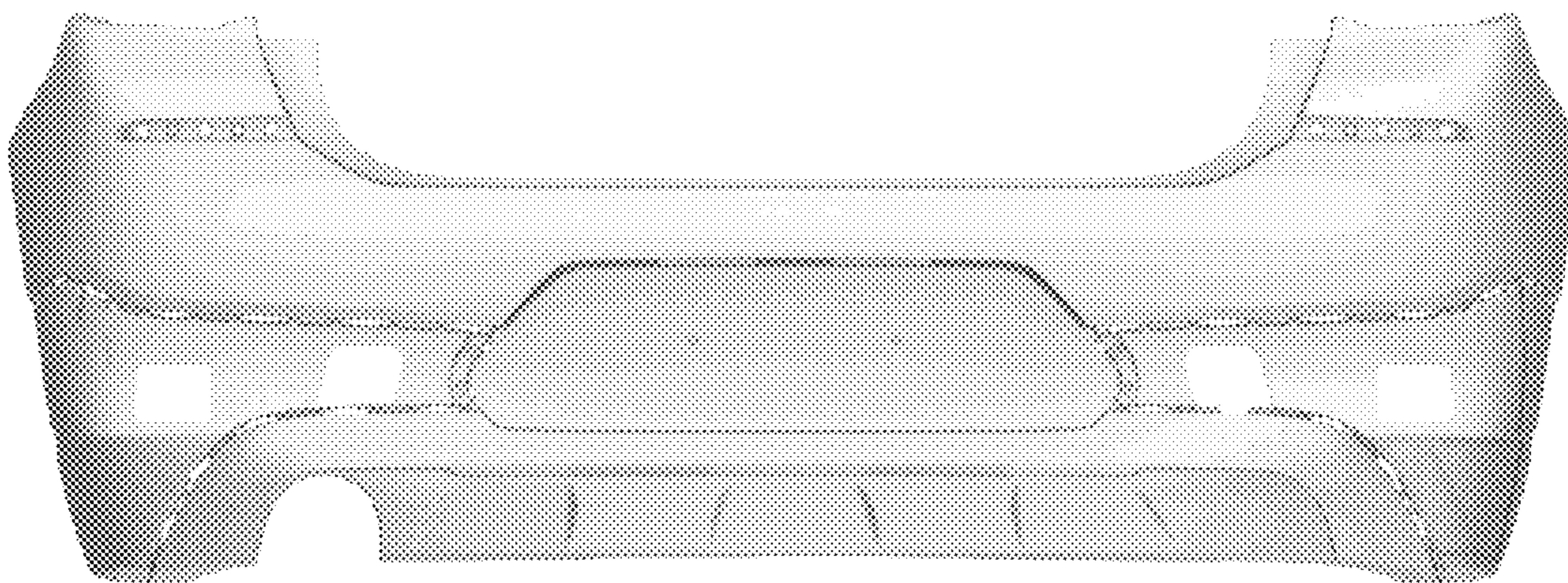
FIG. 8 is a rear view thereof.

(56) **References Cited**

U.S. PATENT DOCUMENTS

D639,215 S 6/2011 Faghihzadeh
D715,708 S * 10/2014 Mays D12/169
D721,993 S * 2/2015 Nordmann D12/169
D738,271 S * 9/2015 Glover D12/169
D740,727 S * 10/2015 Nakamura D12/169

1 Claim, 8 Drawing Sheets



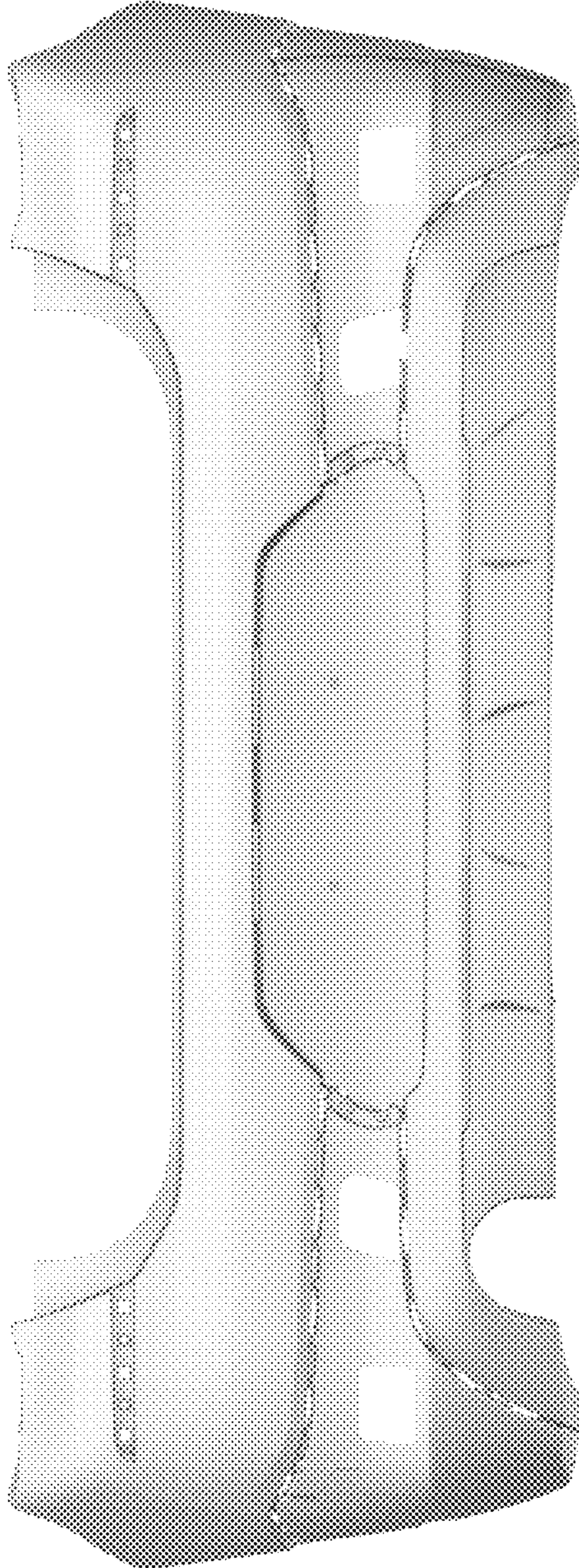


Fig. 1

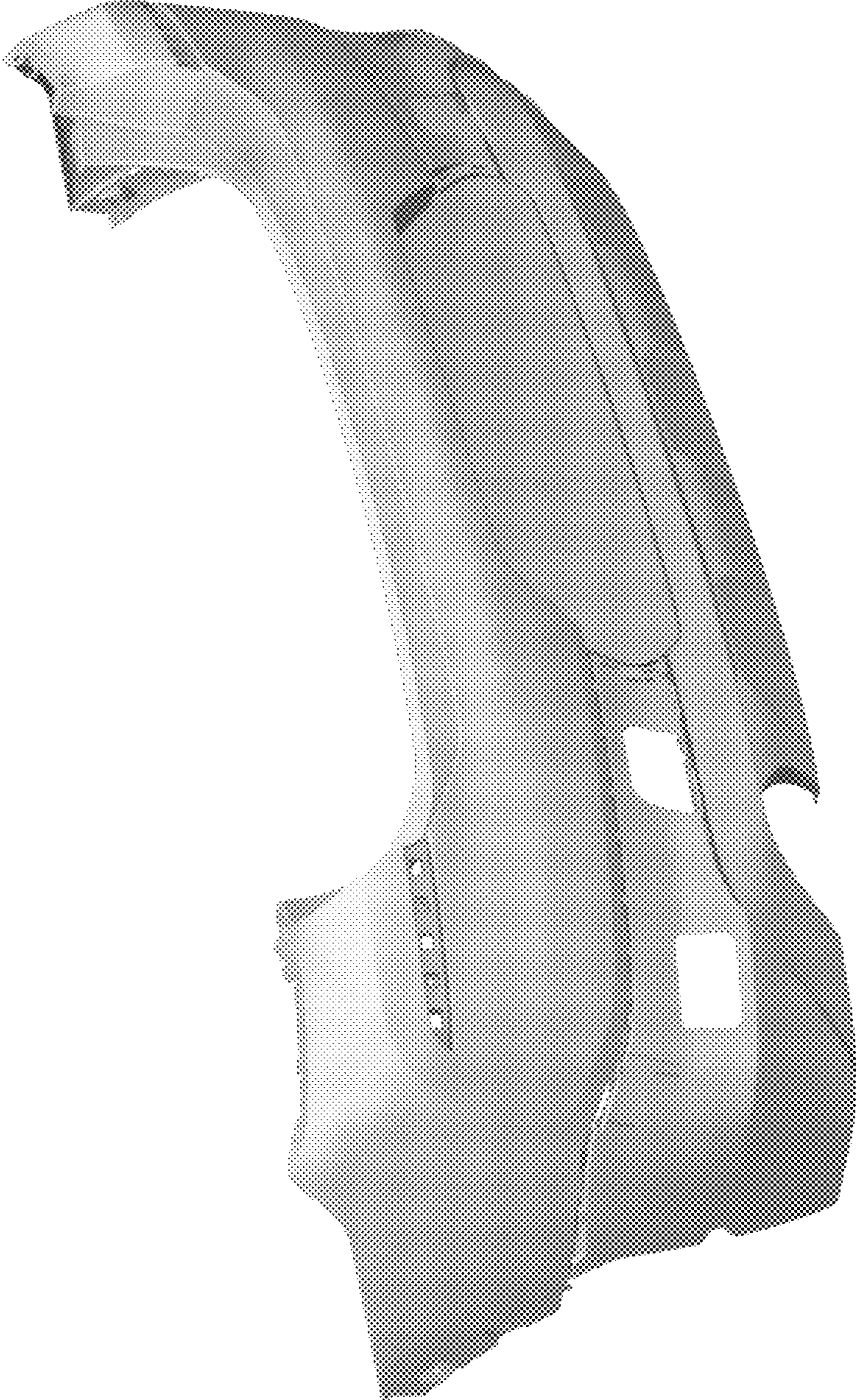


Fig. 2

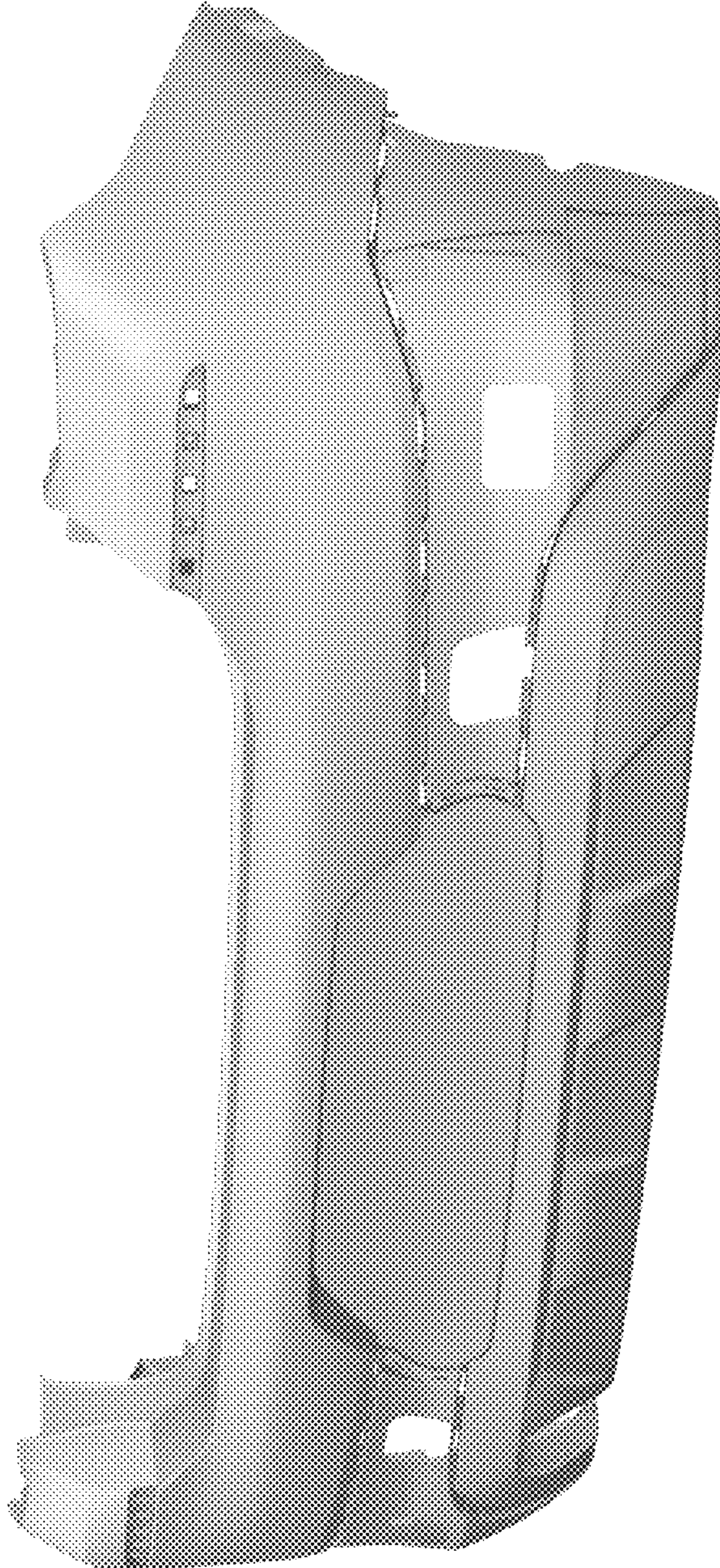


Fig. 3

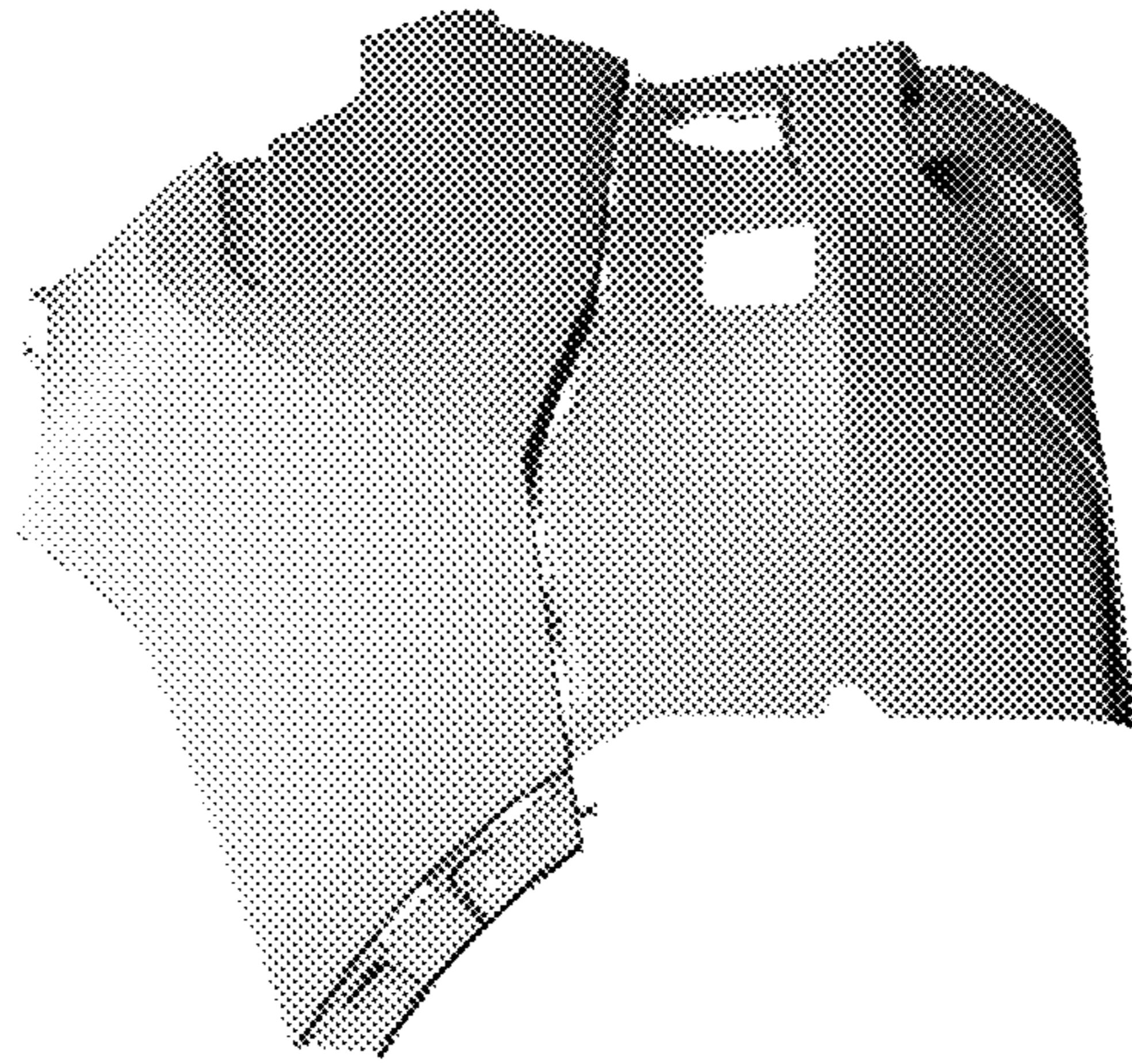


Fig. 4

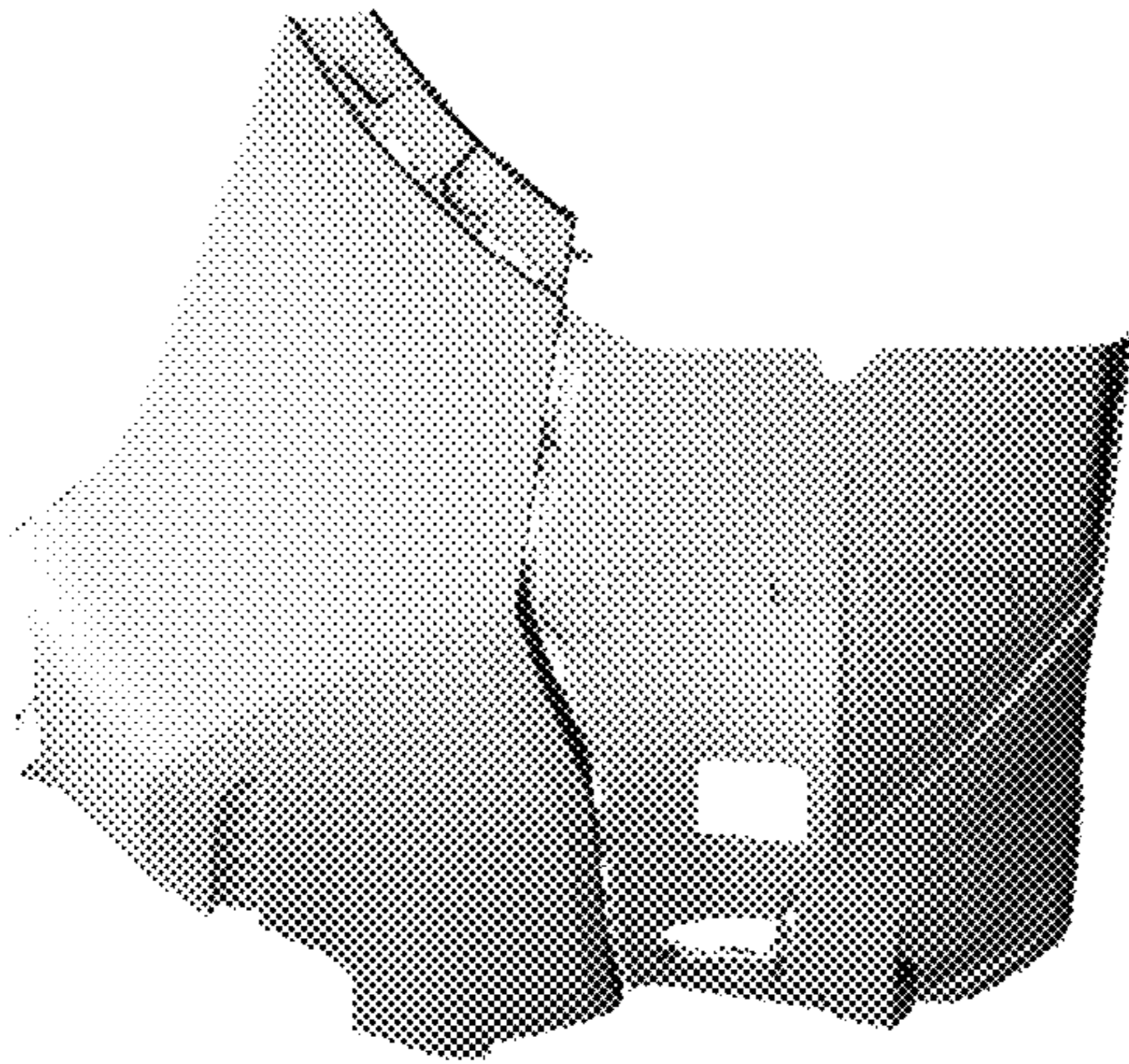


Fig. 5

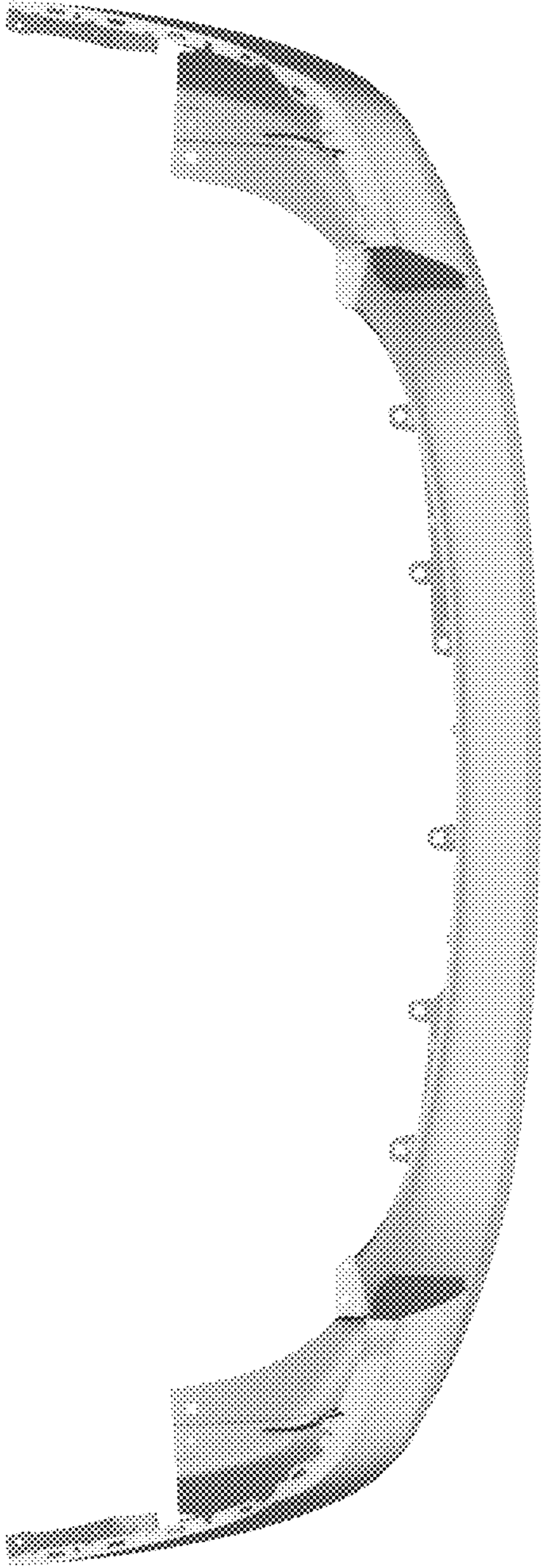


Fig. 6

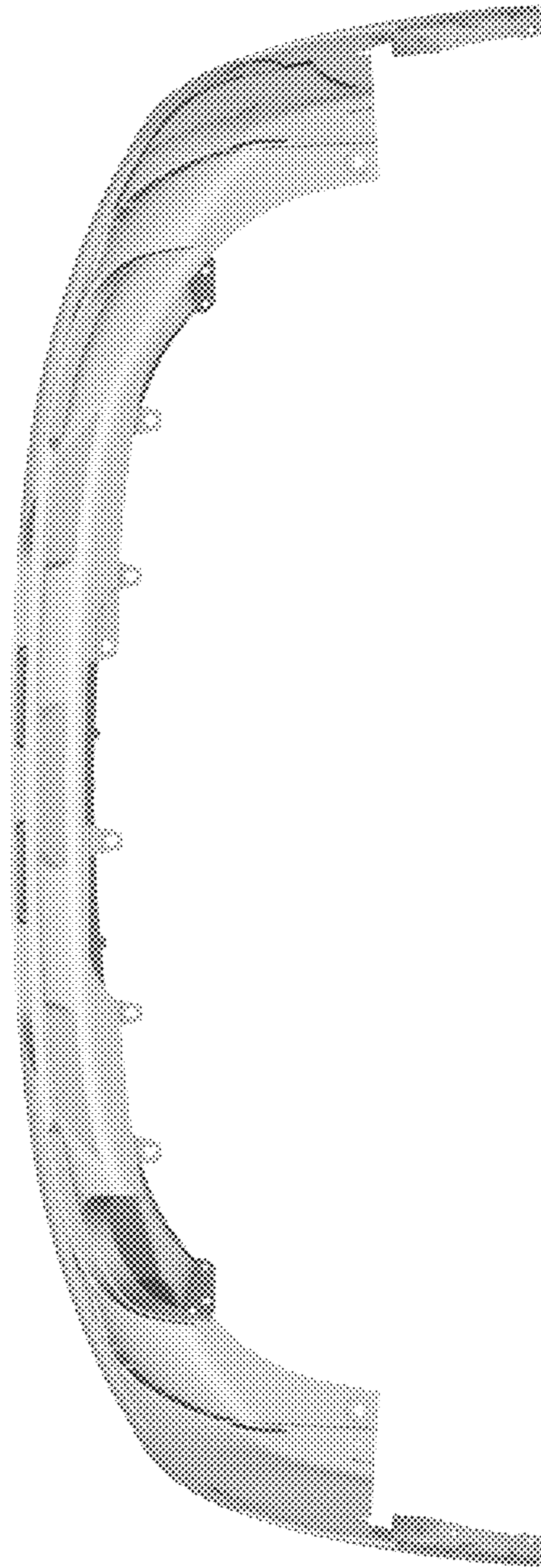


Fig. 7

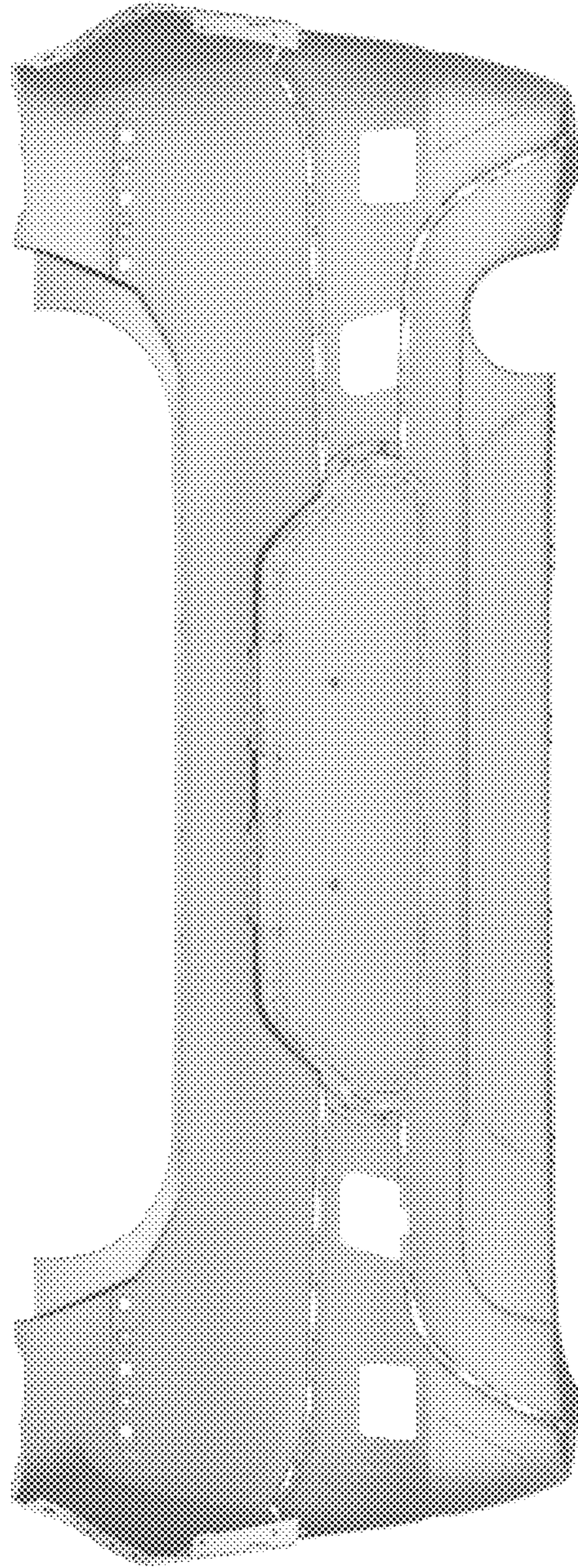


Fig. 8