



US00D823738S

(12) **United States Design Patent**
Kim

(10) **Patent No.:** **US D823,738 S**

(45) **Date of Patent:** **** Jul. 24, 2018**

(54) **VEHICLE GRILLE**

(71) Applicant: **GM GLOBAL TECHNOLOGY OPERATIONS LLC**, Detroit, MI (US)

(72) Inventor: **Wonkyu Kim**, Troy, MI (US)

(73) Assignee: **GM Global Technology Operations LLC**, Detroit, MI (US)

(**) Term: **15 Years**

(21) Appl. No.: **29/592,674**

(22) Filed: **Feb. 1, 2017**

(51) **LOC (11) Cl.** **12-16**

(52) **U.S. Cl.**
USPC **D12/163**

(58) **Field of Classification Search**
USPC D12/86, 90, 91, 92, 163, 169, 171, 196, D12/216
CPC B60R 19/02; B60R 19/04; B62D 25/00; B62D 25/06; B62D 25/08; B62D 35/00
See application file for complete search history.

(56) **References Cited**

U.S. PATENT DOCUMENTS

6,328,358 B1 * 12/2001 Berweiler B60R 19/52 180/68.6

D570,742 S 6/2008 Takagi et al.

D592,105 S 5/2009 Dean et al.

D597,447 S 8/2009 Folden

D600,595 S 9/2009 Nakamura et al.

D601,925 S 10/2009 O'Donnell

D603,755 S 11/2009 Peters

D604,203 S 11/2009 O'Donnell

D605,082 S 12/2009 Munson

D605,083 S 12/2009 Manoogian, II et al.

D605,977 S 12/2009 Zipfel et al.

D605,978 S 12/2009 Wolff et al.

D608,249 S 1/2010 Peters

D608,690 S 1/2010 Folden et al.

D608,691 S 1/2010 Zak, Jr. et al.

D609,608 S 2/2010 Boniface et al.

D611,387 S 3/2010 Thompson et al.

D611,879 S 3/2010 Kim et al.

D612,297 S 3/2010 Peters et al.

D613,645 S 4/2010 Song et al.

D615,458 S 5/2010 Thompson et al.

D618,595 S 6/2010 Ware et al.

D619,508 S * 7/2010 Choi D12/164

D623,090 S 9/2010 Cox et al.

D627,262 S 11/2010 Ikeda et al.

D633,012 S * 2/2011 Bauer D12/163

D635,488 S 4/2011 Phipps

D635,897 S * 4/2011 Frei D12/163

D640,610 S * 6/2011 Schell D12/163

D644,147 S 8/2011 Suh et al.

D644,567 S 9/2011 Kozub

D645,795 S * 9/2011 Ishibashi D12/163

D657,718 S 4/2012 Zipfel et al.

D659,052 S 5/2012 Ware et al.

(Continued)

Primary Examiner — Susan Bennett Hattan
Assistant Examiner — Suzanne E Tisdell
 (74) *Attorney, Agent, or Firm* — Reising Ethington P.C.

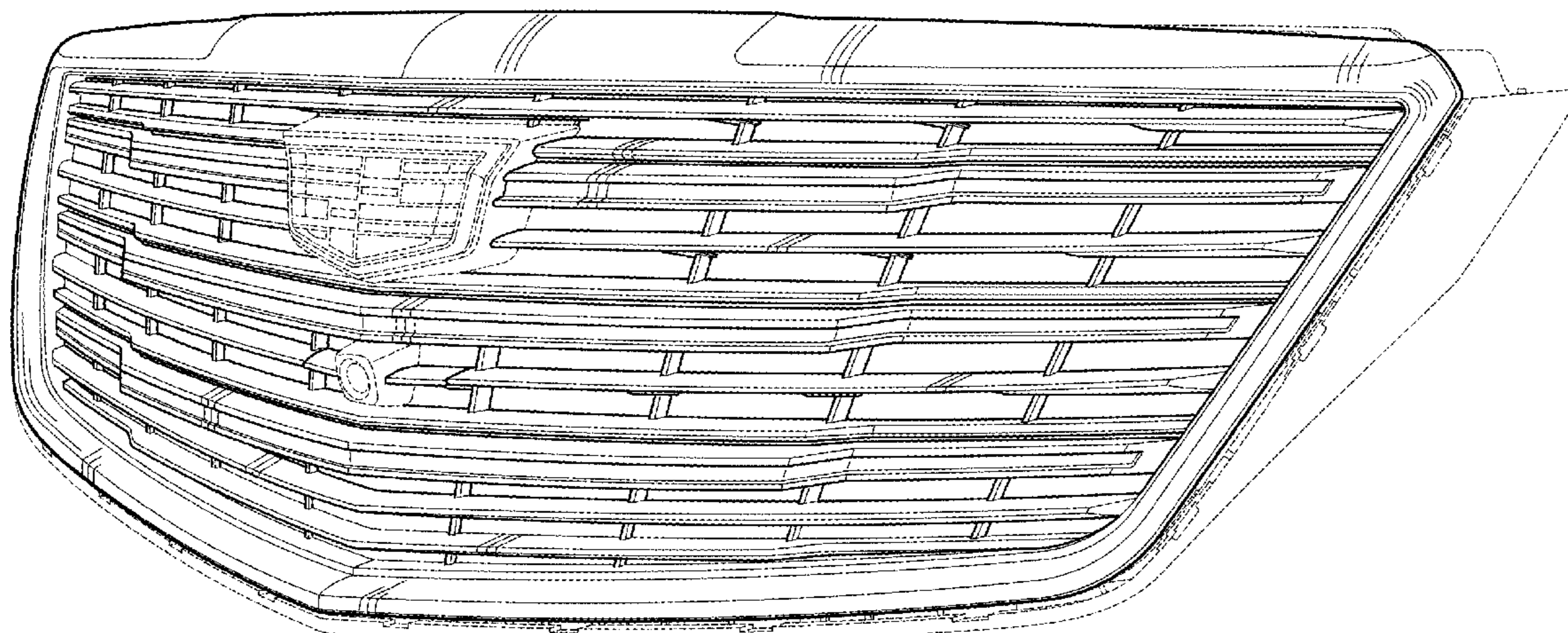
(57) **CLAIM**

The ornamental design for a vehicle grille, as shown and described.

DESCRIPTION

FIG. 1 is a perspective view of the vehicle grille;
 FIG. 2 is a front view thereof;
 FIG. 3 is a left side view thereof (where the right side view is substantially a mirror image of the left side view, with the exception of the vehicle emblem depicted in broken lines); and,
 FIG. 4 is a top view thereof.
 In the drawings, the portions shown by broken lines form no part of the claimed design.

1 Claim, 3 Drawing Sheets



(56)

References Cited

U.S. PATENT DOCUMENTS

D659,053 S	5/2012	Ware et al.	
D663,656 S *	7/2012	Frenzel	D12/163
D668,182 S	10/2012	Franco et al.	
D668,183 S	10/2012	Smart	
D678,820 S	3/2013	Son et al.	
D678,821 S	3/2013	Ikeda et al.	
D680,909 S	4/2013	Munson et al.	
D680,910 S	4/2013	David	
D684,899 S	6/2013	Baker	
D686,536 S	7/2013	McCabe et al.	
D687,750 S *	8/2013	Frei	D12/163
D687,751 S *	8/2013	Futschik	D12/163
D692,358 S *	10/2013	Nakamuta	D12/190
D692,798 S	11/2013	Thurber	
D692,799 S	11/2013	Smith et al.	
D696,157 S	12/2013	Loeb	
D699,163 S *	2/2014	Janssen	D12/164
D699,629 S	2/2014	Ikeda et al.	
D700,871 S	3/2014	O'Donnell et al.	
D701,798 S *	4/2014	Futschik	D12/164
D703,103 S	4/2014	Lee	
D704,103 S	5/2014	Mack et al.	
D705,132 S	5/2014	Ware et al.	
D705,699 S	5/2014	Ware et al.	
D711,790 S *	8/2014	Futschik	D12/164
D713,298 S	9/2014	Dyson	
D713,764 S	9/2014	Ferlazzo et al.	
D716,696 S	11/2014	Thole et al.	
D716,706 S	11/2014	Thole et al.	
D716,709 S	11/2014	Thole et al.	
D717,696 S	11/2014	Thole et al.	
D718,189 S	11/2014	Krieg et al.	
D718,683 S	12/2014	Thole et al.	
D721,019 S *	1/2015	Pevovar	D12/163
D722,282 S	2/2015	Loeb	
D722,533 S	2/2015	Thole et al.	
D722,534 S	2/2015	Munson et al.	
D724,510 S	3/2015	McMahan et al.	
D725,001 S	3/2015	McMahan et al.	
D726,591 S	4/2015	Jacob	
D730,776 S	6/2015	Smart	
D730,783 S	6/2015	Henriques et al.	
D732,427 S	6/2015	Loeb	
D732,429 S	6/2015	Loeb	
D732,430 S	6/2015	Loeb	
D732,431 S	6/2015	Loeb	
D732,432 S	6/2015	Aengenheyster	
D732,433 S	6/2015	Aengenheyster	
D732,435 S	6/2015	Mackay	
D733,002 S	6/2015	Loeb	
D735,611 S	8/2015	Aengenheyster	
D735,627 S	8/2015	Smith	
D736,451 S	8/2015	Smith	
D739,306 S	9/2015	McMahan et al.	
D739,317 S	9/2015	McMahan et al.	
D741,223 S	10/2015	Kim et al.	
D743,309 S	11/2015	Thole et al.	
D743,313 S	11/2015	Smith et al.	
D743,314 S	11/2015	Thole et al.	
D743,857 S	11/2015	McMahan et al.	
D744,158 S	11/2015	Willett et al.	
D745,086 S	12/2015	Finos et al.	
D745,719 S	12/2015	Boniface et al.	
D745,725 S	12/2015	McMahan et al.	
D745,726 S	12/2015	McMahan et al.	
D745,837 S	12/2015	Smith et al.	
D746,726 S	1/2016	Smith et al.	
D746,727 S	1/2016	Smith et al.	
D746,728 S	1/2016	Smith et al.	
D746,729 S	1/2016	Boniface et al.	
D746,730 S	1/2016	Kim et al.	
D747,514 S	1/2016	McMahan et al.	
D747,515 S	1/2016	McMahan et al.	
D747,819 S	1/2016	Thole et al.	
D749,021 S	2/2016	Boniface et al.	
D749,026 S	2/2016	Smith et al.	
D749,027 S	2/2016	McMahan et al.	
D749,246 S	2/2016	Thole et al.	
D749,249 S	2/2016	Thole et al.	
D749,250 S	2/2016	Thole et al.	
D749,985 S	2/2016	Kozub et al.	
D749,997 S	2/2016	McMahan et al.	
D750,001 S	2/2016	Thole et al.	
D753,032 S	4/2016	Smith et al.	
D753,033 S	4/2016	Thole et al.	
D753,034 S	4/2016	Thole et al.	
D753,035 S	4/2016	Boniface et al.	
D753,559 S	4/2016	McMahan et al.	
D753,560 S	4/2016	McMahan et al.	
D753,567 S	4/2016	Boniface et al.	
D754,571 S	4/2016	Boniface et al.	
D754,572 S	4/2016	McMahan et al.	
D755,088 S	5/2016	McMahan et al.	
D756,869 S	5/2016	McMahan et al.	
D758,271 S	6/2016	McMahan et al.	
D759,551 S *	6/2016	Nakahara	D12/163
D764,975 S	8/2016	Aengenheyster	
D764,976 S	8/2016	Aengenheyster	
D767,449 S	9/2016	Pevovar et al.	
D767,450 S	9/2016	Lee et al.	
D767,451 S	9/2016	Kozub et al.	
D767,454 S	9/2016	McMahan et al.	
D767,458 S	9/2016	Kim	
D767,459 S	9/2016	Kim	
D767,460 S	9/2016	Kozub et al.	
D767,461 S	9/2016	Kozub et al.	
D771,528 S	11/2016	Smith et al.	
D771,529 S	11/2016	Thole et al.	
D771,532 S	11/2016	Kapitonov	
D771,533 S	11/2016	Kapitonov	
D772,766 S	11/2016	Kozub et al.	
D772,767 S	11/2016	Kim	
D773,084 S	11/2016	Kapitonov	
D773,086 S	11/2016	McCabe et al.	
D774,226 S	12/2016	McCabe et al.	
D775,003 S	12/2016	Pevovar et al.	
D775,007 S	12/2016	Thole et al.	
D775,010 S	12/2016	Kim et al.	
D775,049 S	12/2016	Scheer et al.	
D775,549 S	1/2017	Karras	
D775,554 S	1/2017	Kapitonov	
D776,020 S	1/2017	Kapitonov	
D776,581 S	1/2017	Pevovar et al.	
D776,583 S	1/2017	Scheer et al.	
D776,841 S	1/2017	Kozub et al.	
D776,843 S	1/2017	McCabe et al.	
D776,846 S	1/2017	Willett et al.	
D777,359 S	1/2017	Kozub et al.	
D777,360 S	1/2017	Kozub et al.	
D777,361 S	1/2017	Kozub et al.	
D777,604 S	1/2017	McNerney	
D777,605 S	1/2017	Ferlazzo et al.	
D777,620 S	1/2017	Pevovar et al.	
D777,621 S	1/2017	Kim	
D777,622 S	1/2017	Kozub et al.	
D777,628 S	1/2017	Kozub et al.	
D777,955 S	1/2017	Willett et al.	
D788,662 S *	6/2017	Minami	D12/190
D788,663 S *	6/2017	Minami	D12/190
D788,664 S *	6/2017	Minami	D12/190
D790,412 S *	6/2017	Dunford	D12/163
2004/0190985 A1 *	9/2004	Aigner	B60R 19/52 403/329
2005/0006928 A1 *	1/2005	Diehl	B60R 19/52 296/193.1
2006/0119115 A1 *	6/2006	Filip	B60R 19/52 293/115
2006/0237995 A1 *	10/2006	Huttenlocher	B60R 13/005 296/193.1
2008/0073920 A1 *	3/2008	Knauer	B60K 11/085 293/115
2008/0079271 A1 *	4/2008	Maruko	B60R 19/52 293/102

(56)

References Cited

U.S. PATENT DOCUMENTS

2009/0256397 A1* 10/2009 Bauernfeind B60K 13/02
296/193.1
2011/0070817 A1* 3/2011 Walters B60K 11/085
454/155
2015/0183313 A1* 7/2015 Bruckner B60K 11/085
180/68.1
2016/0272060 A1* 9/2016 Edwards B60K 11/085
2017/0050509 A1* 2/2017 Aizawa B60K 11/085
2017/0129430 A1* 5/2017 Aizawa B60R 19/18
2017/0137954 A1* 5/2017 Hashimoto B60K 11/08

* cited by examiner

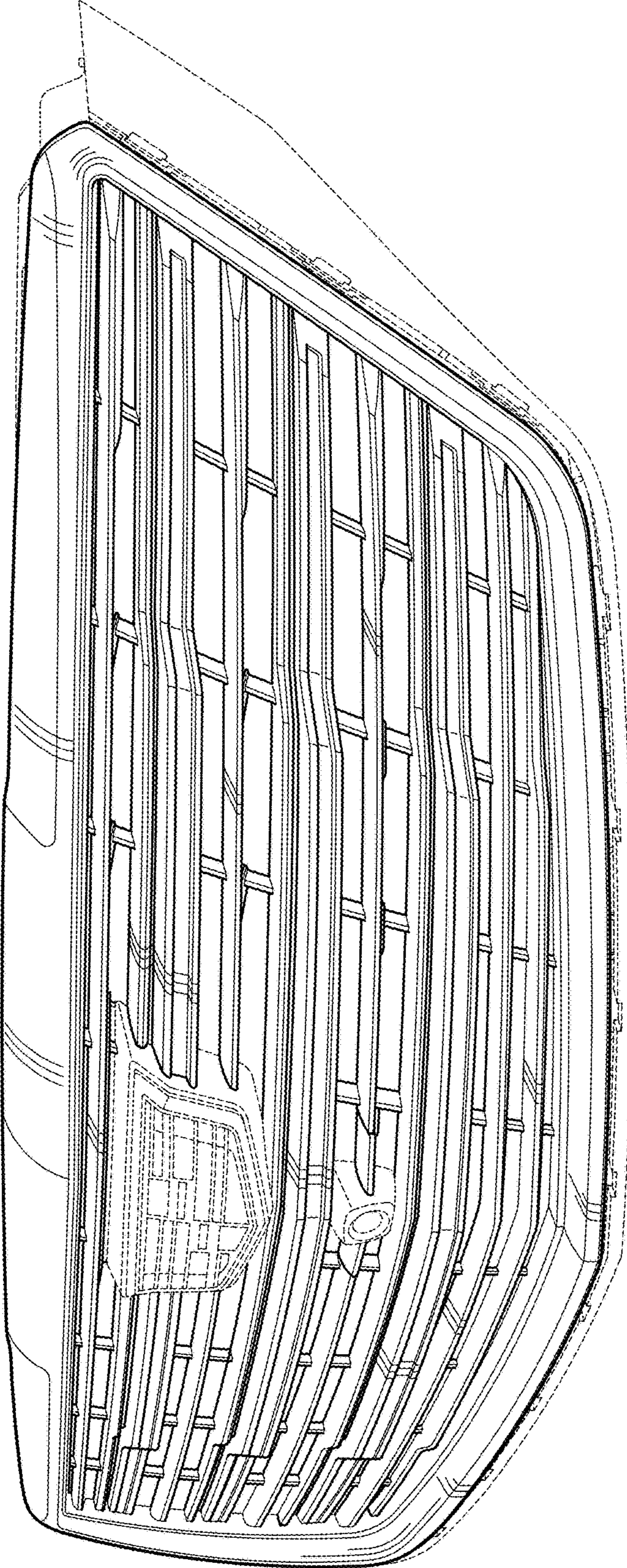


FIG. 1

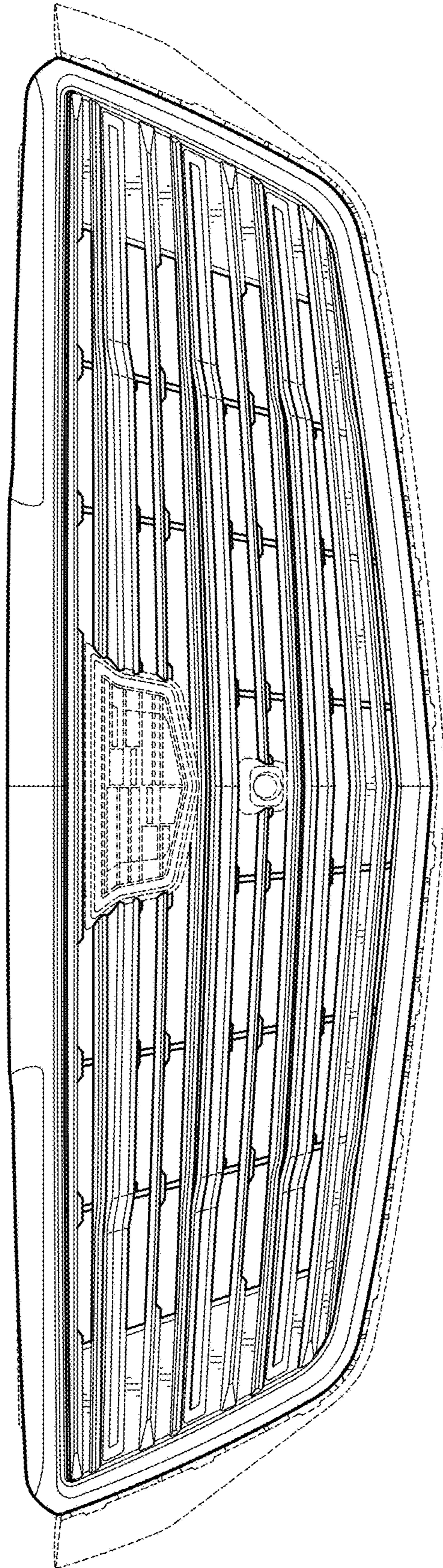


FIG. 2

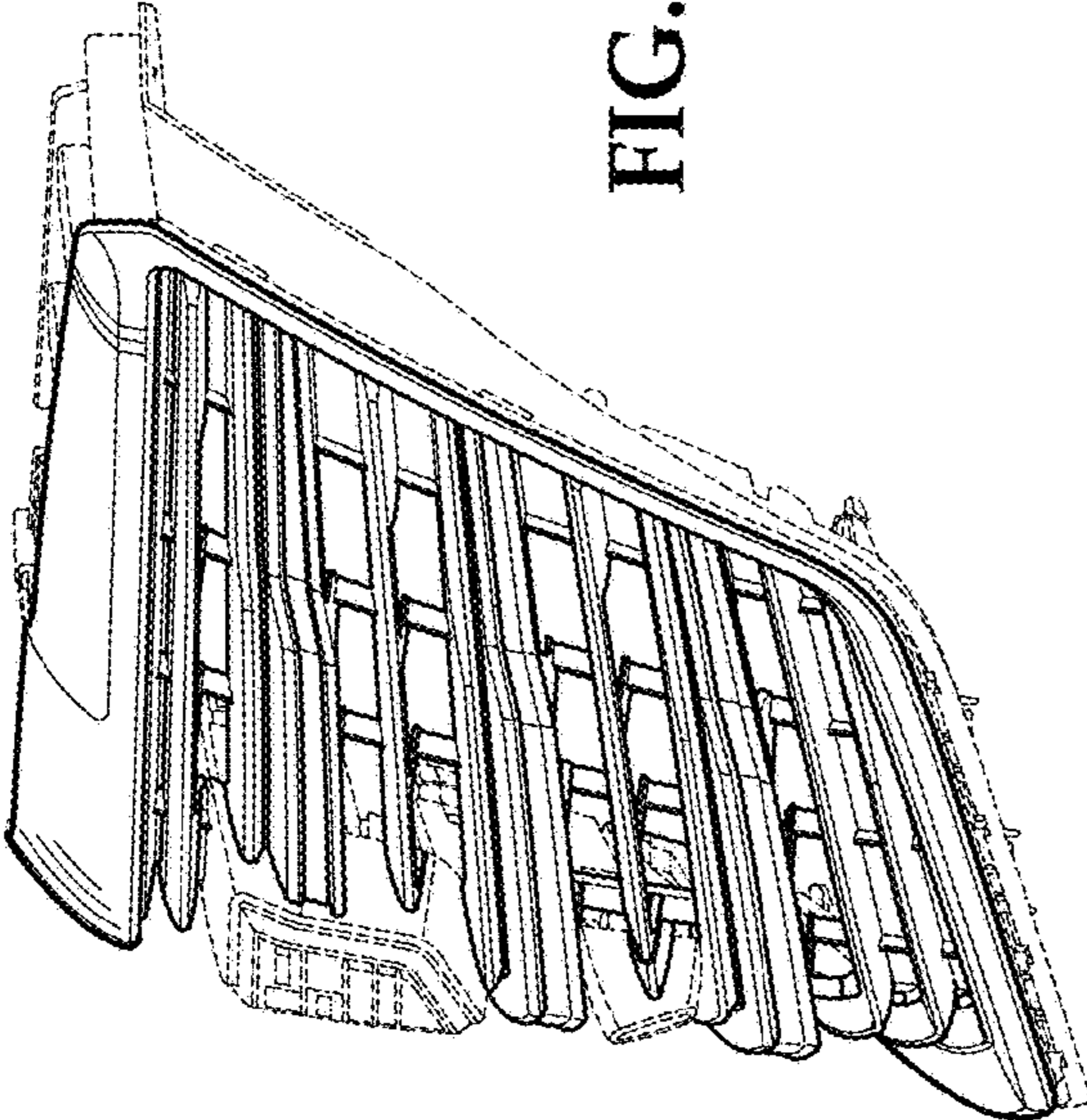


FIG. 3

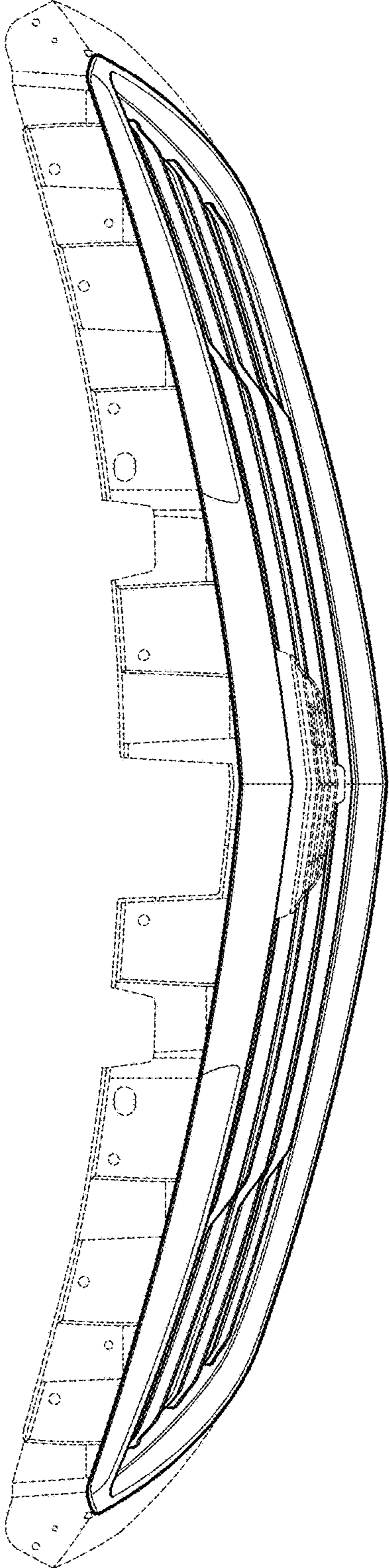


FIG. 4