



US00D823736S

(12) **United States Design Patent** (10) **Patent No.:** **US D823,736 S**
Montes et al. (45) **Date of Patent:** **** Jul. 24, 2018**

(54) **HITCH ADAPTER** 2015/0328945 A1* 11/2015 Drake B60D 1/52
280/511

(71) Applicant: **Agency 6 Inc.**, Roseville, CA (US) * cited by examiner

(72) Inventors: **Kenneth Montes**, Roseville, CA (US);
Leon A. Wauters, Roseville, CA (US) *Primary Examiner* — Karen S Acker
Assistant Examiner — Jerry Shiuan-Hua Hsu

(73) Assignee: **Agency 6 Inc.**, Roseville, CA (US) (74) *Attorney, Agent, or Firm* — Law Office of Andrei D Popovici, PC

(**) Term: **15 Years** (57) **CLAIM**

(21) Appl. No.: **29/583,365** What is claimed is the ornamental design for a hitch adapter, as shown.

(22) Filed: **Nov. 4, 2016** (58) **FIELD OF CLASSIFICATION SEARCH**

(51) **LOC (11) Cl.** **12-16**

(52) **U.S. Cl.**
USPC **D12/162**

(58) **Field of Classification Search**
USPC D12/400, 199, 161, 162
CPC ... B60D 1/04; B60D 1/14; B60D 1/40; B60D 1/52; B60D 1/243
See application file for complete search history.

(56) **References Cited**

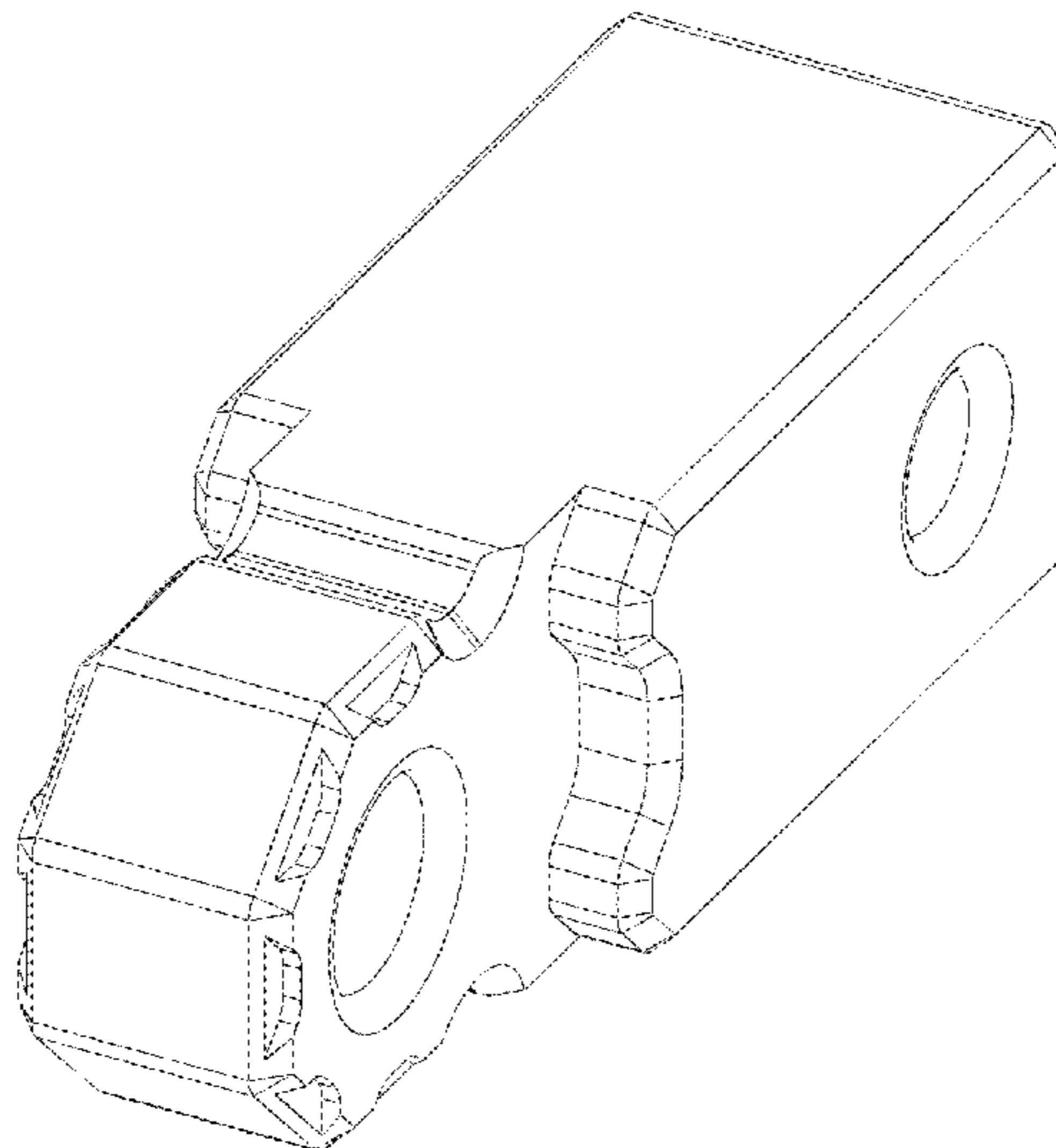
U.S. PATENT DOCUMENTS

D235,762 S *	7/1975	Genzel	D12/162
5,277,447 A *	1/1994	Blaser	B60D 1/40 280/478.1
D369,580 S *	5/1996	Hartwig	D12/162
D401,196 S *	11/1998	Hartwig	D12/162
D526,602 S *	8/2006	Sparkes	D12/162
7,641,214 B2 *	1/2010	Kahl	B60D 1/243 280/446.1
7,862,066 B2 *	1/2011	Smith	B60D 1/52 280/416.1
D662,012 S *	6/2012	Gugino	D12/162
D688,986 S *	9/2013	Duffy	D12/162
9,114,679 B2 *	8/2015	Hood	B60D 1/14
D748,538 S *	2/2016	Waldner	D12/162
2002/0140206 A1 *	10/2002	Lloyd	B60D 1/04 280/491.5

DESCRIPTION

FIG. 1 shows an isometric view of a hitch adapter according to a first embodiment.
 FIG. 2 shows an enlarged front plan view of a hitch adapter according to the first embodiment.
 FIG. 3 shows an enlarged back plan view of a hitch adapter according to the first embodiment.
 FIG. 4 shows a right side plan view, the left side being a mirror image thereof, of a hitch adapter according to the first embodiment.
 FIG. 5 shows a top plan view, the bottom plan view being a mirror image thereof, of a hitch adapter according to the first embodiment.
 FIG. 6 shows an isometric view of a hitch adapter according to a second embodiment.
 FIG. 7 shows an enlarged front plan view of a hitch adapter according to the second embodiment.
 FIG. 8 shows an enlarged back plan view of a hitch adapter according to the second embodiment.
 FIG. 9 shows a right side plan view, the left side being a mirror image thereof, of a hitch adapter according to the second embodiment; and,
 FIG. 10 shows a top plan view, the bottom plan view being a mirror image thereof, of a hitch adapter according to the second embodiment.

1 Claim, 10 Drawing Sheets



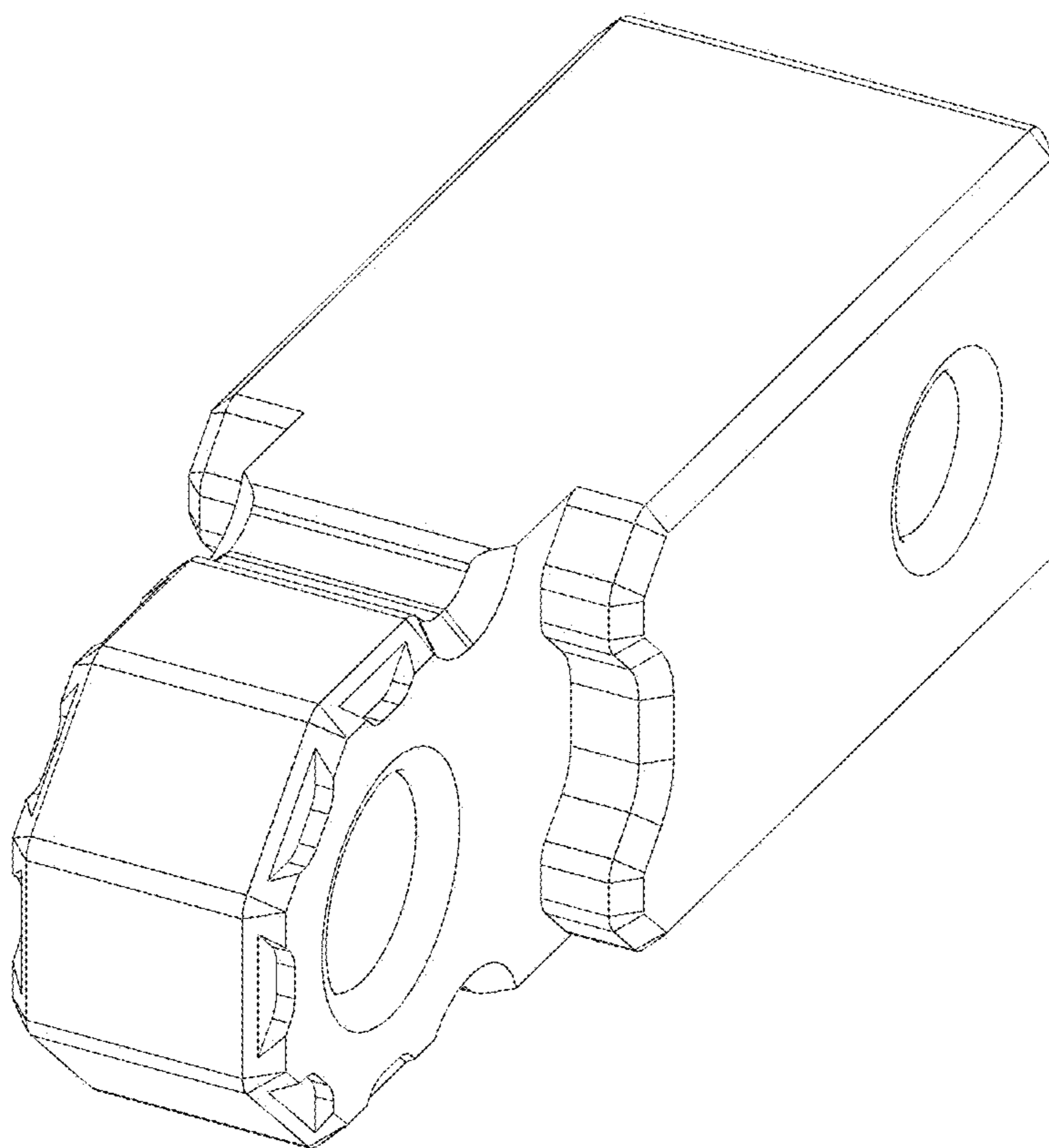


FIG. 1

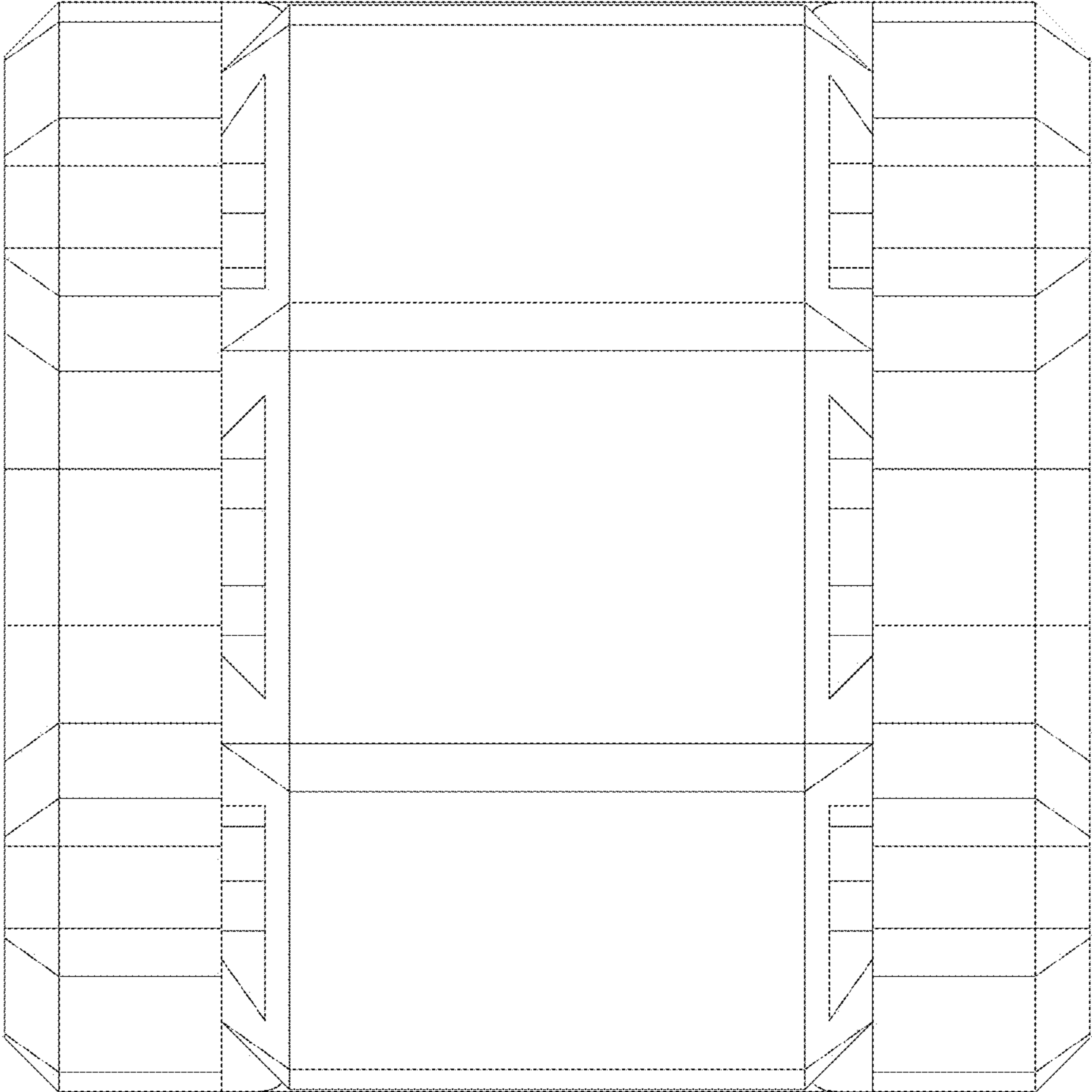


FIG. 2

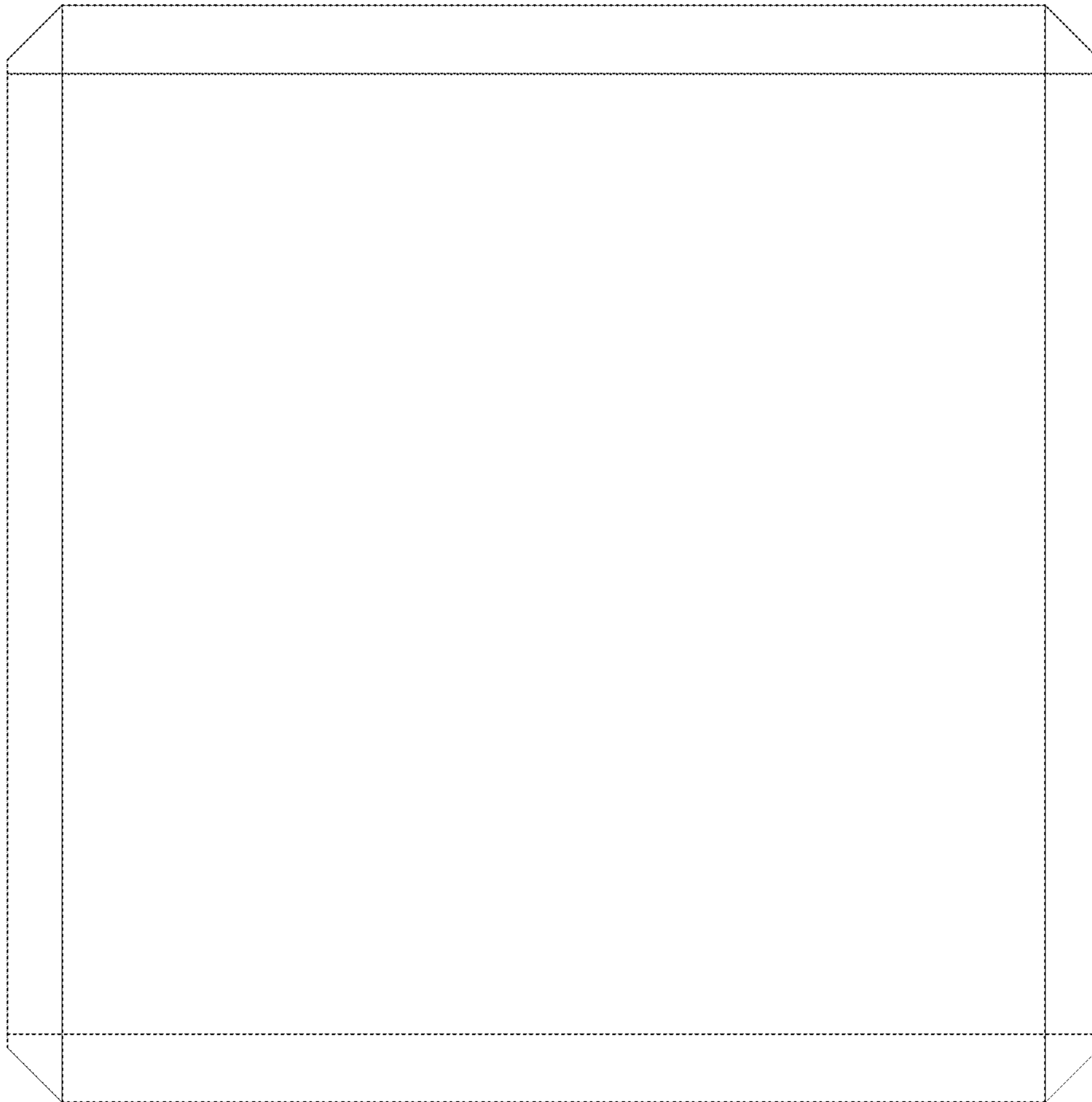


FIG. 3

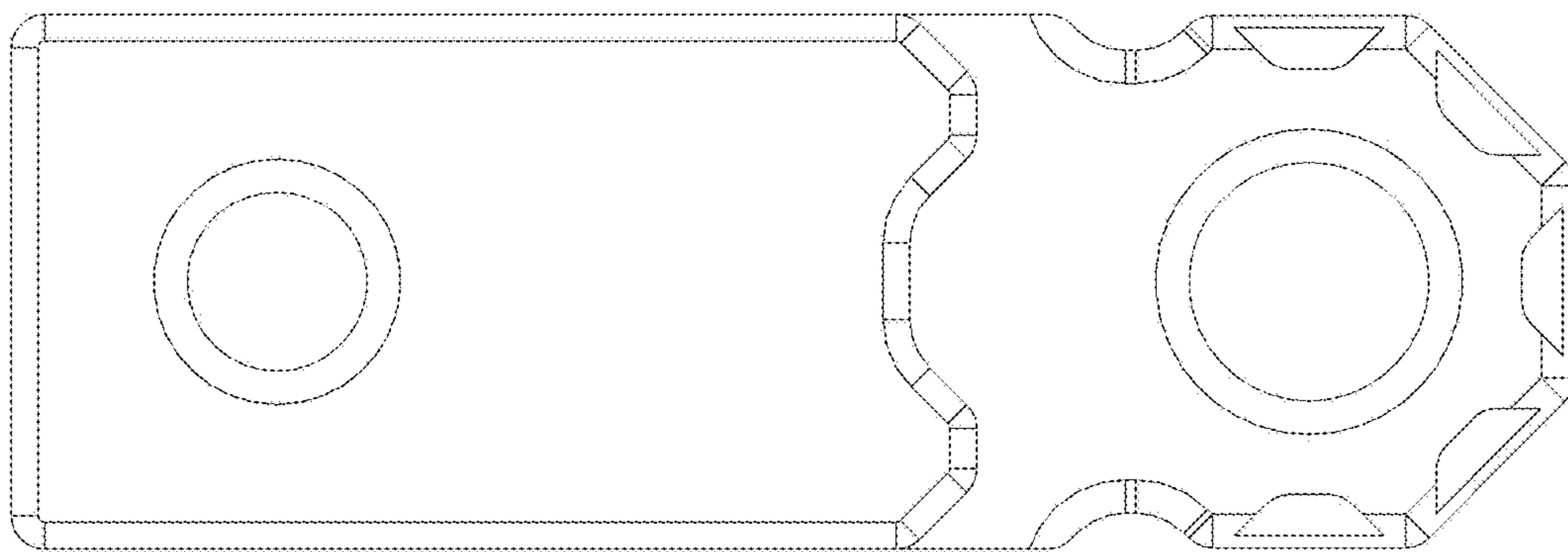


FIG. 4

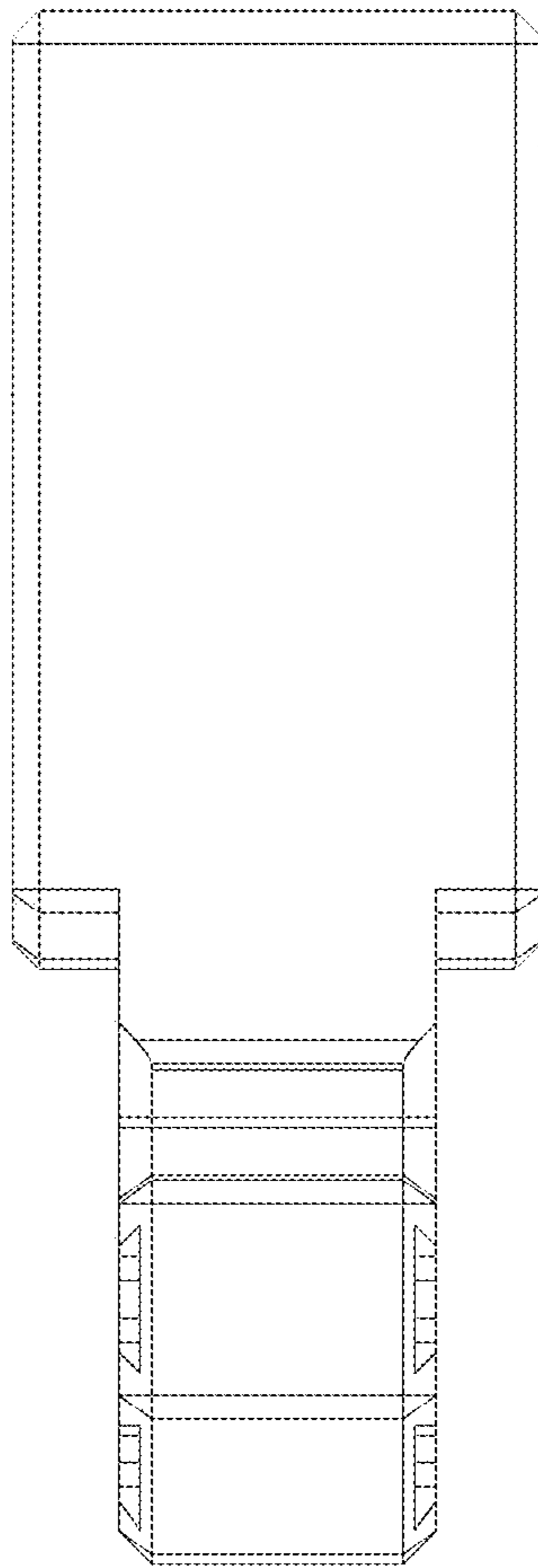


FIG. 5

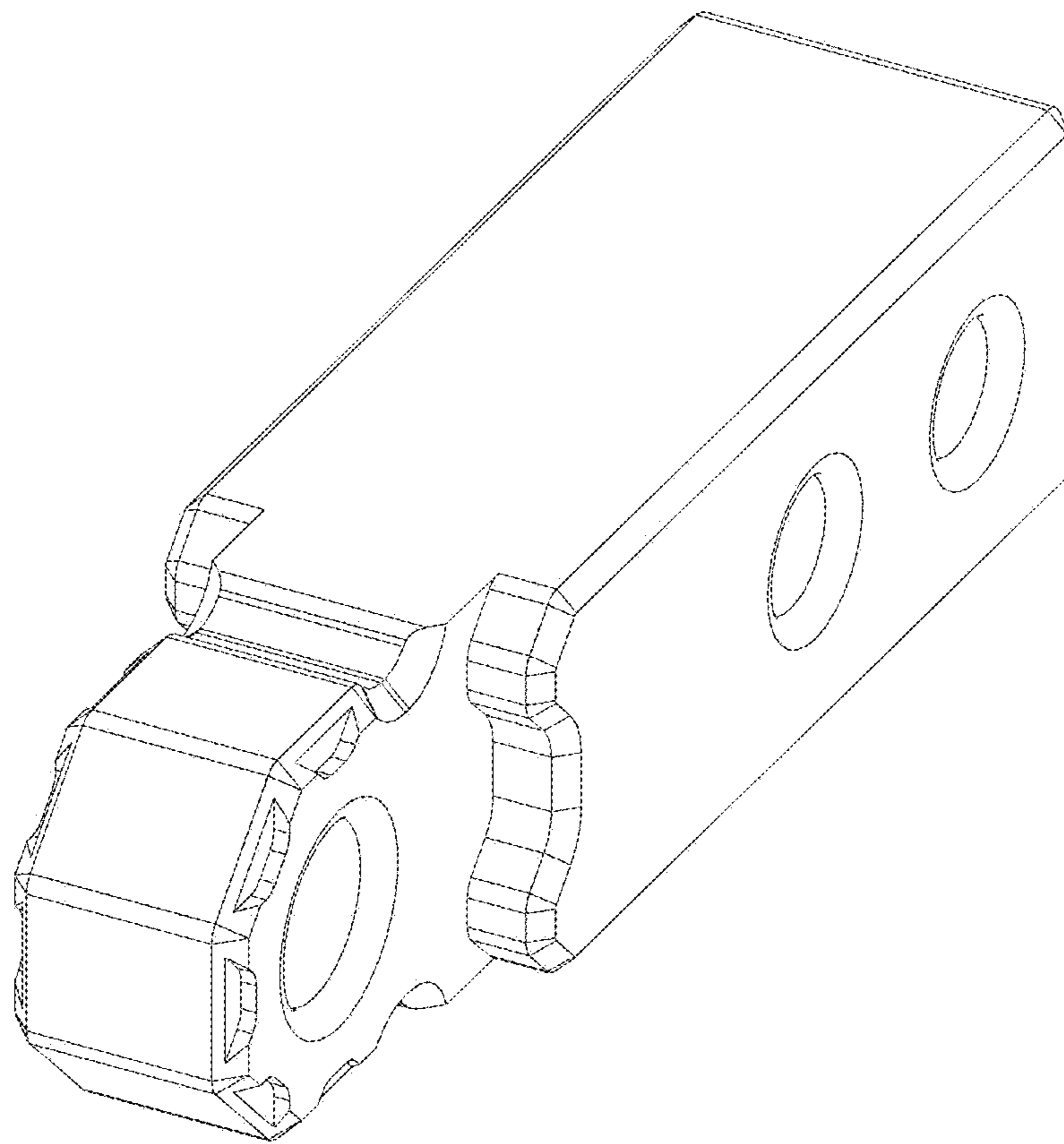


FIG. 6

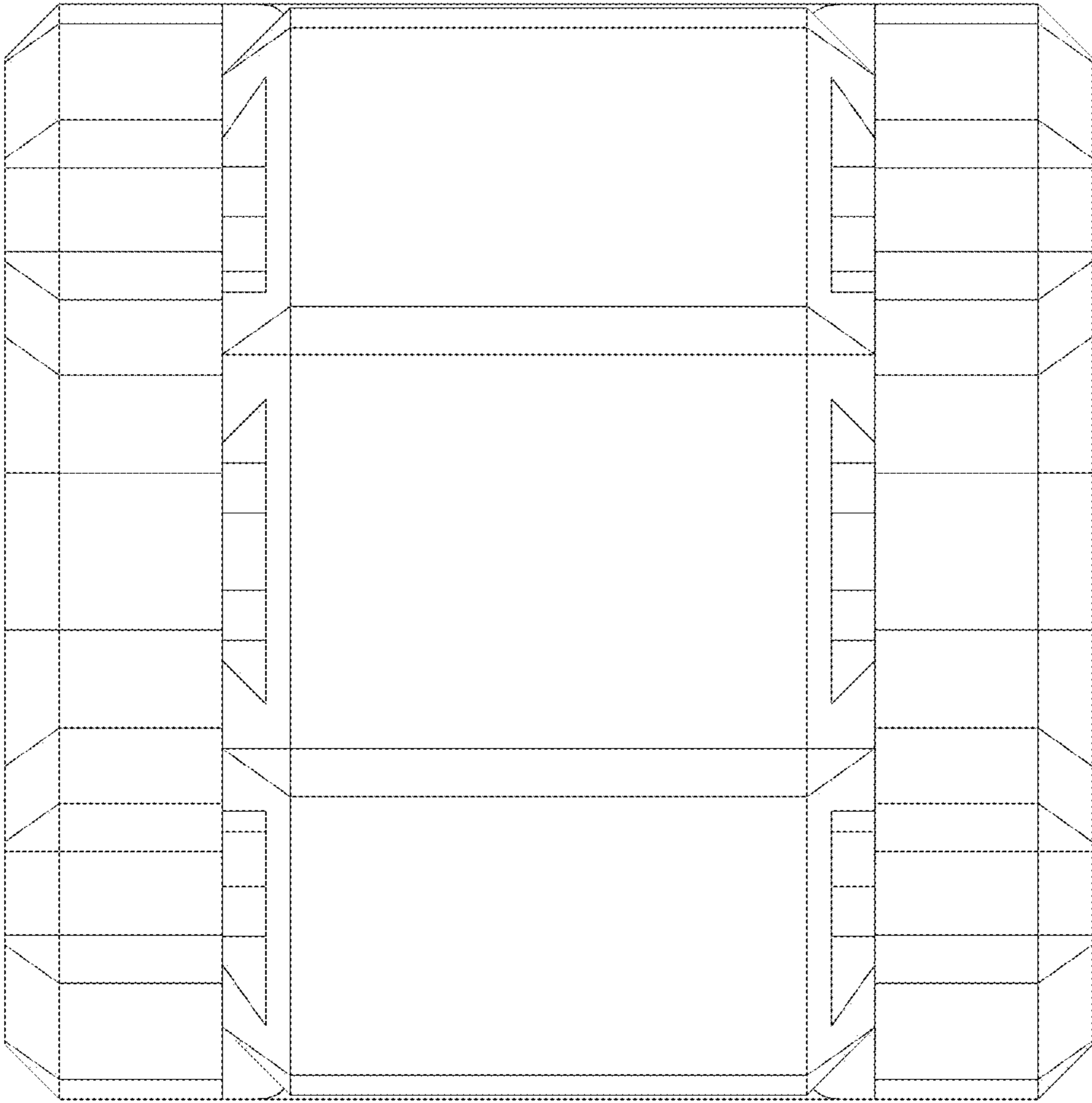


FIG. 7

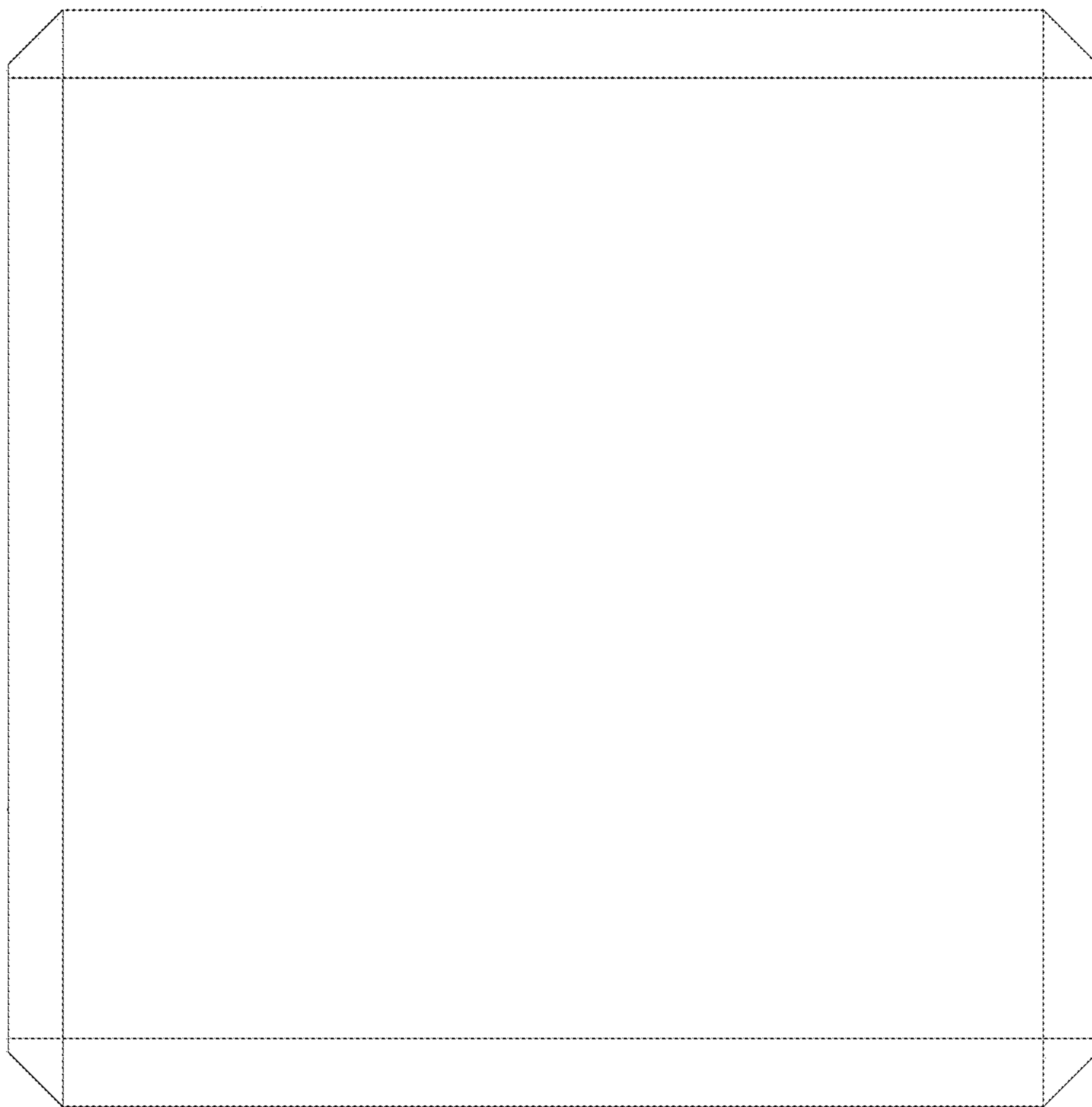


FIG. 8

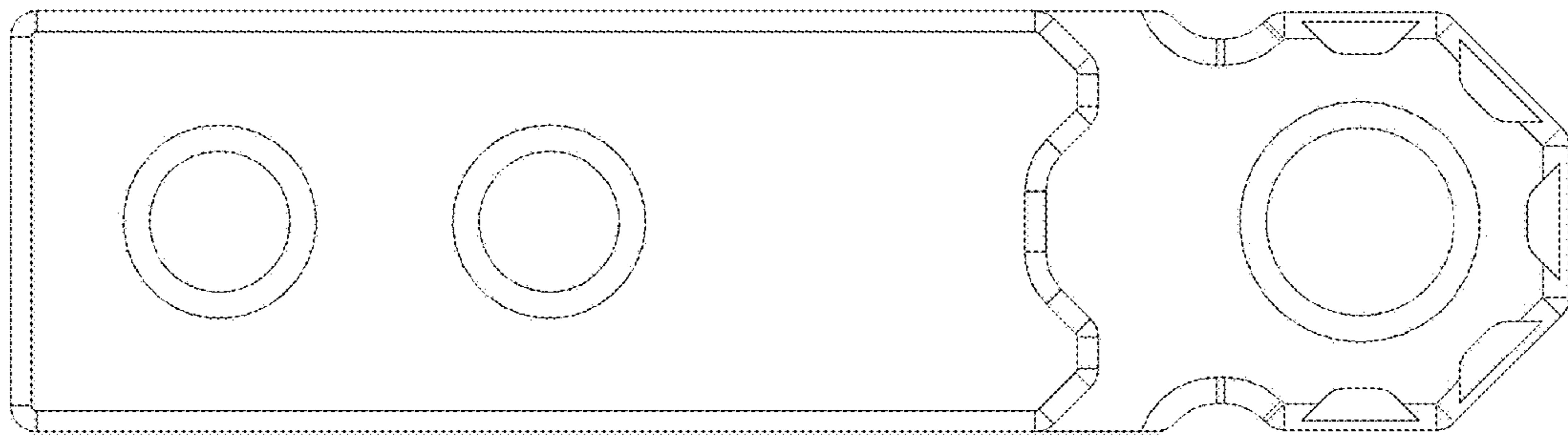


FIG. 9

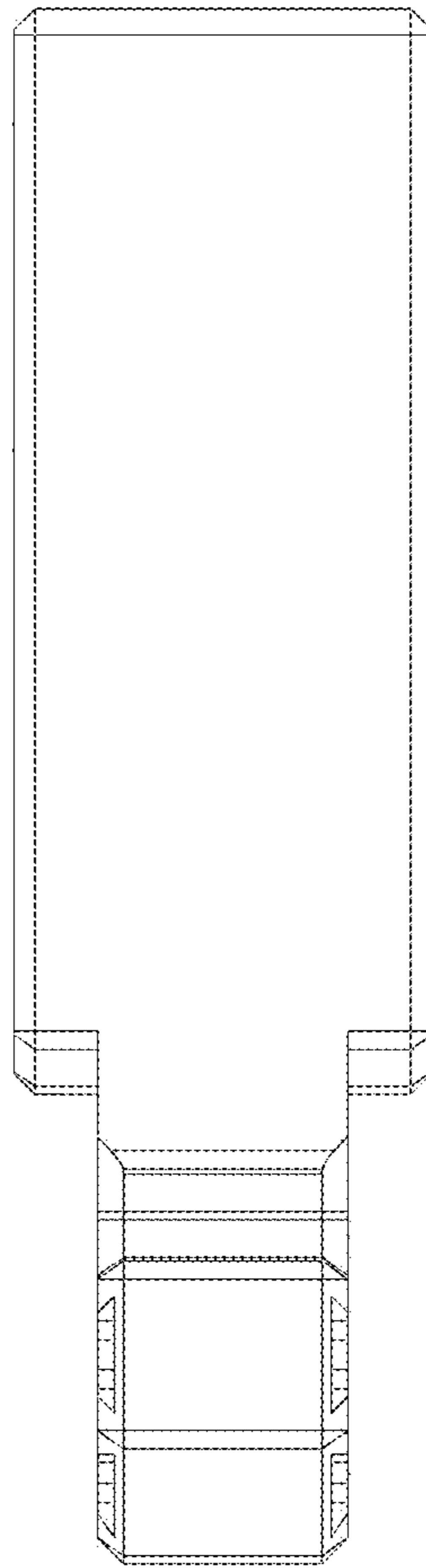


FIG. 10