



US00D823735S

(12) **United States Design Patent**
Carlini

(10) **Patent No.:** **US D823,735 S**

(45) **Date of Patent:** **** Jul. 24, 2018**

- (54) **CONSTANT VELOCITY JOINT**
- (71) Applicant: **Aircraft Gear Corporation**, Loves Park, IL (US)
- (72) Inventor: **Sean M. Carlini**, Rockford, IL (US)
- (73) Assignee: **Aircraft Gear Corporation**, Loves Park, IL (US)
- (**) Term: **15 Years**
- (21) Appl. No.: **29/571,078**
- (22) Filed: **Jul. 14, 2016**
- (51) **LOC (11) Cl.** **12-16**
- (52) **U.S. Cl.**
USPC **D12/160**
- (58) **Field of Classification Search**
USPC D12/159-160
CPC B60G 2200/10; B60G 2200/143; B60G 2200/156; B60G 2200/20; B60G 2200/21; B60G 2200/341; B60G 2204/1242; B60G 2300/026; F16H 57/0483; F16H 1/46; F16H 48/38; F16H 57/037; F16H 2057/02052; F16H 57/082
See application file for complete search history.

- (56) **References Cited**
U.S. PATENT DOCUMENTS
- 4,813,704 A * 3/1989 Smith B60G 3/265
280/124.109
- 5,794,341 A 8/1998 Carlini
- 5,802,705 A 9/1998 Carlini
- 5,833,026 A * 11/1998 Zetterstrom B60G 3/202
180/360
- D411,668 S 6/1999 Settelmayer, Jr. et al.
- D445,120 S 7/2001 Parsons
- D462,256 S 9/2002 Jaynes
- 6,752,403 B2 * 6/2004 Allen B60G 17/005
180/89.12

- 6,755,429 B1 * 6/2004 Buchwitz B60G 3/18
280/124.109
- D498,568 S 11/2004 Colman et al.
- D504,061 S 4/2005 Fisher et al.
- 7,025,684 B2 4/2006 Frana et al.
- 7,143,861 B2 * 12/2006 Chu B60G 3/20
180/346
- D607,912 S 1/2010 Medici
- 7,819,411 B2 * 10/2010 Eshelman B60G 3/20
280/124.135
- D664,032 S 7/2012 Su
- 8,465,035 B2 * 6/2013 Gander B60B 35/04
280/124.1
- 8,517,140 B2 * 8/2013 West B60G 3/20
180/360

(Continued)

Primary Examiner — Michael A. Pratt
(74) *Attorney, Agent, or Firm* — John V. Daniluck;
Bingham Greenebaum Doll LLP

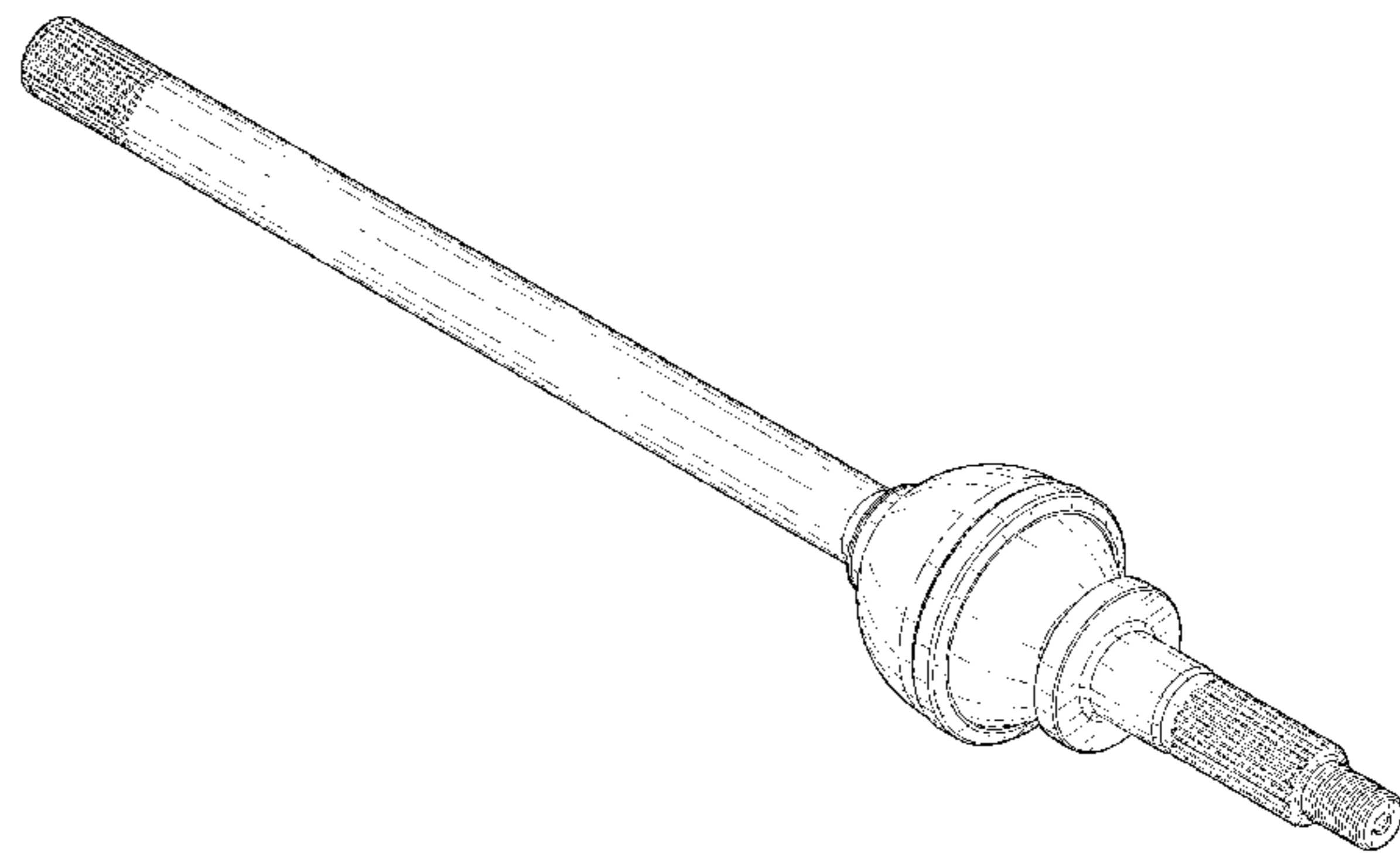
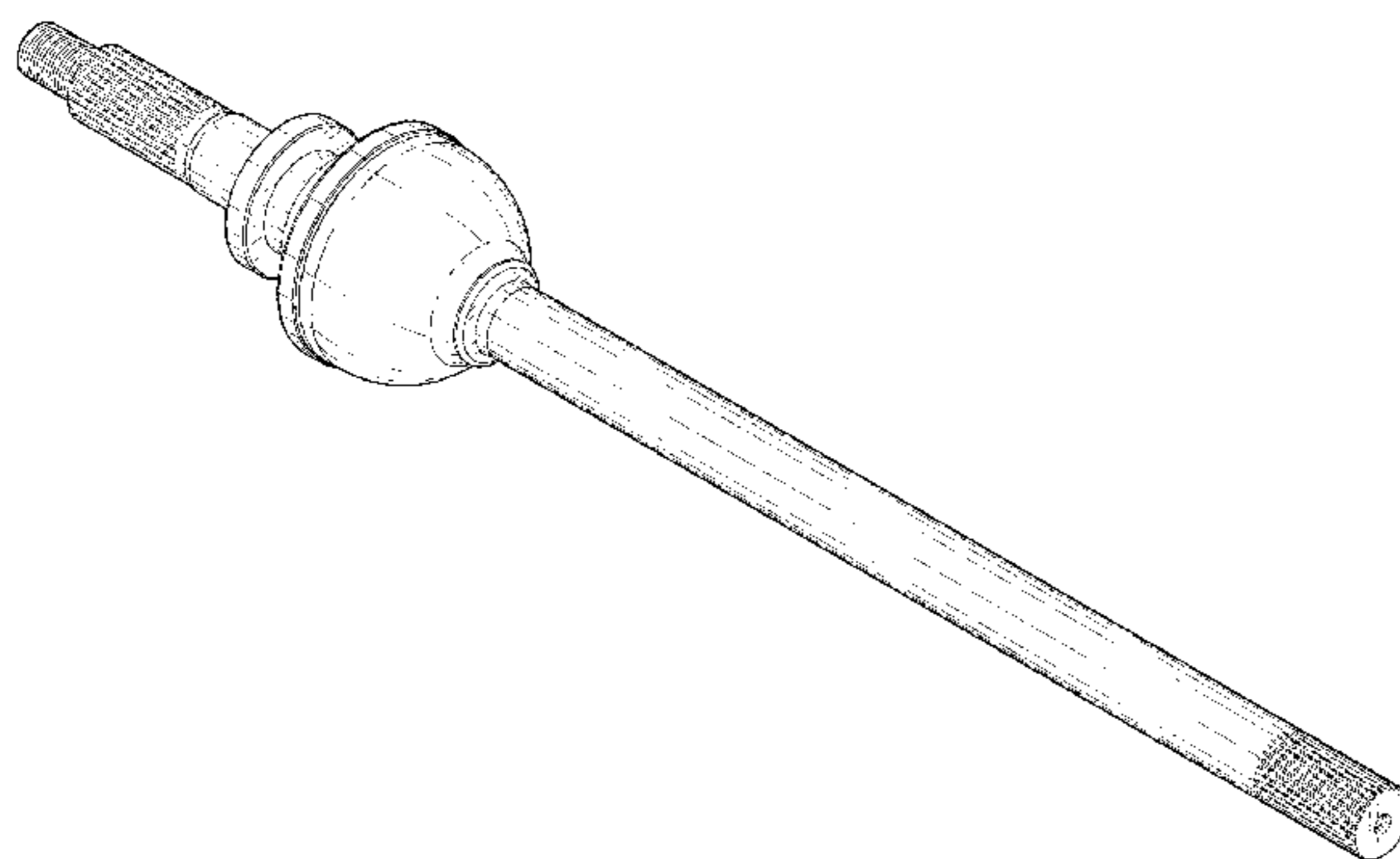
(57) **CLAIM**

The ornamental design for a constant velocity joint, as shown and described.

DESCRIPTION

FIG. 1 is a front, left, top perspective view looking rearward of a constant velocity joint according to one embodiment of the present invention;
FIG. 2 is a right, rear, top perspective view looking forward thereof;
FIG. 3 is a left side elevational view thereof, the right side elevational, top plan view and bottom plan view being identical;
FIG. 4 is a front elevational end view thereof;
FIG. 5 is a rear elevational end view thereof; and,
FIG. 6 is a perspective view of a portion thereof shown installed in a vehicle.
The broken lines showing of a vehicle in FIG. 6 illustrates environment which forms not part of the claimed design.

1 Claim, 5 Drawing Sheets



(56)

References Cited

U.S. PATENT DOCUMENTS

D698,637	S	2/2014	Su	
9,221,496	B2 *	12/2015	Barr	B62D 21/11
9,267,596	B2 *	2/2016	Trost	F16H 57/045
9,556,915	B2 *	1/2017	Hirukawa	F16D 3/223
9,581,206	B2 *	2/2017	Yamazaki	F16D 3/223
9,746,036	B2 *	8/2017	Tosaji	F16C 3/023

* cited by examiner

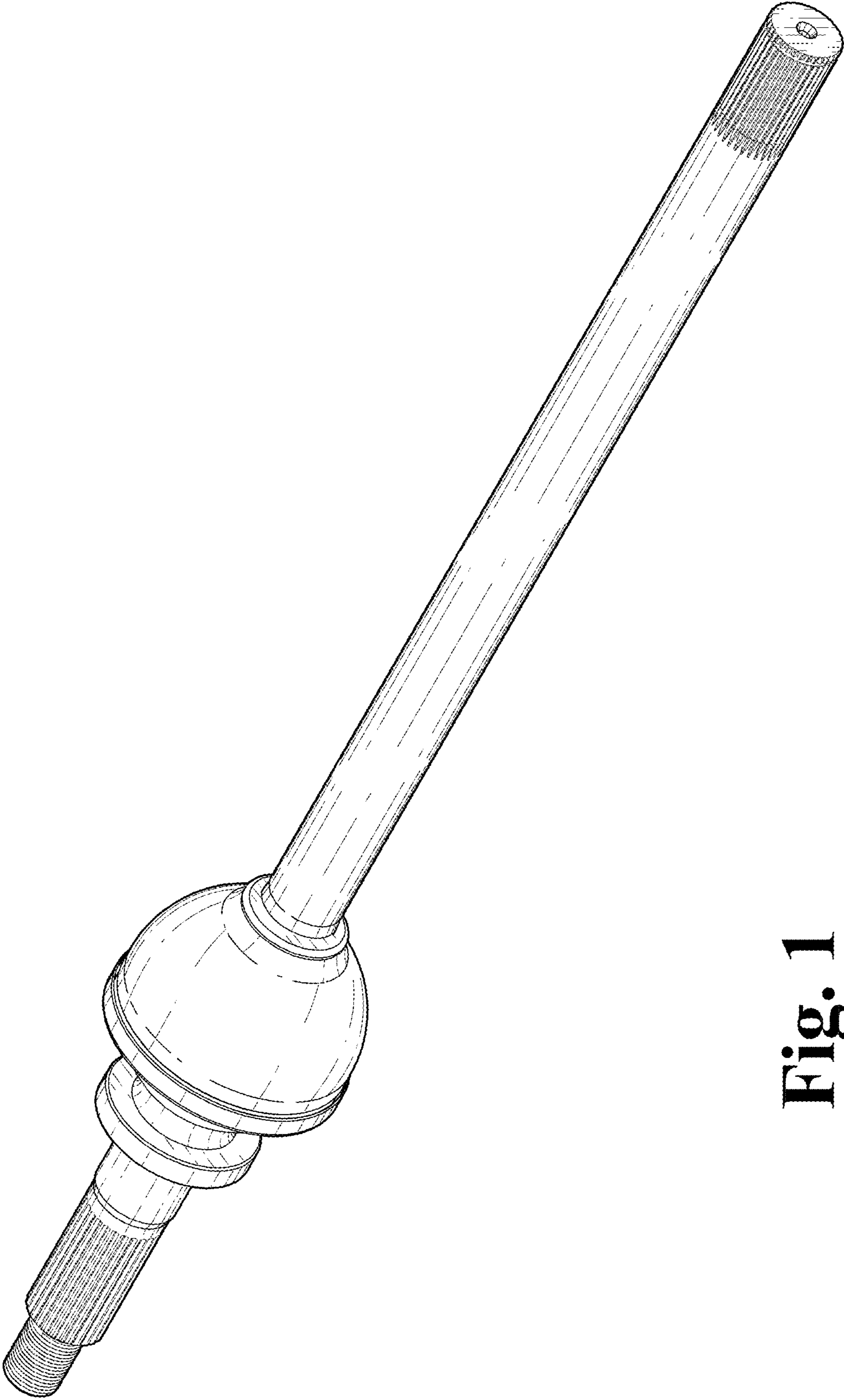


Fig. 1

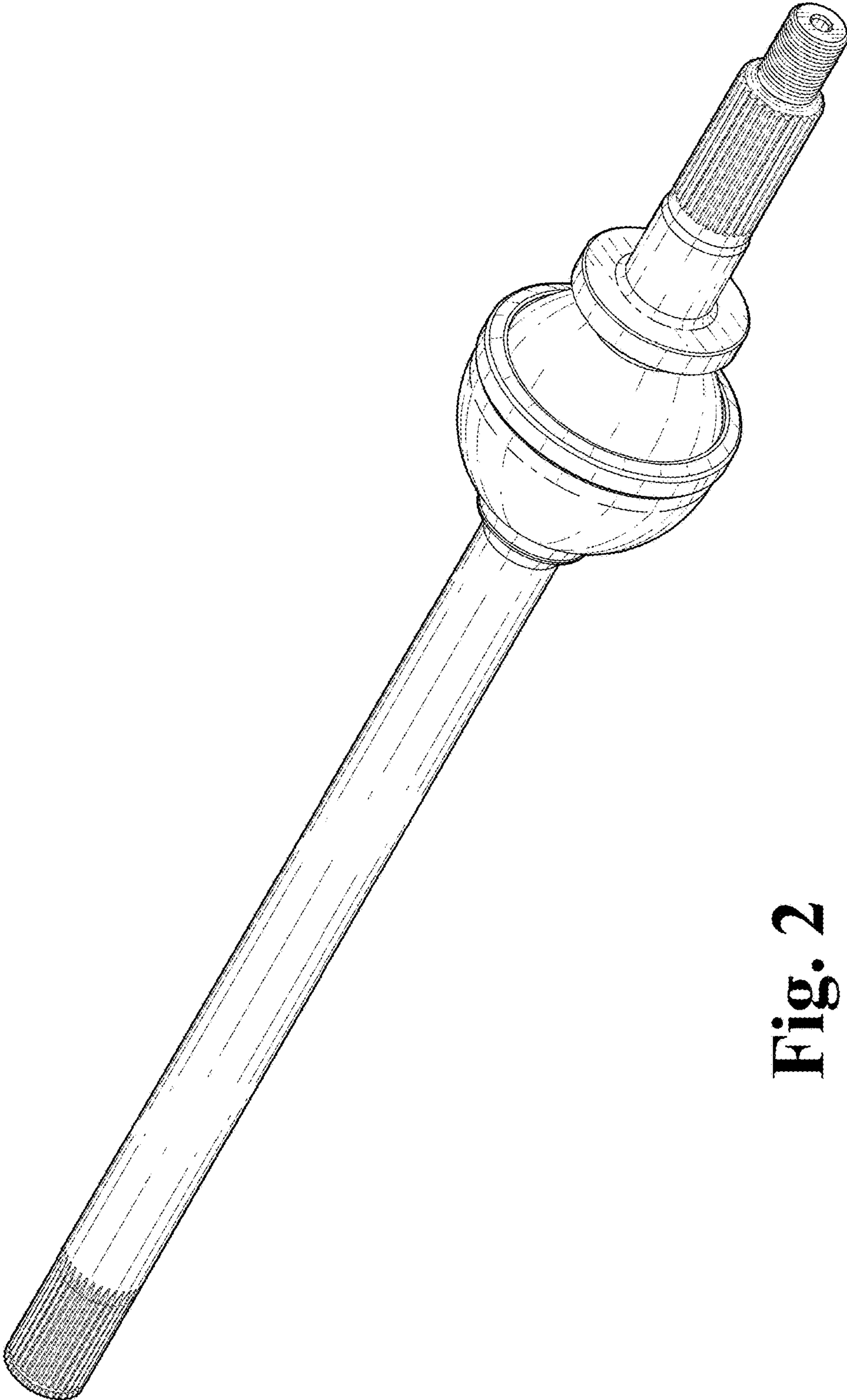


Fig. 2

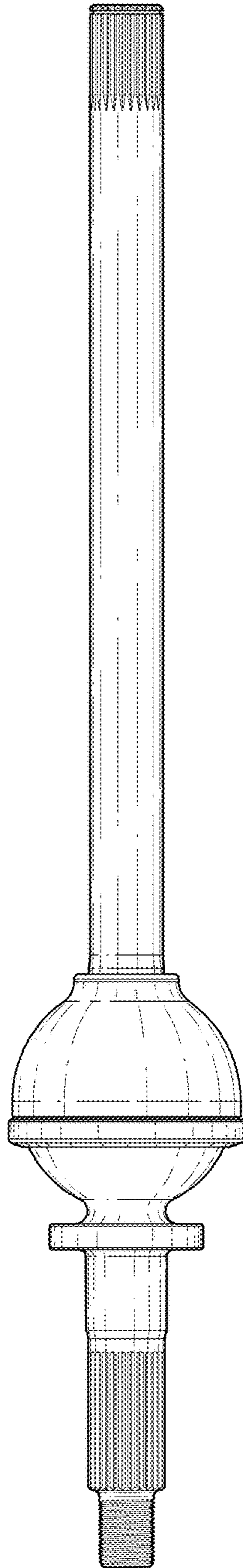


Fig. 3

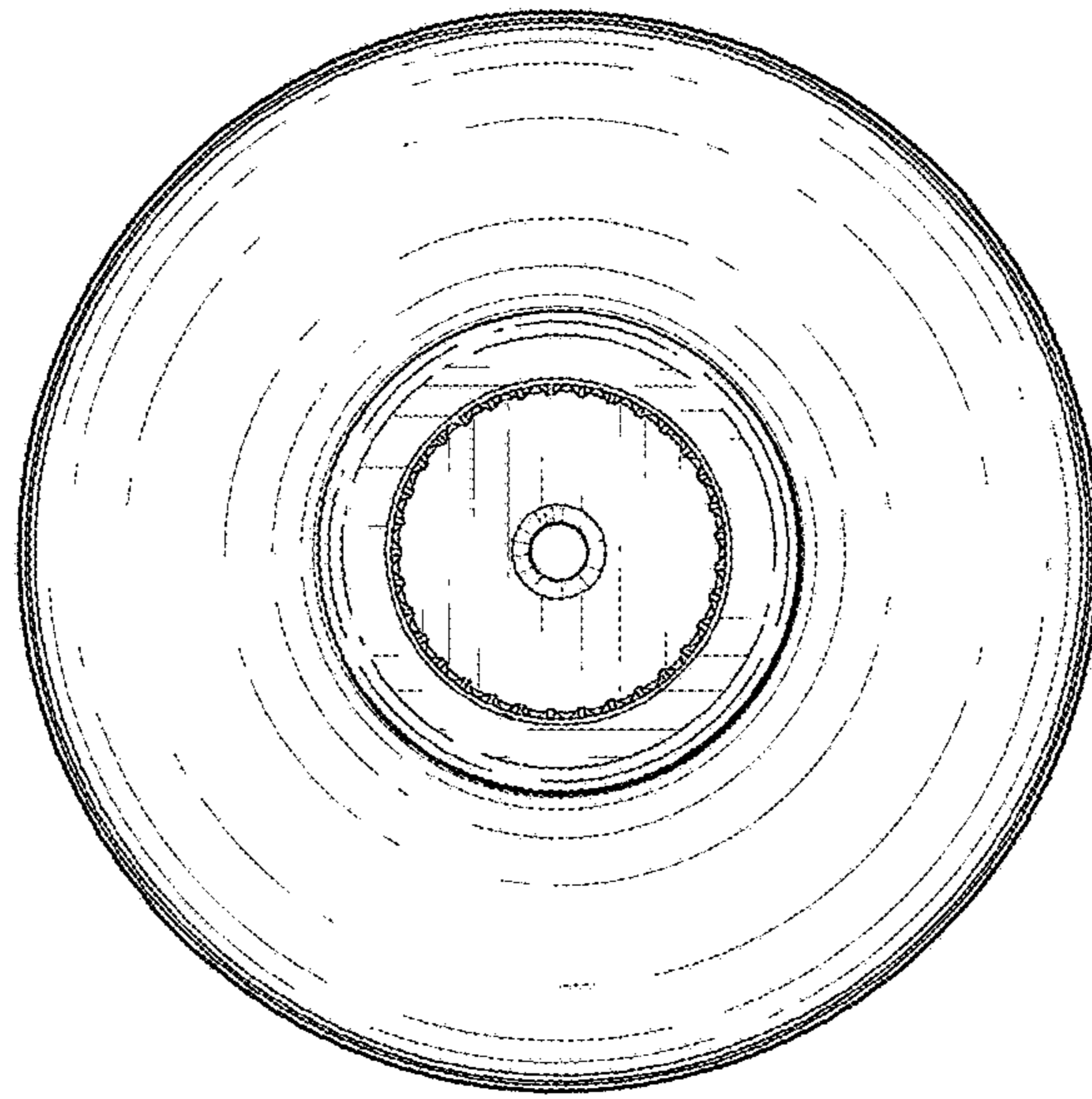


Fig. 4

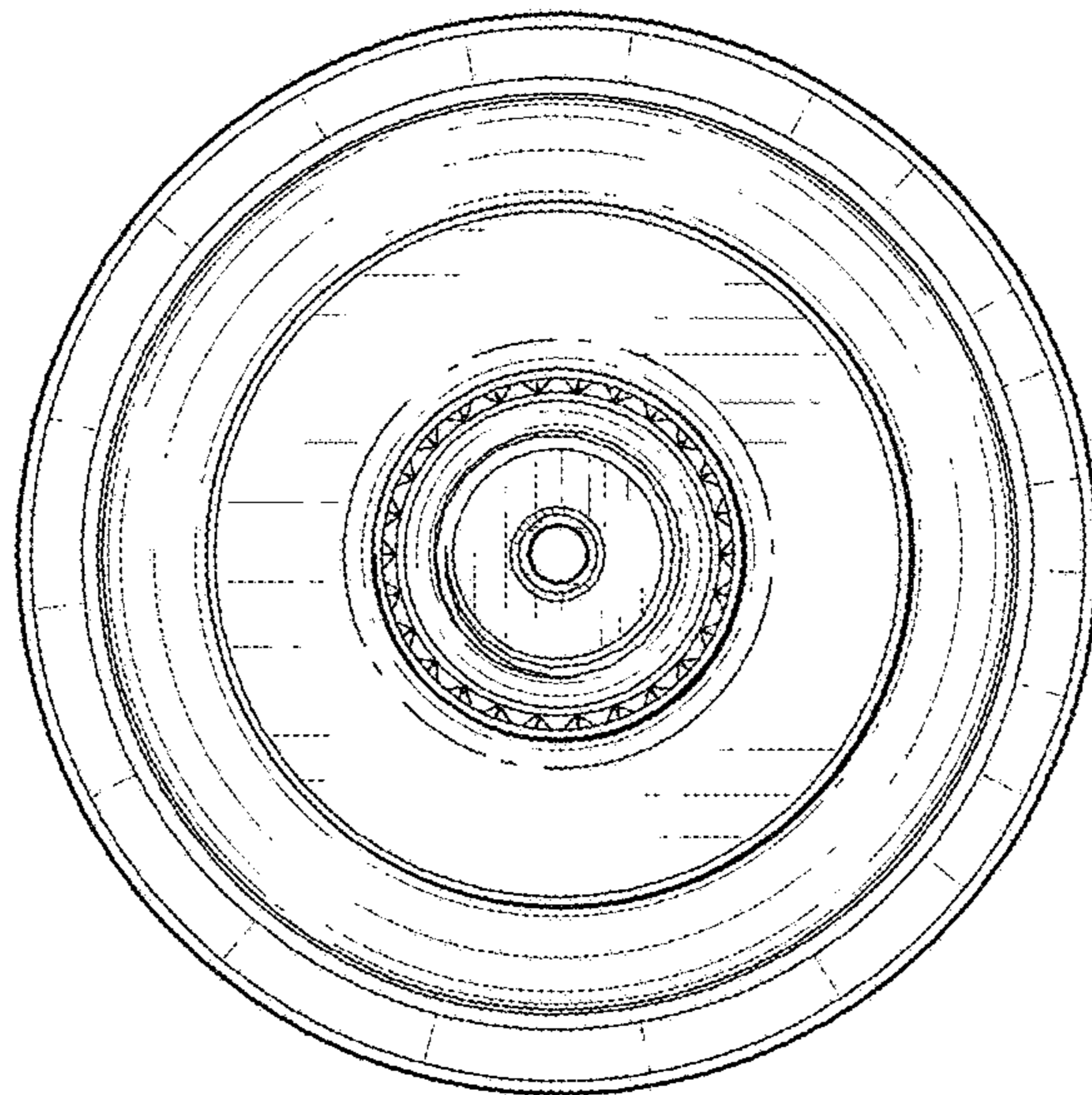


Fig. 5

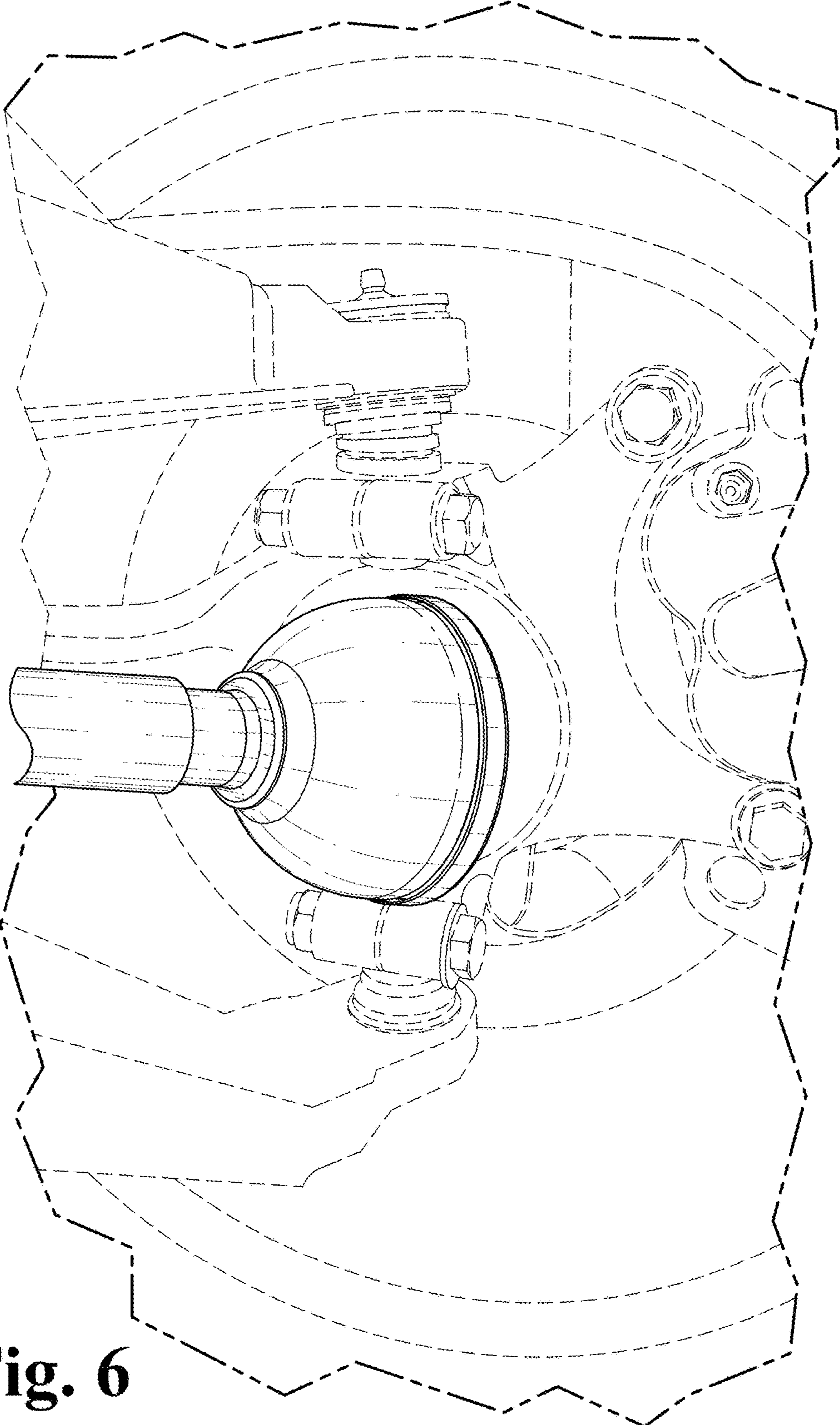


Fig. 6