



US00D823732S

(12) **United States Design Patent**
Tran

(10) **Patent No.:** **US D823,732 S**
(45) **Date of Patent:** **** Jul. 24, 2018**

(54) **MOTORCYCLE TRANSPORT TRAILER**

(71) Applicant: **Khoa Van Tran**, San Antonio, TX (US)

(72) Inventor: **Khoa Van Tran**, San Antonio, TX (US)

(**) Term: **15 Years**

(21) Appl. No.: **29/578,447**

(22) Filed: **Sep. 21, 2016**

(51) **LOC (11) Cl.** **12-10**

(52) **U.S. Cl.**
USPC **D12/101**; D12/106

(58) **Field of Classification Search**
USPC D12/93, 94, 95, 96, 97, 98, 99, 100, 101,
D12/102, 103, 104, 105, 106, 400, 406,
D12/412, 413, 414, 414.1
CPC .. B60P 1/56; B60P 3/222; B60P 3/224; B23K
31/02
See application file for complete search history.

(56) **References Cited**

U.S. PATENT DOCUMENTS

2,835,400	A	5/1958	Latzke	
3,400,944	A	9/1968	Dion	
3,458,073	A	7/1969	Dawson	
3,863,594	A *	2/1975	Gawthrop B60P 3/10 116/28 R
D240,807	S	8/1976	Floodeen	
D243,597	S	3/1977	Headington	
4,154,352	A	5/1979	Fowler	
D271,093	S	10/1983	Triggs	
D277,086	S *	1/1985	Dudley D12/101
4,752,177	A	6/1988	Jenna	
4,846,484	A	7/1989	Nekola	

(Continued)

FOREIGN PATENT DOCUMENTS

KR	100858866	B1	9/2008
WO	1999007595	A1	2/1999

OTHER PUBLICATIONS

Hand Trailer Winch, Owner's Manual and Safety Instructions, Haulmaster, Aug. 14, 2013.

(Continued)

Primary Examiner — Karen S Acker

Assistant Examiner — Jerry Shiuian-Hua Hsu

(74) *Attorney, Agent, or Firm* — Volk & McElroy, LLP; Michael D. Volk, Jr.

(57) **CLAIM**

The ornamental design for a motorcycle transport trailer, as shown and described.

DESCRIPTION

FIG. 1 is a perspective view of a motorcycle transport trailer showing my new design.

FIG. 2 is a perspective view thereof shown in a position of use.

FIG. 3 is a top view thereof.

FIG. 4 is a bottom view thereof.

FIG. 5 is a right side view thereof in a high configuration, the left side view being a mirror image thereof.

FIG. 6 is a front view thereof.

FIG. 7 is a rear view thereof.

FIG. 8 is a right side view of the motorcycle transport trailer of FIG. 1 in a medium configuration, the left side view being a mirror image thereof.

FIG. 9 is a front view thereof.

FIG. 10 is a rear view thereof.

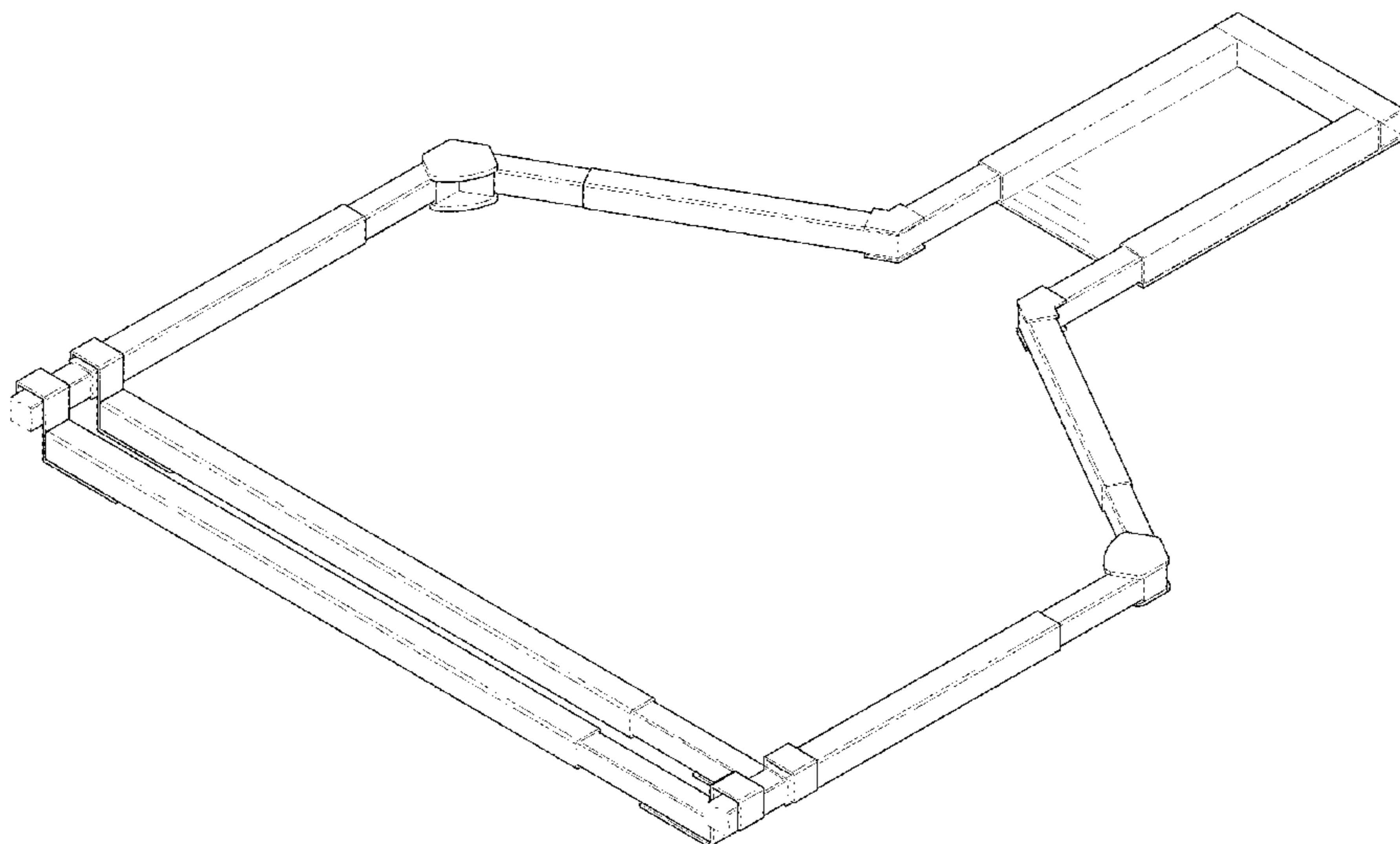
FIG. 11 is a right side view of the motorcycle transport trailer of FIG. 1 in a low configuration, the left side view being a mirror image thereof.

FIG. 12 is a front view thereof; and,

FIG. 13 is a rear view thereof.

The broken lines illustrate portions of the motorcycle transport trailer that form no part of the claimed design.

1 Claim, 7 Drawing Sheets



(56)

References Cited

U.S. PATENT DOCUMENTS

D307,732 S * 5/1990 Level D12/101
 D313,955 S 1/1991 Merwe et al.
 D316,688 S * 5/1991 Barginear D12/101
 D322,235 S * 12/1991 Bell D12/101
 5,161,814 A 11/1992 Walker
 5,267,746 A * 12/1993 Stevenson B60P 3/062
 114/344
 D375,921 S * 11/1996 Kunkle D12/101
 D403,276 S * 12/1998 Neault D12/101
 D434,701 S * 12/2000 Patmont D12/101
 D443,561 S 6/2001 Voogt
 6,428,035 B1 8/2002 Maxwell et al.
 6,612,389 B1 * 9/2003 Bell B62K 13/00
 180/209
 6,955,375 B2 * 10/2005 Thurm B60P 3/07
 108/167
 D544,815 S 6/2007 Williams
 7,275,753 B1 10/2007 Ceccarelli et al.
 D566,624 S 4/2008 Dempsey et al.
 7,458,602 B2 * 12/2008 Maxwell B60P 3/07
 280/656

7,547,025 B2 6/2009 Coates
 7,673,887 B2 3/2010 Hassell
 D626,461 S 11/2010 Barrios et al.
 D626,891 S 11/2010 Smith
 8,016,316 B1 9/2011 Carlton
 D648,656 S * 11/2011 Crane D12/101
 8,657,305 B1 2/2014 Hassell
 D710,262 S 8/2014 Faye
 8,876,140 B2 11/2014 Barnett
 D737,725 S 9/2015 Bell
 D759,546 S 6/2016 Wyk
 D759,547 S 6/2016 Wyk
 2004/0004333 A1 1/2004 Riermann
 2004/0262882 A1 12/2004 Huddleston
 2007/0235985 A1 10/2007 Thompson
 2011/0038699 A1 2/2011 Nguyen

OTHER PUBLICATIONS

Stinger Trailer, Motorcycletrailer.com, Internet publication, Aug. 9, 2015, available at <https://web.archive.org/web/20150709044158/http://www.motorcycletrailer.com/nav/carry1.html>.

* cited by examiner

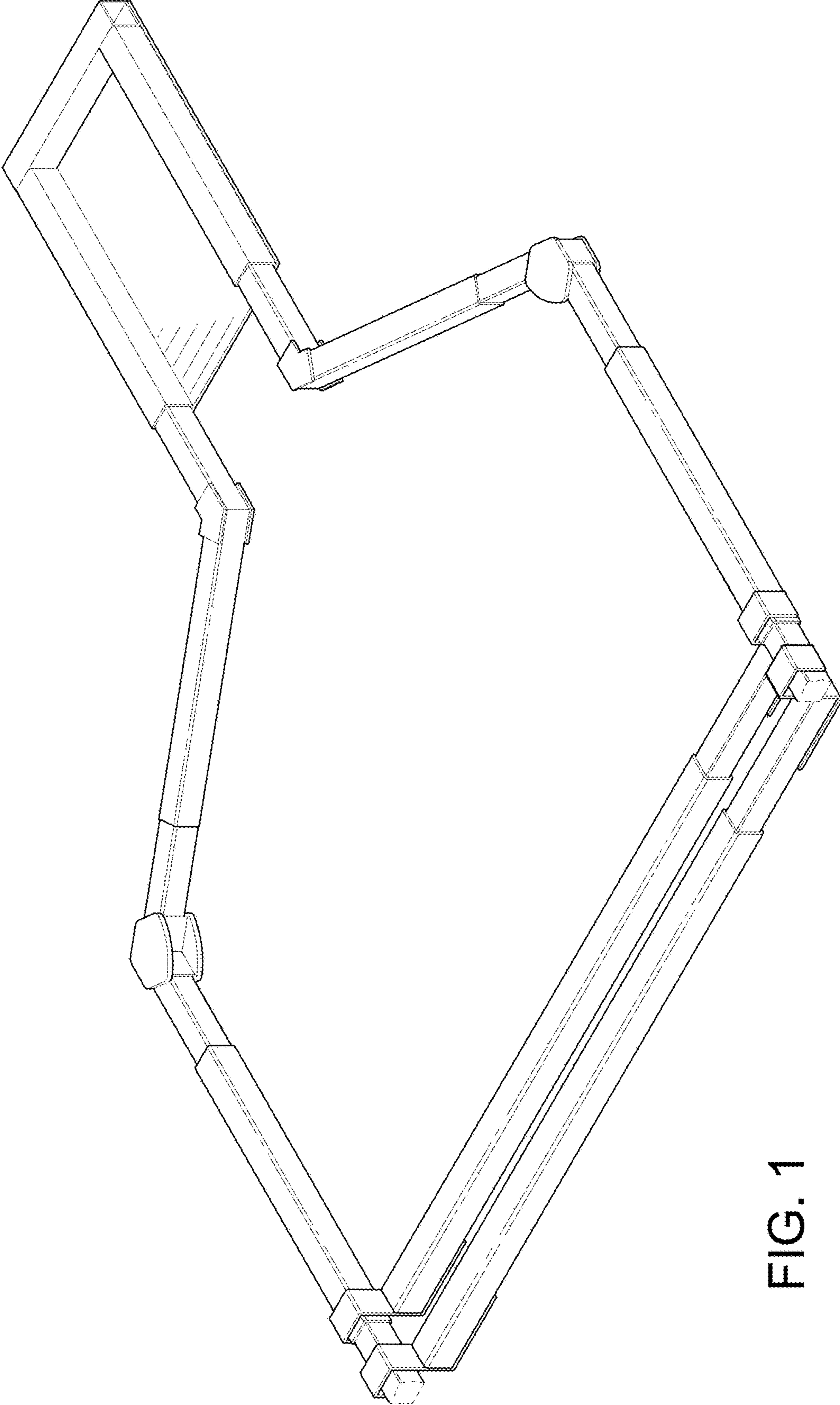


FIG. 1

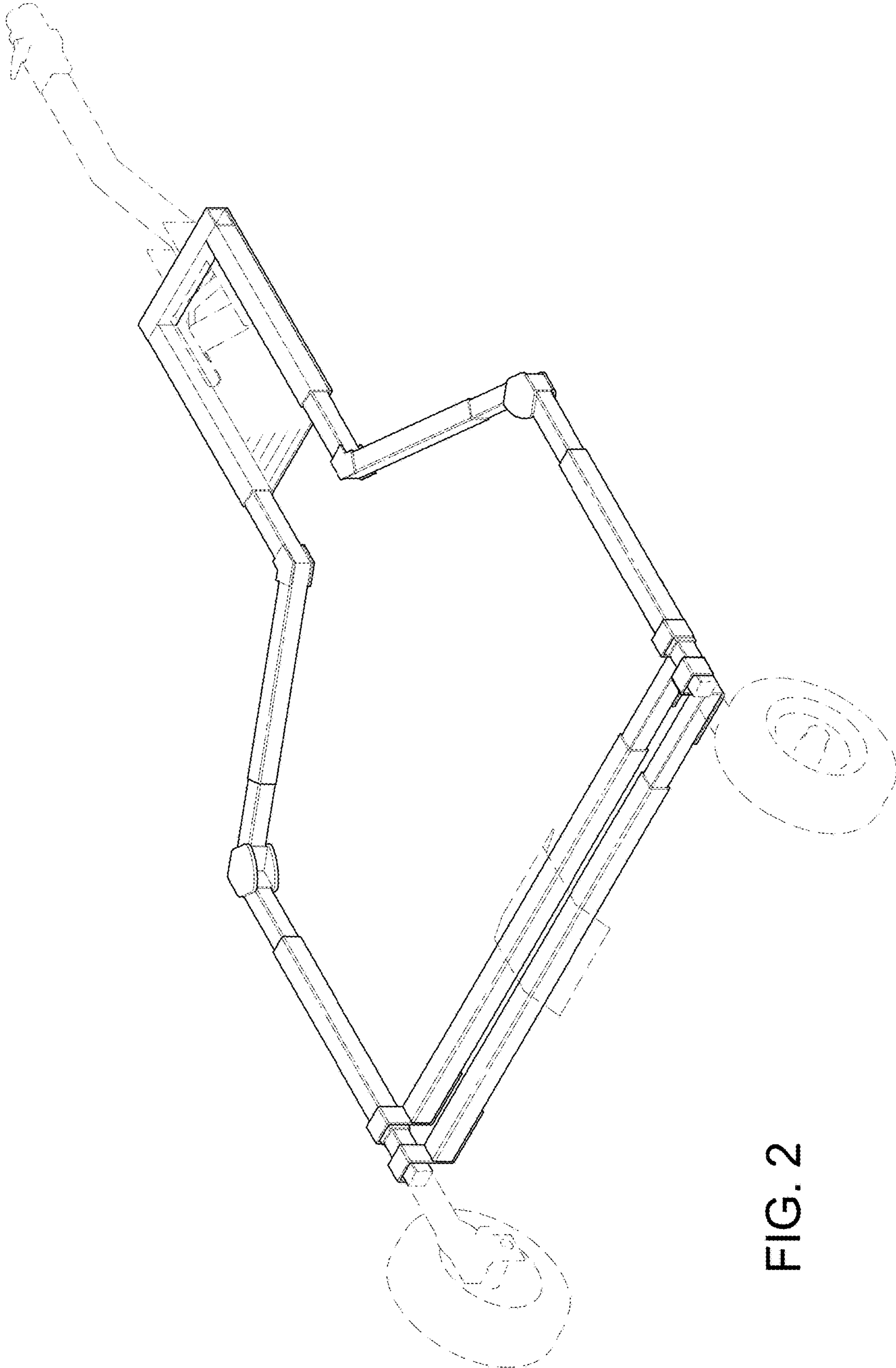


FIG. 2

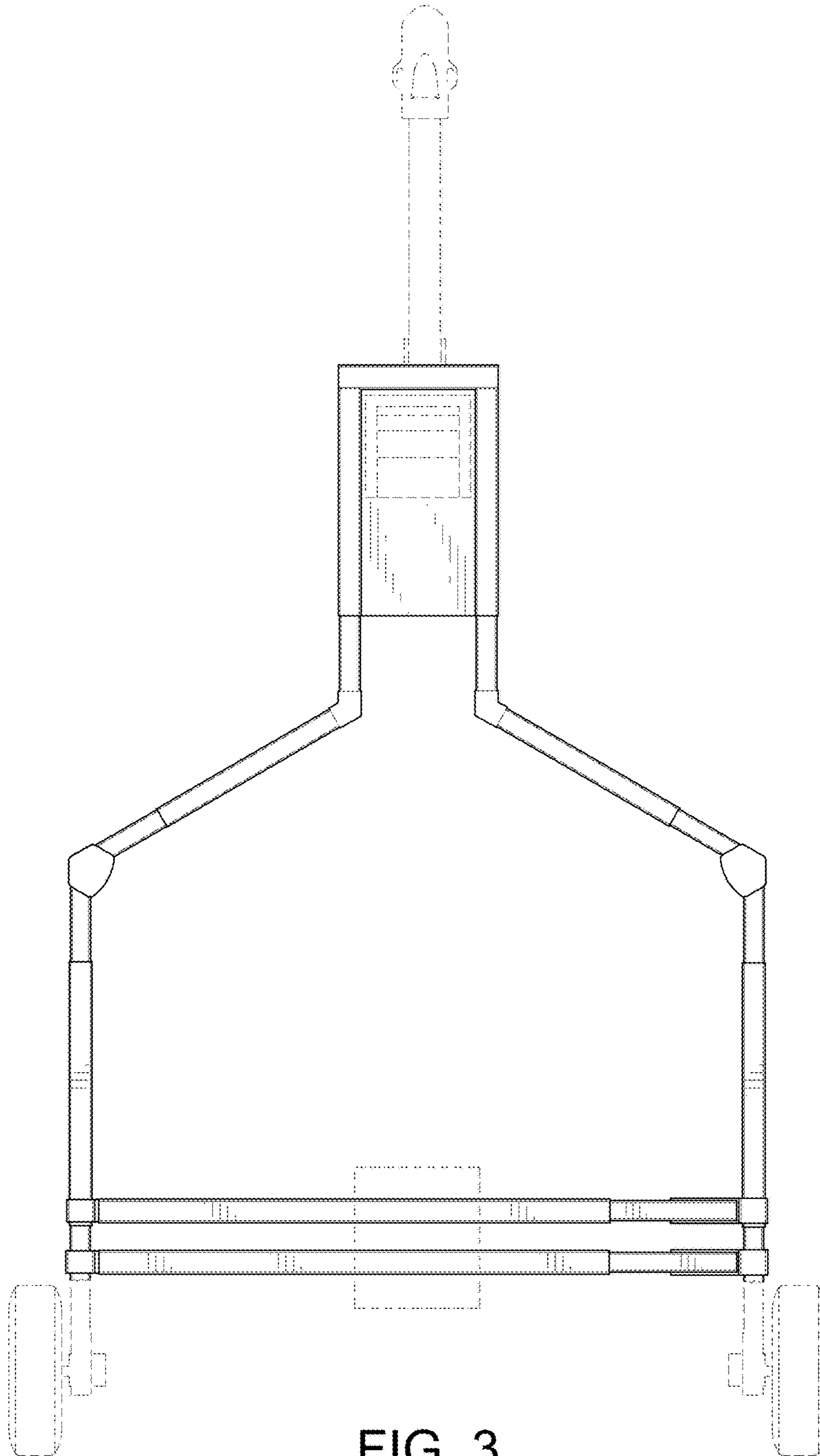


FIG. 3

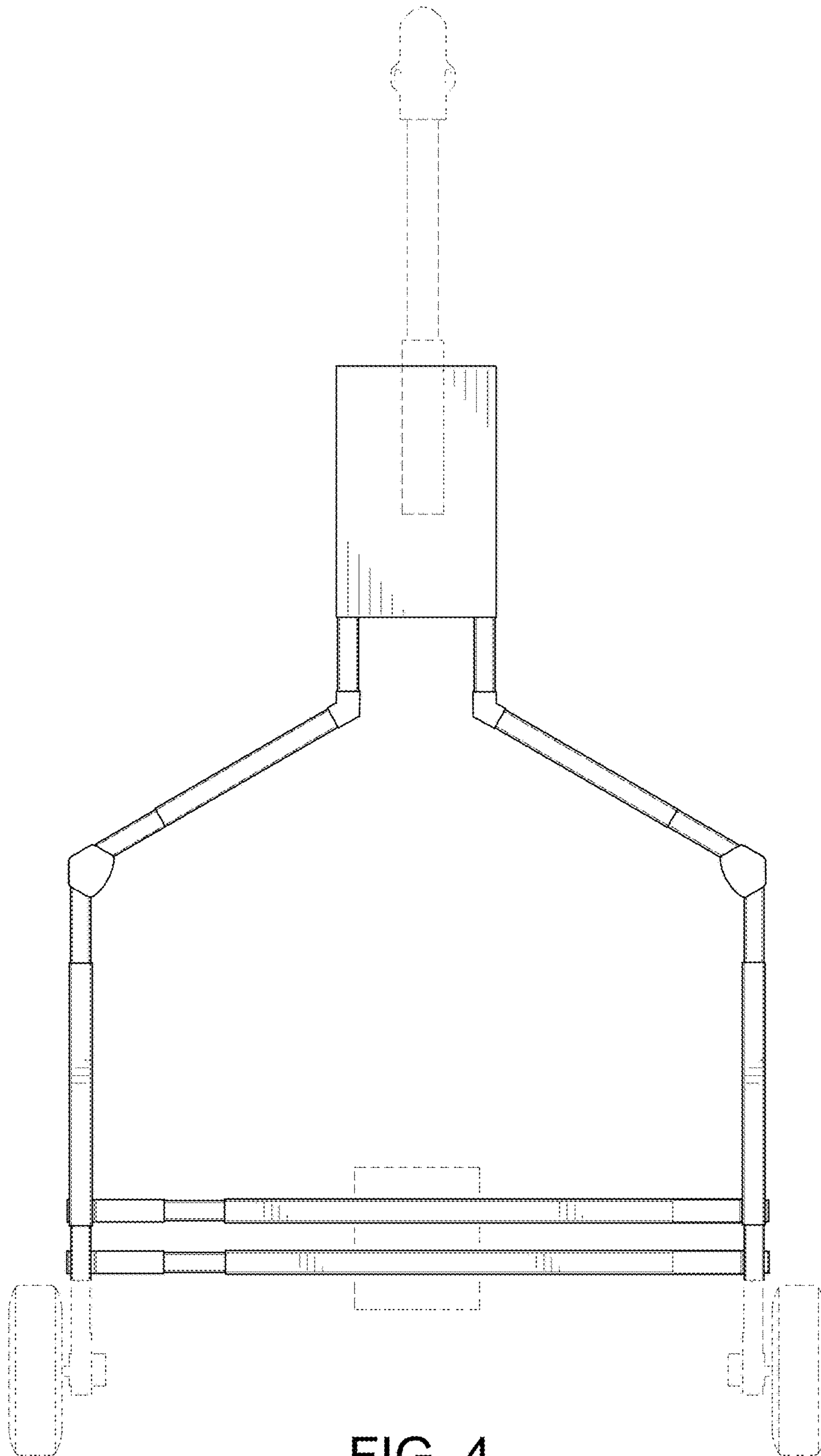


FIG. 4

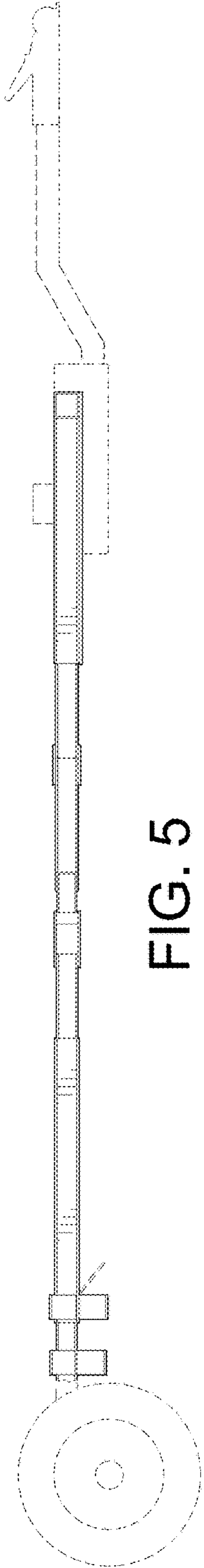


FIG. 5

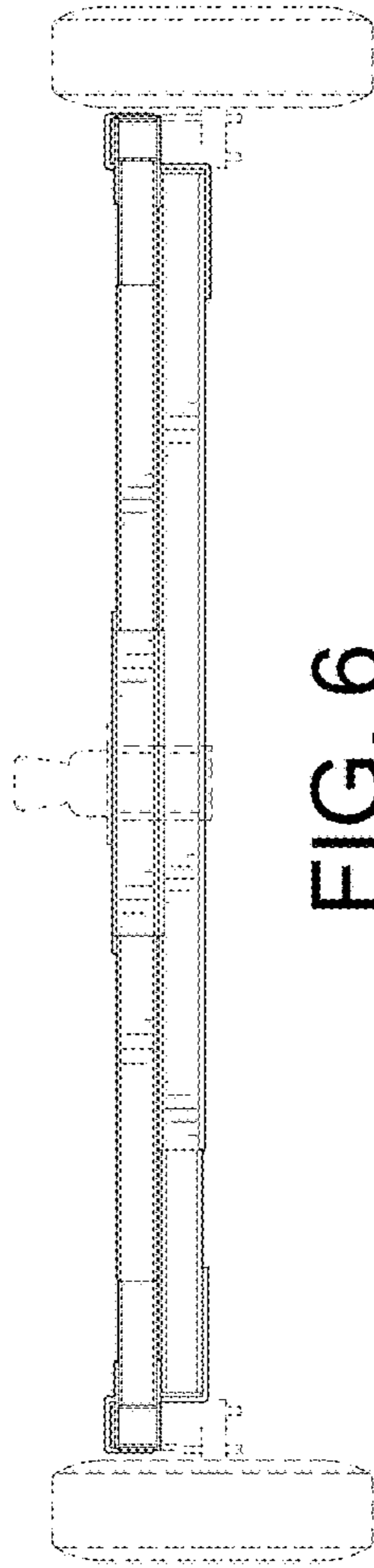


FIG. 6

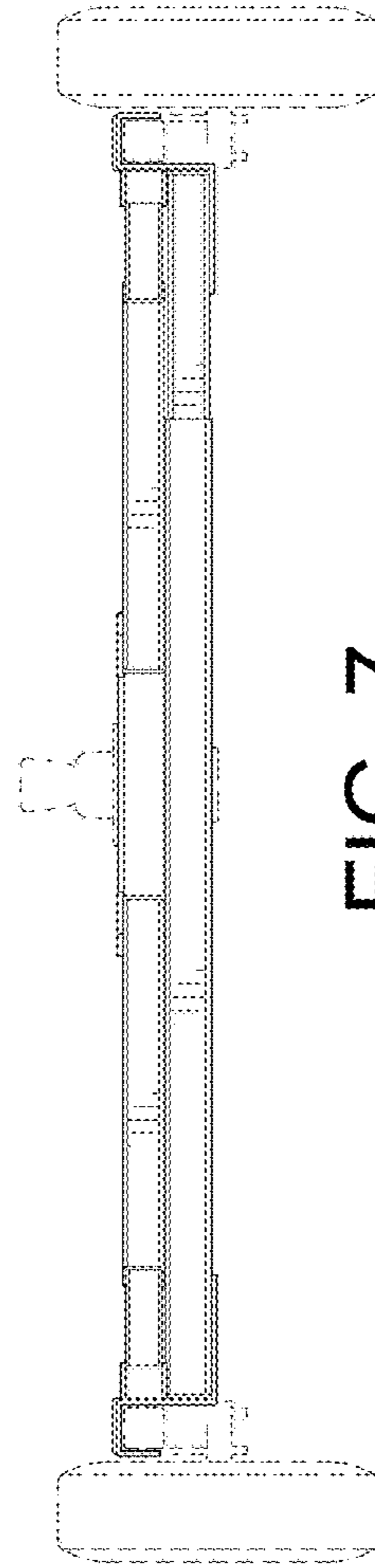


FIG. 7

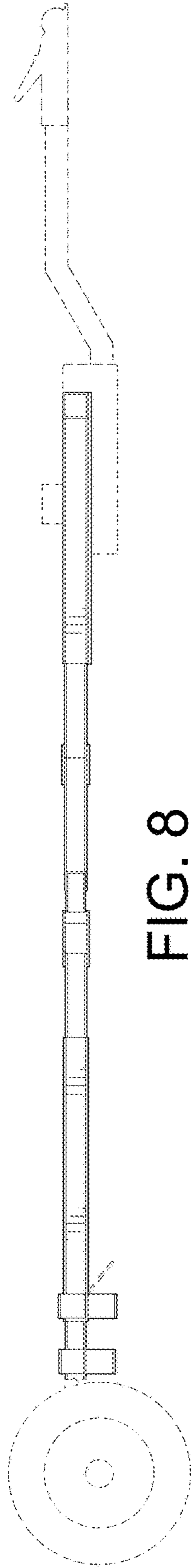


FIG. 8

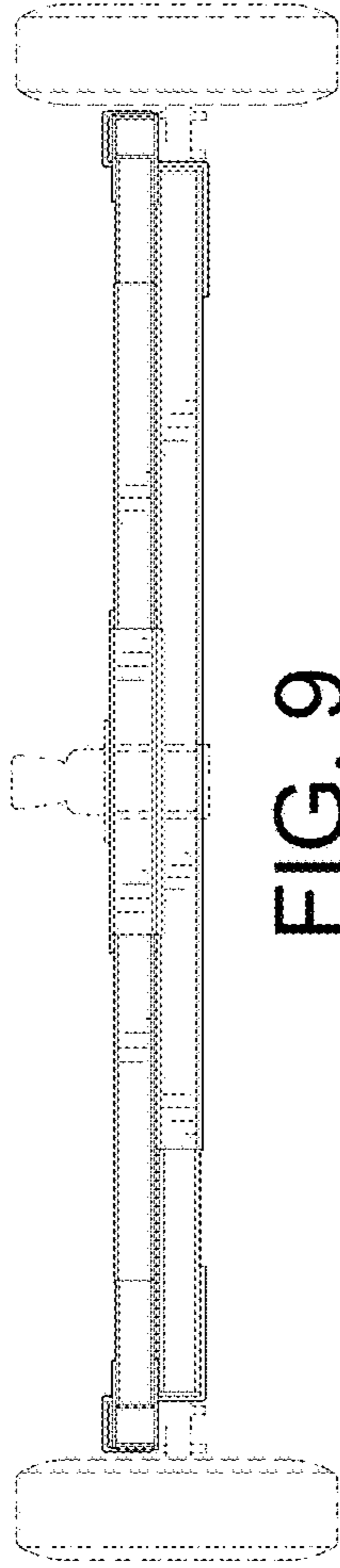


FIG. 9

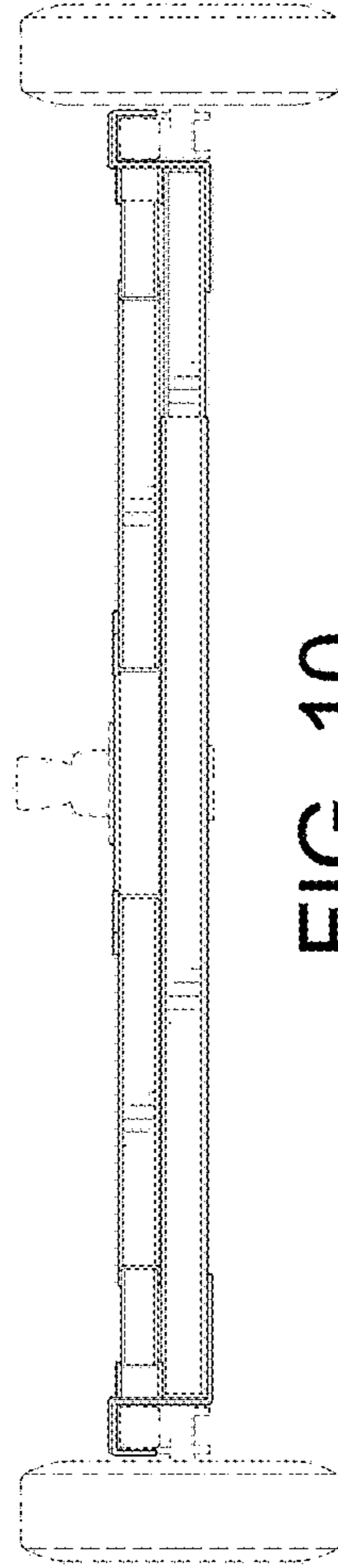


FIG. 10

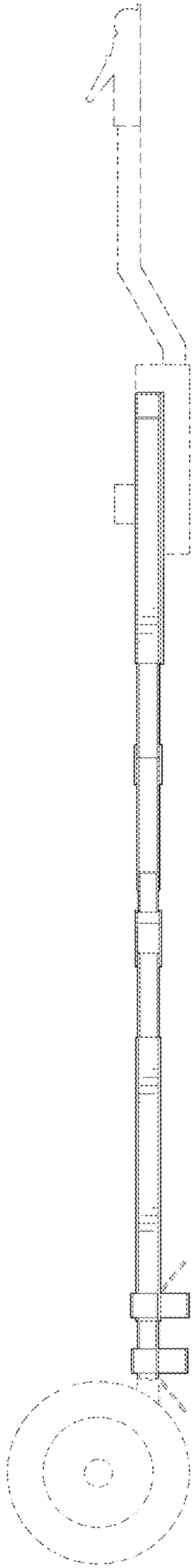


FIG. 11

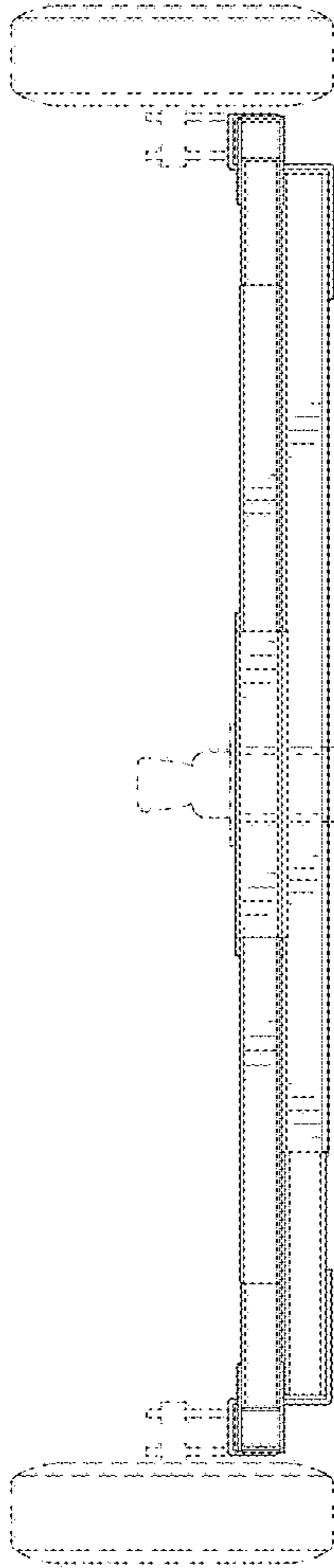


FIG. 12

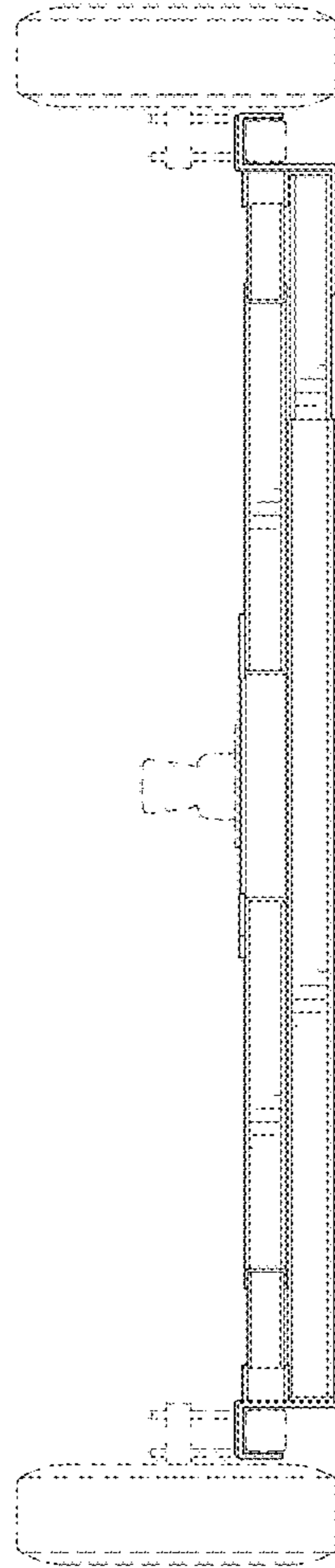


FIG. 13