



US00D823726S

(12) **United States Design Patent**
Hubers et al.

(10) **Patent No.:** **US D823,726 S**
(45) **Date of Patent:** **** Jul. 24, 2018**

(54) **AUTOMOBILE EXTERIOR**

(56) **References Cited**

(71) Applicants: **Adam Hubers**, Royal Oak, MI (US);
Nicholas Vardis, Sylvan Lake, MI
(US); **Timothy A Doyle**, Rochester, MI
(US); **Mark C Trostle**, Rochester, MI
(US)

U.S. PATENT DOCUMENTS

D539,191 S	3/2007	Castiglione et al.	
D658,546 S *	5/2012	Abdallah	D12/92
D658,547 S *	5/2012	Abdallah	D12/92
D746,176 S	12/2015	Gale et al.	
D755,080 S	5/2016	Vardis et al.	
D755,081 S	5/2016	Gale et al.	

(72) Inventors: **Adam Hubers**, Royal Oak, MI (US);
Nicholas Vardis, Sylvan Lake, MI
(US); **Timothy A Doyle**, Rochester, MI
(US); **Mark C Trostle**, Rochester, MI
(US)

* cited by examiner

Primary Examiner — Melody N Brown

(74) *Attorney, Agent, or Firm* — Ralph E. Smith

(73) Assignee: **FCA US LLC**, Auburn Hills, MI (US)

(57) **CLAIM**

The ornamental design for an automobile exterior, as shown and described.

(**) Term: **15 Years**

DESCRIPTION

(21) Appl. No.: **29/601,906**

FIG. 1 is a front perspective view of an automobile exterior showing our new design;

(22) Filed: **Apr. 27, 2017**

FIG. 2 is a rear perspective view thereof;

(51) **LOC (11) Cl.** **12-08**

FIG. 3 is a side view thereof;

(52) **U.S. Cl.**
USPC **D12/92**

FIG. 4 is a front view thereof;

(58) **Field of Classification Search**
USPC D12/86, 90-92; D21/424, 433, 434;
296/181.1-181.5, 183.1

FIG. 5 is a rear view thereof; and,

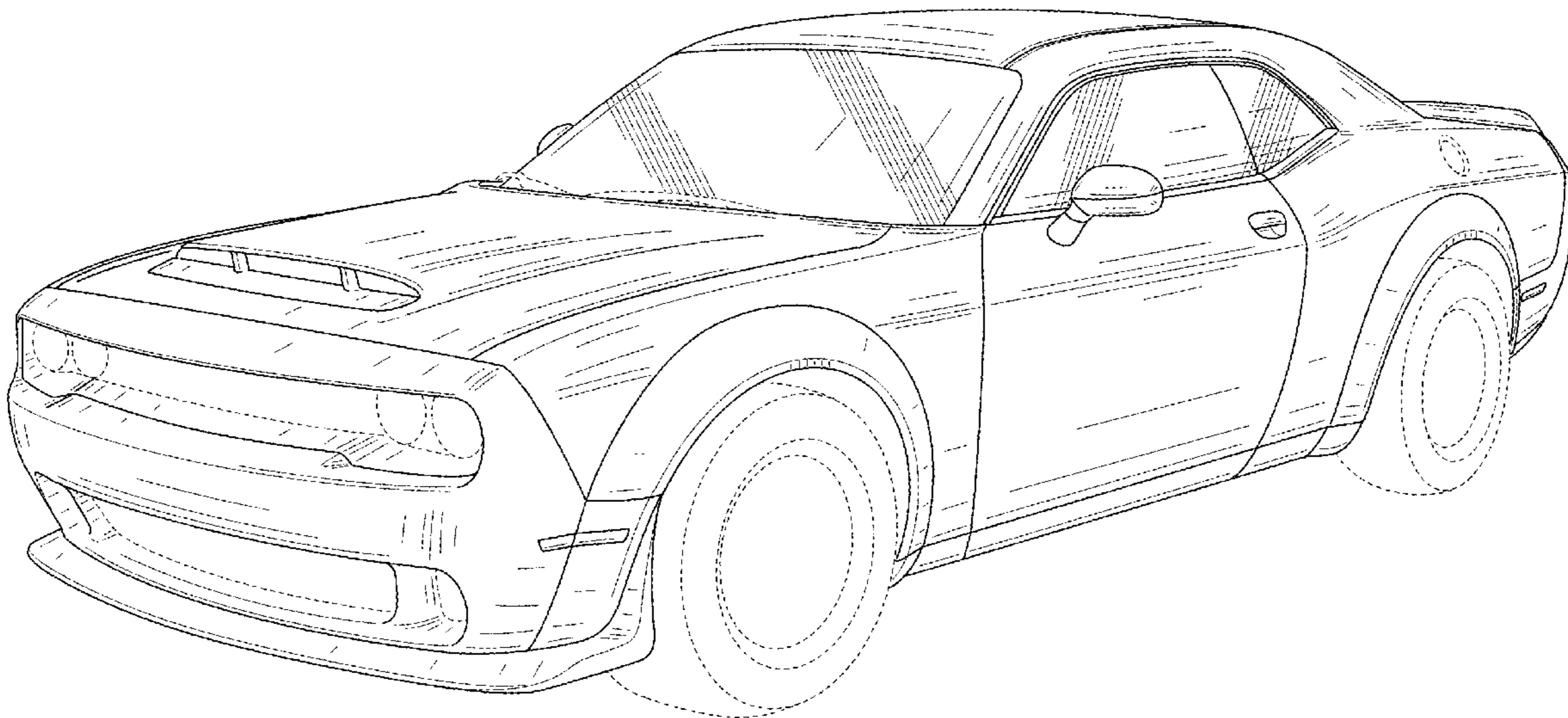
CPC B62D 25/00; B62D 25/06; B62D 33/00;
B62D 35/00

FIG. 6 is a top plan view thereof.

See application file for complete search history.

It will be understood that the broken lines shown in the drawings illustrate portions of the automobile exterior that form no part of claimed design.

1 Claim, 5 Drawing Sheets



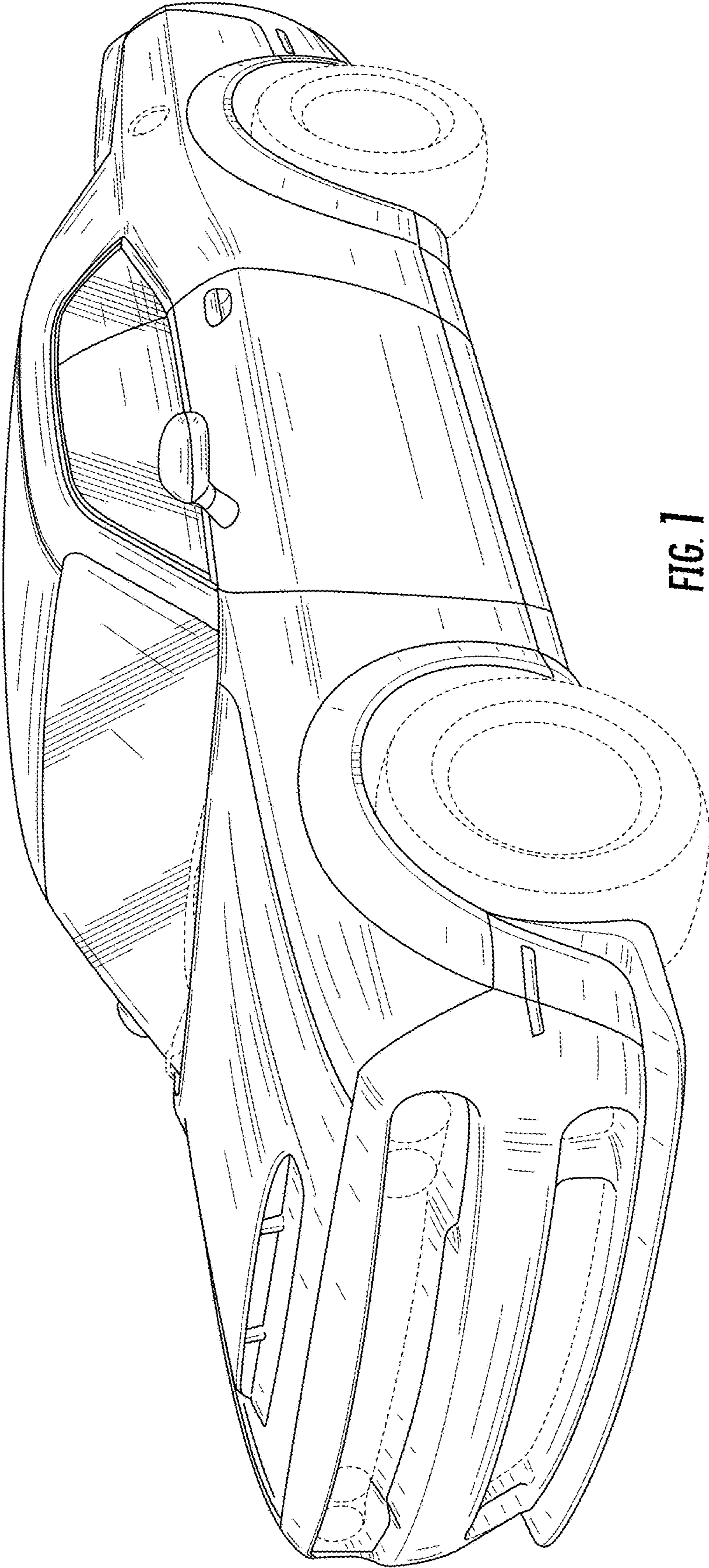


FIG. 1

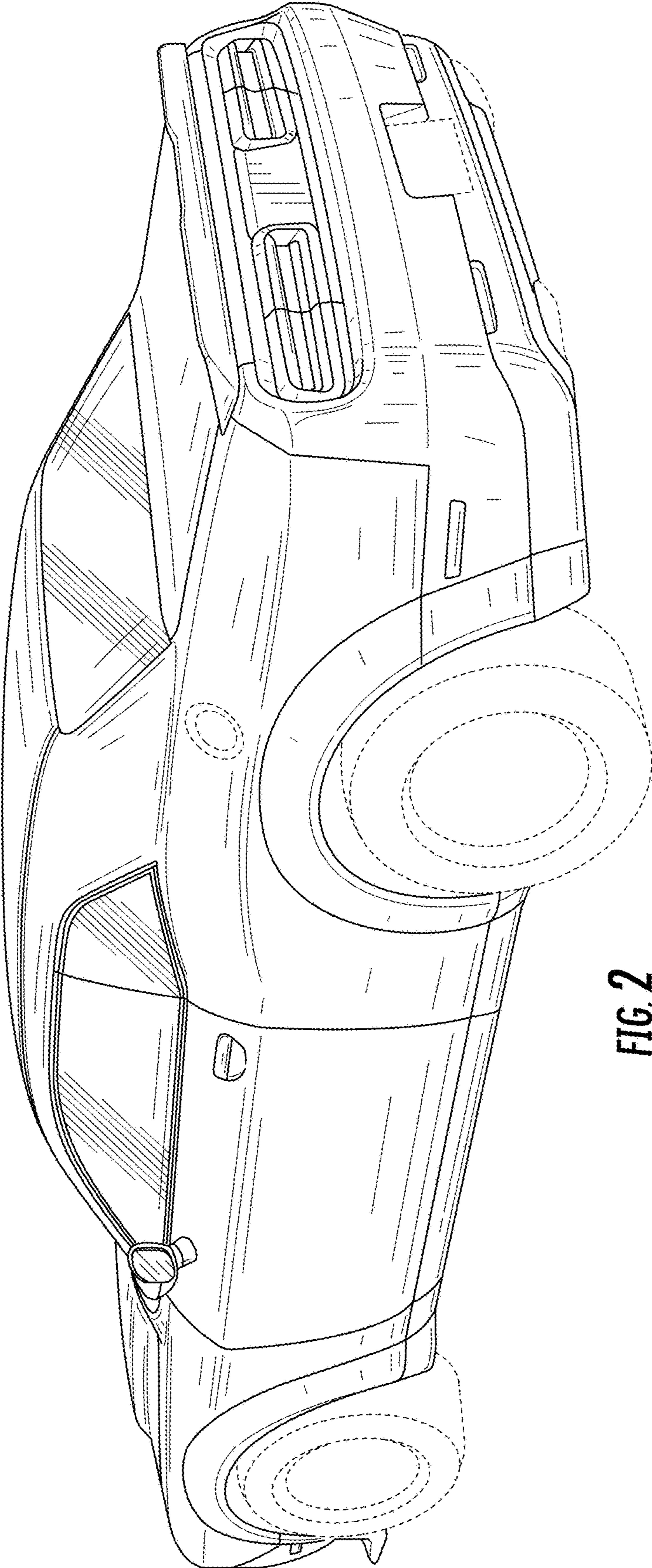


FIG. 2

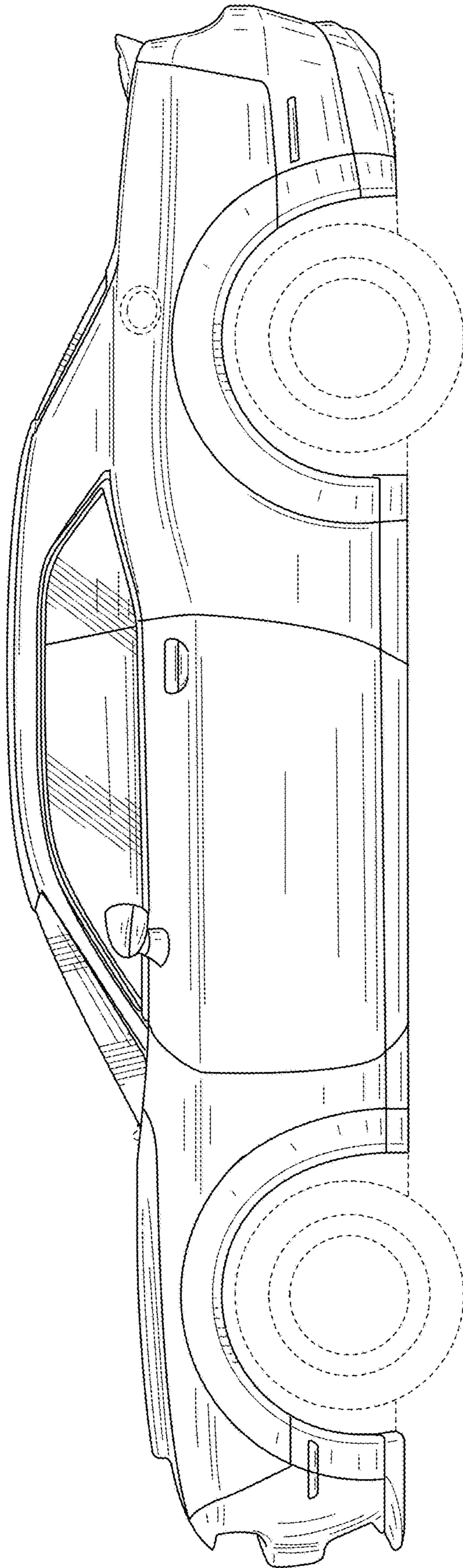


FIG. 3

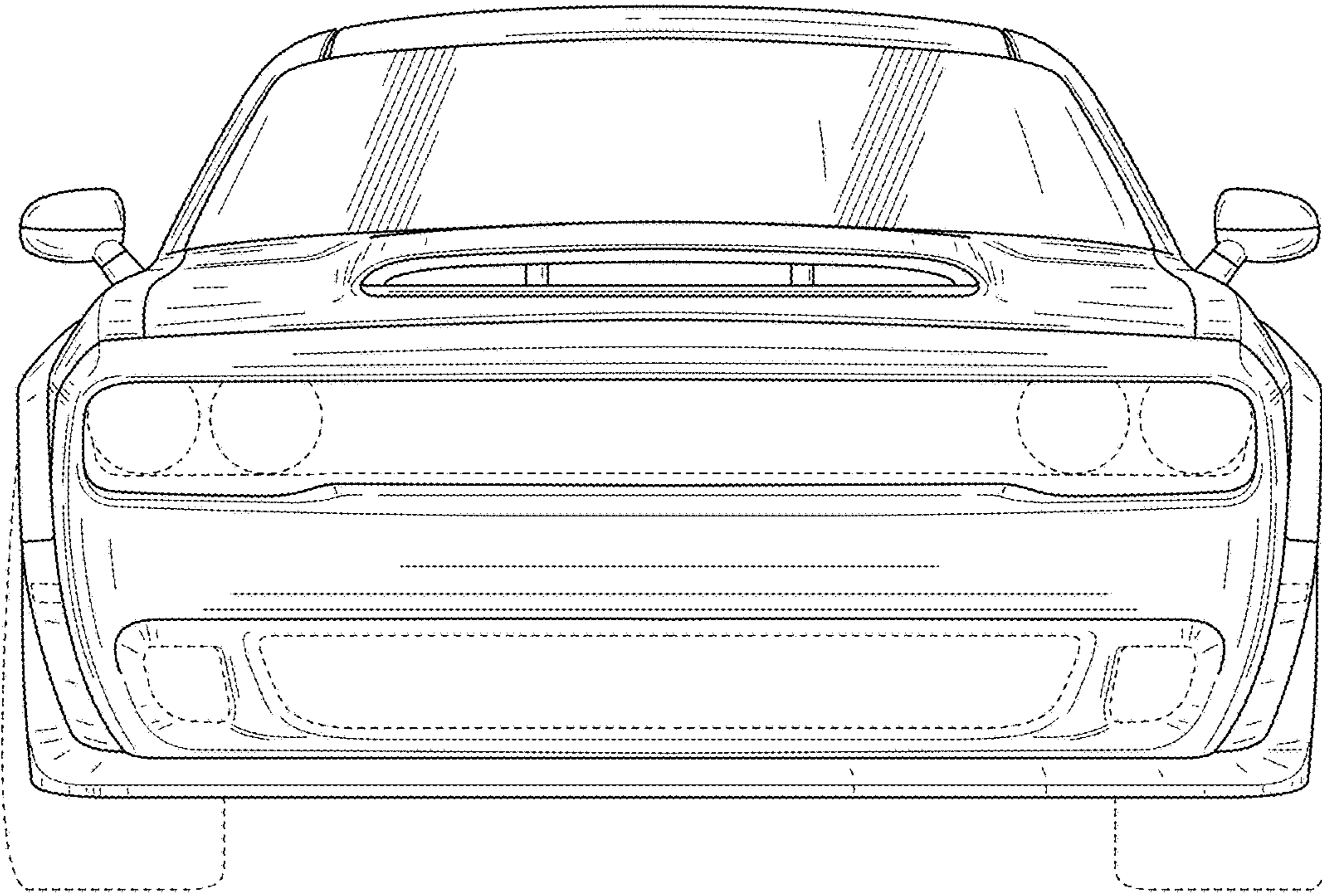


FIG. 4

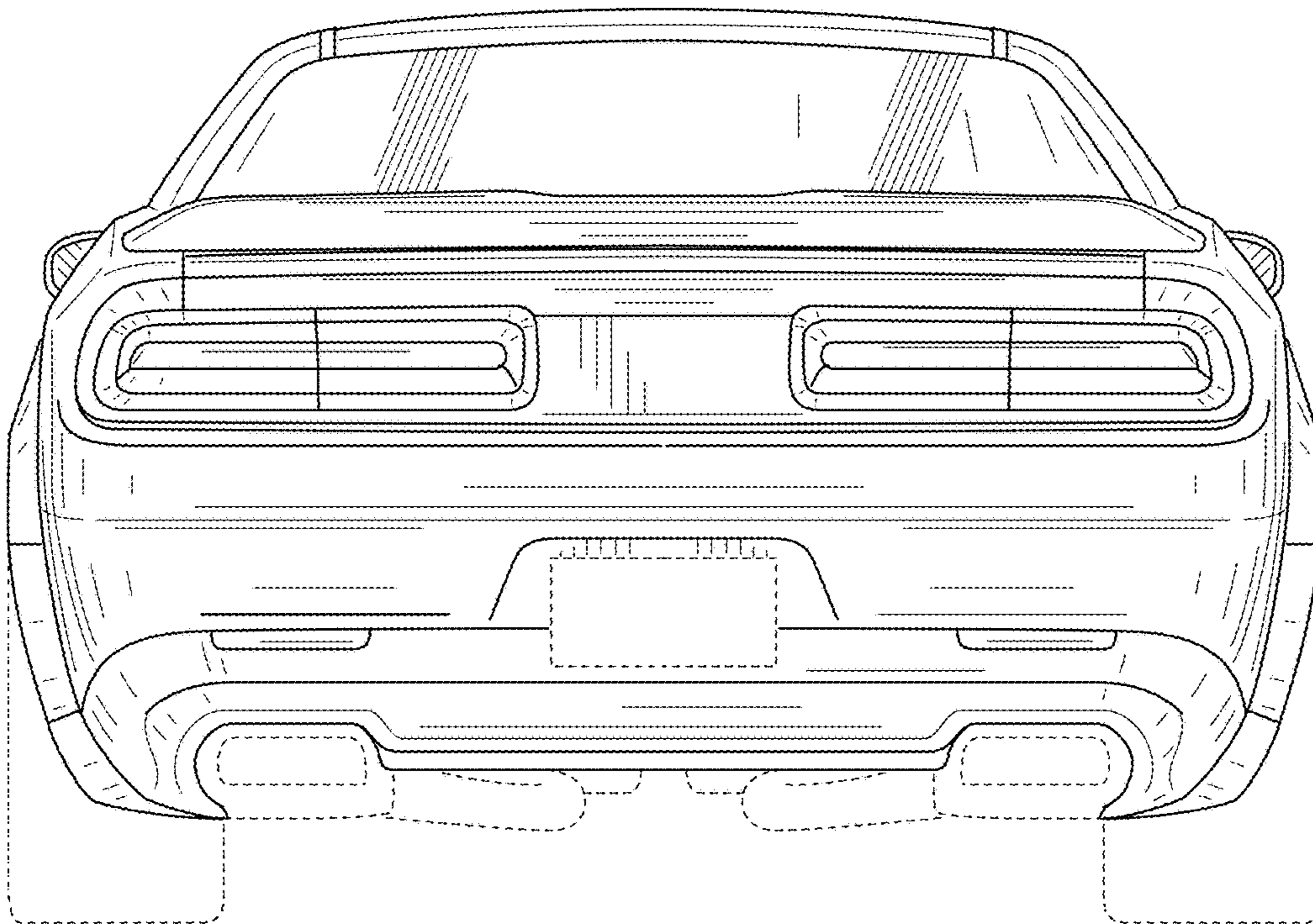


FIG. 5

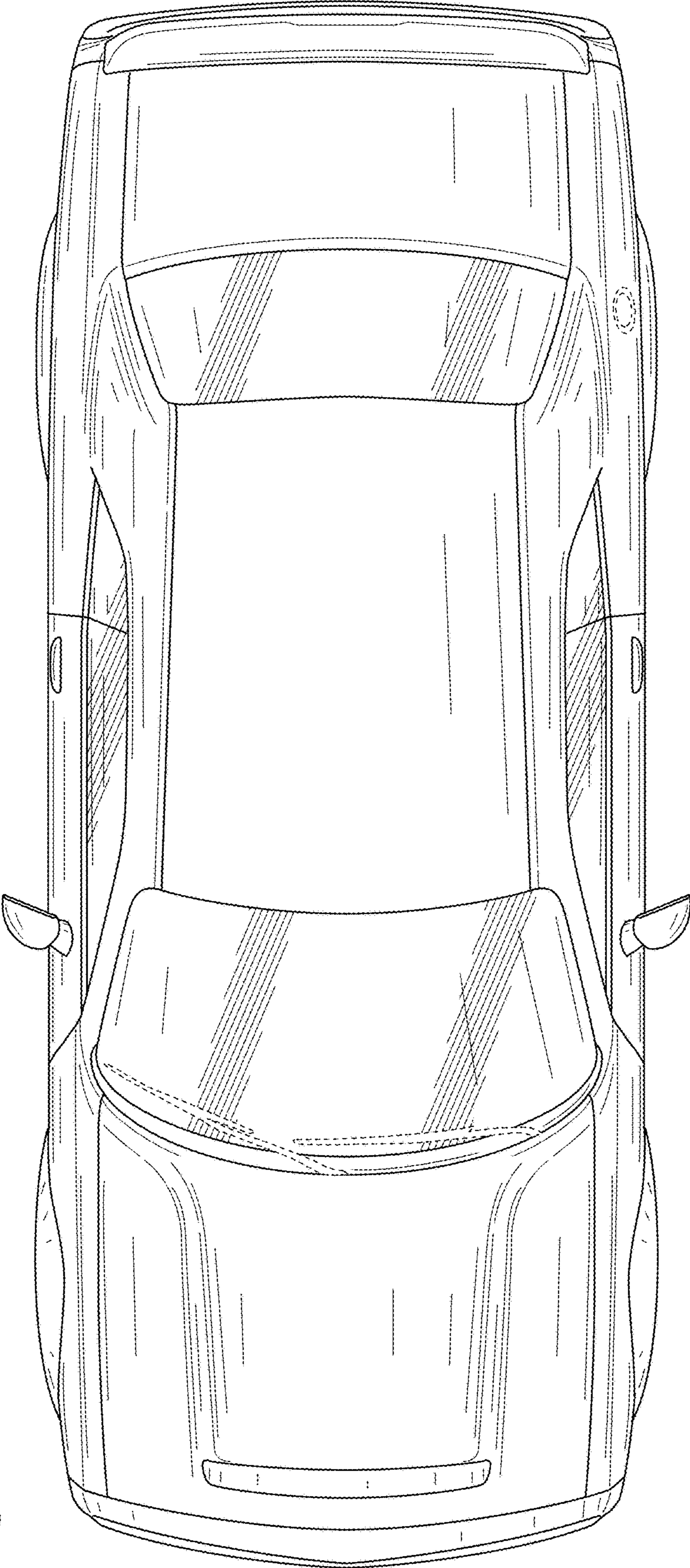


FIG. 6