



US00D823724S

(12) **United States Design Patent**  
**Melville et al.**

(10) **Patent No.:** **US D823,724 S**  
(45) **Date of Patent:** **\*\* Jul. 24, 2018**

(54) **VEHICLE EXTERIOR**  
(71) Applicant: **McLaren Automotive Limited,**  
Woking (GB)  
(72) Inventors: **Robert Melville,** Ottershaw (GB); **Paul**  
**Howse,** Shackleford (GB)  
(73) Assignee: **McLaren Automotive Limited,**  
Woking (GB)

D508,744 S 8/2005 Pfeiffer et al.  
D508,745 S 8/2005 Pfeiffer et al.  
D515,716 S 2/2006 Ikeda et al.  
D517,228 S 3/2006 Pfeiffer et al.  
D526,599 S 8/2006 Moruzzi  
D527,138 S 8/2006 Golden et al.

(Continued)

**FOREIGN PATENT DOCUMENTS**

WO 000216650-0001 4/2005  
WO 000681218-0002 3/2007

(\*\*) Term: **15 Years**

(21) Appl. No.: **29/594,630**

(22) Filed: **Feb. 21, 2017**

(30) **Foreign Application Priority Data**

Aug. 22, 2016 (GB) ..... 6000161

(51) **LOC (11) Cl.** ..... **12-08**

(52) **U.S. Cl.**  
USPC ..... **D12/92**

(58) **Field of Classification Search**  
USPC ..... D12/86, 90-92, 88; D21/421, 433, 434;  
296/181.1, 181.5

CPC ..... B62D 35/00; B62D 25/00; B62D 25/06;  
B62D 33/00

See application file for complete search history.

(56) **References Cited**

**U.S. PATENT DOCUMENTS**

D217,599 S 5/1970 Abarth  
D361,046 S 8/1995 Watkins et al.  
D455,984 S 4/2002 Boulay et al.  
D478,843 S 8/2003 Pardo  
D491,843 S 6/2004 Giugiaro  
D495,071 S 8/2004 Pfeiffer  
D498,010 S 11/2004 Pfeiffer et al.  
D499,822 S 12/2004 Pfeiffer  
D506,161 S 6/2005 Stephenson  
D507,992 S 8/2005 Stephenson  
D508,136 S 8/2005 Pfeiffer

**OTHER PUBLICATIONS**

Lamborghini Gallardo Launched at Geneva Motor Show; [http://www.carpages.co.uk/lamborghini/lamborghini\\_gallardo\\_part\\_1\\_24\\_03\\_03.asp](http://www.carpages.co.uk/lamborghini/lamborghini_gallardo_part_1_24_03_03.asp); Mar. 24, 2003; 5 pages.

(Continued)

*Primary Examiner* — Melody N Brown

(74) *Attorney, Agent, or Firm* — Haynes Beffel & Wolfeld LLP; James F. Hann; Andrew L. Dunlap

(57) **CLAIM**

The ornamental design for a vehicle exterior, as shown and described.

**DESCRIPTION**

FIG. 1 is a front and left side perspective view of a vehicle exterior showing my new design;

FIG. 2 is a rear and left side perspective view thereof;

FIG. 3 is a left side elevation view thereof;

FIG. 4 is a right side elevation view thereof;

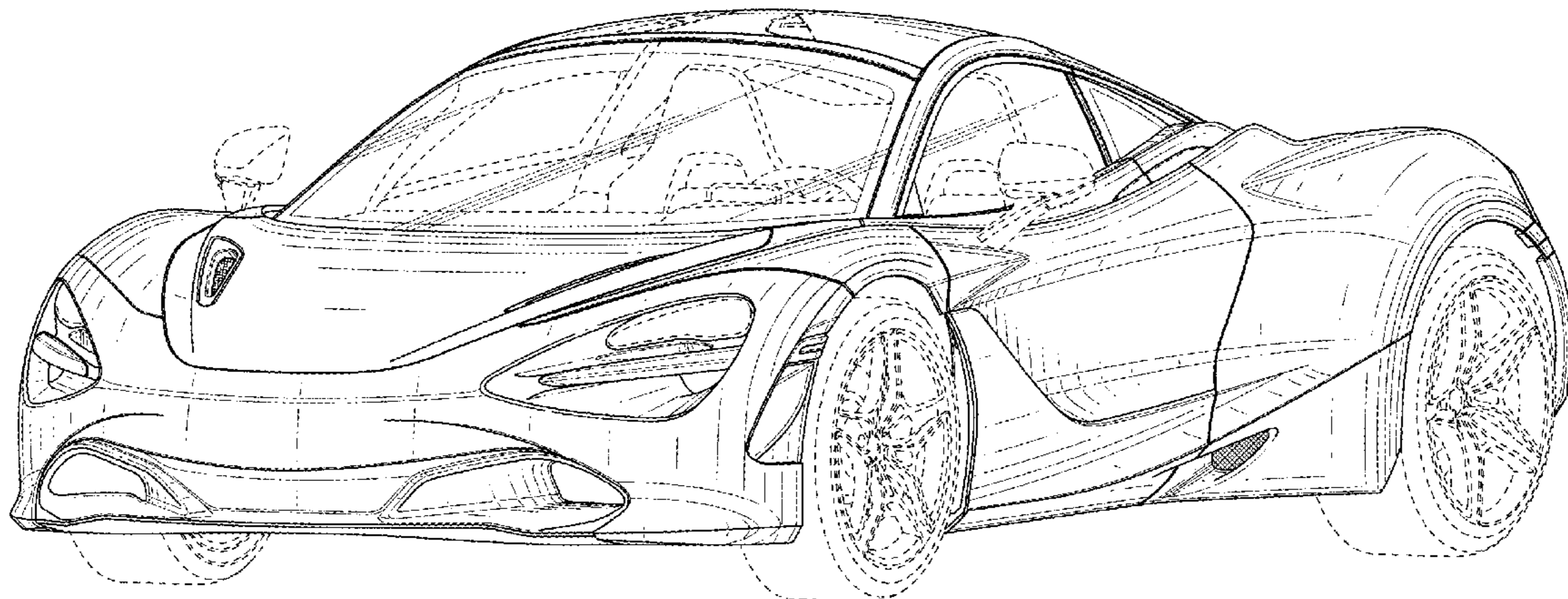
FIG. 5 is a front elevation view thereof; and

FIG. 6 is a rear elevation view thereof; and,

FIG. 7 is a top plan view thereof.

The invention is shown together with environmental structure in broken lines in FIGS. 1-7, the environmental structure forming no part of the claimed design.

**1 Claim, 6 Drawing Sheets**



(56)

## References Cited

## U.S. PATENT DOCUMENTS

D546,486 S	7/2007	Sinkwitz	
D551,126 S	9/2007	Manfredini	
D554,780 S	11/2007	Sinkwitz	
D558,906 S	1/2008	Golden et al.	
D566,864 S	4/2008	Pfeiffer	
D586,011 S	2/2009	Pfeiffer	
D587,629 S	3/2009	Crijns	
D587,825 S	3/2009	Murkett	
D589,403 S	3/2009	Saracoglu	
D593,001 S	5/2009	Crijns	
D599,922 S	9/2009	Pfeiffer	
D608,696 S	1/2010	Bauer et al.	
D612,769 S	3/2010	Cimatti	
D617,018 S	6/2010	Schell et al.	
D617,683 S	6/2010	Beneggi	
D626,478 S	11/2010	Stephenson	
D628,124 S	11/2010	Stephenson	
D628,526 S	12/2010	Stephenson	
D634,867 S	3/2011	Frenzel et al.	
D636,102 S	4/2011	Matei et al.	
D637,112 S	5/2011	Saracoglu	
D643,558 S	8/2011	Antoniadis et al.	
D648,662 S	11/2011	Stephenson	
D658,318 S	4/2012	Futschik et al.	
D659,593 S	5/2012	Robinson	
D660,473 S	5/2012	Frenzel et al.	
D664,475 S	7/2012	Takahashi	
D670,203 S	11/2012	Weil	
D671,457 S	11/2012	Goto et al.	
D684,897 S	6/2013	Kim	
D704,596 S	5/2014	Saracoglu	
D717,211 S	11/2014	Stephenson	
D717,212 S	11/2014	Thurner et al.	
D724,495 S	3/2015	Majdandzic	
D734,212 S	* 7/2015	Stephenson	D12/92
D734,213 S	7/2015	Stephenson	
D741,753 S	10/2015	Perini	
D745,439 S	12/2015	Manzoni	
D753,548 S	4/2016	Gilles	
D755,674 S	5/2016	Perini	
D756,847 S	5/2016	Nicoghosian et al.	
D767,446 S	9/2016	Stephenson	
D780,063 S	2/2017	Stephenson	
D781,747 S	3/2017	Stephenson	
D793,909 S	* 8/2017	Jeung	D12/92
D801,227 S	10/2017	Stephenson	
D804,355 S	12/2017	Stephenson	

## OTHER PUBLICATIONS

Certificate of Registration for European Community design, CTM No. 000346226-0001, registered May 20, 2005, 5 pgs.

Certificate of Registration for European Community design, CTM No. 001608936-0001, register Aug. 9, 2009, 5 pgs.

Certificate of Registration for European Community design, CTM No. 002067058-0001, registered Jul. 2, 2012, 5 pgs.

Johnson, Erik. "2014 McLaren P1 : \$1.15M, F1-Style Tech, and Limited to 375". Car and Driver Website Mar. 11, 2014 [online]. [retrieved on May 30, 2014]. Retrieved from the Internet: <URL: <http://caranddriver.com/news/2014-mclaren-p1-official-photos-and-info-news>>.

Barari, Arman. Renderings: McLaren MP4-12C Convertible. Website [online]. <http://www.motorward.com>, Oct. 15, 2009 [retrieved on Aug. 29, 2013]. Retrieved from the Internet: <URL: <http://www.motorward.com/2009/10/renderings-mclaren-mp4-12c-convertible/&-gt>>.

Kurczewski, Nick. 2012 McLaren MP4-12C Convertible. McLaren drop-top will exceed 200mph. Website [online]. <http://www.roadandtrack.com>, Jun. 15, 2011 [retrieved on Aug. 29, 2013]. Retrieved from the Internet: <URL: <http://www.roadandtrack.com/go/first-looks/2012-mclaren-mp4-12c-convertible>>.

Sherman, Don. 2012 McLaren MP4-12C. A Horse With No Name: We finally get behind the wheel of Ferrari's worst nightmare and

find its surprisingly pleasant. Website [online]. <http://www.caranddriver.com>, Feb. 14, 2011 [retrieved on Aug. 29, 2013]. Retrieved from the Internet: <URL: <http://www.caranddriver.com/reviews/2012-mclaren-mp4-12c-first-drive-rev>>.

Joseph, Noah. Along Came a Spyder: McLaren MP4-12C production plans include retractable hardtop. Website [online]. <http://www.autoblog.com>, Oct. 7, 2009 [retrieved on Aug. 29, 2013]. Retrieved from the Internet: <URL: <http://www.autoblog.com/2009/10/07/along-came-a-spyder-mclaren-mp4-12c-production-plans-include-re/>>.

"McLaren Formula 1 DNA Meets the Thrill of Open Top Driving in the New 12C Spider: McLaren Automotive Media Centre", released on Jul. 3, 2012, <http://www.media.mclarenautomotive.com/release/141/>.

"McLaren P1 Aims for Pole Position with Global Debut in Paris", released on Sep. 27, 2012, <http://www.media.mclarenautomotive.com/release/156/>.

U.S. Appl. No. 29/440,834—Office Action dated Sep. 27, 2013, 14 pages.

U.S. Appl. No. 29/440,834—Response to Office Action dated Sep. 27, 2013, filed Jan. 17, 2014, 8 pages.

U.S. Appl. 29/440,834—Final Office Action dated Apr. 29, 2014, 9 pages.

U.S. Appl. No. 29/450,475—Office Action dated Jun. 16, 2014, 13 pages.

U.S. Appl. No. 29/450,475—Response to Office Action dated Jun. 16, 2014, filed Oct. 3, 2014, 14 pages.

U.S. Appl. No. 29/450,475—Final Office Action dated Feb. 10, 2015, 9 pages.

U.S. Appl. No. 29/530,730—Office Action dated Sep. 14, 2016, 8 pages.

U.S. Appl. No. 29/565,627, filed May 23, 2016, 7 pages.

U.S. Appl. No. 29/527,356—Notice of Allowance dated Nov. 4, 2016, 7 pages.

U.S. Appl. No. 29/532,362—Notice of Allowance dated Nov. 4, 2016, 12 pages.

U.S. Appl. No. 29/530,730—Final Office Action dated Feb. 8, 2017, 16 pages.

U.S. Appl. No. 29/357,079—Notice of Allowance dated Jul. 8, 2010, 7 pages.

U.S. Appl. No. 29/357,079—Notice of Allowance dated Oct. 12, 2010, 10 pages.

U.S. Appl. No. 29/440,834—Response to Final Office Action dated Apr. 29, 2014, filed Jul. 11, 2014, 23 pages.

U.S. Appl. No. 29/440,834—Notice of Allowance dated Aug. 15, 2014, 14 pages.

U.S. Appl. No. 29/530,730—Response to Office Action dated Sep. 14, 2016, filed Dec. 13, 2016, 6 pages.

U.S. Appl. No. 29/485,634—Notice of Allowance dated Mar. 31, 2015, 10 pages.

U.S. Appl. No. 29/485,646—Notice of Allowance dated Mar. 31, 2015, 10 pages.

U.S. Appl. No. 29/527,271—Notice of Allowance dated May 26, 2016, 12 pages.

U.S. Appl. No. 29/527,271—Notice of Allowance (Corrected) dated Jun. 29, 2016, 4 pages.

U.S. Appl. No. 29/527,356—Notice of Allowance dated Jul. 14, 2016, 12 pages.

U.S. Appl. No. 29/527,357—Notice of Allowance dated Jul. 15, 2016, 12 pages.

U.S. Appl. No. 29/532,362—Notice of Allowance dated Sep. 1, 2016, 10 pages.

U.S. Appl. No. 29/532,362—Notice of Allowance dated Feb. 2, 2017, 4 pages.

U.S. Appl. No. 29/357,079, filed Mar. 5, 2010, 10 pages.

U.S. Appl. No. 29/440,834, filed Dec. 27, 2012, 7 pages.

U.S. Appl. No. 29/440,834, filed Mar. 18, 2013, 9 pages.

U.S. Appl. No. 29/450,475, filed Mar. 18, 2013, 9 pages.

U.S. Appl. No. 29/530,730, filed Jun. 18, 2015, 12 pages.

U.S. Appl. No. 29/485,634, filed Mar. 20, 2014, 3 pages.

U.S. Appl. No. 29/485,646, filed Mar. 20, 2014, 3 pages.

U.S. Appl. No. 29/527,271, filed May 18, 2015, 9 pages.

U.S. Appl. No. 29/527,356, filed May 18, 2015, 8 pages.

(56)

**References Cited**

OTHER PUBLICATIONS

U.S. Appl. No. 29/527,357, filed May 18, 2015, 8 pages.  
U.S. Appl. No. 29/532,362—Notice of Allowance dated Jul. 6,  
2015, 8 pages.  
U.S. Appl. No. 29/594,630, filed Feb. 21, 2017, 7 pages.  
U.S. Appl. No. 29/594,821, filed Feb. 22, 2017, 11 pages.  
U.S. Appl. No. 29/596,450, filed Mar. 8, 2017, 8 pages.  
Ferrari F430 Design Application 000216650-0001.  
K-1 Attack Roadster Design Application 681218-0002.  
<http://www.k-1attack.com/en/sucasna-modelova-rada.k1>.

\* cited by examiner

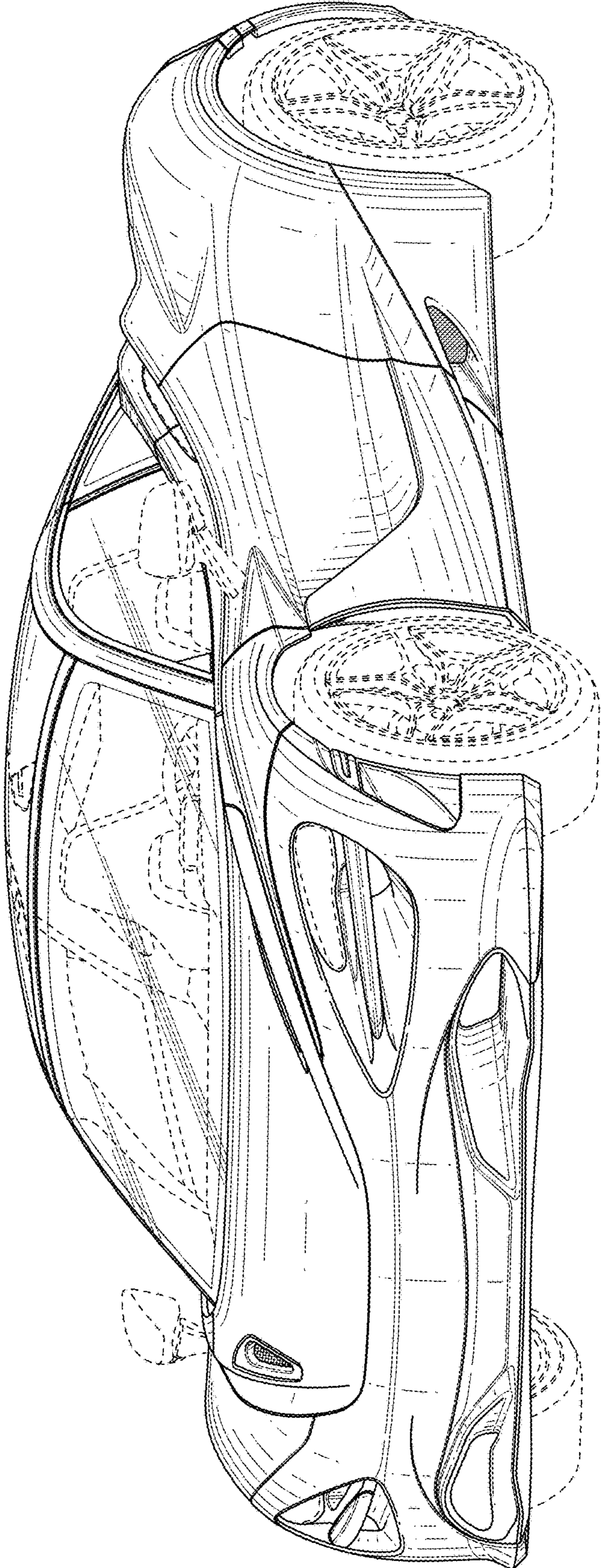


Fig. 1

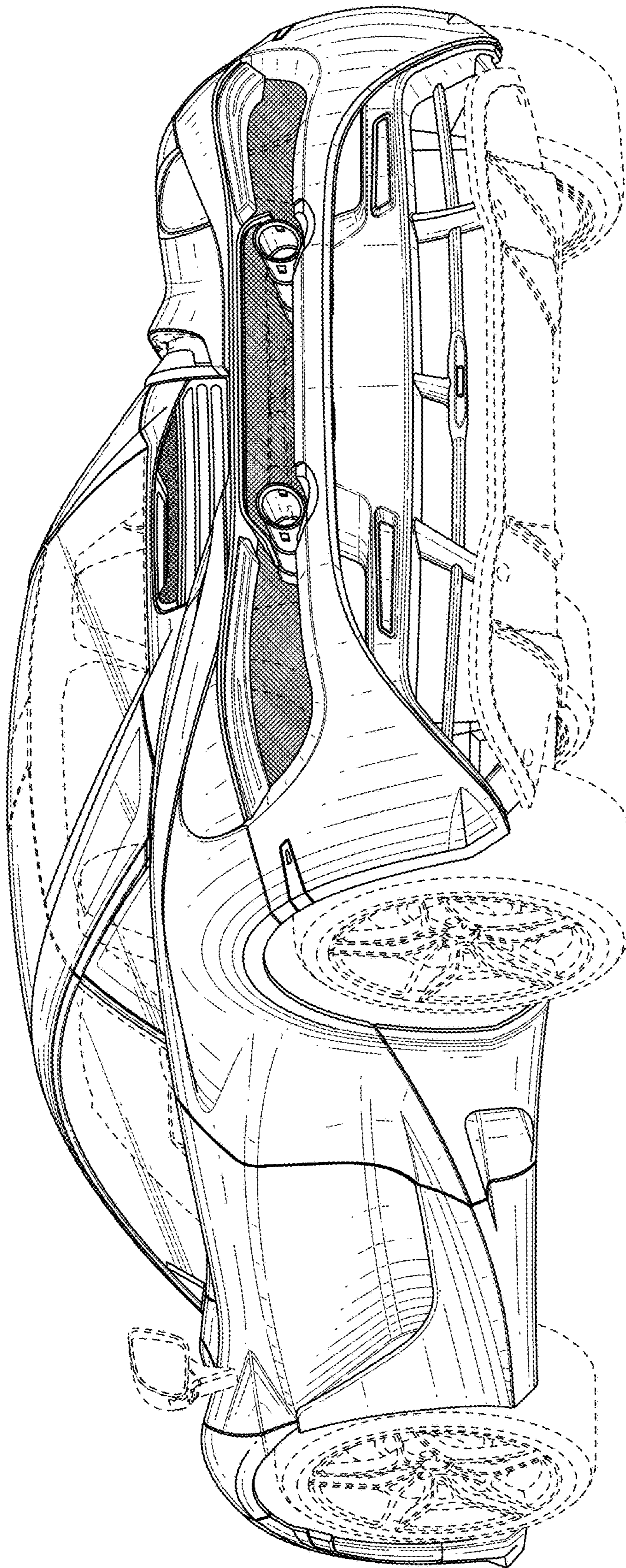


Fig. 2

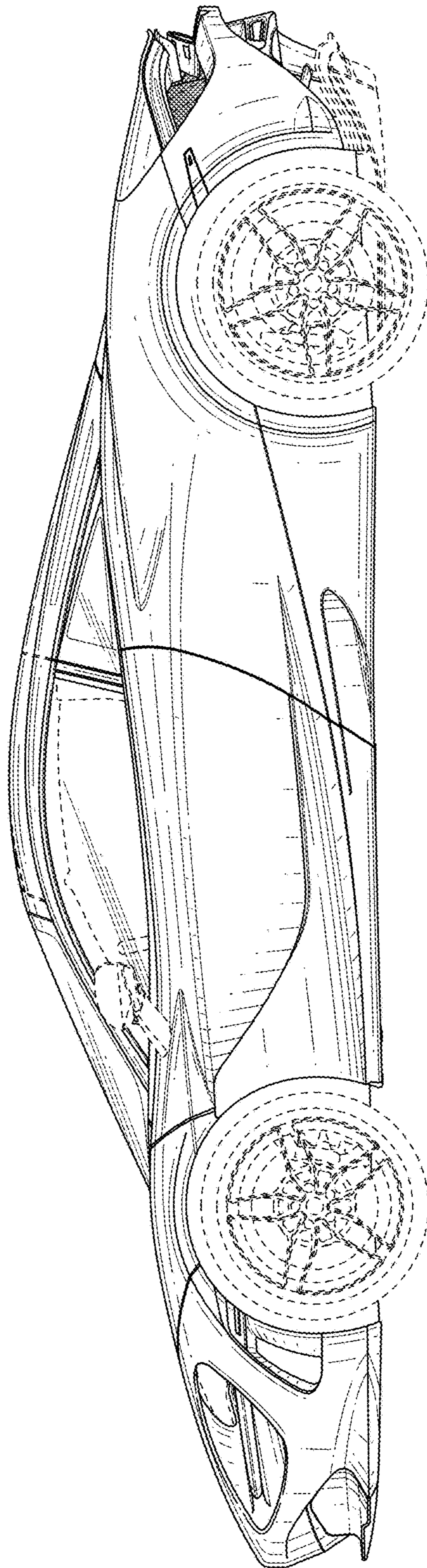


Fig. 3

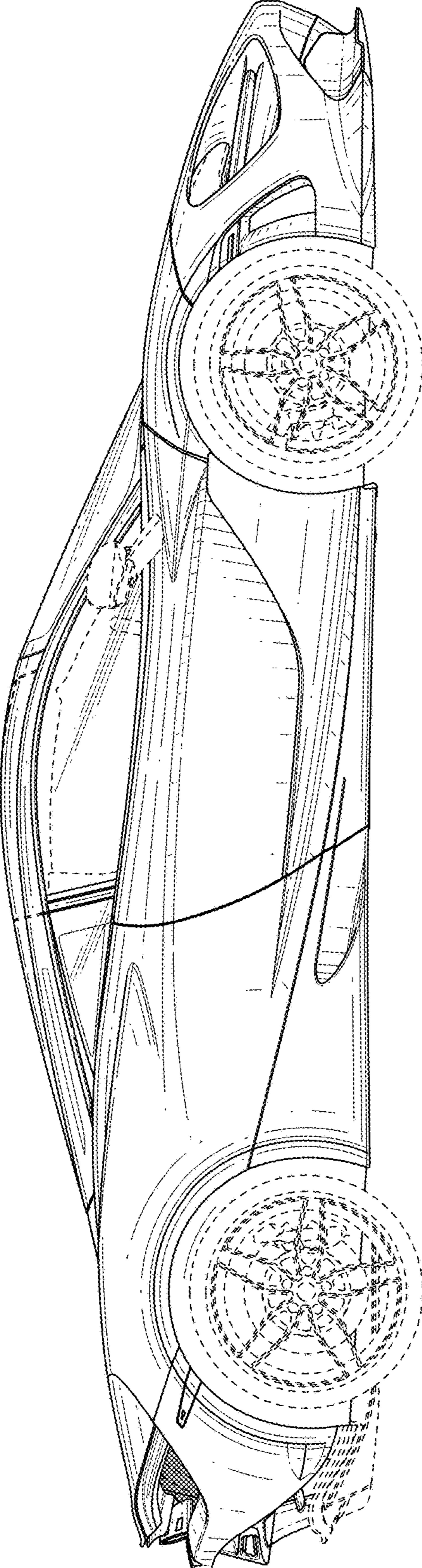


Fig. 4

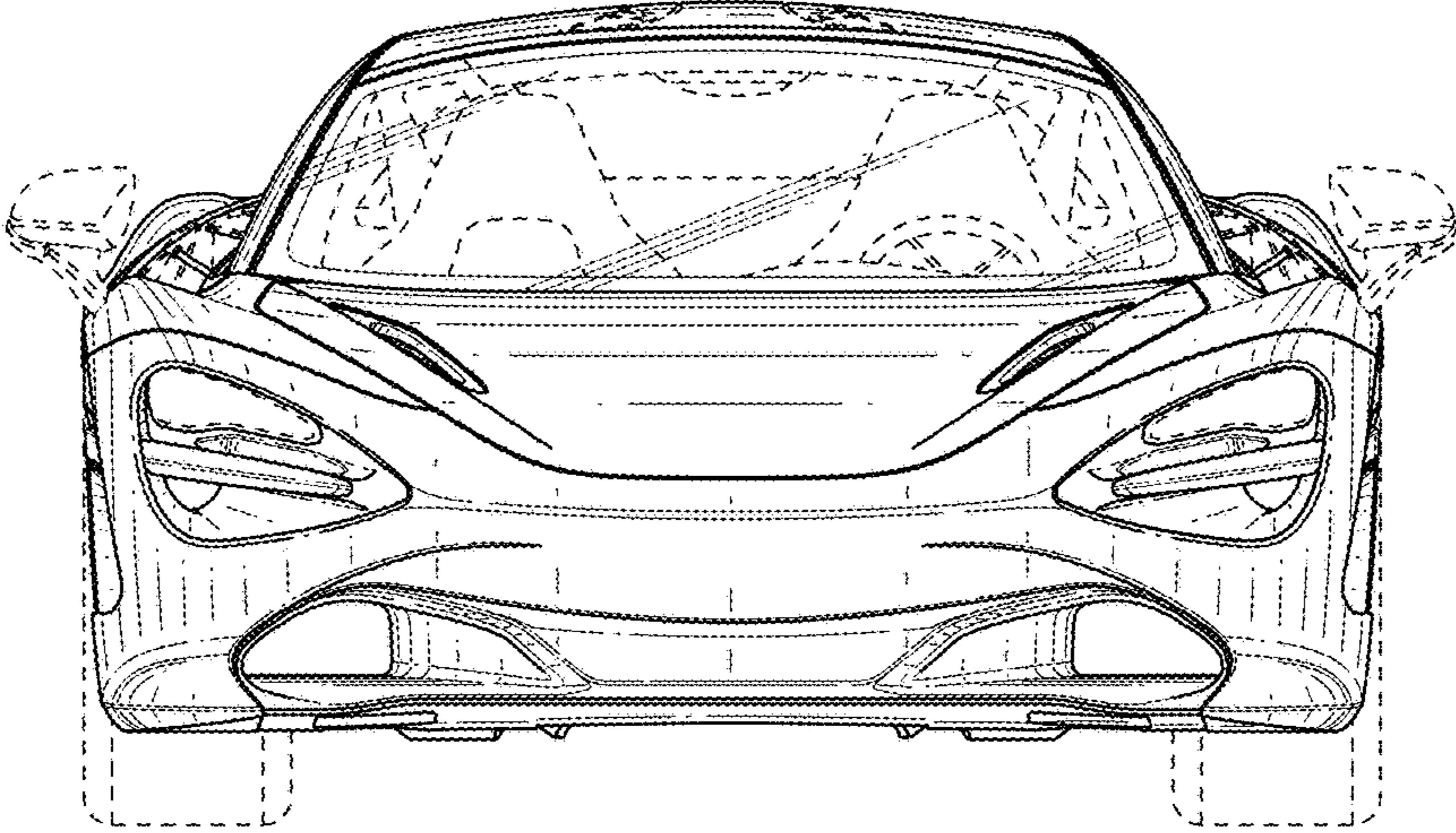


Fig. 5

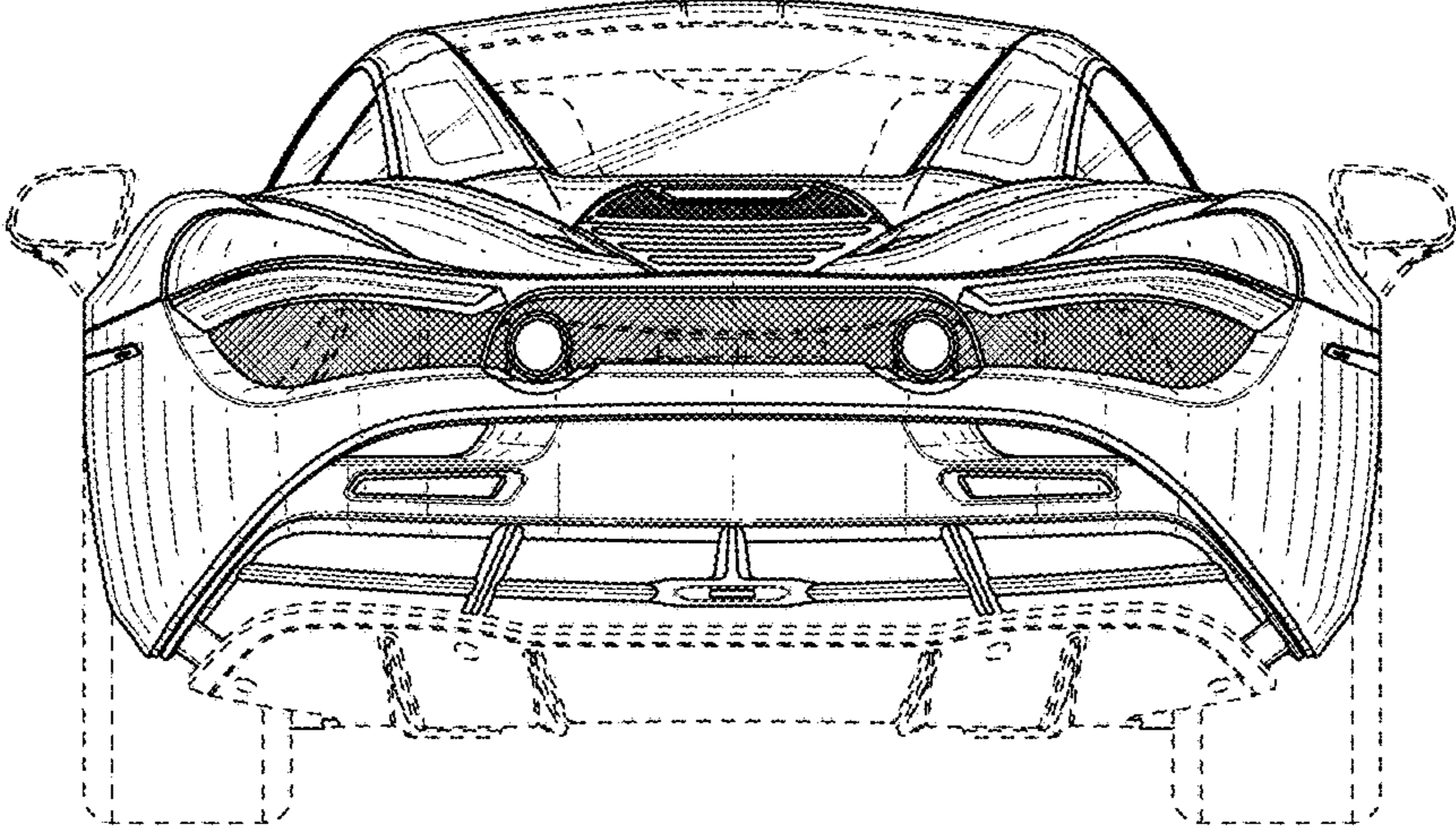


Fig. 6



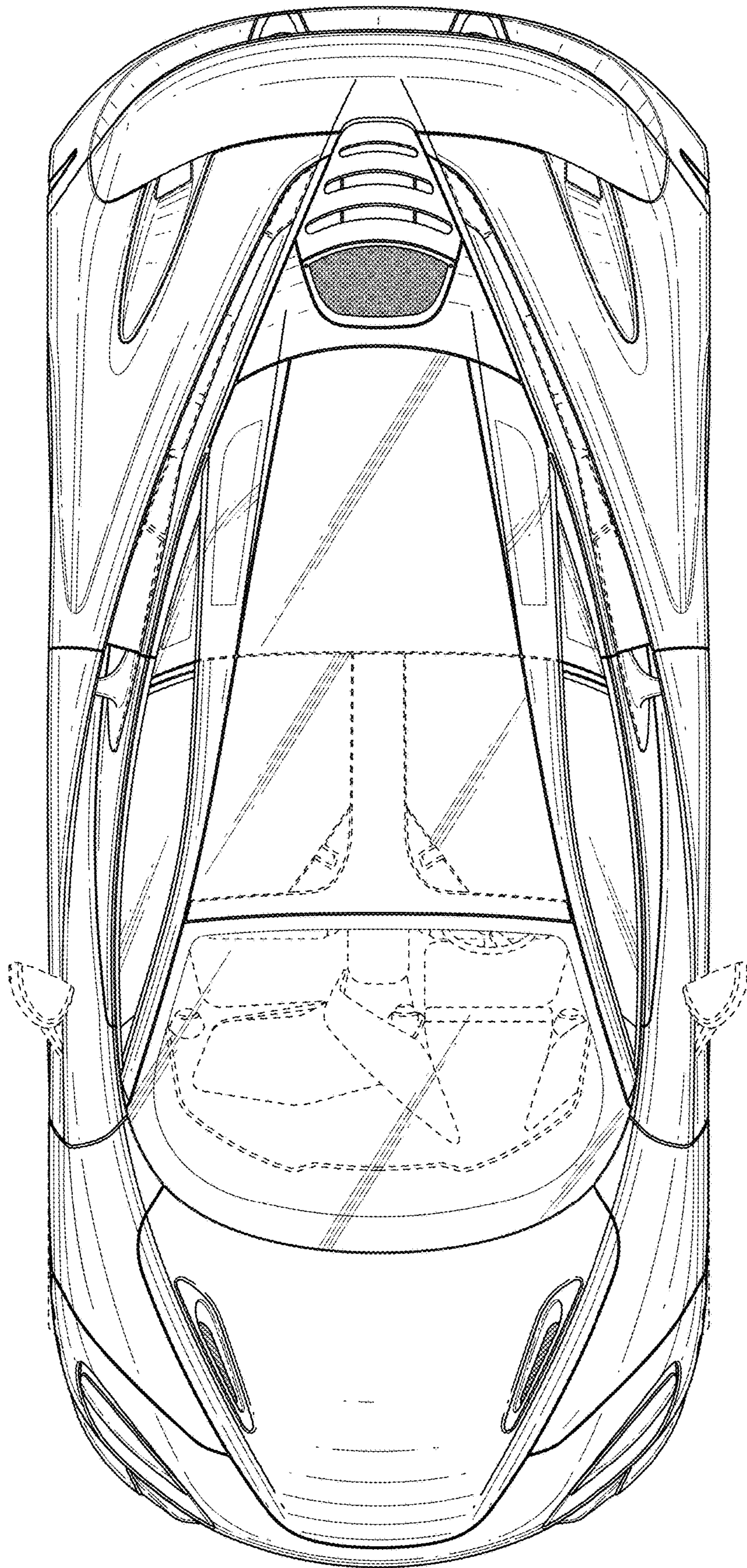


Fig. 7