



US00D823723S

(12) **United States Design Patent**
Brendel

(10) **Patent No.:** **US D823,723 S**
(45) **Date of Patent:** **** Jul. 24, 2018**

(54) **MOTOR VEHICLE OR REPLICA THEREOF**

(71) Applicant: **AUDI AG**, Ingolstadt (DE)

(72) Inventor: **Christian Brendel**, Ingolstadt (DE)

(73) Assignee: **AUDI AG**, Ingolstadt (DE)

(**) Term: **15 Years**

(21) Appl. No.: **29/578,991**

(22) Filed: **Sep. 27, 2016**

(30) **Foreign Application Priority Data**

Mar. 29, 2016 (EM) 003047000-0001
Mar. 29, 2016 (EM) 003047034-0001

(51) **LOC (11) Cl.** **12-08**

(52) **U.S. Cl.**
USPC **D12/92**

(58) **Field of Classification Search**
USPC D12/90-92, 164, 169, 196;
296/181.1-181.5; D21/548, 560
CPC B60Y 2306/01; B60K 11/085
See application file for complete search history.

(56) **References Cited**

U.S. PATENT DOCUMENTS

D406,798 S * 3/1999 Sacco D12/92
D629,718 S * 12/2010 Reichman D12/92
D671,036 S * 11/2012 Inatomi D12/92
D679,221 S * 4/2013 Tomatsu D12/92
D682,740 S * 5/2013 Tomatsu D12/92
D684,095 S * 6/2013 Beaven D12/82
D684,900 S * 6/2013 Doyle D12/92
D706,174 S 6/2014 Garand et al.

D719,878 S * 12/2014 Webber D12/92
D737,175 S * 8/2015 Telaak D12/92
D748,535 S * 2/2016 Hatton D12/92
D756,849 S * 5/2016 Garcia Lopez D12/92
D781,184 S * 3/2017 Thole D12/92

FOREIGN PATENT DOCUMENTS

KR 300748966 6/2013
WO DM/080724 3/2013

* cited by examiner

Primary Examiner — Garth Rademaker

Assistant Examiner — Melvin L Davis

(74) *Attorney, Agent, or Firm* — Lucas & Mercanti, LLP;
Klaus P. Stoffel

(57) **CLAIM**

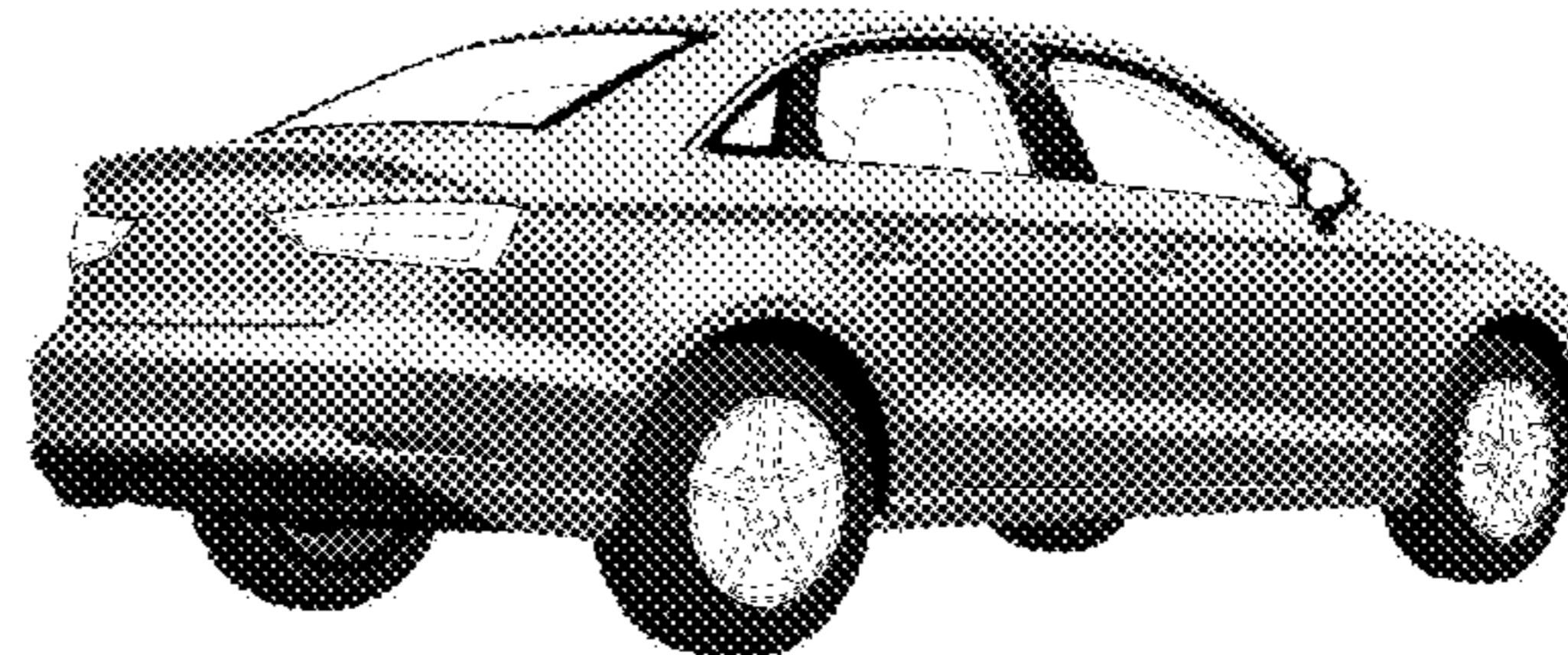
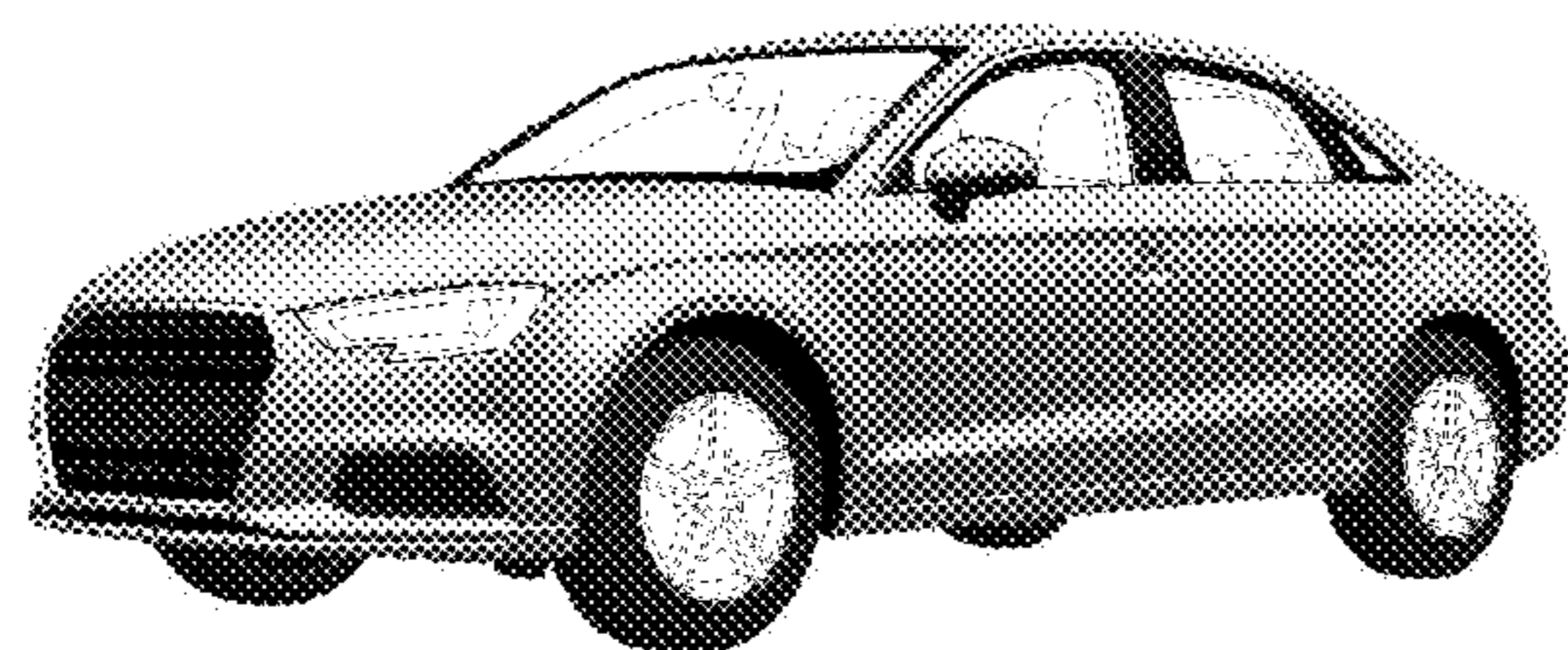
The ornamental design for a motor vehicle or replica thereof,
as shown and described.

DESCRIPTION

FIG. 1 is a front, right side perspective view of the motor
vehicle or replica thereof of the present invention;
FIG. 2 is a rear, left side perspective view thereof;
FIG. 3 is a front view thereof;
FIG. 4 is a rear view thereof;
FIG. 5 is a right side view thereof;
FIG. 6 is a left side view thereof; and,
FIG. 7 is a top view thereof.

The portions of the motor vehicle depicted in broken lines
form no part of the claimed design.

1 Claim, 4 Drawing Sheets



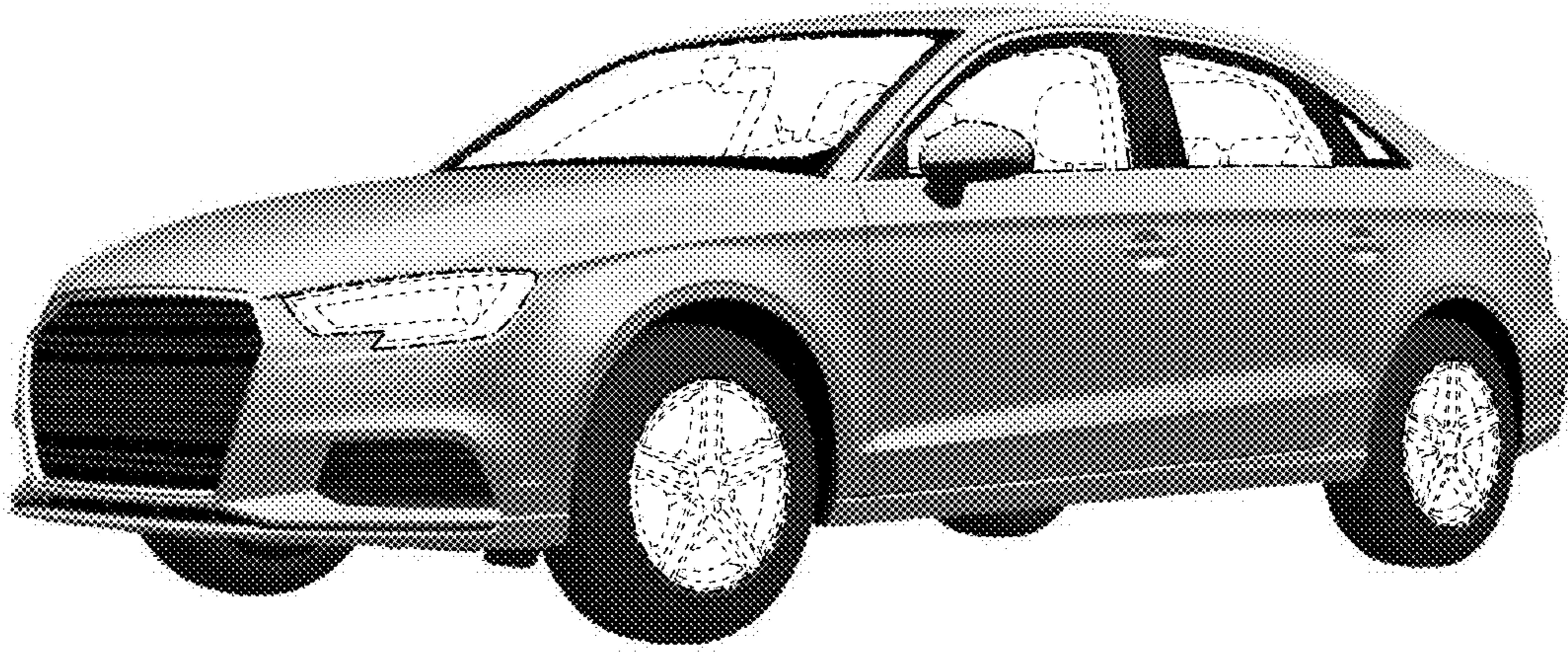


FIG. 1

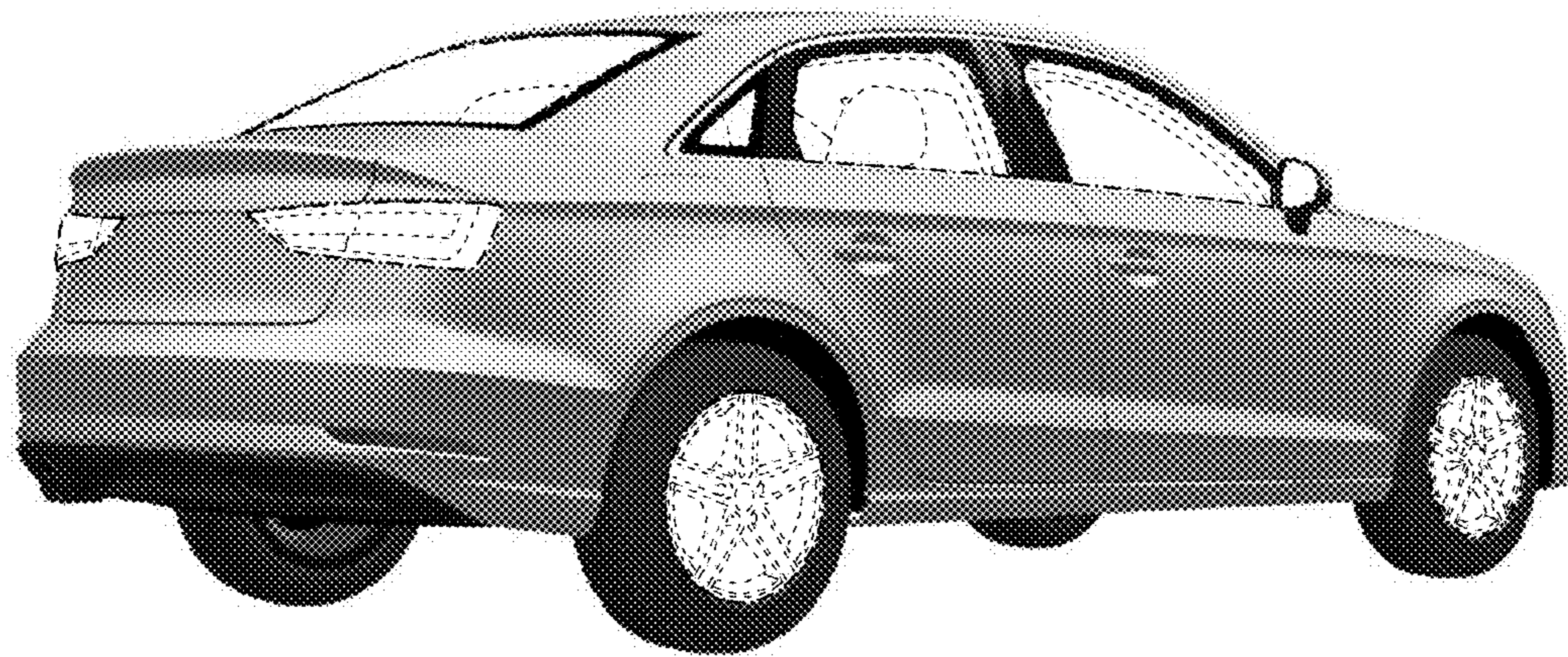


FIG. 2

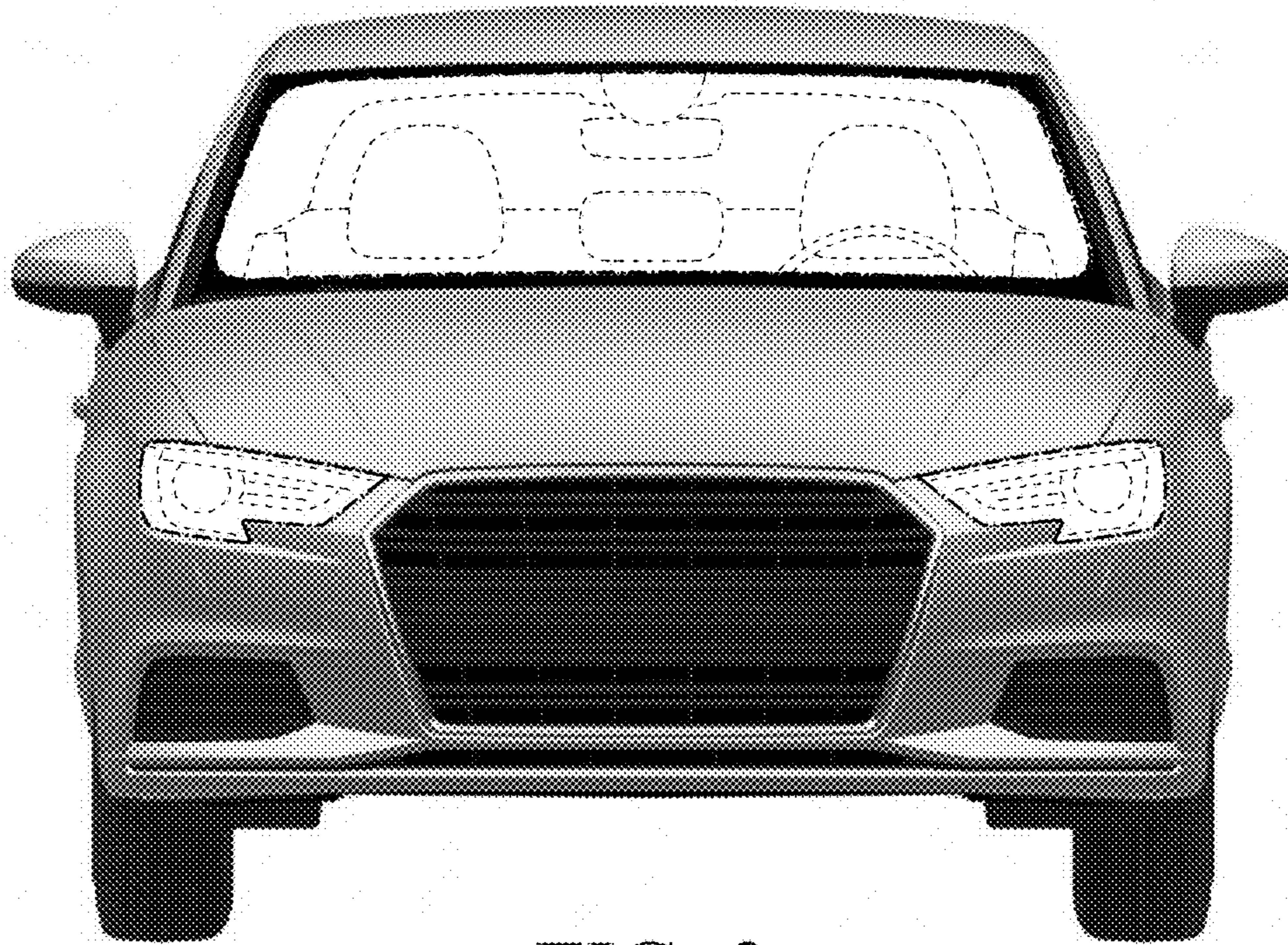


FIG. 3



FIG. 4

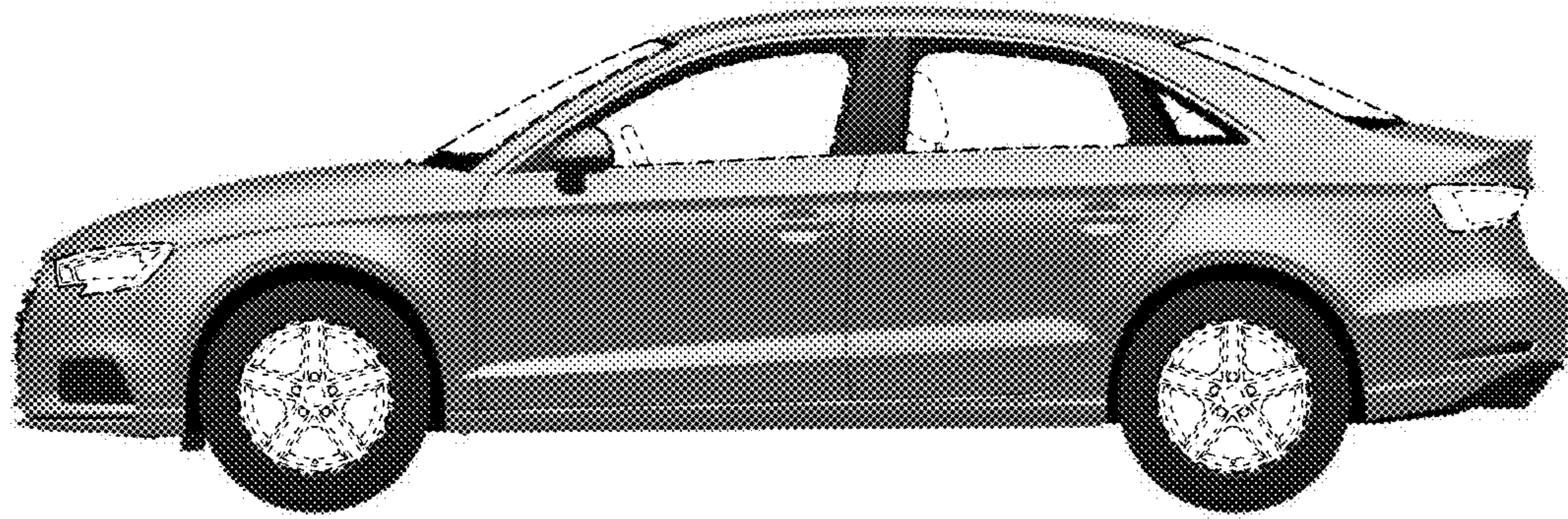


FIG. 5

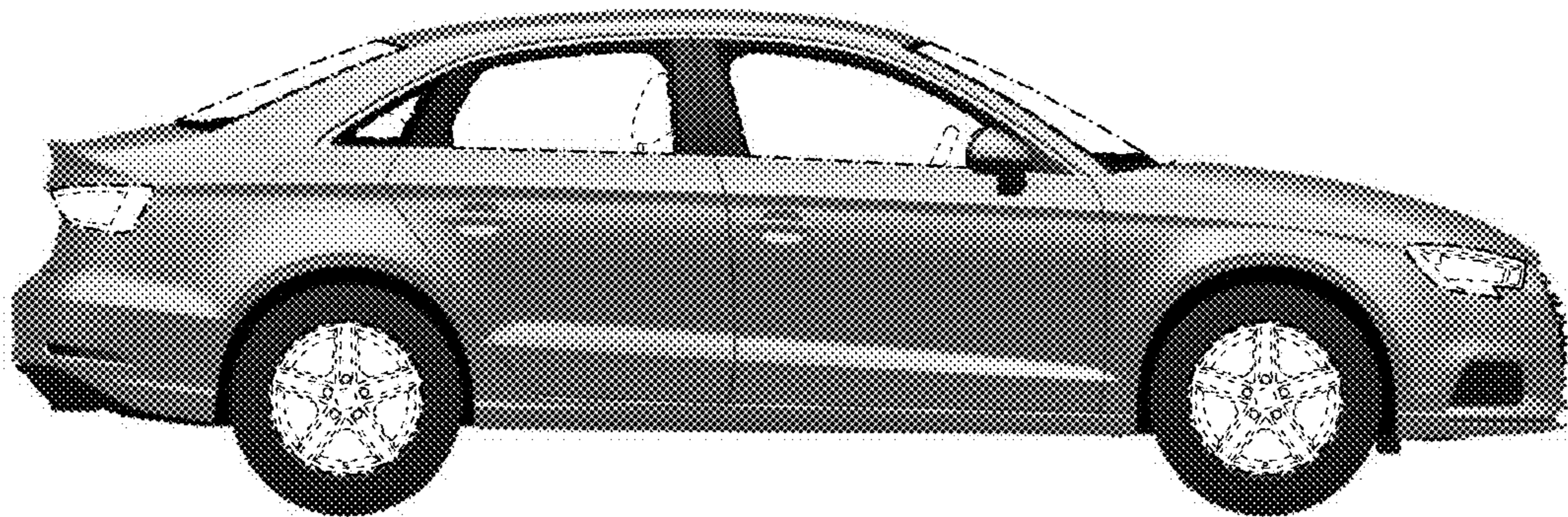


FIG. 6

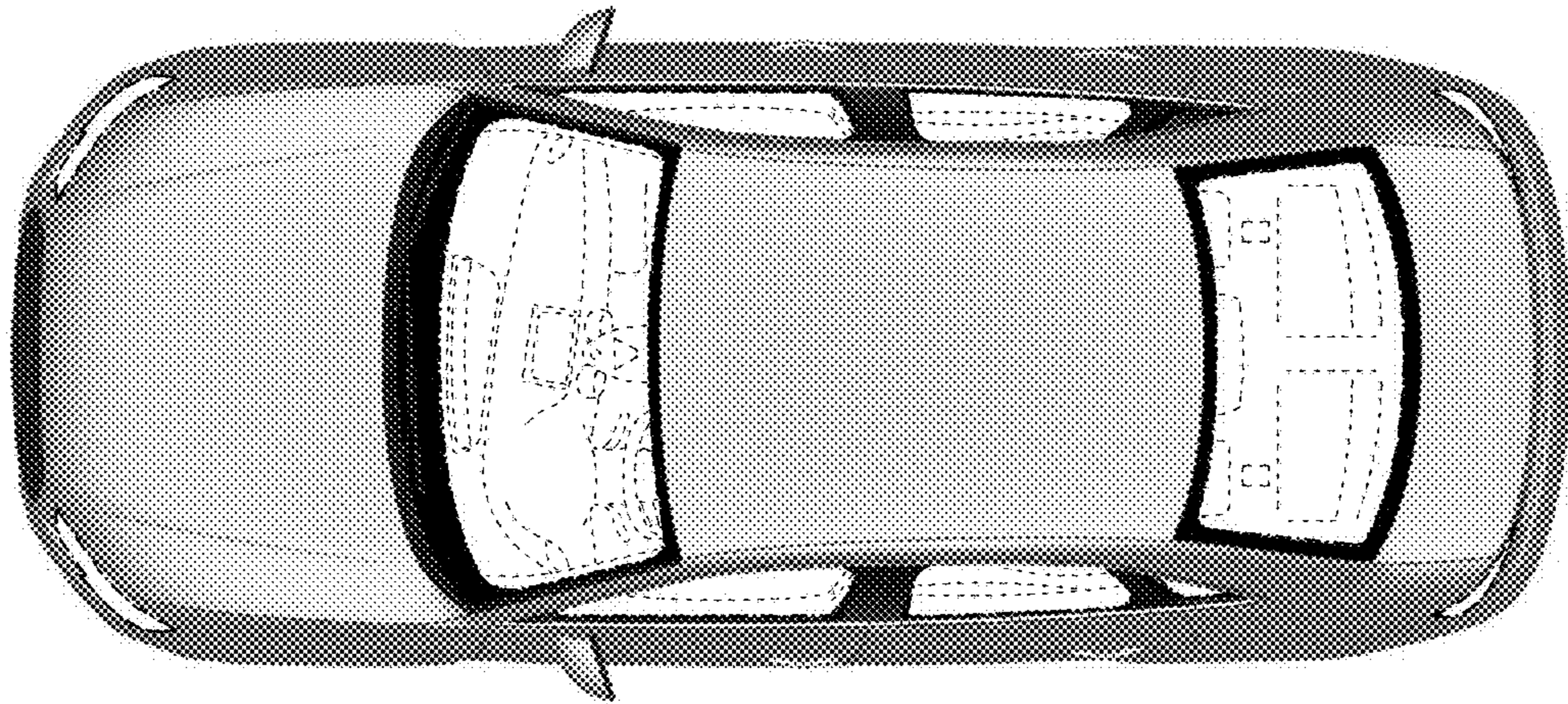


FIG. 7