



US00D823720S

(12) **United States Design Patent**
McGranaghan

(10) **Patent No.:** **US D823,720 S**

(45) **Date of Patent:** **** Jul. 24, 2018**

- (54) **SINGLE CUFF CUFFLINK**
- (71) Applicant: **Donal McGranaghan**, Briarcliff Manor, NY (US)
- (72) Inventor: **Donal McGranaghan**, Briarcliff Manor, NY (US)
- (**) Term: **15 Years**
- (21) Appl. No.: **29/631,891**
- (22) Filed: **Jan. 3, 2018**
- (51) **LOC (11) Cl.** **02-07**
- (52) **U.S. Cl.**
USPC **D11/222**
- (58) **Field of Classification Search**
USPC D6/39-40; D8/367, 395
CPC A41B 7/00; A41B 7/02; A41B 7/04; A41B 7/10; A41F 15/00; A41F 15/02; A41F 19/005; A44B 1/14; A44B 1/18; A44B 1/20; A44B 1/28; A44B 1/32; A44B 1/38; A44B 1/44; A44B 17/0011; A44B 3/00; A44B 3/02; A44B 3/04; A44B 5/00; A44B 5/02; A44B 5/002; A44B 5/005; A44B 6/00; A44C 3/00; A44C 3/002; A44C 3/004; A44C 3/005; A44C 3/008; A44C 7/00; A44C 7/002
See application file for complete search history.

- 1,482,385 A * 2/1924 Cohen A44B 3/00 24/90.1
- 1,488,594 A * 4/1924 Gaschke A41F 15/02 24/543
- 1,577,138 A * 3/1926 Mays A44B 5/00 24/102 P
- 1,819,163 A * 8/1931 Guidetti A44B 5/00 24/102 P
- 2,009,941 A * 7/1935 Mix A44B 6/00 24/564
- 2,085,715 A * 6/1937 Kayn A44B 6/00 24/66.2
- 2,459,703 A * 1/1949 Howard A44B 5/00 24/97
- D363,453 S * 10/1995 Herdt D11/78.1
- D374,500 S * 10/1996 Yasuda D28/39
- D566,539 S * 4/2008 Hicks D8/395
- D586,503 S * 2/2009 Lau D28/39

(Continued)

FOREIGN PATENT DOCUMENTS

CN 105520279 1/2016

Primary Examiner — Ian Simmons
Assistant Examiner — Mark Cavanna

(57) **CLAIM**

The ornamental design for a single cuff cufflink, as shown and described.

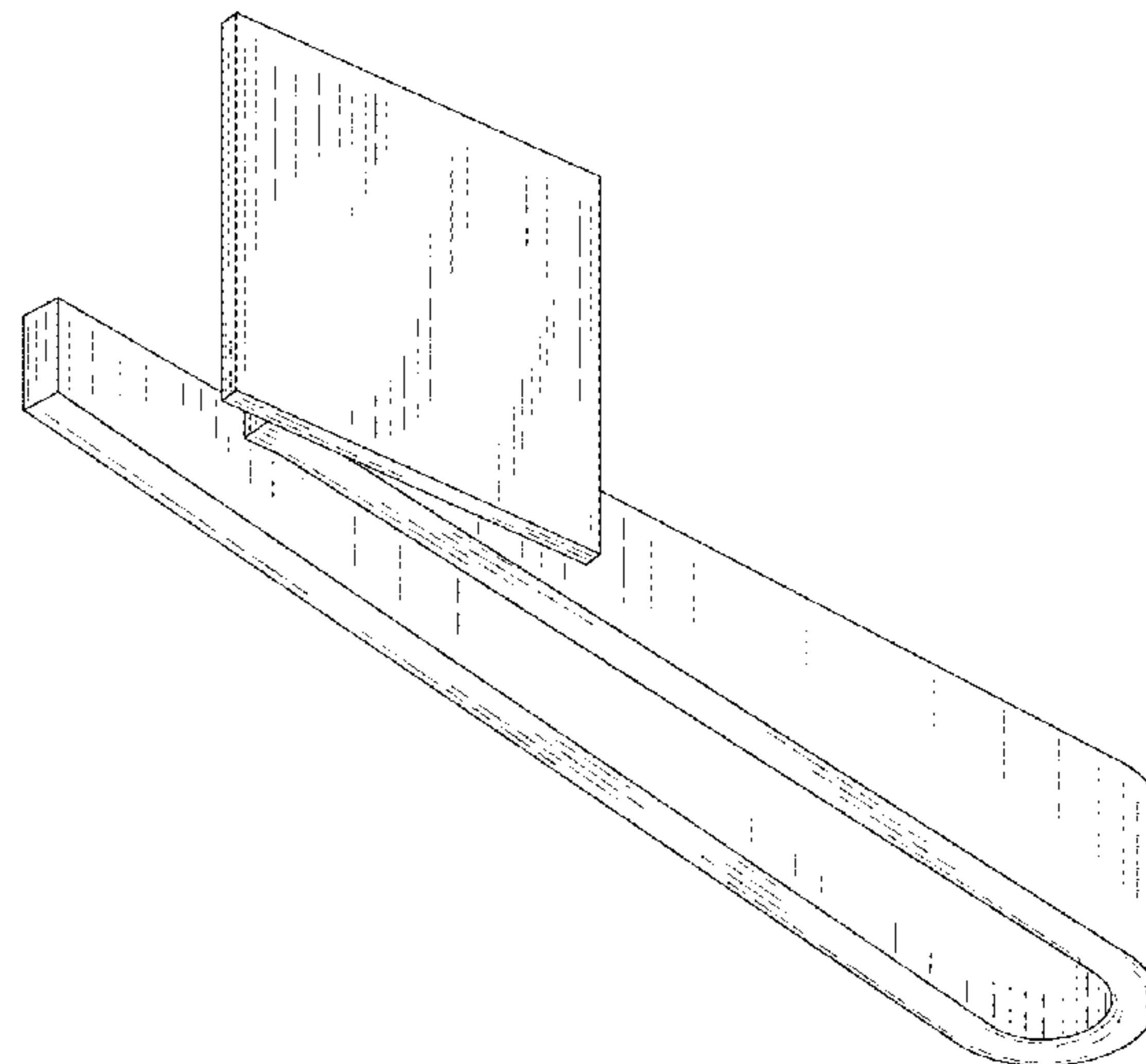
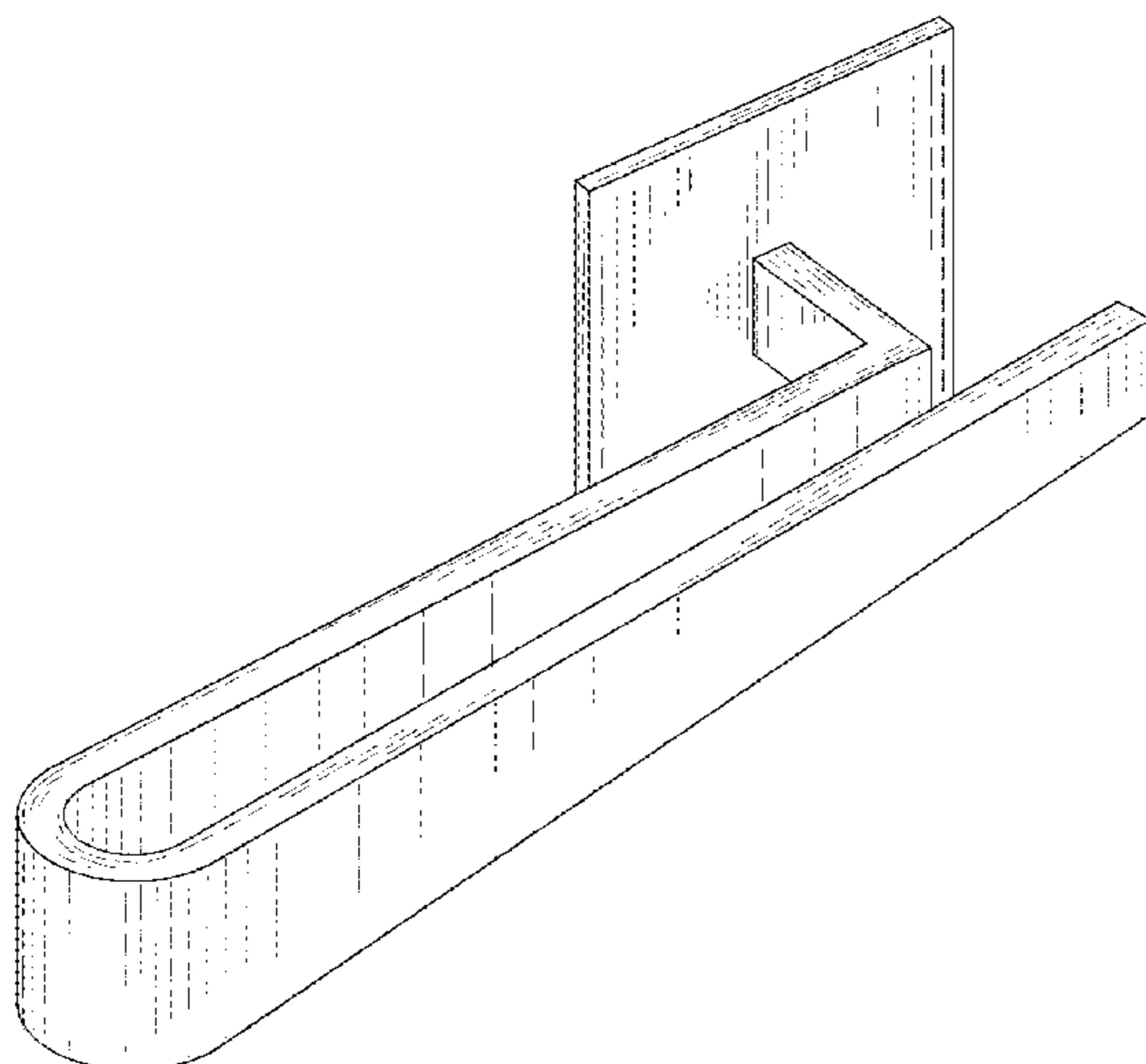
DESCRIPTION

FIG. 1 is a front top perspective view of a single cuff cufflink showing my new design;
FIG. 2 is a bottom back perspective view thereof;
FIG. 3 is a front view thereof;
FIG. 4 is a back view thereof;
FIG. 5 is a top view thereof;
FIG. 6 is a bottom view thereof;
FIG. 7 is a left view thereof; and,
FIG. 8 is a right view thereof.

1 Claim, 8 Drawing Sheets

(56) **References Cited**
U.S. PATENT DOCUMENTS

- 1,017,865 A * 2/1912 Gates A44B 5/00 24/102 FC
- 1,350,222 A * 8/1920 Hall A44B 5/00 24/102 FC
- 1,381,846 A * 6/1921 Maker A44B 6/00 24/563
- 1,391,620 A * 9/1921 Faulk A44B 5/00 24/102 FC
- 1,462,332 A * 7/1923 Fried A44B 5/00 24/102 SL



(56)

References Cited

U.S. PATENT DOCUMENTS

D591,522	S	*	5/2009	Barrese	D8/367
D600,590	S	*	9/2009	Dejosia	D11/204
D614,479	S	*	4/2010	Barrese	D8/367
D636,293	S	*	4/2011	Dolce	D11/222
D686,910	S	*	7/2013	Towell, Jr.	D8/395
D702,112	S	*	4/2014	Cittadino	D8/367
D715,686	S	*	10/2014	Crafton	D11/202
D739,788	S	*	9/2015	Tang	D11/222
D764,831	S	*	8/2016	Rancatore, Jr.	D6/541
D781,571	S	*	3/2017	Moerer	D3/215
D801,214	S	*	10/2017	Zander	D11/202
2011/0203035	A1		8/2011	Kim		

* cited by examiner

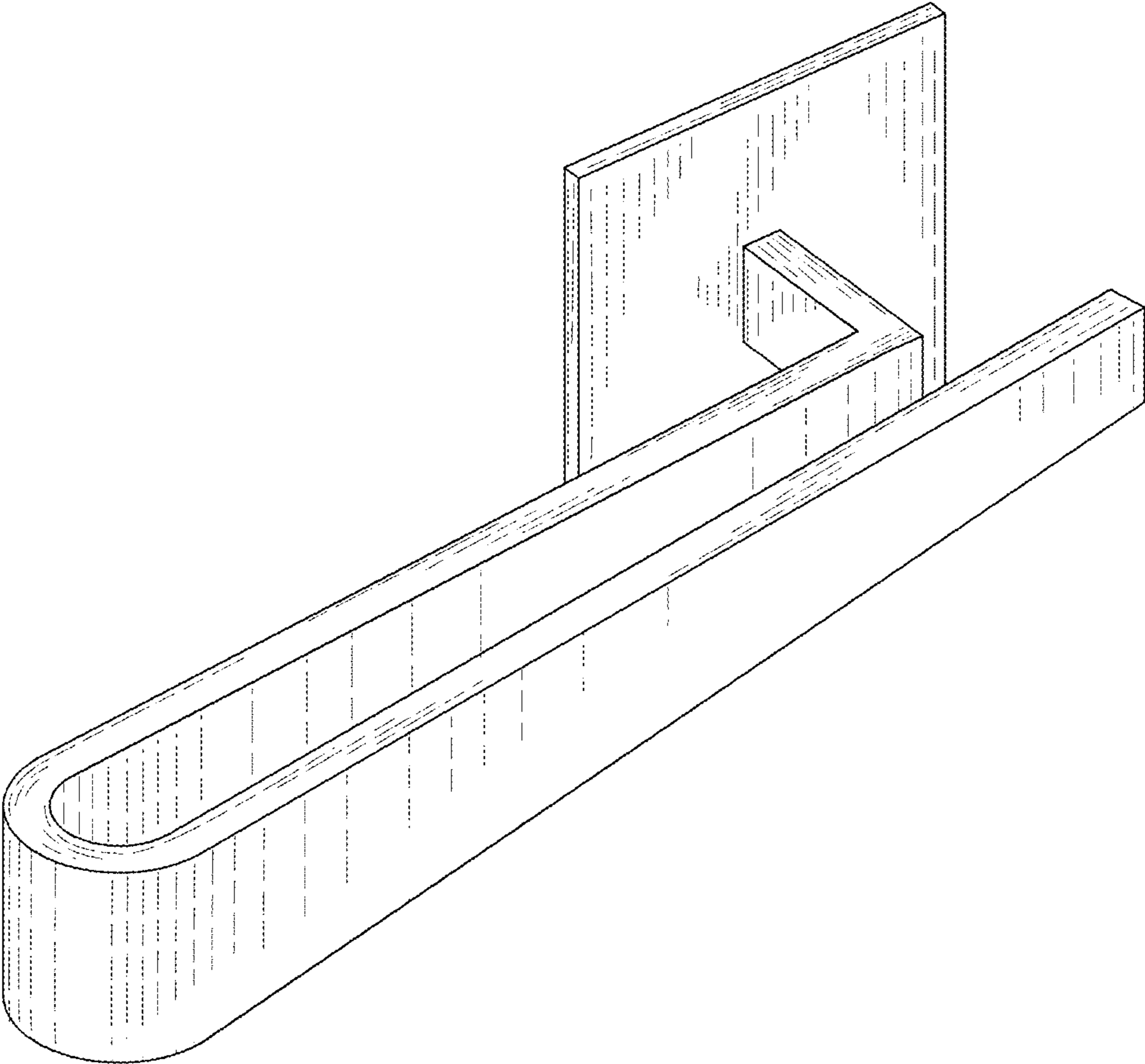


FIG. 1

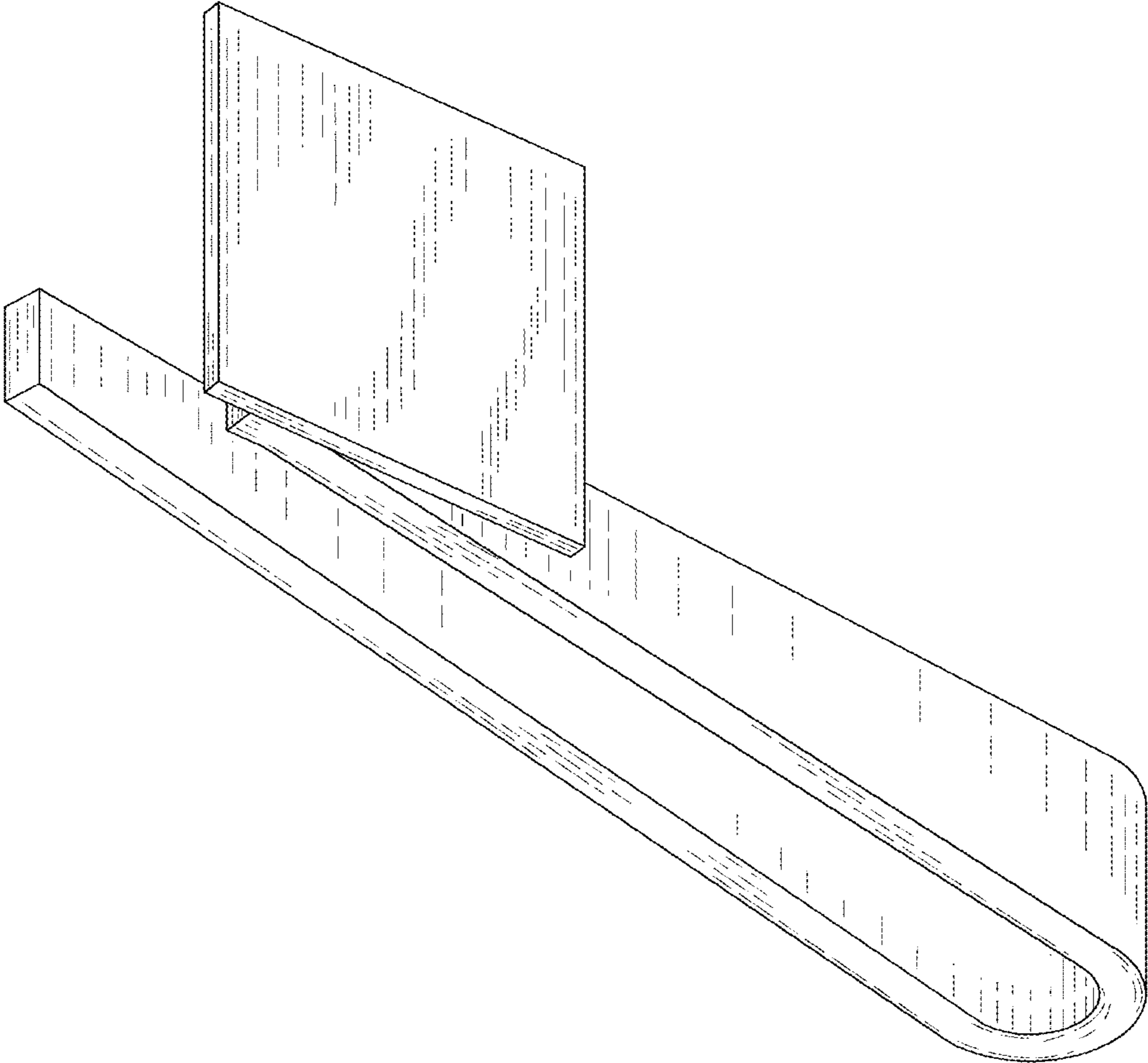


FIG. 2

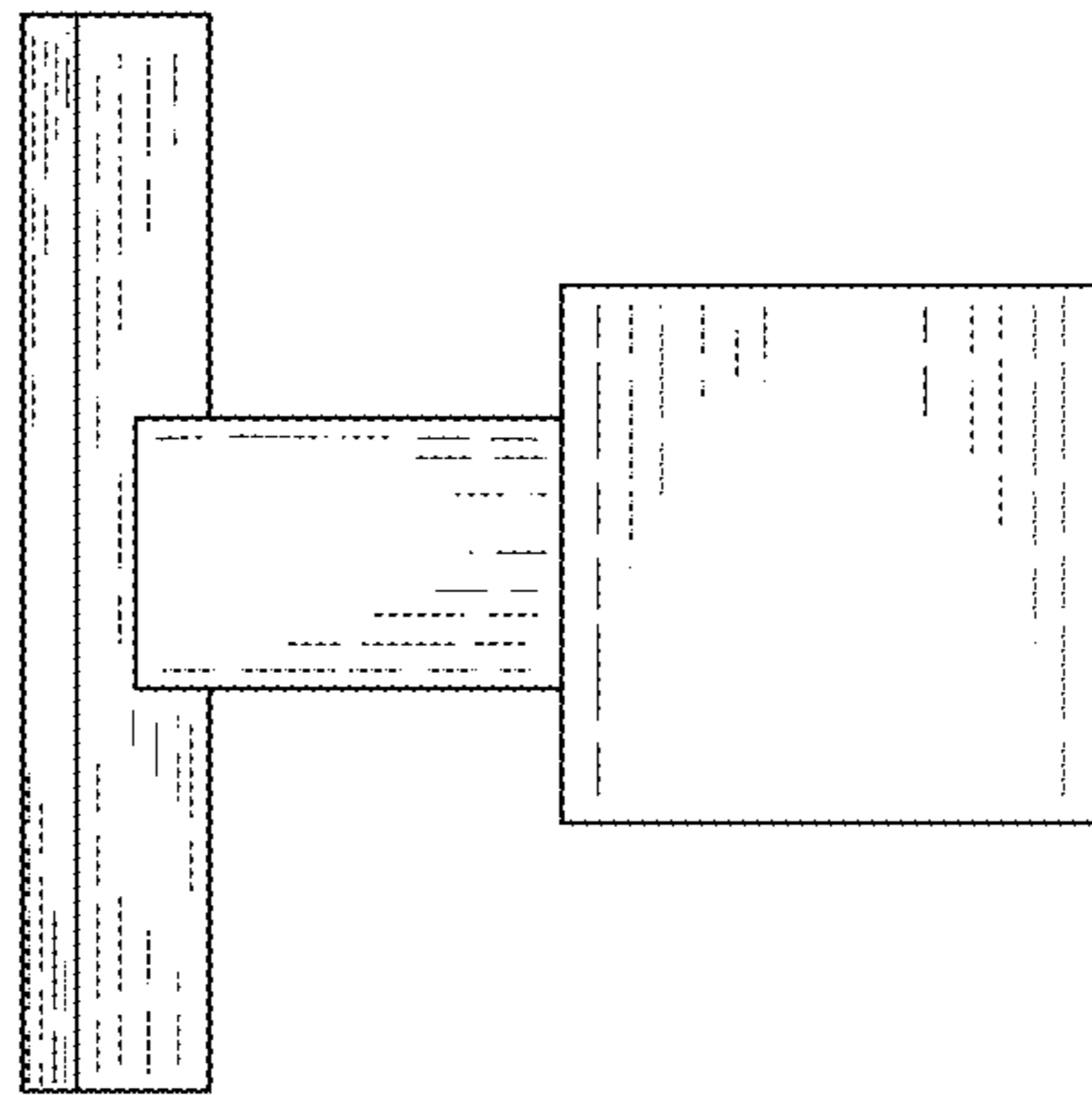


FIG. 3

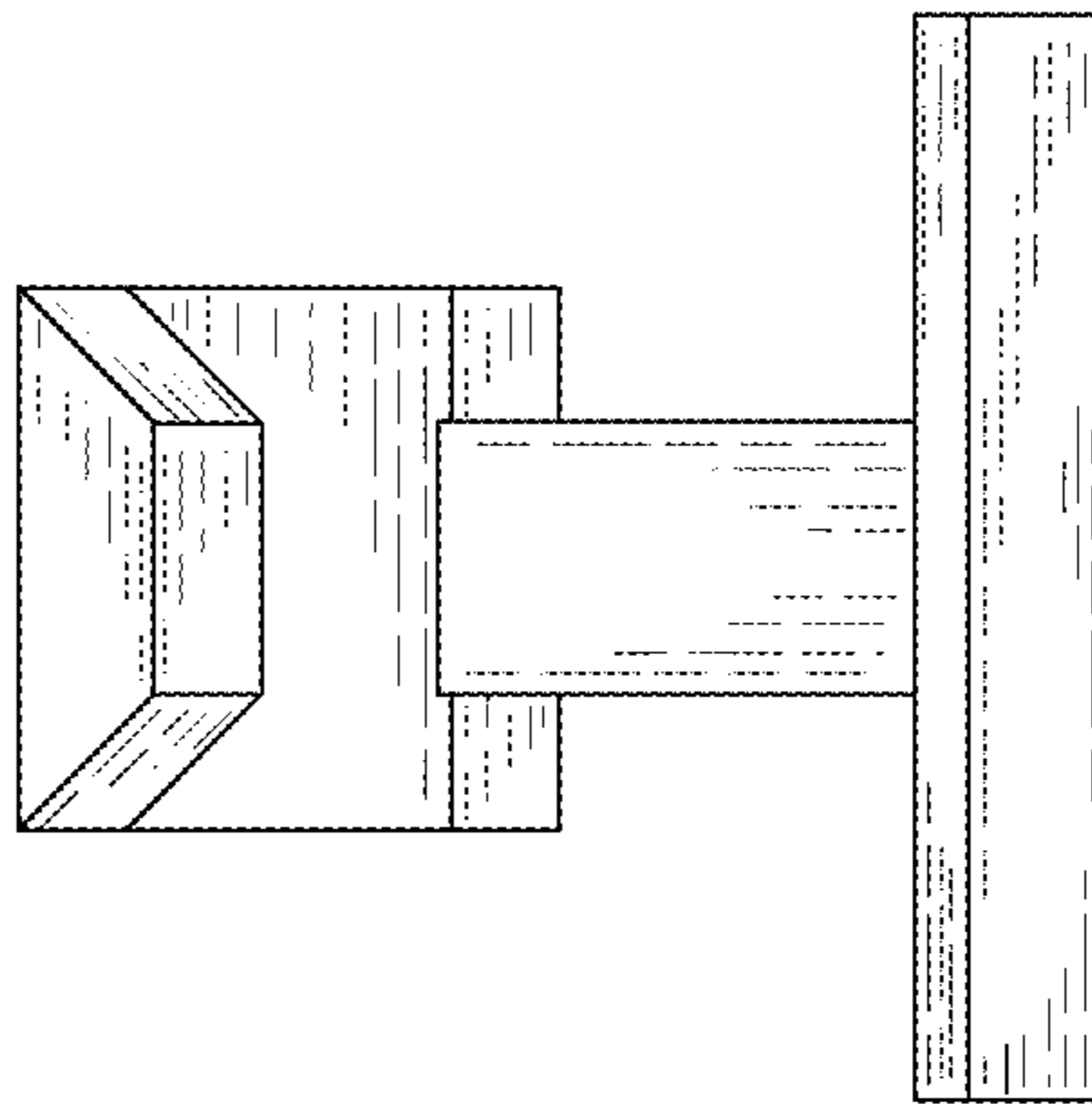


FIG. 4

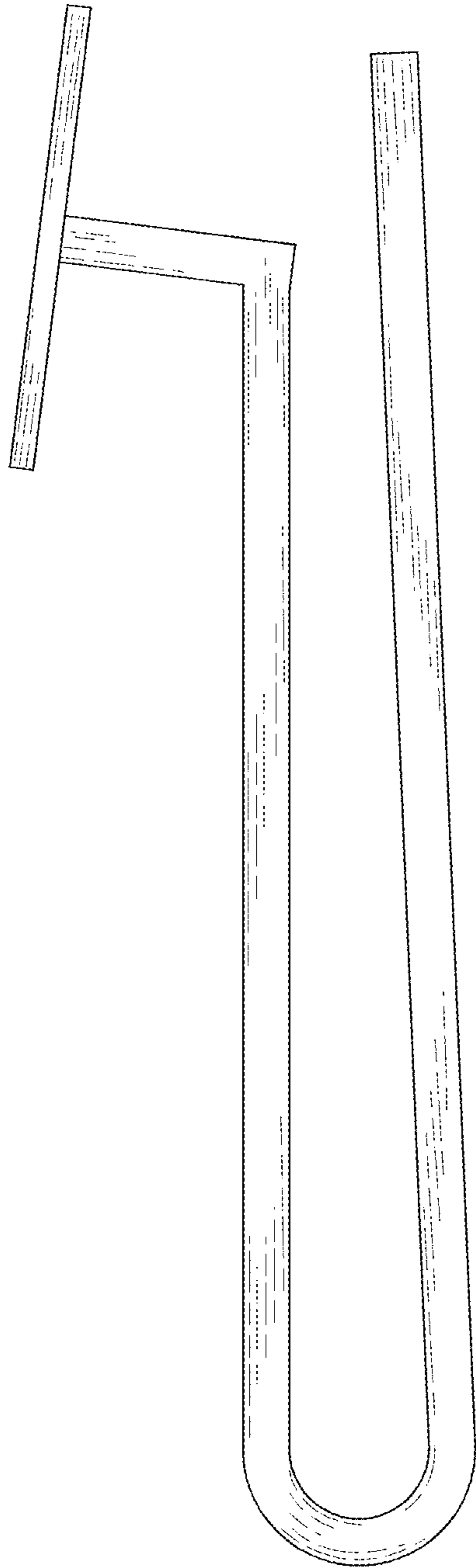


FIG. 5

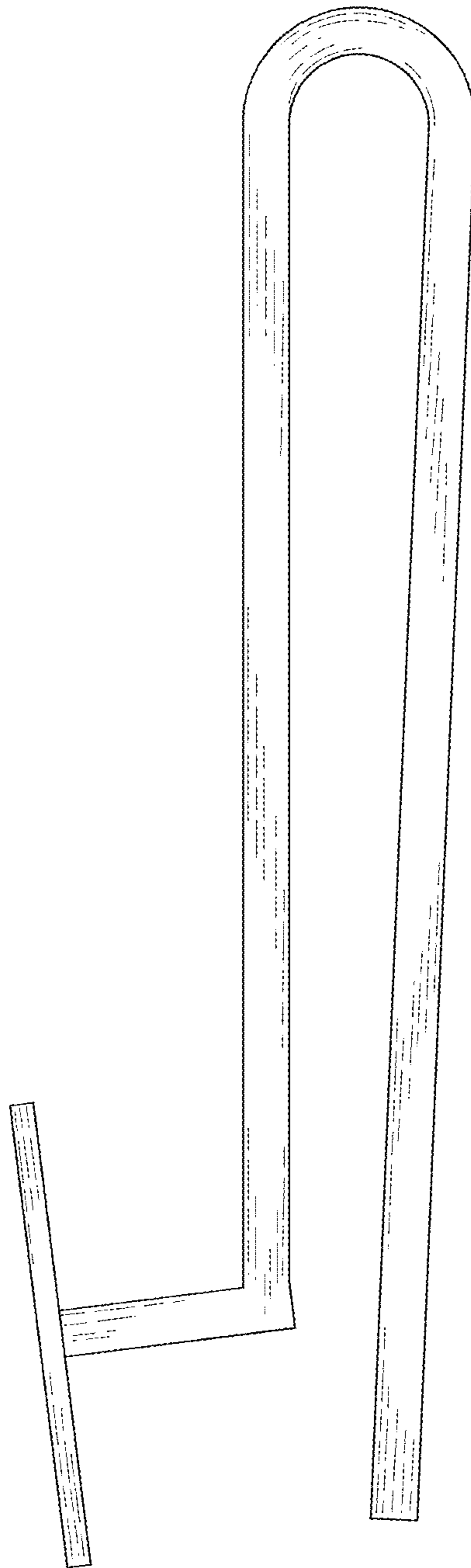


FIG. 6

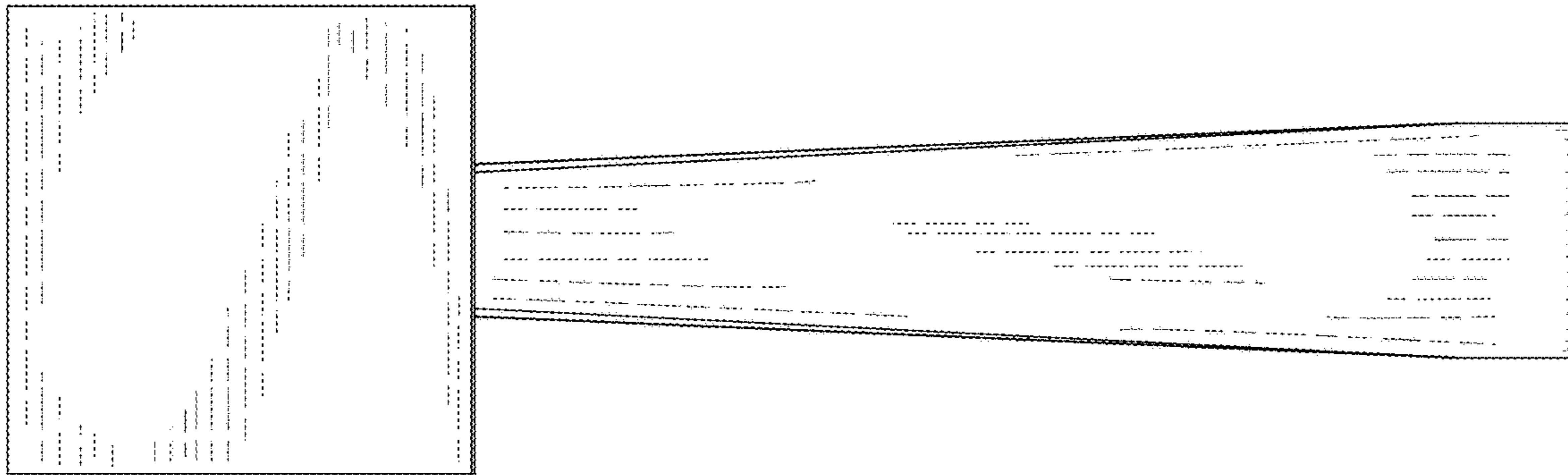


FIG. 7

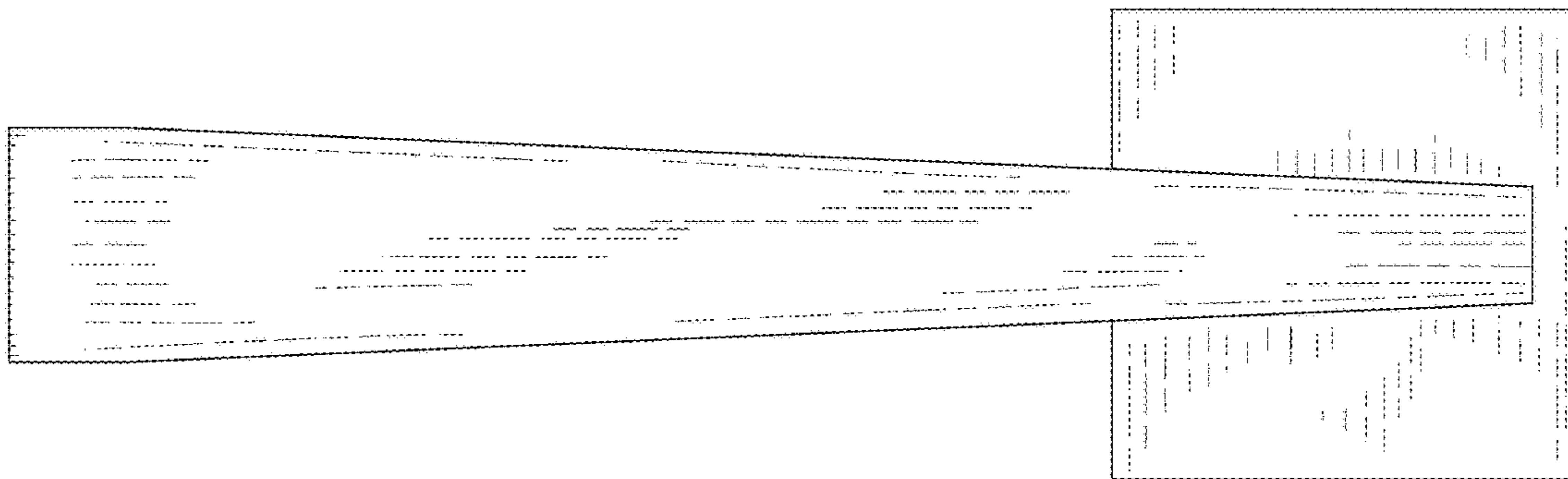


FIG. 8