



US00D823719S

(12) **United States Design Patent** (10) **Patent No.:** **US D823,719 S**  
**Cheng** (45) **Date of Patent:** **\*\* Jul. 24, 2018**

(54) **SLIDE FASTENER TAPE**

A44B 19/06; A44B 19/34; A44B 19/40;  
A44B 19/52; G02C 3/003; A44H 37/06  
See application file for complete search history.

(71) Applicant: **UNITECH ZIPPER & MACHINERY CO., LTD.**, New Taipei (TW)

(56) **References Cited**

(72) Inventor: **Jung-Yuan Cheng**, New Taipei (TW)

U.S. PATENT DOCUMENTS

(73) Assignee: **Unitech Zipper & Machinery Co., Ltd.**, New Taipei (TW)

3,238,285 A \* 3/1966 Morin ..... A44B 19/04  
24/410  
9,386,826 B2 \* 7/2016 Lu ..... A44B 19/346  
9,462,854 B2 \* 10/2016 Kojima ..... A44B 19/06

\* cited by examiner

(\*\*) Term: **15 Years**

*Primary Examiner* — Ralf Seifert  
(74) *Attorney, Agent, or Firm* — Alan D. Kamrath;  
Kamrath IP Lawfirm, P.A.

(21) Appl. No.: **29/619,100**

(57) **CLAIM**

(22) Filed: **Sep. 27, 2017**

The ornamental design for a slide fastener tape, as shown and described.

(51) **LOC (11) Cl.** ..... **02-07**

**DESCRIPTION**

(52) **U.S. Cl.**

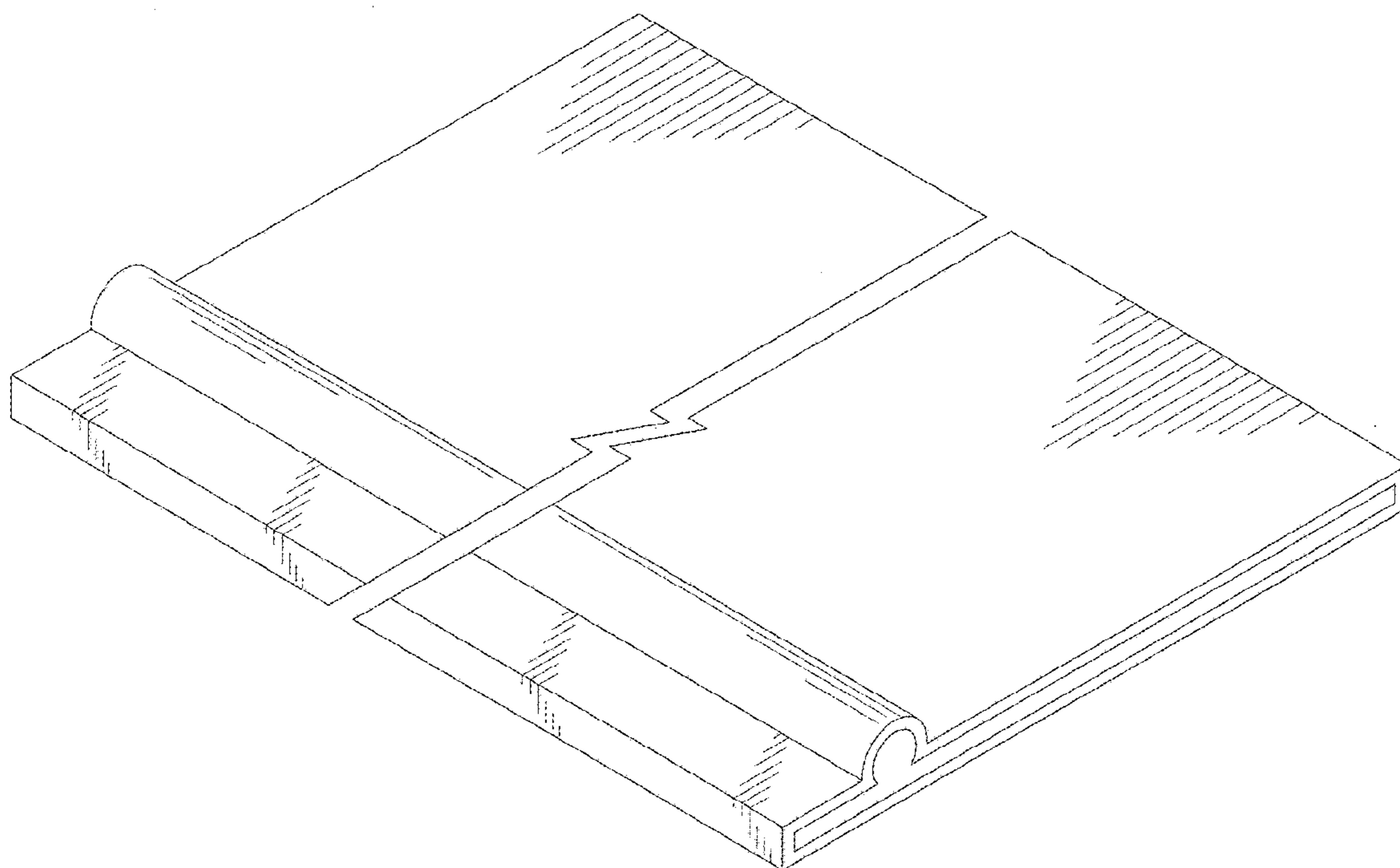
USPC ..... **D11/221**

(58) **Field of Classification Search**

USPC ..... D11/200, 201, 221; 24/381–383,  
24/385–389, 414–417, 421–422, 427–431,  
24/433; 2/265; D2/641, 642; 294/3.6;  
223/118; D8/33, 34, 40  
CPC ..... A44B 19/00; A44B 19/02; A44B 19/04;  
A44B 19/10; A44B 19/26; A44B 19/30;

FIG. 1 is a perspective view of a slide fastener tape showing our design;  
FIG. 2 is a front elevational view thereof;  
FIG. 3 is a rear elevational view thereof;  
FIG. 4 is a left elevational view thereof;  
FIG. 5 is a right elevational view thereof;  
FIG. 6 is a top plan view thereof;  
FIG. 7 is a bottom plan view thereof; and,  
FIG. 8 is a perspective view of the slide fastener tape with scoops mounted thereon, with the phantom lines being for illustrative purposes only and forming no part of the claimed design.

**1 Claim, 6 Drawing Sheets**



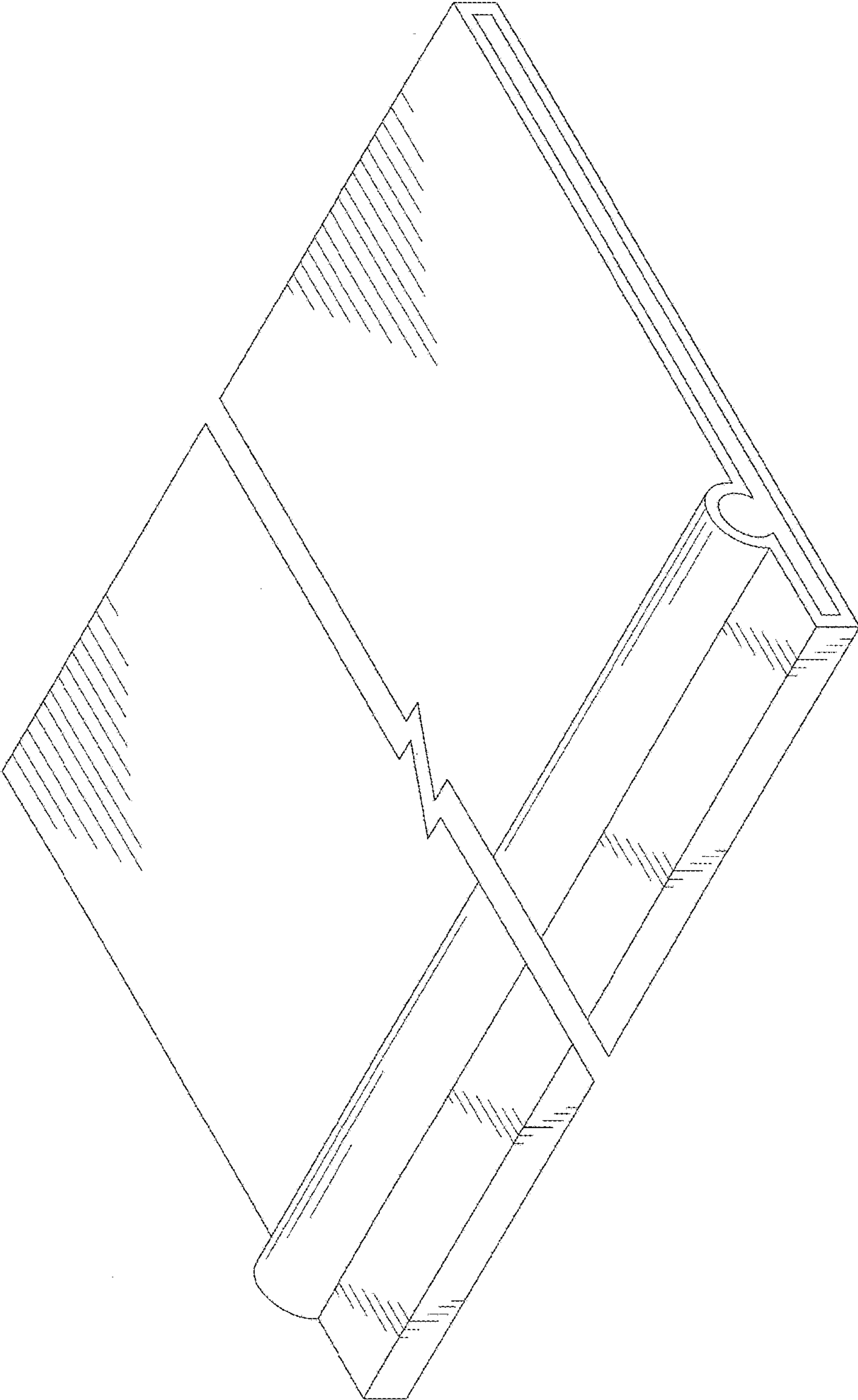


FIG. 1

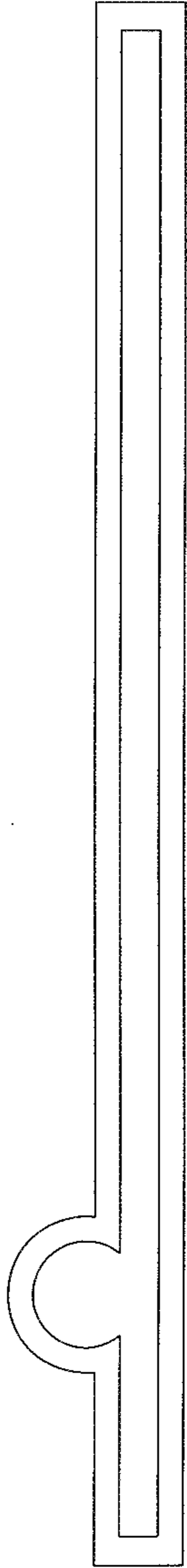


FIG. 2

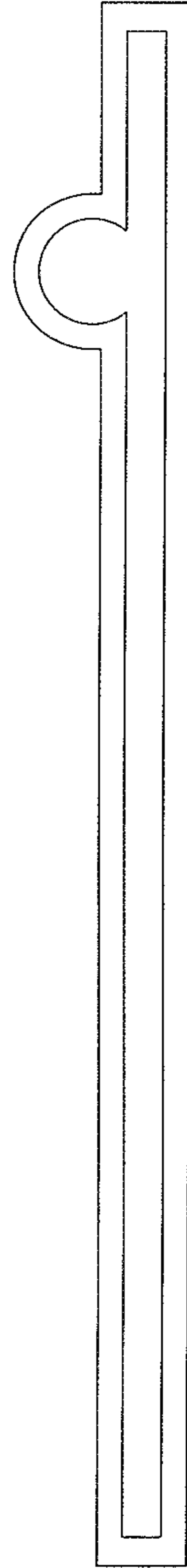


FIG. 3

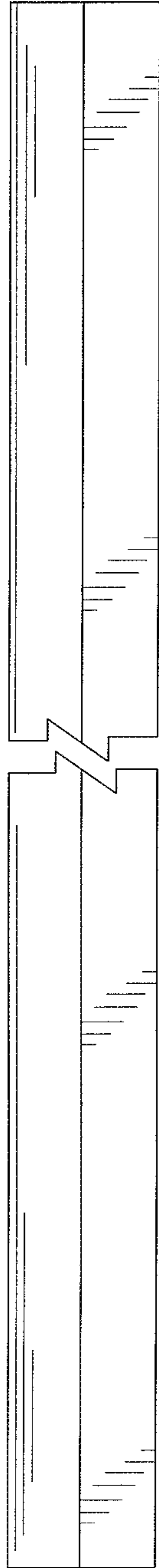


FIG. 4

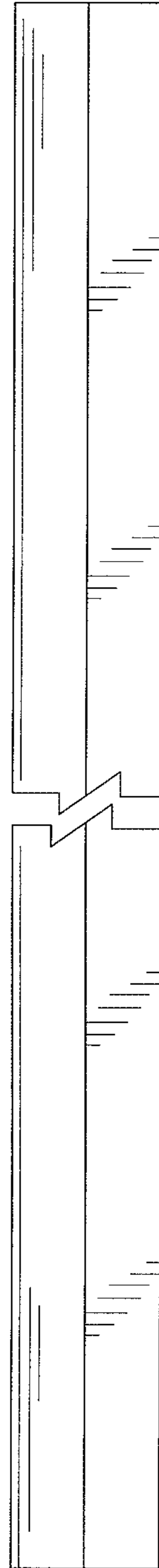


FIG. 5

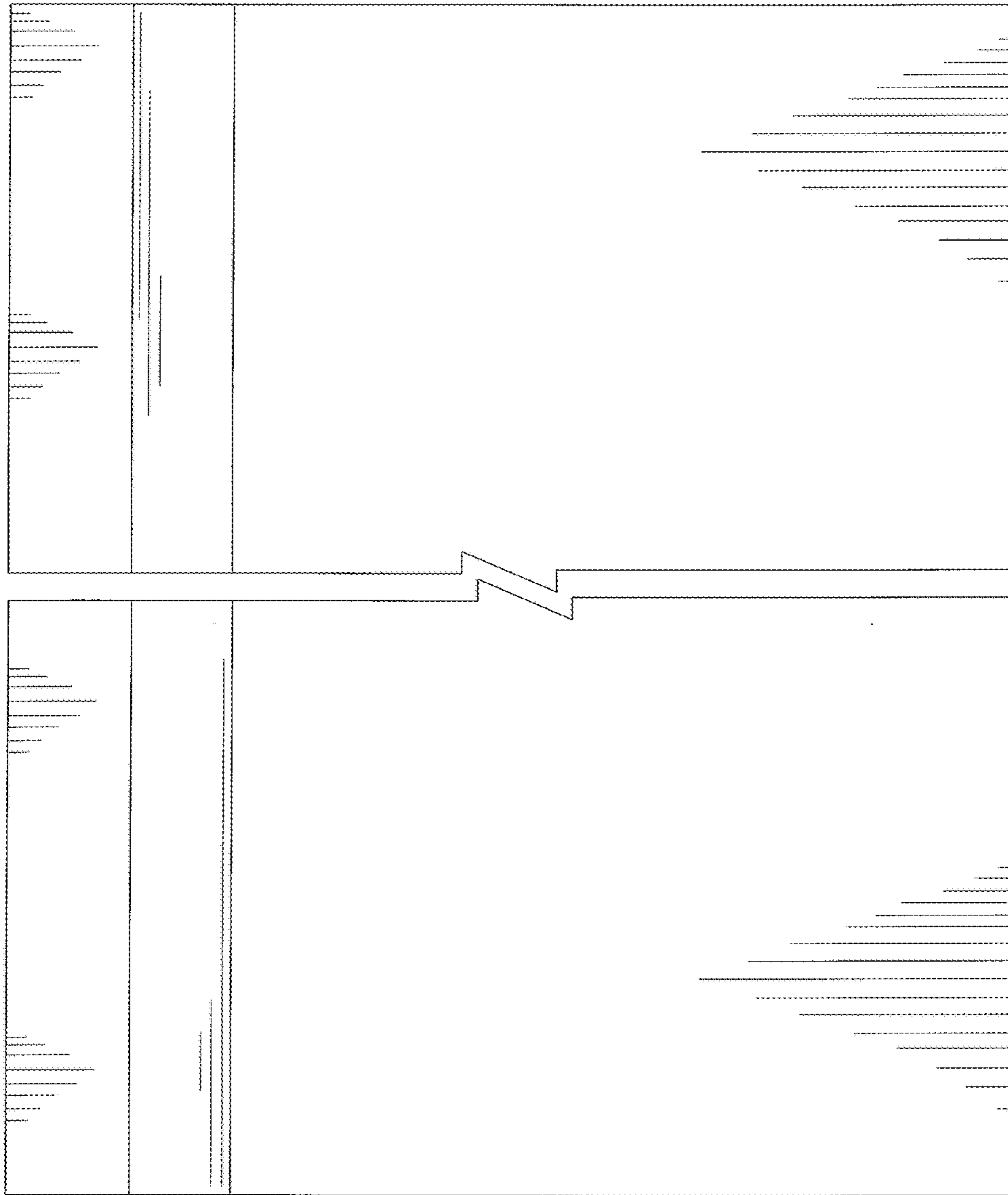


FIG. 6

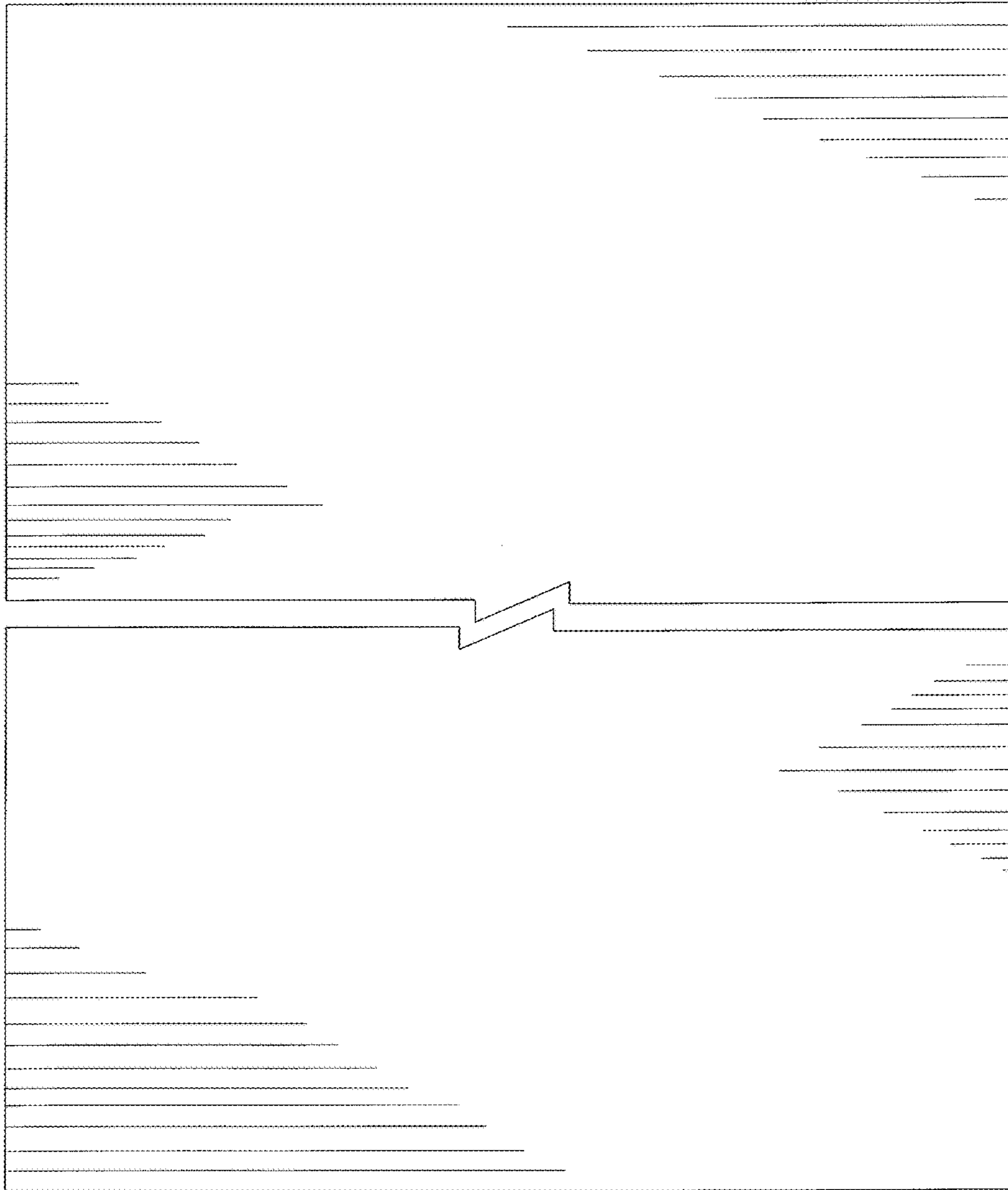


FIG. 7

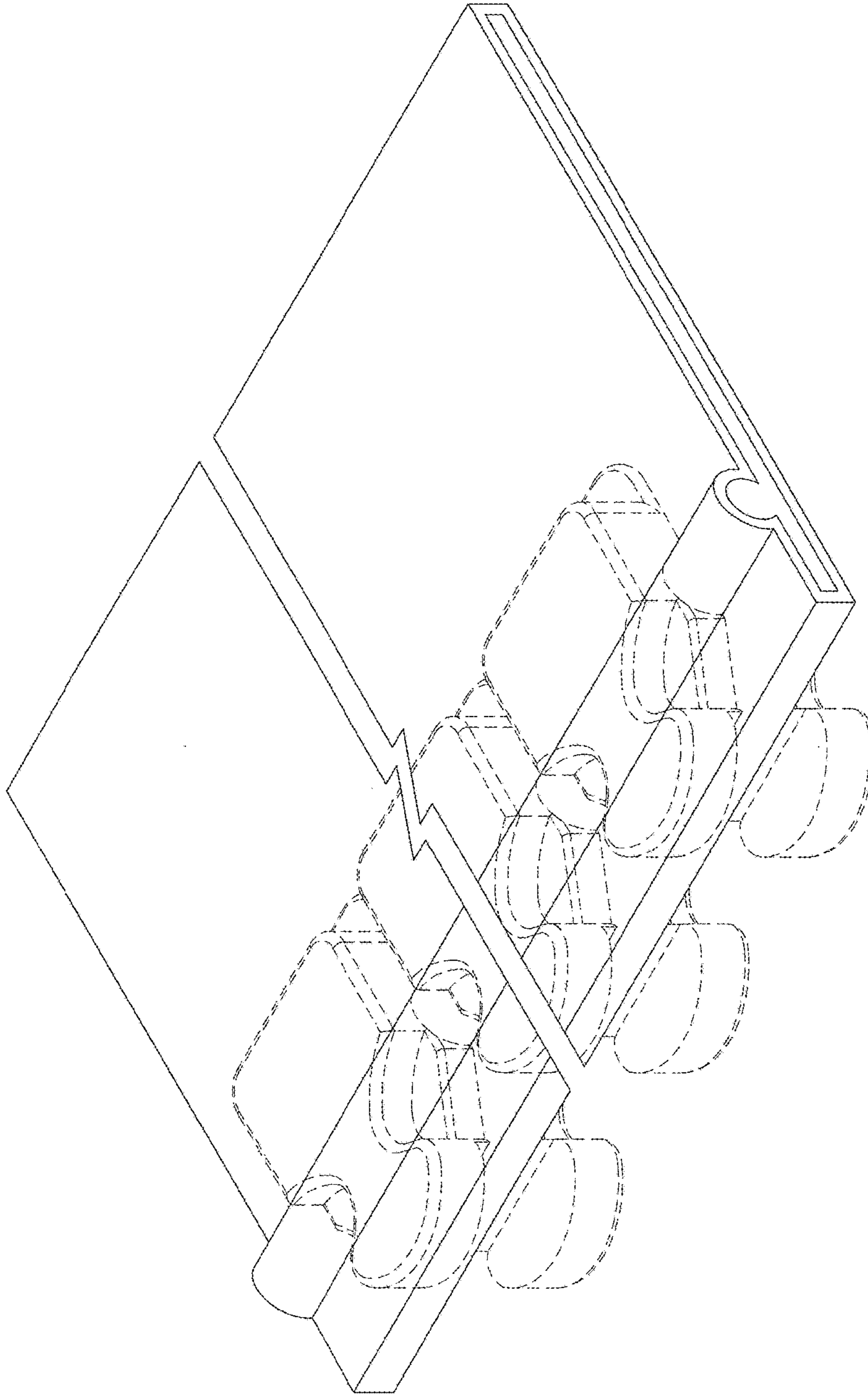


FIG. 8