



US00D823715S

(12) **United States Design Patent**
Gragg et al.

(10) **Patent No.:** **US D823,715 S**
(45) **Date of Patent:** **** Jul. 24, 2018**

- (54) **COLLAPSIBLE VASE**
- (71) Applicants: **Viet Gragg**, Saratoga Springs, NY (US); **Andrew Elliott**, Kaleen (AU)
- (72) Inventors: **Viet Gragg**, Saratoga Springs, NY (US); **Andrew Elliott**, Kaleen (AU)
- (73) Assignee: **Viet Gragg**, Saratoga Springs, NY (US)
- (**) Term: **15 Years**
- (21) Appl. No.: **29/573,269**
- (22) Filed: **Aug. 4, 2016**
- (51) **LOC (11) Cl.** **11-02**
- (52) **U.S. Cl.**
USPC **D11/143**
- (58) **Field of Classification Search**
USPC D11/143-156; D7/510-512; D26/10
CPC . A47G 7/063; A47G 7/06; A47G 7/07; A01G 9/026; A01G 9/16
See application file for complete search history.

2016/0227712 A1* 8/2016 Perez-Vega A01G 9/026
* cited by examiner

Primary Examiner — Sheryl Lane
(74) *Attorney, Agent, or Firm* — Harris Beach PLLC;
Neal L. Slifkin

(57) **CLAIM**

The ornamental design for a collapsible vase, as shown and described.

DESCRIPTION

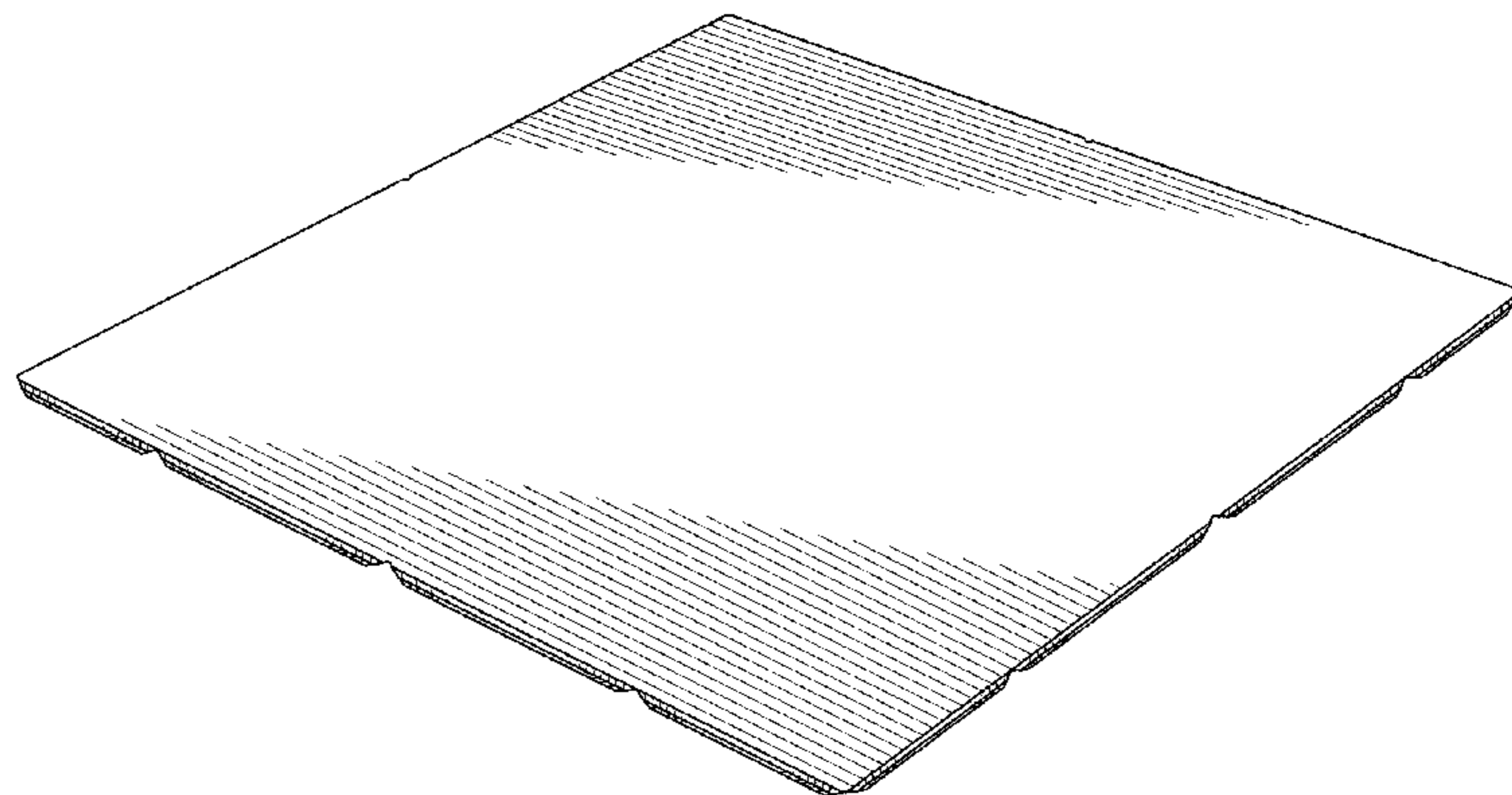
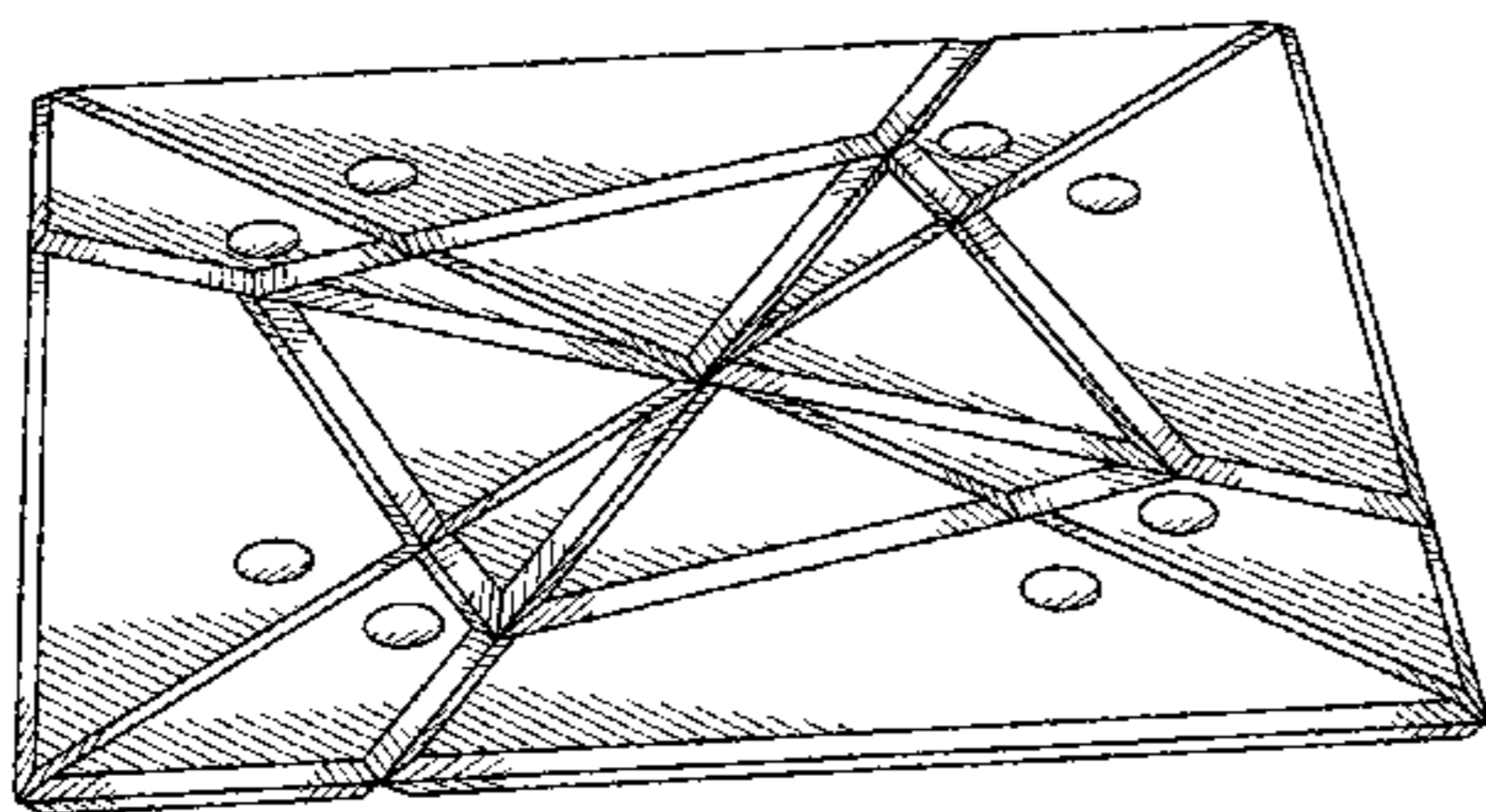
FIG. 1 is a perspective view of a collapsible vase showing our design;
 FIG. 2 is a top plan view thereof;
 FIG. 3 is bottom plan view thereof;
 FIG. 4 is side elevation view thereof, with the other three sides being identical;
 FIG. 5 is a perspective view of a the collapsible vase showing our design in a second configuration;
 FIG. 6 is a top plan view thereof;
 FIG. 7 is bottom plan view thereof;
 FIG. 8 is side elevation view thereof, with the other three sides being identical;
 FIG. 9 is a perspective view of the collapsible vase showing our design in a third configuration;
 FIG. 10 is a top plan view thereof;
 FIG. 11 is bottom plan view thereof;
 FIG. 12 is side elevation view thereof, with the other three being sides identical;
 FIG. 13 is a perspective view of the collapsible vase showing our design in a fourth configuration;
 FIG. 14 is a top plan view thereof;
 FIG. 15 is bottom plan view thereof; and,
 FIG. 16 is side elevation view thereof, with the other three sides being identical.

(56) **References Cited**

U.S. PATENT DOCUMENTS

D675,956 S *	2/2013	Fula	D11/143
8,429,852 B1 *	4/2013	Fula	A01G 9/026 47/65.7
8,528,250 B2 *	9/2013	Nelson	A01G 24/60 47/65.8
8,950,110 B2 *	2/2015	Fula	A01G 9/026 47/65.7
2005/0144841 A1 *	7/2005	Hjorth	A47G 7/063 47/66.3
2008/0241445 A1 *	10/2008	Medeiros Santos	...	A47G 7/063 428/34.1

1 Claim, 16 Drawing Sheets



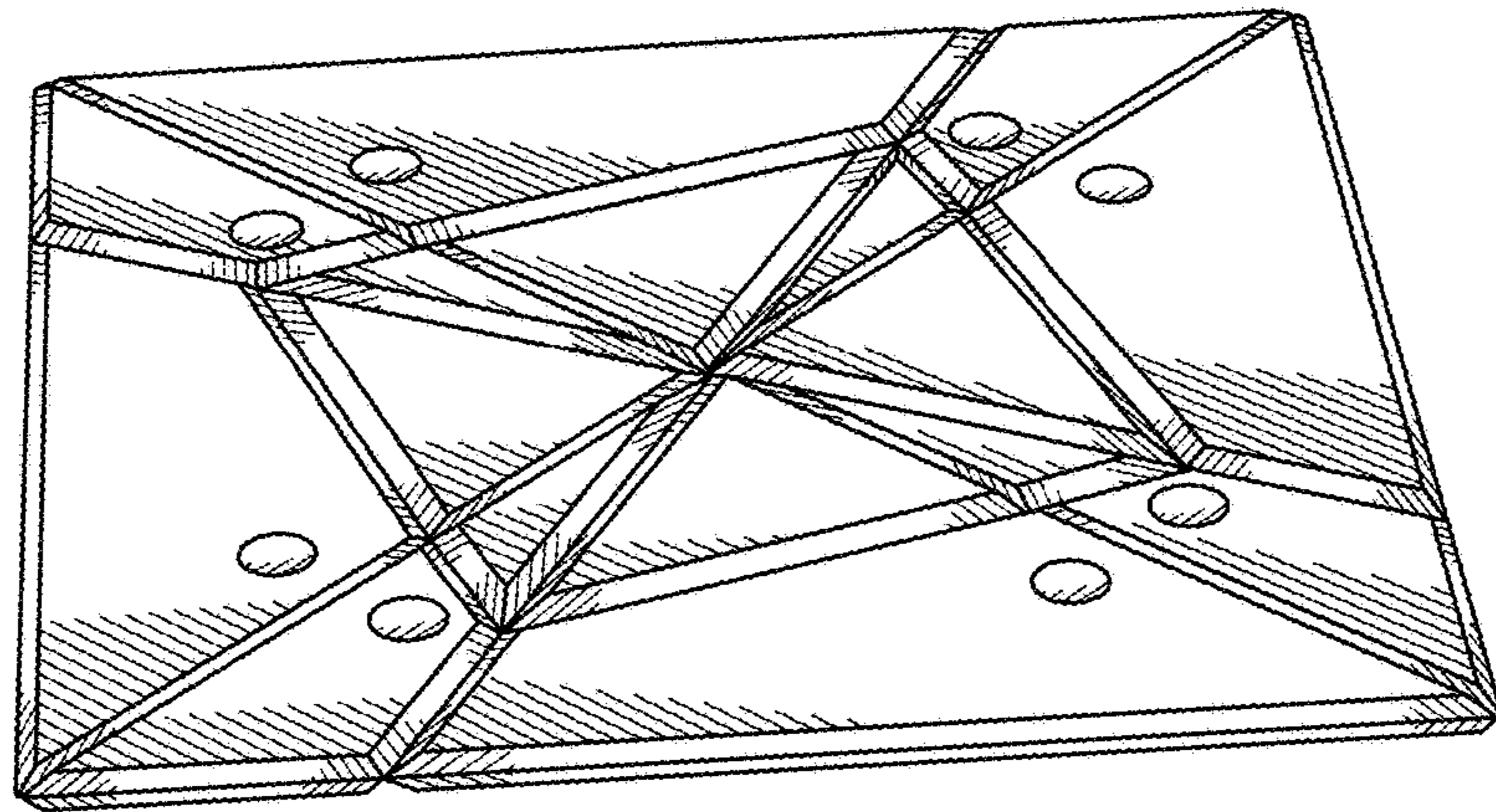


FIG. 1

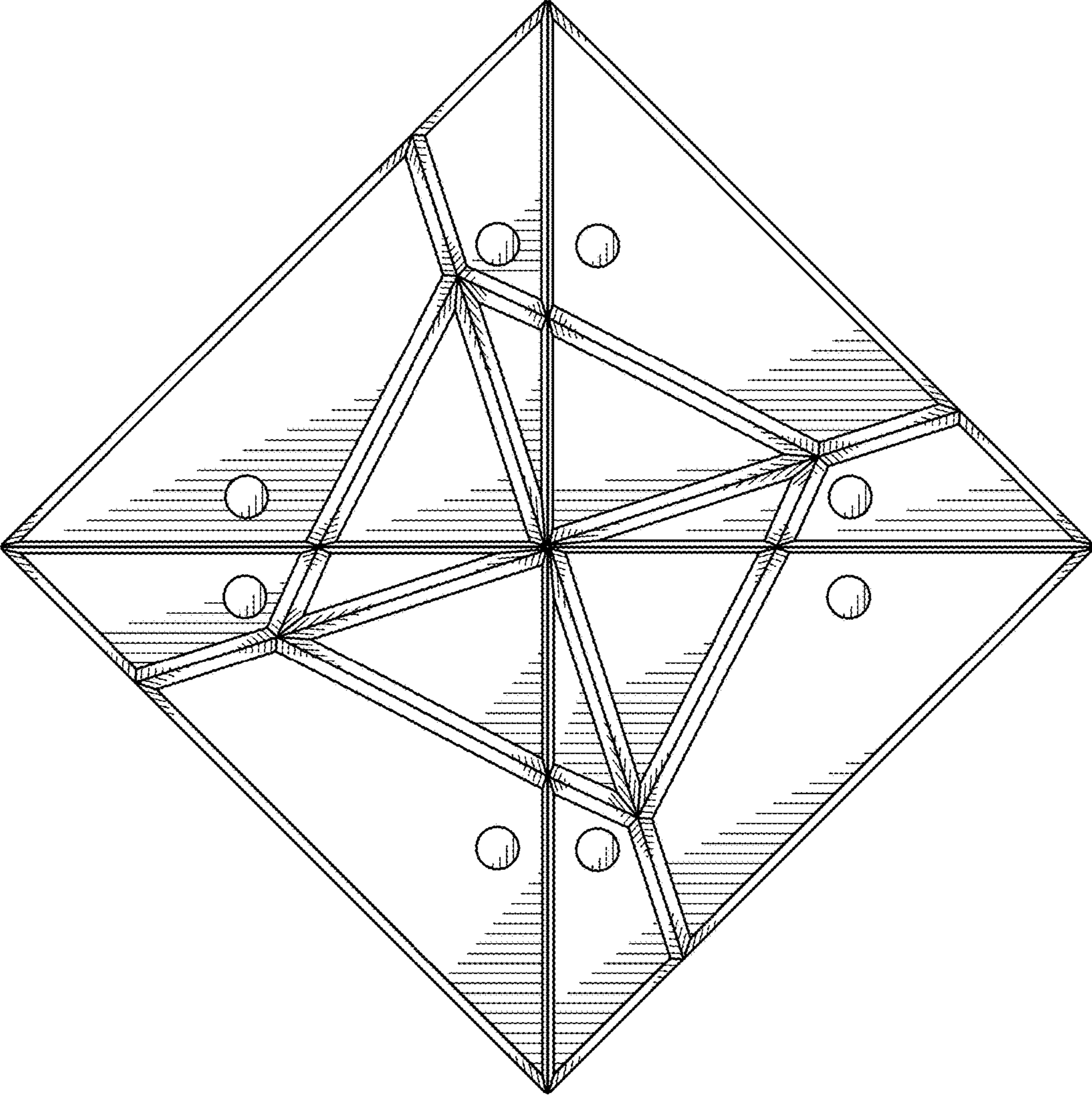


FIG. 2

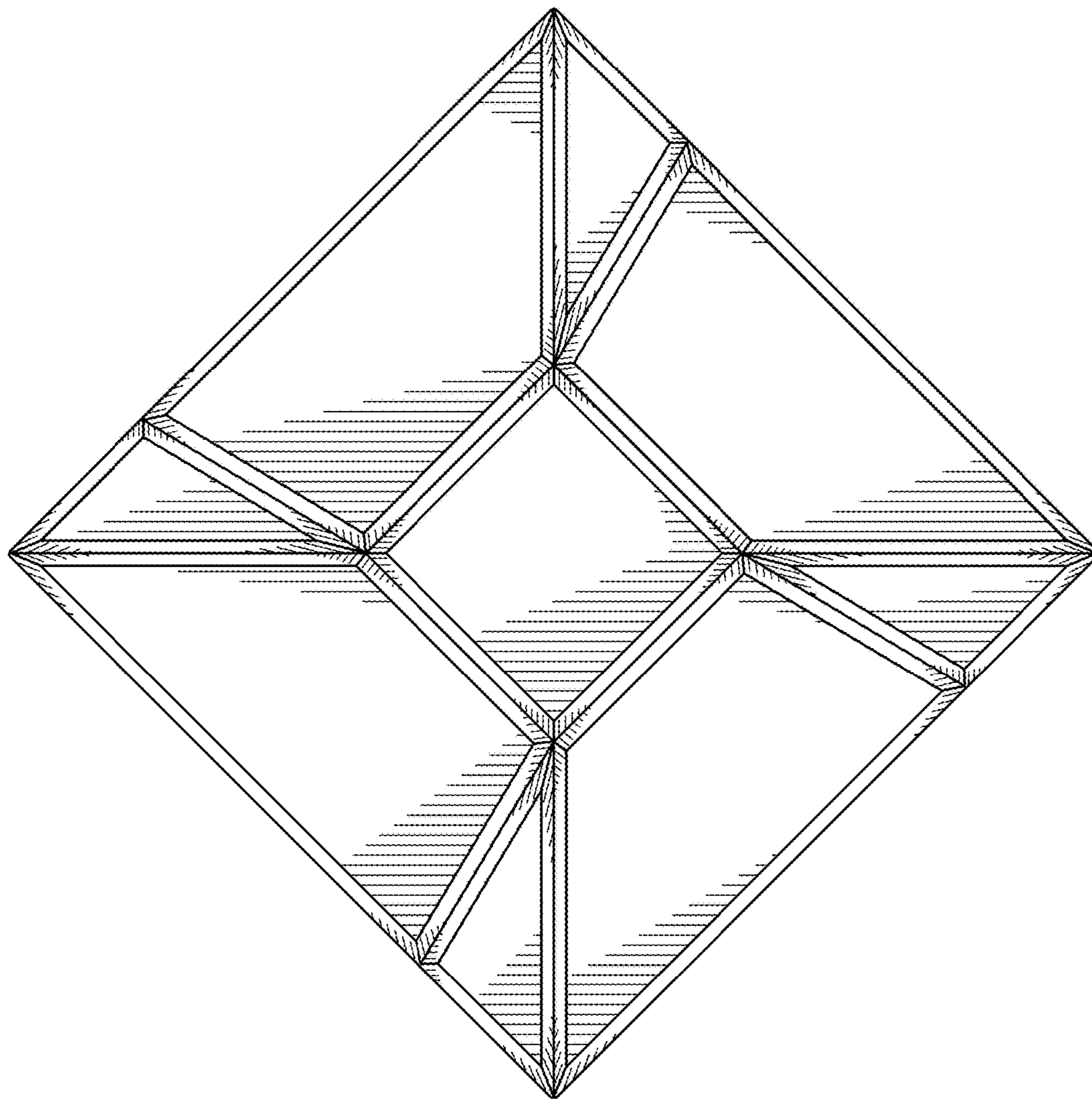


FIG. 3



FIG. 4

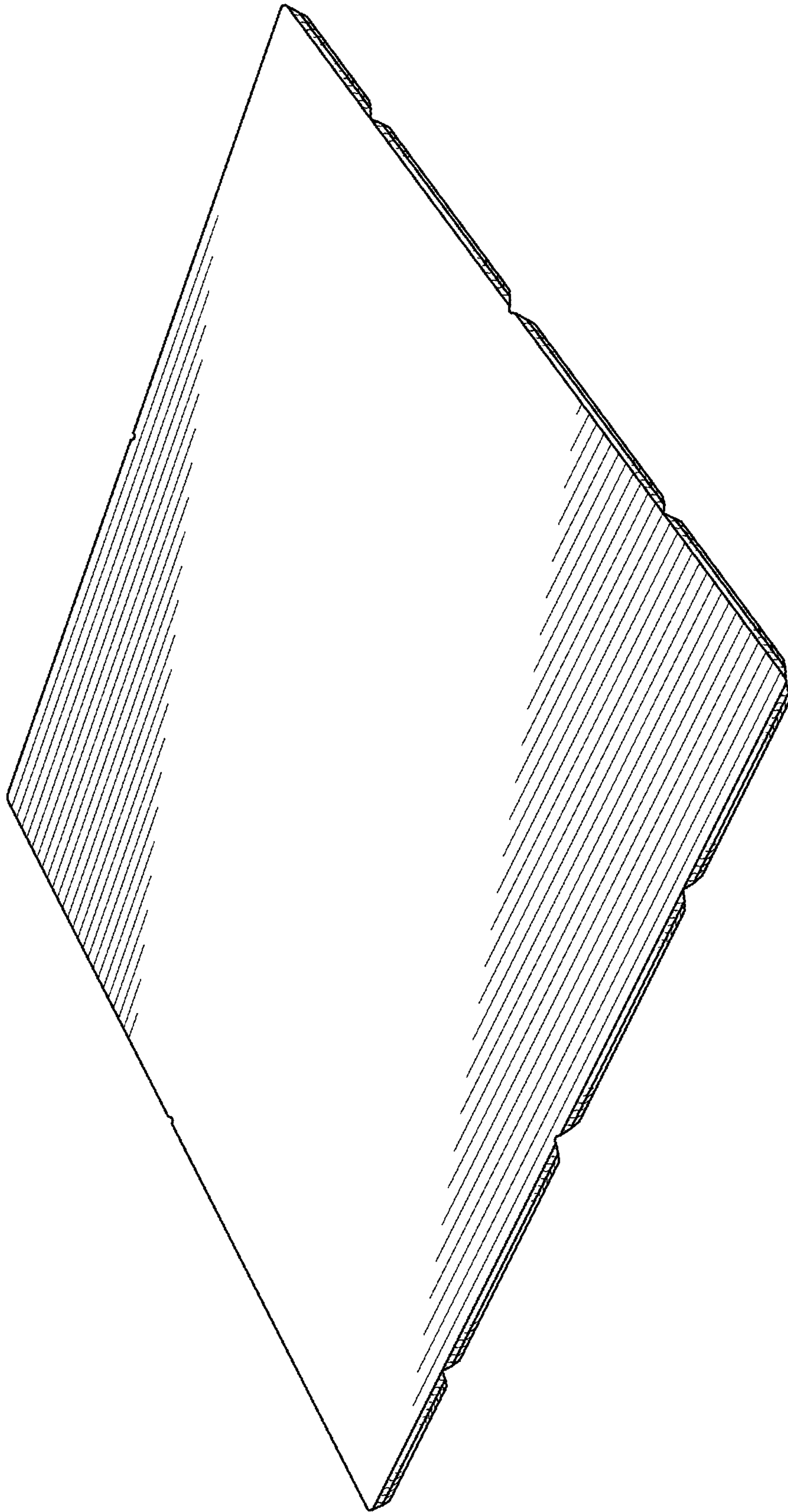


FIG. 5

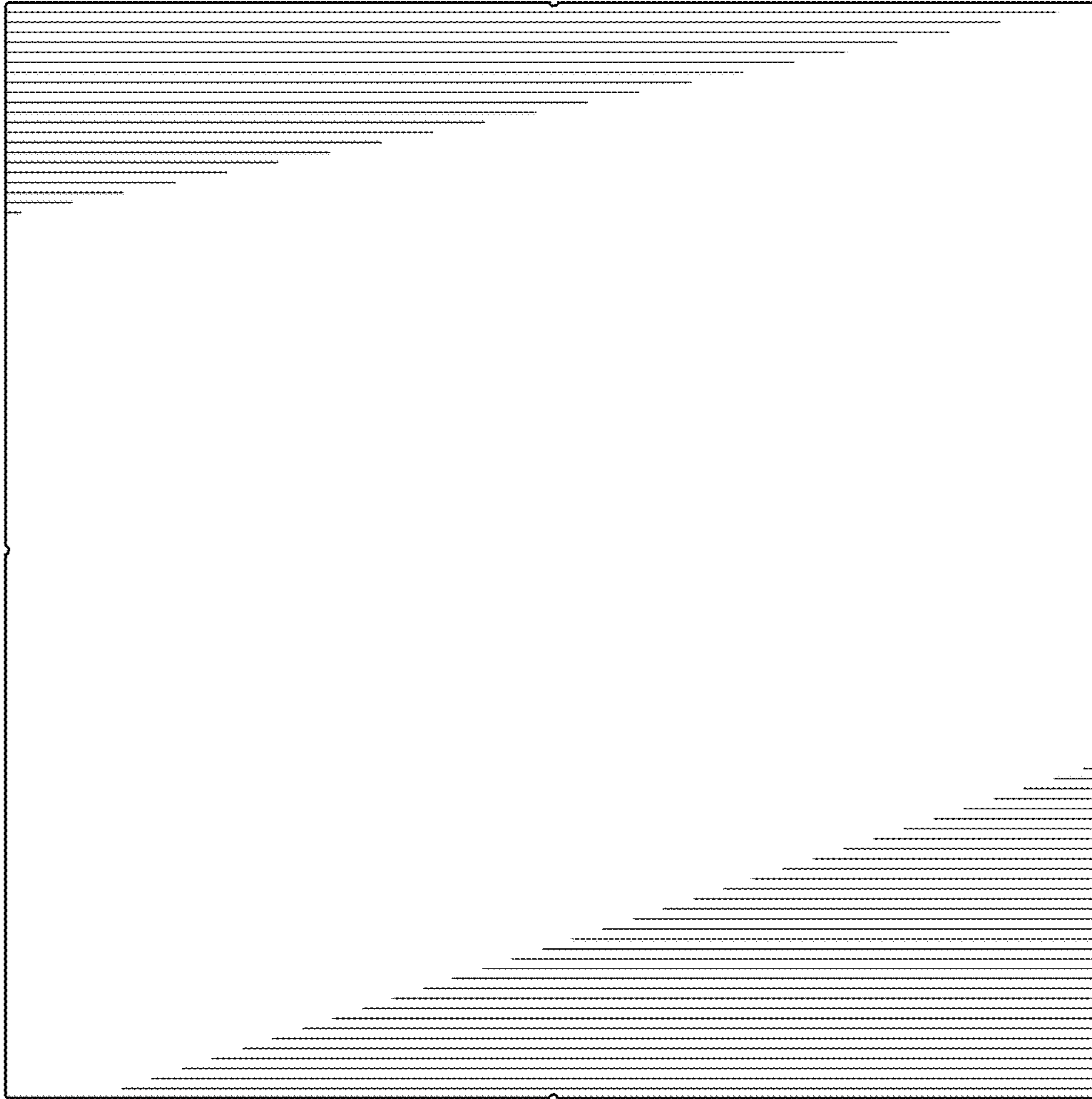


FIG. 6

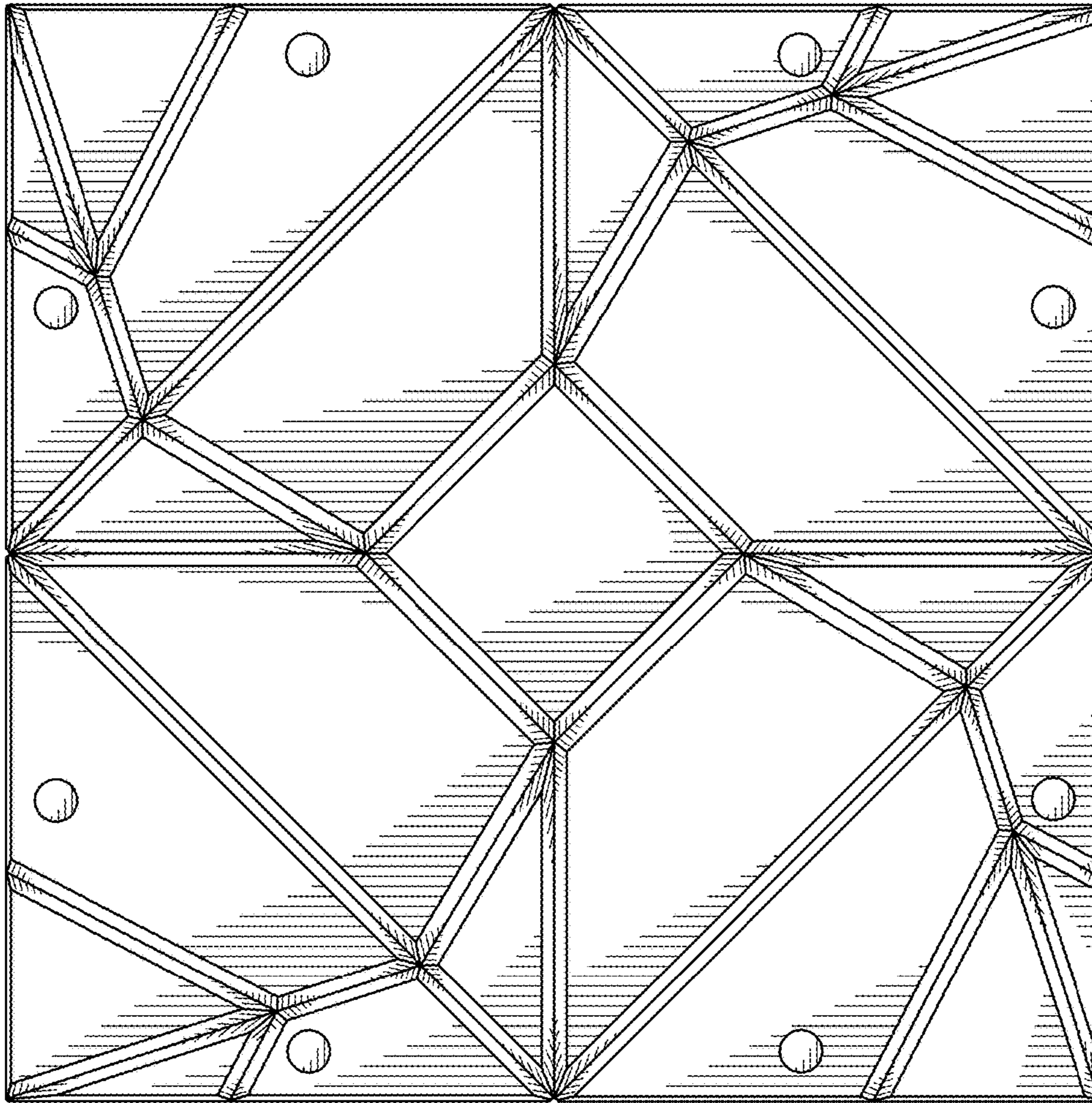


FIG. 7



FIG. 8

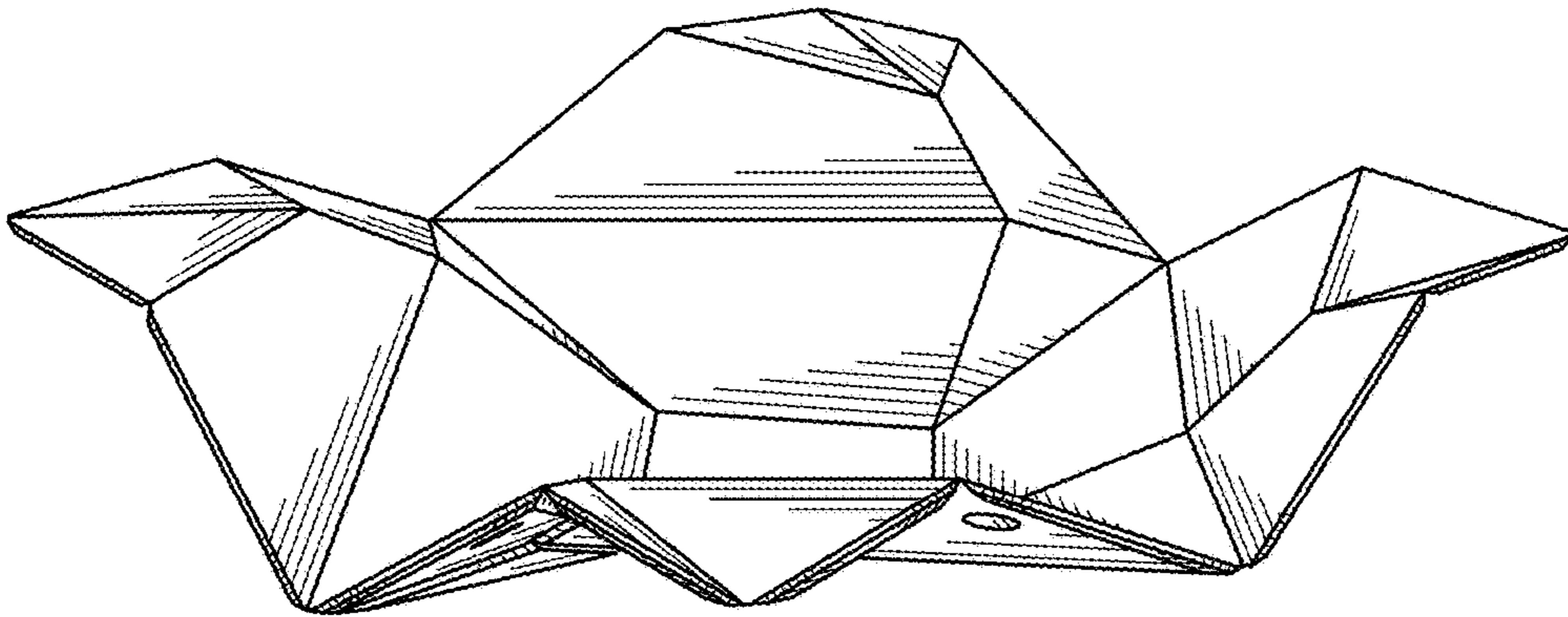


FIG. 9

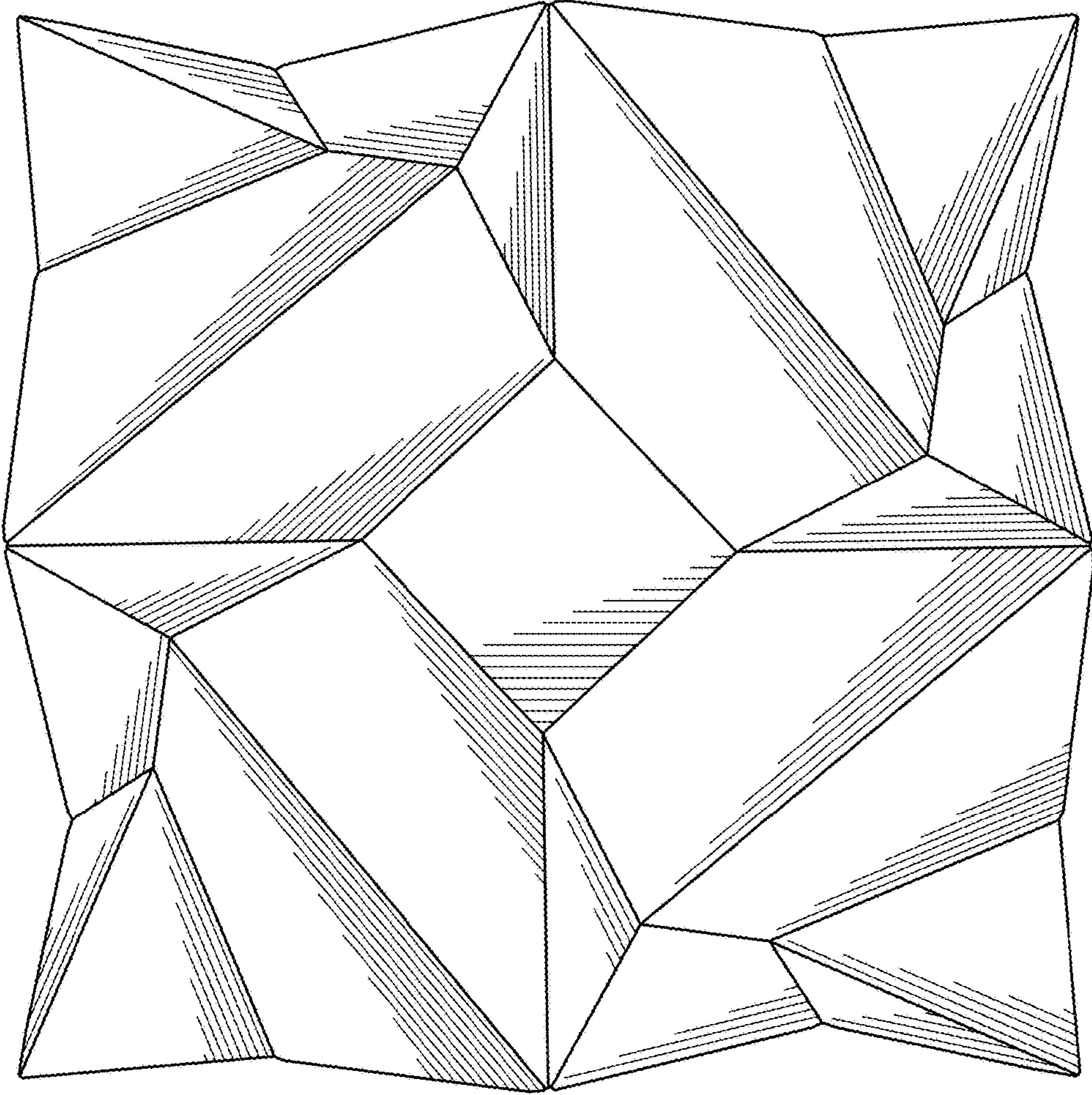


FIG. 10

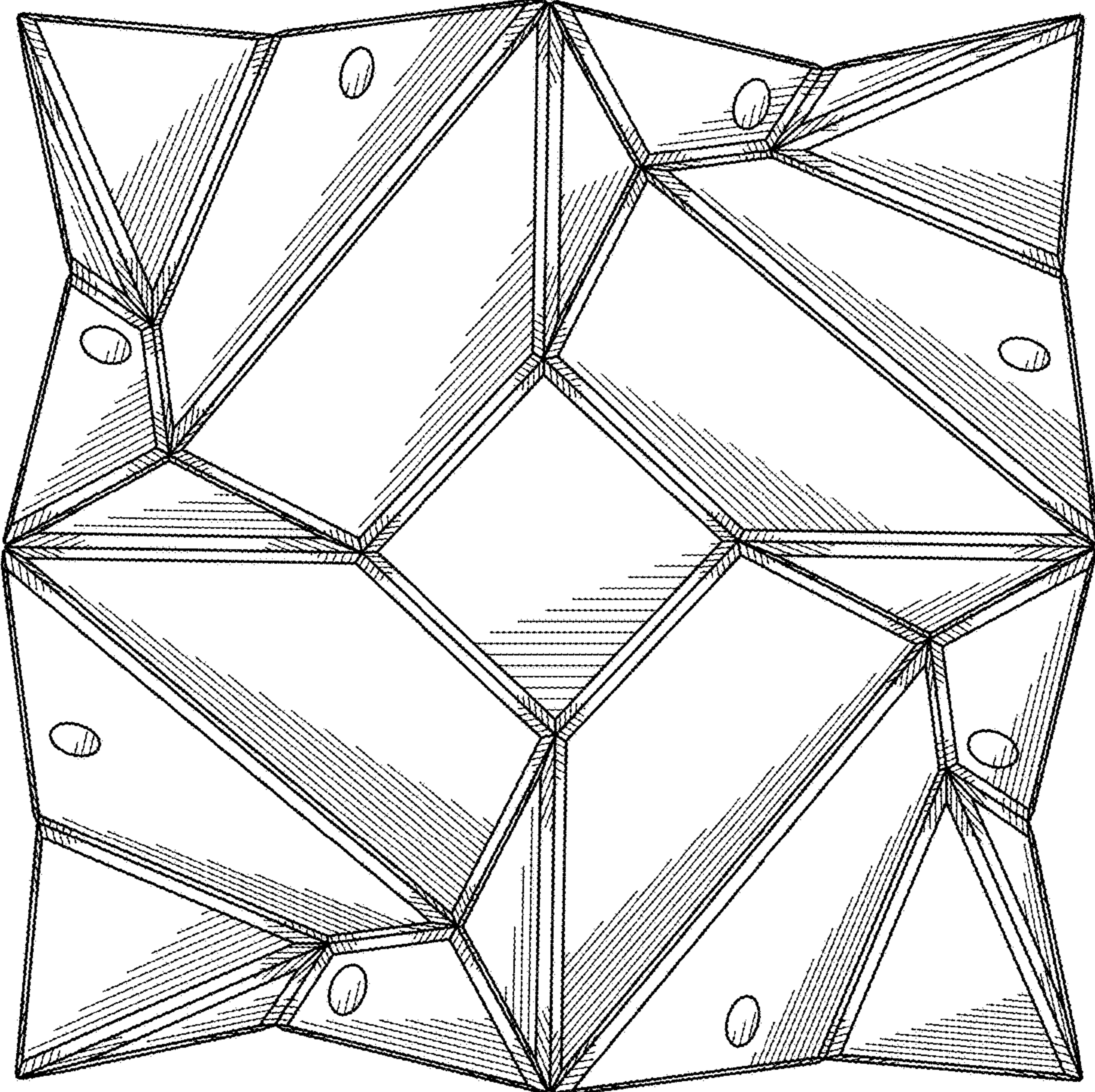


FIG. 11

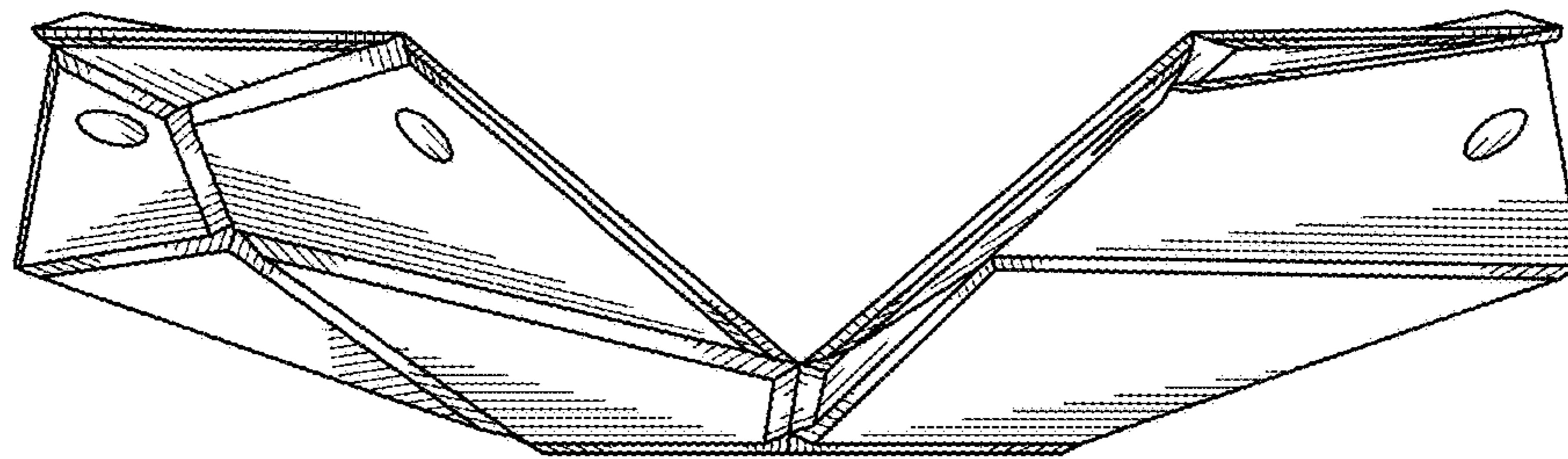


FIG. 12

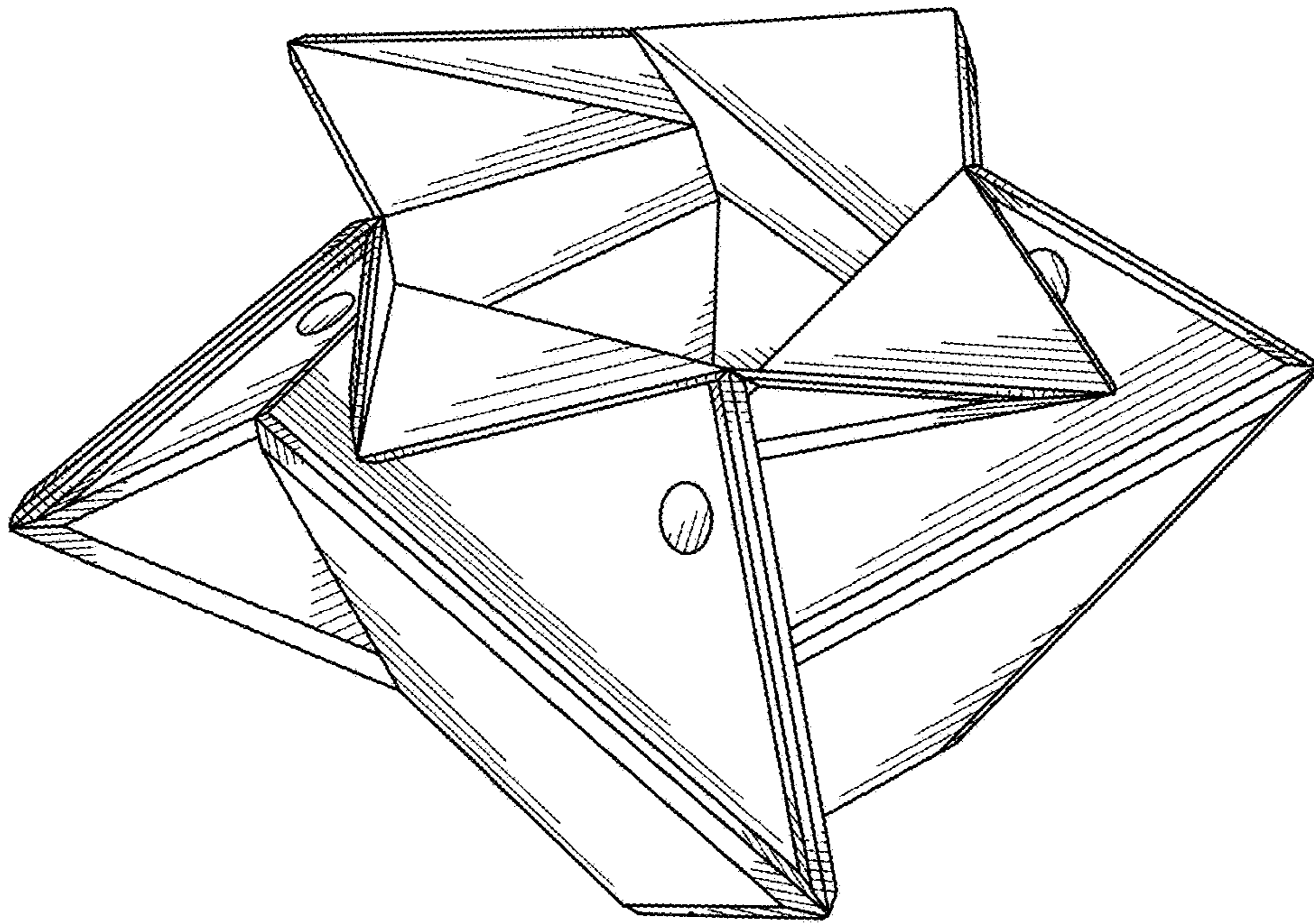


FIG. 13

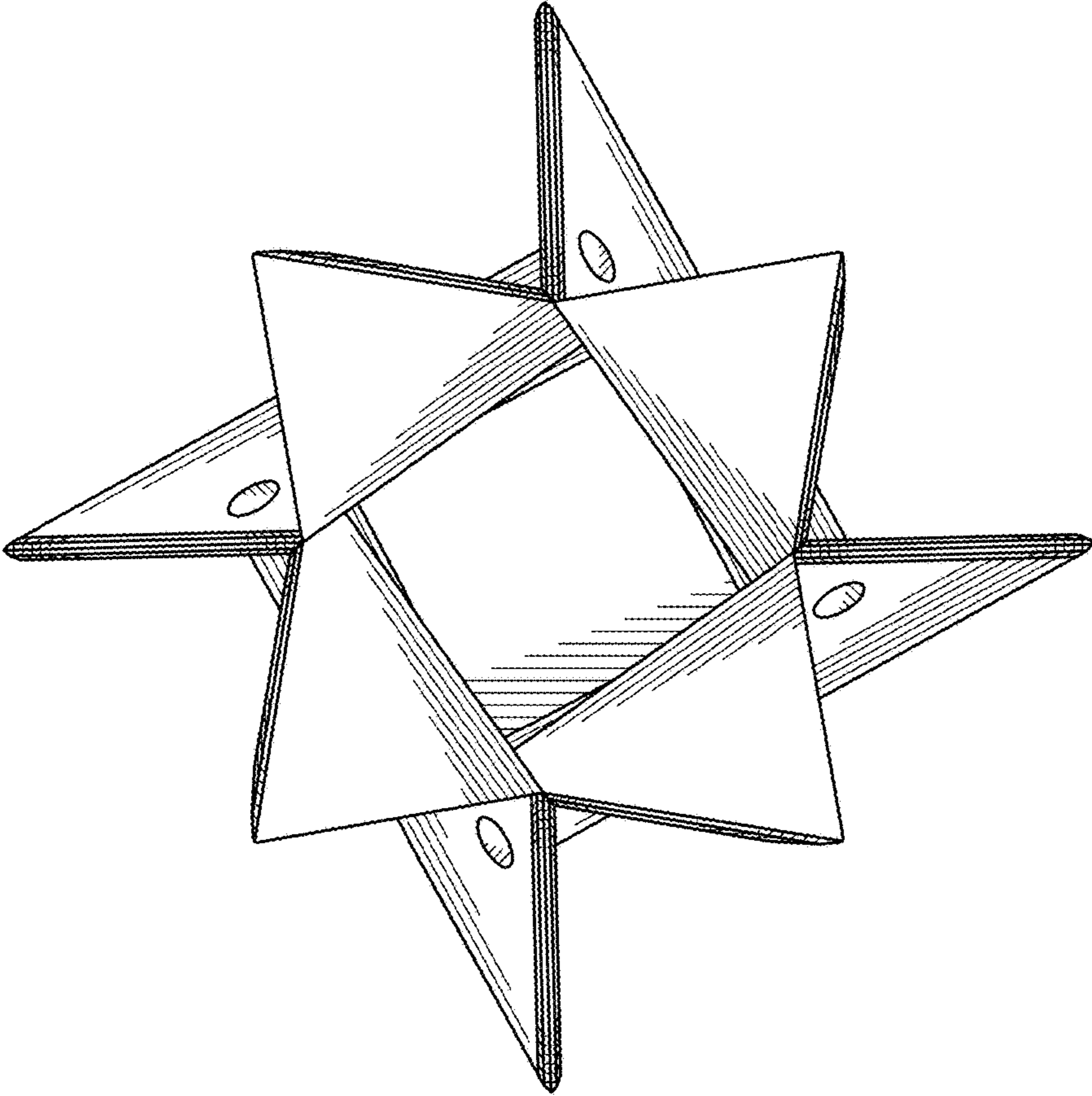


FIG. 14

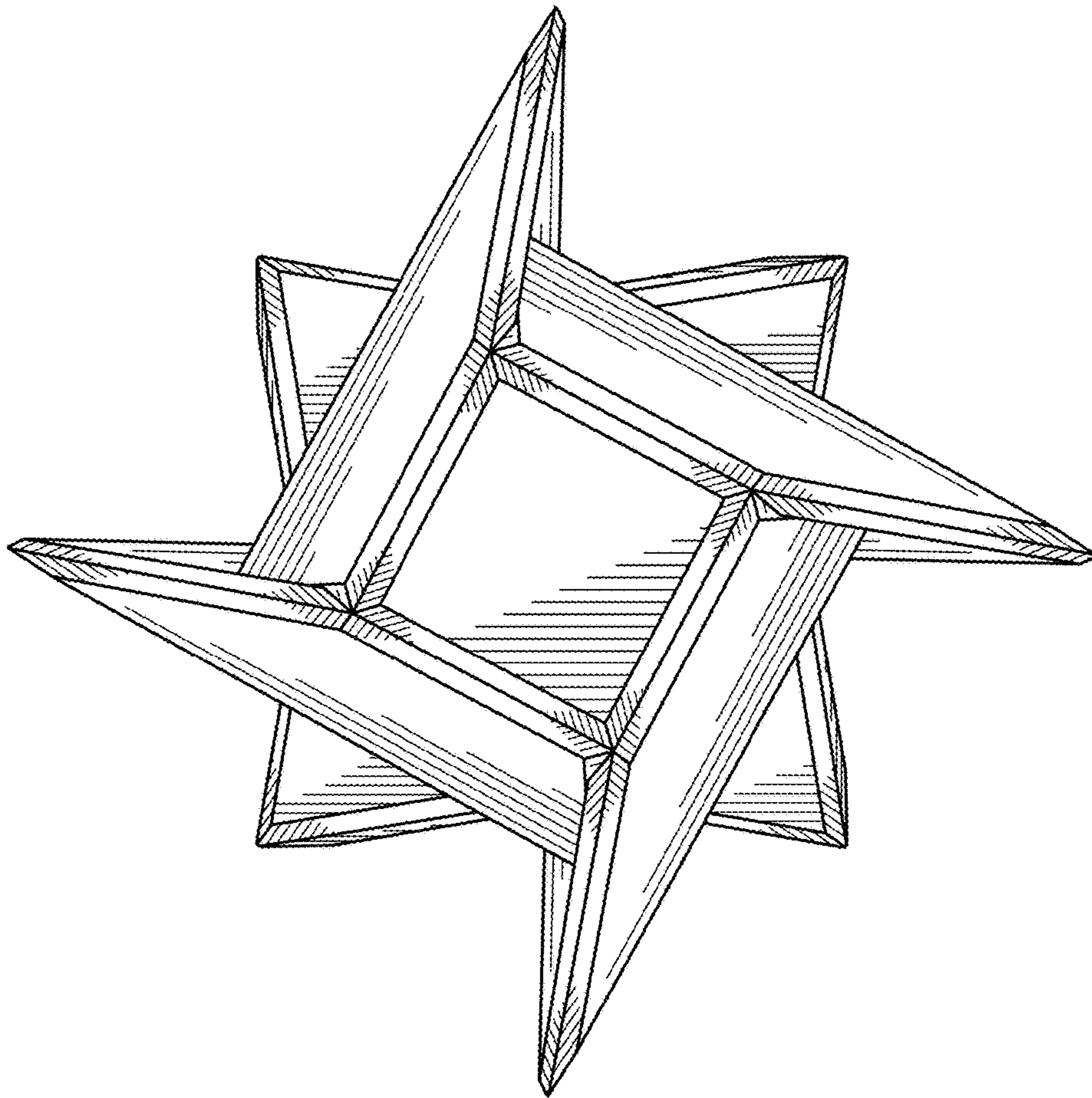


FIG. 15

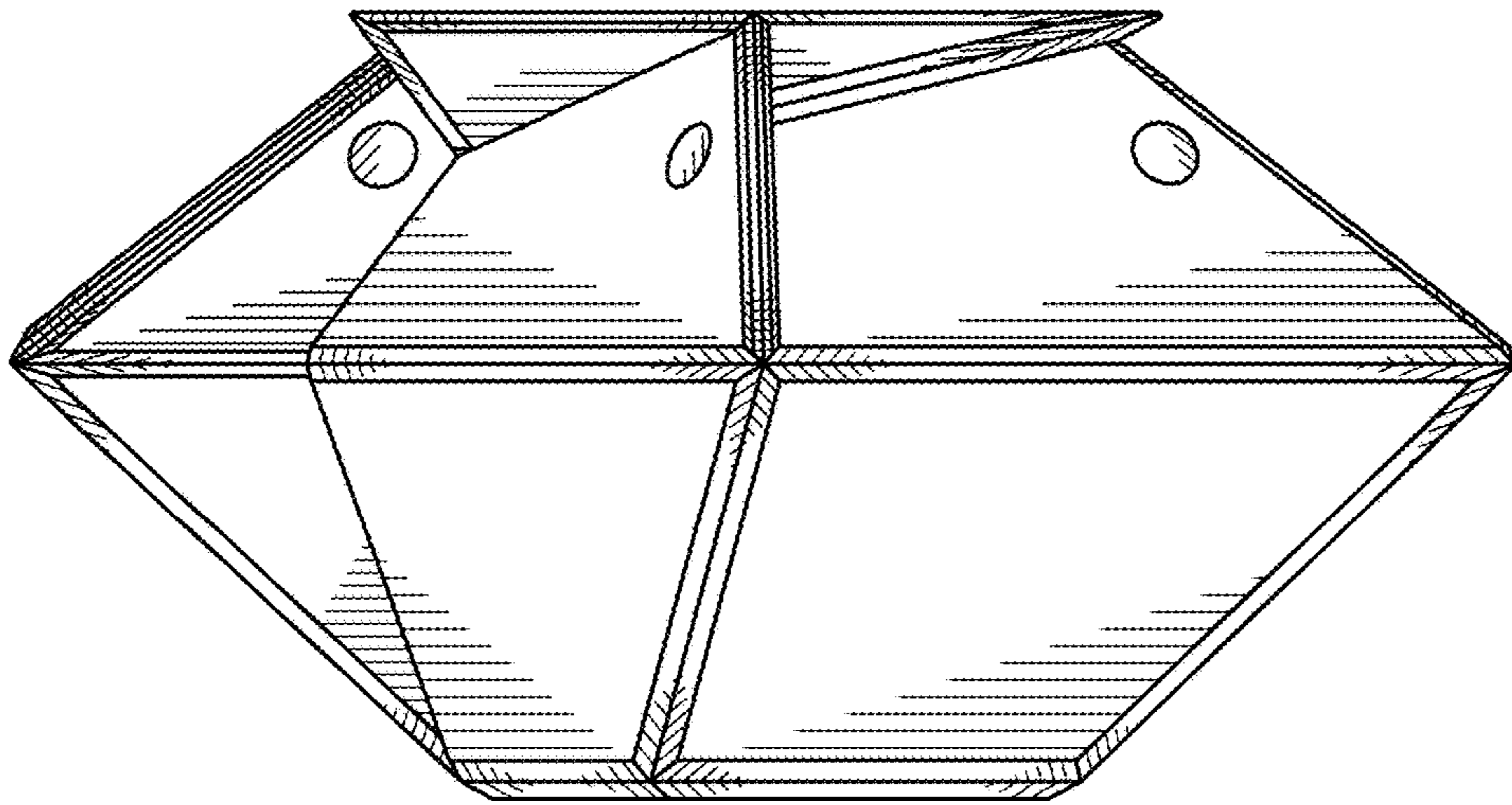


FIG. 16