



US00D823700S

(12) **United States Design Patent** (10) **Patent No.:** **US D823,700 S**
Orzeck et al. (45) **Date of Patent:** **** Jul. 24, 2018**

(54) **COMPARTMENTED CONTAINER**

(71) Applicant: **TARGET BRANDS, INC.**,
Minneapolis, MN (US)

(72) Inventors: **Toren Orzeck**, Portland, OR (US);
Steven Sandstrom, Portland, OR (US)

(73) Assignee: **TARGET BRANDS, INC.**,
Minneapolis, MN (US)

(**) Term: **15 Years**

(21) Appl. No.: **29/614,178**

(22) Filed: **Aug. 16, 2017**

(51) **LOC (11) Cl.** **09-03**

(52) **U.S. Cl.**
USPC **D9/737**; D9/761

(58) **Field of Classification Search**
USPC D9/341, 347, 414-432, 440, 444, 447,
D9/449, 450-454, 503, 504, 737, 759,
D9/761; D7/672, 601, 550.1, 551.1,
D7/551.2, 551.3, 552.1, 552.2, 553.1,
D7/553.2, 553.3, 553.4, 553.5, 553.7,
D7/553.8, 554.1, 554.3, 555, 557, 602,
D7/629, 630, 538-542, 612-615, 584,
D7/586, 587, 392.1, 709, 502, 608, 622,
D7/701, 703, 317-319, 391, 392, 396.2,
D7/510, 511, 543-549; D3/273,
D3/201-206, 276, 283, 284, 295, 274,
D3/302; D11/143; 249/126, 134;
206/216, 217, 541-550, 518, 557, 558,
206/561, 564, 223, 467; 220/669-673,
220/675, 574-575, 573.1, 4.21, 660, 326,
220/236, 780-806, 4.24, 288, 260, 266,
220/306, 352, 356, 523, 23.8, 23.2, 23.83,
220/23.4, 662, 700, 701, 703, 711,
220/713-715, 719; 426/106; 229/107,
229/406, 120, 125.17; 215/211, 200, 224,
215/243
CPC B65D 1/36; B65D 2543/00194; B65D
2543/00296; B65D 2543/00555; B65D
2581/3425; B65D 25/04; B65D 43/0218;
B65D 2543/00083; B65D 2543/00268;

(Continued)

(56) **References Cited**

U.S. PATENT DOCUMENTS

D232,302 S * 8/1974 Lazure D9/761
D268,645 S 4/1983 Phillips et al.

(Continued)

OTHER PUBLICATIONS

ProPac Microwaveable 2 Compartment Food Box, available Apr. 29, 2018, [online], [site visited Apr. 29, 2018]. Available from internet, <URL: <https://www.propacpackaging.co.uk/2-compartment-food-box-base-300-6x50.html.html> (Year: 2018).*

(Continued)

Primary Examiner — Cathron C Brooks

Assistant Examiner — W. A. Teddy Falloway

(74) *Attorney, Agent, or Firm* — JoAnn M. Seaton;
Griffiths & Seaton PLLC

(57) **CLAIM**

The ornamental design for a compartmented container, as shown and described.

DESCRIPTION

FIG. 1 is a front, perspective view of a compartmented container showing our new design;

FIG. 2 is a front view thereof, the rear view being a mirror image of the front view;

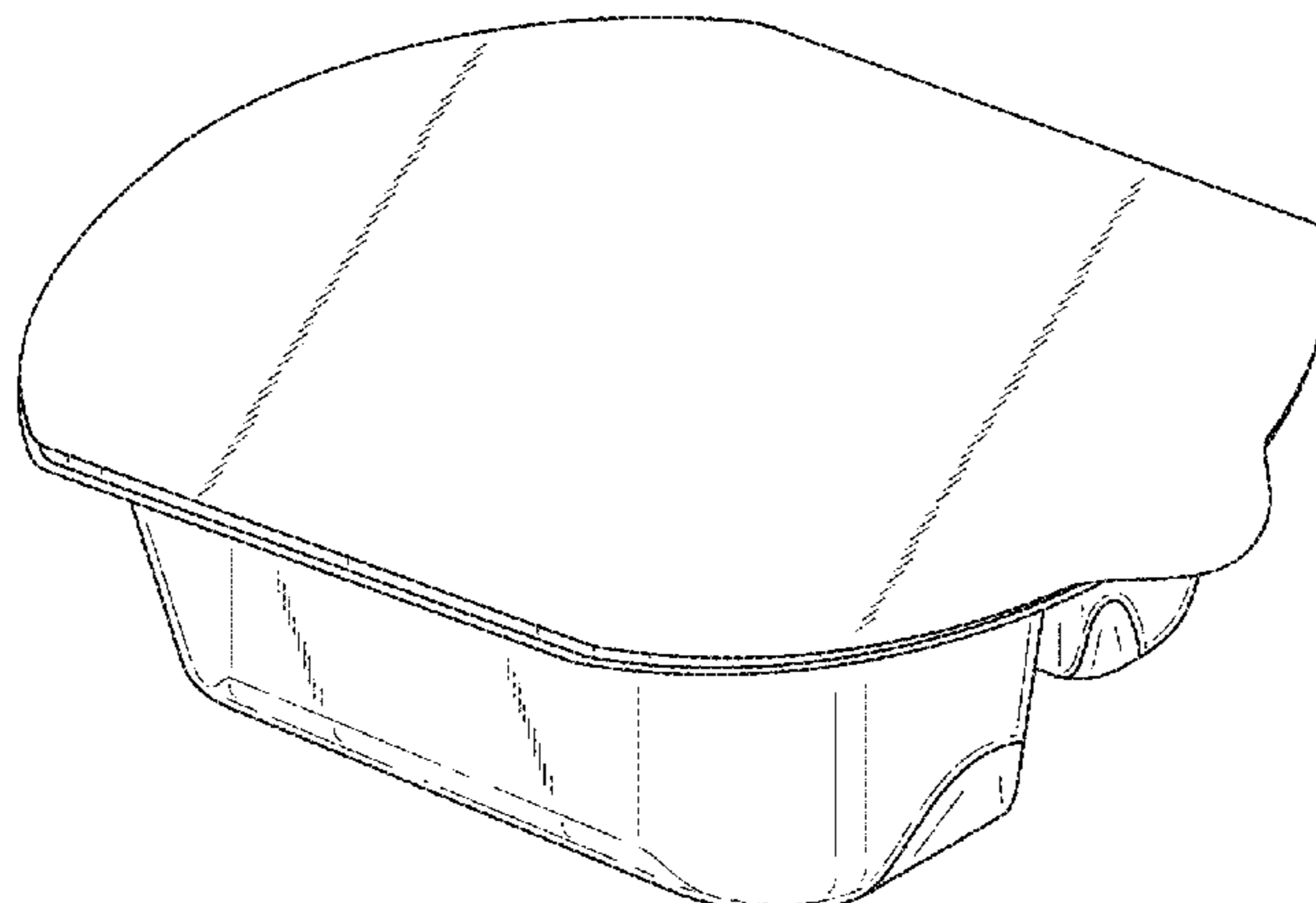
FIG. 3 is a right side view thereof, the left side view being a mirror image thereof;

FIG. 4 is a top view thereof; and,

FIG. 5 is a bottom view thereof.

The broken lines illustrate portions of the compartmented container and form no part of the claimed design.

1 Claim, 3 Drawing Sheets



(58) **Field of Classification Search**
 CPC B65D 2543/00277; B65D 2543/00351;
 B65D 81/3453; A47G 19/02; A47G
 19/065; A47G 23/0608
 See application file for complete search history.

(56) **References Cited**

U.S. PATENT DOCUMENTS

D283,666 S 5/1986 Holzkopf
 D297,115 S 8/1988 Fontana et al.
 D297,116 S 8/1988 Fontana et al.
 D297,117 S 8/1988 Fontana et al.
 D297,118 S 8/1988 Fontana et al.
 D297,119 S 8/1988 Fontana et al.
 D301,820 S 6/1989 Wasserman
 4,866,235 A * 9/1989 Griffin A47J 36/027
 219/730
 D339,522 S 9/1993 Zoss
 D343,338 S 1/1994 Bucher et al.
 D346,934 S * 5/1994 Littlejohn D7/549
 D351,997 S 11/1994 Finnah
 5,381,901 A 1/1995 Hundley
 D371,940 S * 7/1996 Krupa D30/130
 D372,170 S 7/1996 Ahern, Jr.
 D375,680 S 11/1996 Liebermann
 D379,301 S 5/1997 Lippincott
 D386,075 S 11/1997 Hayes et al.
 D390,109 S 2/1998 Tucker et al.
 D393,798 S 4/1998 Joswick
 D394,001 S 5/1998 Vilos
 5,853,105 A 12/1998 Roman et al.
 D417,366 S 12/1999 Obra
 D420,855 S 2/2000 Hurley
 D424,426 S 5/2000 Fletcher
 D432,409 S 10/2000 Feldmeier
 D436,854 S 1/2001 Feldmeier
 D442,484 S 5/2001 Maxwell et al.
 D448,130 S * 9/2001 Wagner D32/53.1
 D484,364 S 12/2003 Bailey et al.
 D492,196 S 6/2004 Hyhlik et al.
 D496,272 S 9/2004 Jackson et al.
 D515,880 S 2/2006 Lerner
 D529,797 S 10/2006 Wilcox et al.
 D529,820 S 10/2006 Kissner et al.
 D529,821 S 10/2006 Wilcox et al.
 D530,625 S 10/2006 Darin
 D548,588 S 8/2007 Bouveret et al.
 D571,228 S 6/2008 Maslowski
 D584,108 S 1/2009 Olsson
 D584,945 S 1/2009 Friedland et al.
 D591,590 S 5/2009 Wilson et al.
 D591,591 S 5/2009 Moecks et al.
 D595,154 S 6/2009 Nicholson et al.
 D596,903 S * 7/2009 Willis D7/553.2
 D608,153 S 1/2010 Furlong
 D608,593 S 1/2010 Follansbee et al.
 D625,994 S * 10/2010 Krupa D9/424
 D633,341 S 3/2011 Smyers
 7,900,793 B2 * 3/2011 Hanson B65D 1/36
 220/366.1
 D642,905 S 8/2011 Samartgis
 D642,906 S 8/2011 Samartgis
 D642,907 S 8/2011 Samartgis
 D643,311 S * 8/2011 Meyers D9/756
 D643,710 S 8/2011 Samartgis
 D643,711 S 8/2011 Samartgis
 D643,712 S 8/2011 Samartgis
 D645,708 S 9/2011 Stamper et al.
 D650,660 S 12/2011 Shiffer et al.
 D650,662 S 12/2011 Shiffer et al.

D650,663 S 12/2011 Shiffer et al.
 D651,508 S * 1/2012 Layfield D9/416
 D652,323 S 1/2012 Clark
 D653,536 S 2/2012 Gartz
 D657,204 S 4/2012 Seehoff et al.
 D662,424 S 6/2012 Lindsay et al.
 D668,537 S 10/2012 Sanfilippo
 D669,368 S 10/2012 Ehrmann
 D678,050 S 3/2013 Birchmeier et al.
 D684,855 S 6/2013 BeVier et al.
 D688,572 S 8/2013 Marin
 D689,240 S 9/2013 Sunder
 D691,901 S 10/2013 Epstein
 D693,219 S 11/2013 Limback
 D693,242 S 11/2013 Birchmeier
 D695,107 S 12/2013 Clements
 D695,606 S 12/2013 Schick
 D696,938 S 1/2014 BeVier et al.
 D700,509 S 3/2014 Shirley et al.
 D706,131 S 6/2014 Brooks et al.
 D706,620 S * 6/2014 Matsumura D9/424
 D710,213 S 8/2014 Birchmeier
 D713,742 S 9/2014 Dzikowicz et al.
 D723,365 S * 3/2015 Mitchell D9/416
 D728,383 S 5/2015 Sifuentes et al.
 D739,227 S * 9/2015 Mitchell D9/416
 D743,812 S 11/2015 Lamb et al.
 D747,187 S * 1/2016 Cochran D9/416
 D748,991 S 2/2016 Cerrato
 D750,976 S 3/2016 Tilahun et al.
 D753,992 S 4/2016 Shiffer et al.
 D756,769 S 5/2016 Tuchrelo et al.
 D763,620 S 8/2016 Szymanski
 D763,679 S 8/2016 Harrington et al.
 D763,680 S 8/2016 Harrington et al.
 D764,908 S 8/2016 Shiffer et al.
 D765,503 S 9/2016 Shiffer et al.
 D766,079 S 9/2016 Shiffer et al.
 D773,940 S 12/2016 Tilahun et al.
 D778,115 S * 2/2017 Strachan D7/553.1
 D778,155 S 2/2017 Strachan
 D784,125 S 4/2017 Fife et al.
 D793,868 S * 8/2017 Kim D9/756
 D814,312 S * 4/2018 Lemcke D9/702
 2009/0206090 A1 * 8/2009 Hanson B65D 1/36
 220/526
 2011/0132796 A1 * 6/2011 Epstein B65D 1/36
 206/557

OTHER PUBLICATIONS

Genpak Oven Ready Food Tray-2 Compartment Meal Tray, available Jan. 24, 2015, [online], [site visited Apr. 29, 2018]. Available from internet, <URL: <https://web.archive.org/web/20150124133650/https://www.genpak.com/product/oven-ready-food-trays/> (Year: 2015).*

Developments in Microwaveable Food Packaging—Compartment Microwaving, available Jun. 5, 2014, [online], [site visited Apr. 29, 2018]. Available from internet, <URL: <https://bestinpackaging.com/2014/06/05/developments-in-microwaveable-food-packaging/> (Year: 2014).*

“Scrumpt Fresh Box”, printed from www.scrumptbox.com/, publicly available at least as early as Dec. 7, 2013, per <http://web.archive.org> (4 pages).

“EatPakd—Order healthy, custom lunches delivered to your doorstep”, printed from www.eatpakd.com/menu, publicly available at least as early as May 17, 2017 (20 pages).

U.S. Appl. No. 29/614,176, filed Aug. 16, 2017 (9 pages).

U.S. Appl. No. 29/614,177, filed Aug. 16, 2017 (9 pages).

* cited by examiner

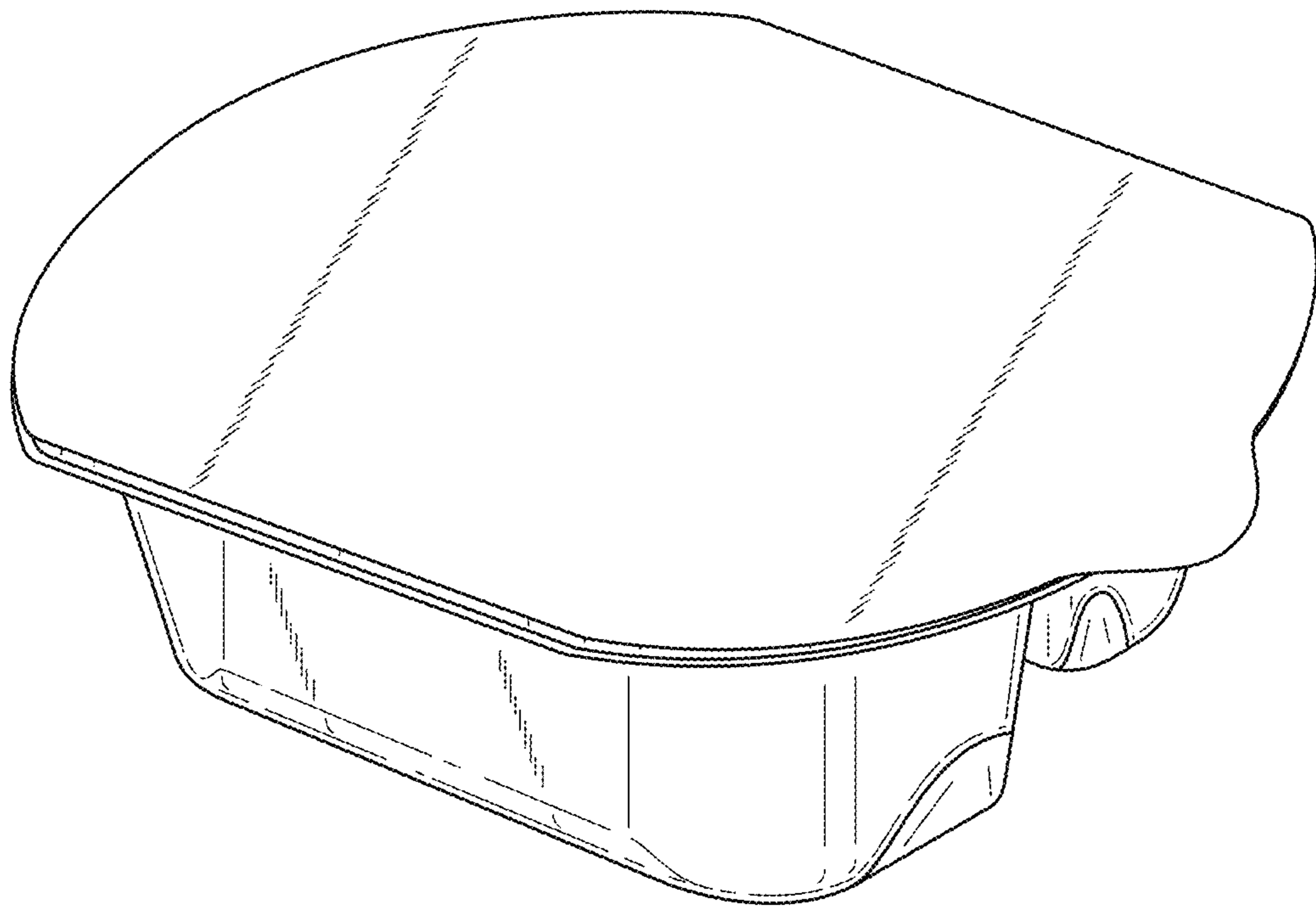


FIG. 1

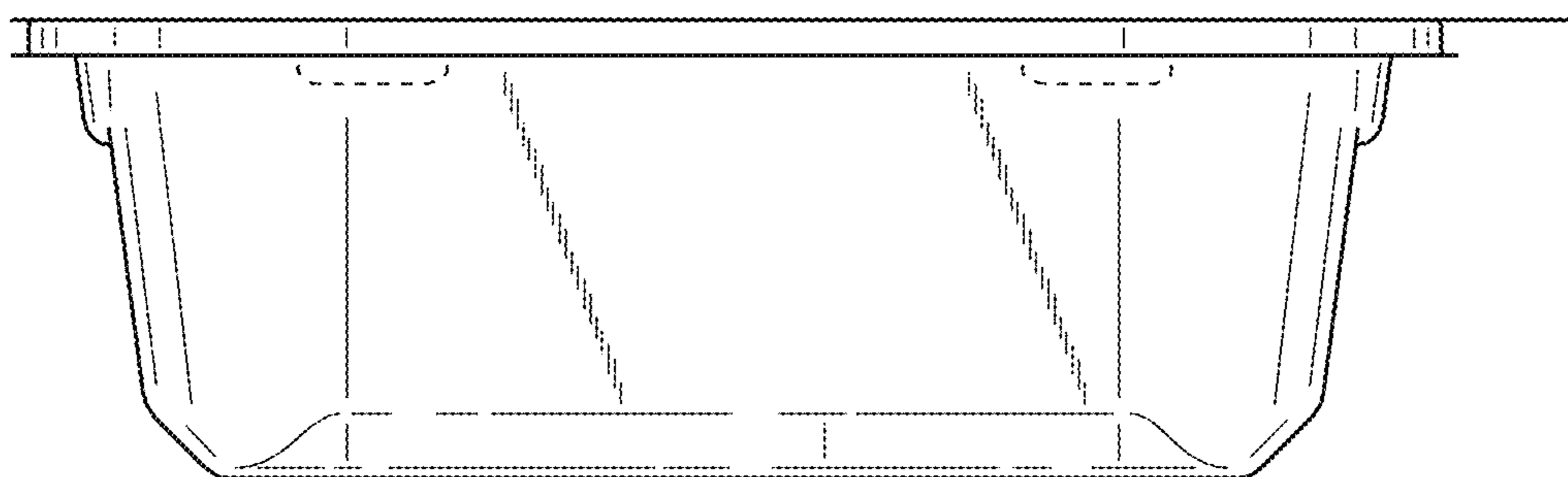


FIG. 2

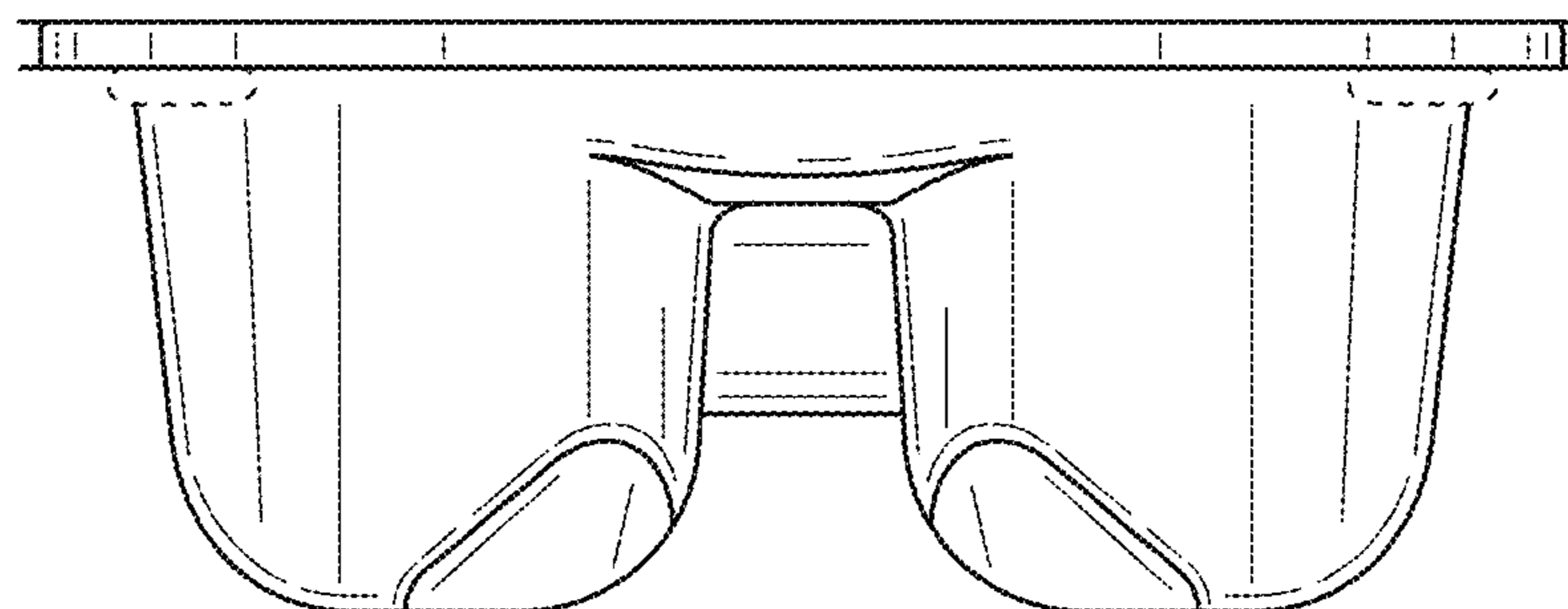


FIG. 3

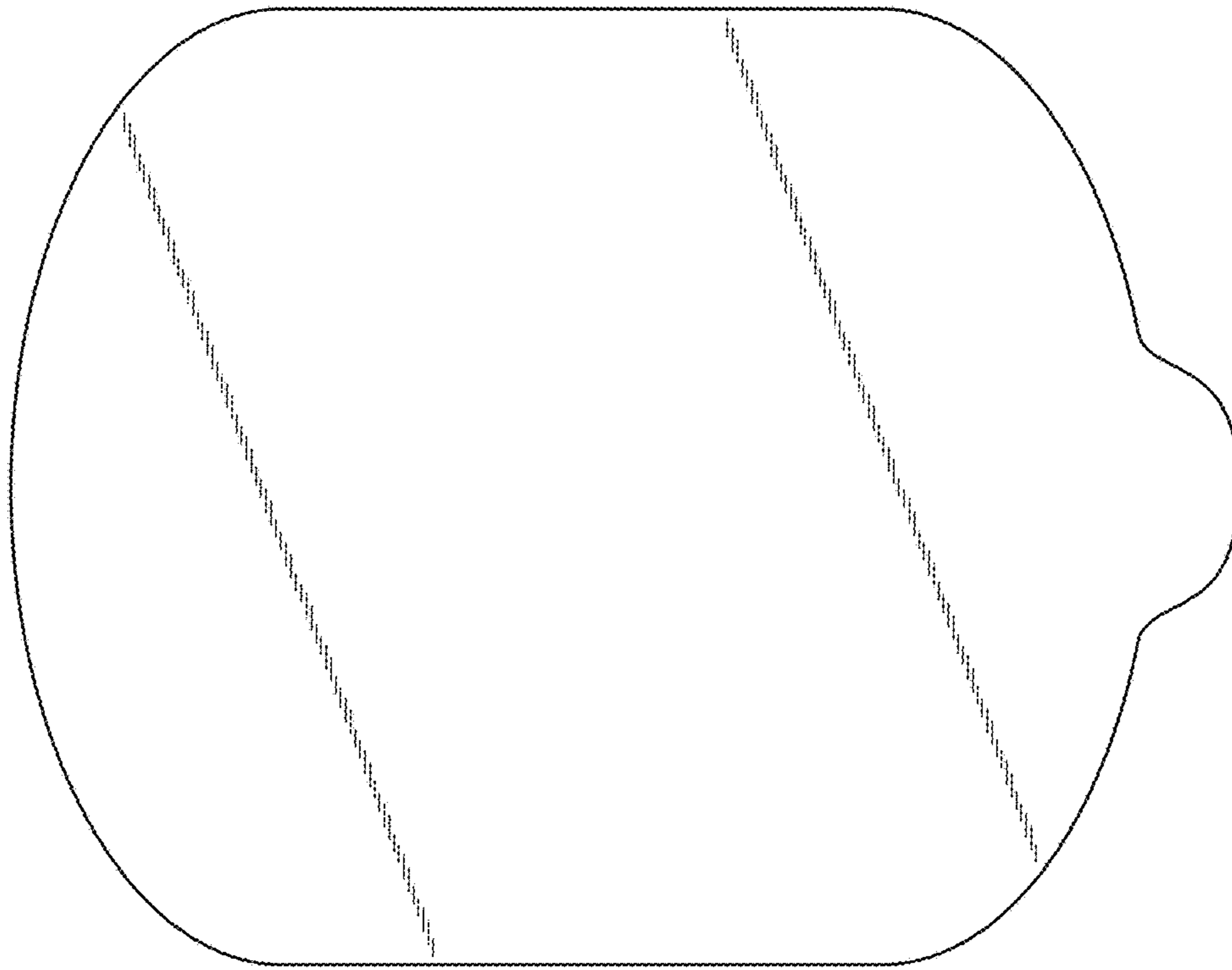


FIG. 4

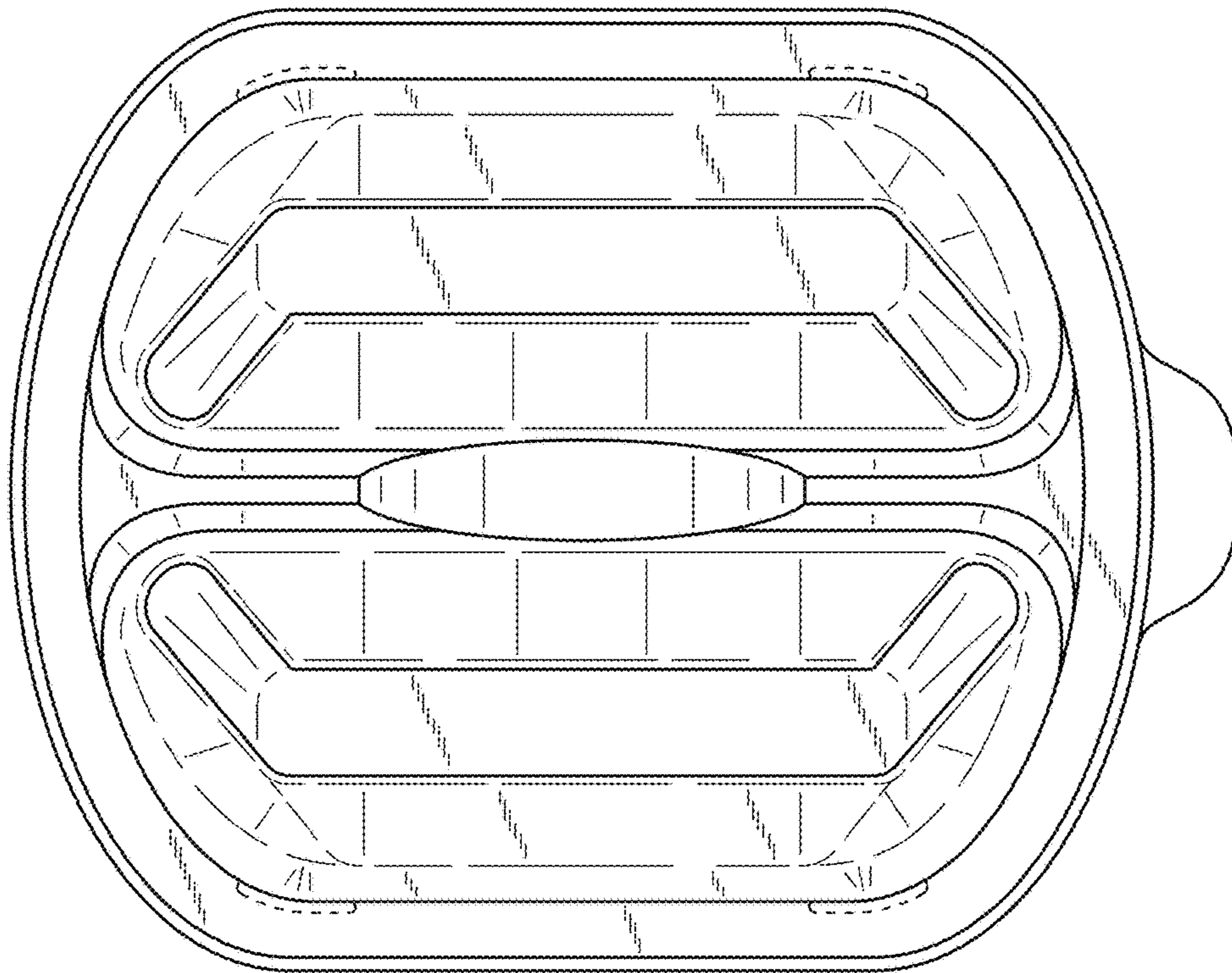


FIG. 5