



US00D823697S

(12) **United States Design Patent** (10) **Patent No.:** **US D823,697 S**
Bumpass et al. (45) **Date of Patent:** **** Jul. 24, 2018**

(54) **PACKAGE FOR A WAX ARTICLE** D306,263 S * 2/1990 Kerr D9/732
5,203,455 A * 4/1993 Hewelt B65D 75/367
(71) Applicant: **The Procter & Gamble Company,** 206/460
Cincinnati, OH (US) D562,135 S * 2/2008 Studee D9/452
D670,178 S * 11/2012 Carson D9/416
(72) Inventors: **Linda Marie Bumpass,** Finneytown, D698,866 S * 2/2014 Abdullah D19/77
OH (US); **Cassandra Ethel Cecilia**
Stricker, Burlington, KY (US); **Sara**
Elizabeth Fox, Cincinnati, OH (US);
Travis Propes, Charleston, SC (US);
Cindy Anne Garner, Springfield
Township, OH (US) D708,006 S * 7/2014 Smallegan D7/354
D804,322 S * 12/2017 Fox D9/756
2009/0057381 A1 * 3/2009 Gokhale B65D 1/26
229/104

(Continued)

FOREIGN PATENT DOCUMENTS

(73) Assignee: **The Procter & Gamble Company,** WO WO 2015/116528 A1 8/2015
Cincinnati, OH (US)

OTHER PUBLICATIONS

(**) Term: **15 Years**
(21) Appl. No.: **29/600,263**
(22) Filed: **Apr. 11, 2017**
(51) **LOC (11) Cl.** **09-01**
(52) **U.S. Cl.**
USPC **D9/732; D9/756**
(58) **Field of Classification Search**
USPC D9/415, 418, 424, 732, 756
CPC B65D 75/327; B65D 75/36; B65D 75/366;
B65D 75/367; B65D 75/32; B65D
2575/3245; B65D 75/326; B65D
2575/366; B65D 2585/88; B65D 75/322;
B65D 77/2032; B65D 5/4204; B65D
75/22; B65D 77/0413; B65D 5/4208;
B65D 77/02; B65D 25/22; B65D
75/5833; B65D 85/00; B65D 2543/00194;
B65D 2301/20; B65D 2575/3218; B65D
73/0007; B65D 73/0042
See application file for complete search history.

U.S. Appl. No. 15/246,740, filed Aug. 25, 2016, Fox, et al.
(Continued)

Primary Examiner — Lauren R Calve
(74) *Attorney, Agent, or Firm* — Abbey A. Lopez

(57) **CLAIM**

The ornamental design for a package for a wax article, as shown and described.

DESCRIPTION

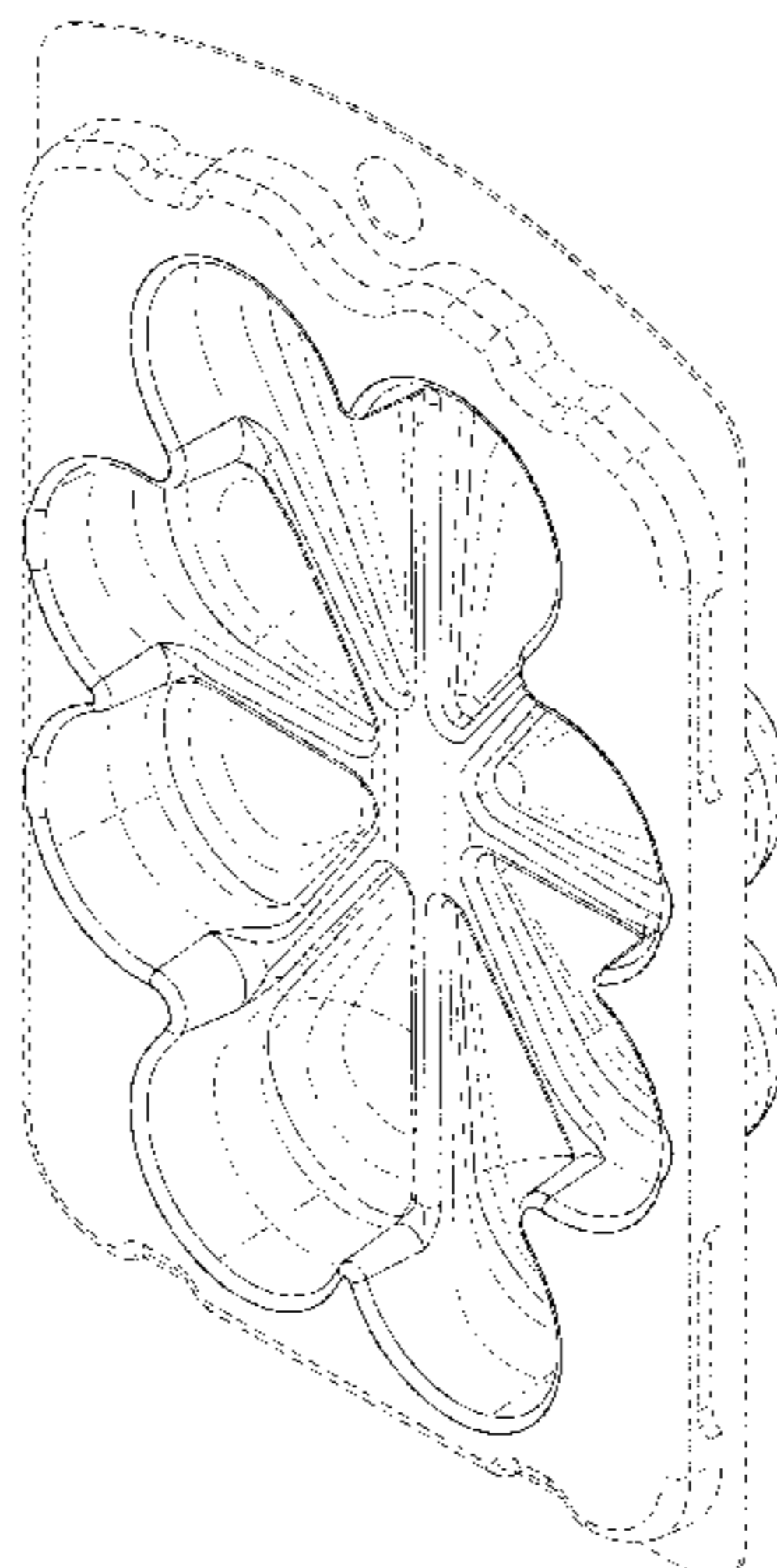
FIG. 1 is a front perspective view of a package for a wax article;
FIG. 2 is a front view thereof;
FIG. 3 is a left view thereof;
FIG. 4 is a back view thereof;
FIG. 5 is a right view thereof;
FIG. 6 is a top view thereof; and,
FIG. 7 is a bottom view thereof.
The broken lines shown in the drawings are for illustrative purposes only and form no part of the claimed design.

1 Claim, 6 Drawing Sheets

(56) **References Cited**

U.S. PATENT DOCUMENTS

3,190,499 A * 6/1965 Dow B65D 75/32
156/91
D305,733 S * 1/1990 Ferris D9/757



(56)

References Cited

U.S. PATENT DOCUMENTS

2012/0091027 A1* 4/2012 Ozawa A61J 1/035
206/531
2013/0228488 A1* 9/2013 Wu B65D 83/04
206/462
2016/0214778 A1* 7/2016 Goodsell B65D 47/32
2018/0013116 A1* 1/2018 Dorr H01M 2/1094

OTHER PUBLICATIONS

U.S. Appl. No. 29/575,434, filed Aug. 25, 2016, Fox, et al.
U.S. Appl. No. 29/575,435, filed Aug. 25, 2016, Fox, et al.
U.S. Appl. No. 29/575,436, filed Aug. 25, 2016, Fox, et al.
U.S. Appl. No. 29/575,437, filed Aug. 25, 2016, Fox, et al.
U.S. Appl. No. 29/600,265, filed Apr. 11, 2017, Bumpass, et al.
Pan Aroma Scented Wax Melt Vanilla Breeze; available—[httpwww.homestoreandmore.ie/wax-meltspan-aroma-scented-wax-melt-vanilla-breezeinv063695](http://www.homestoreandmore.ie/wax-meltspan-aroma-scented-wax-melt-vanilla-breezeinv063695); Downloaded Jul. 13, 2016.
All Office Action for U.S. Appl. No. 15/246,740; P&G Case 14471.
All Office Action for U.S. Appl. No. 29/575,434; P&G Case D2399.
All Office Action for U.S. Appl. No. 29/575,435; P&G Case D2400.
All Office Action for U.S. Appl. No. 29/575,436; P&G Case D2401.
All Office Action for U.S. Appl. No. 29/575,437; P&G Case D2402.
All Office Action for U.S. Appl. No. 29/600,265; P&G Case D2622.

* cited by examiner

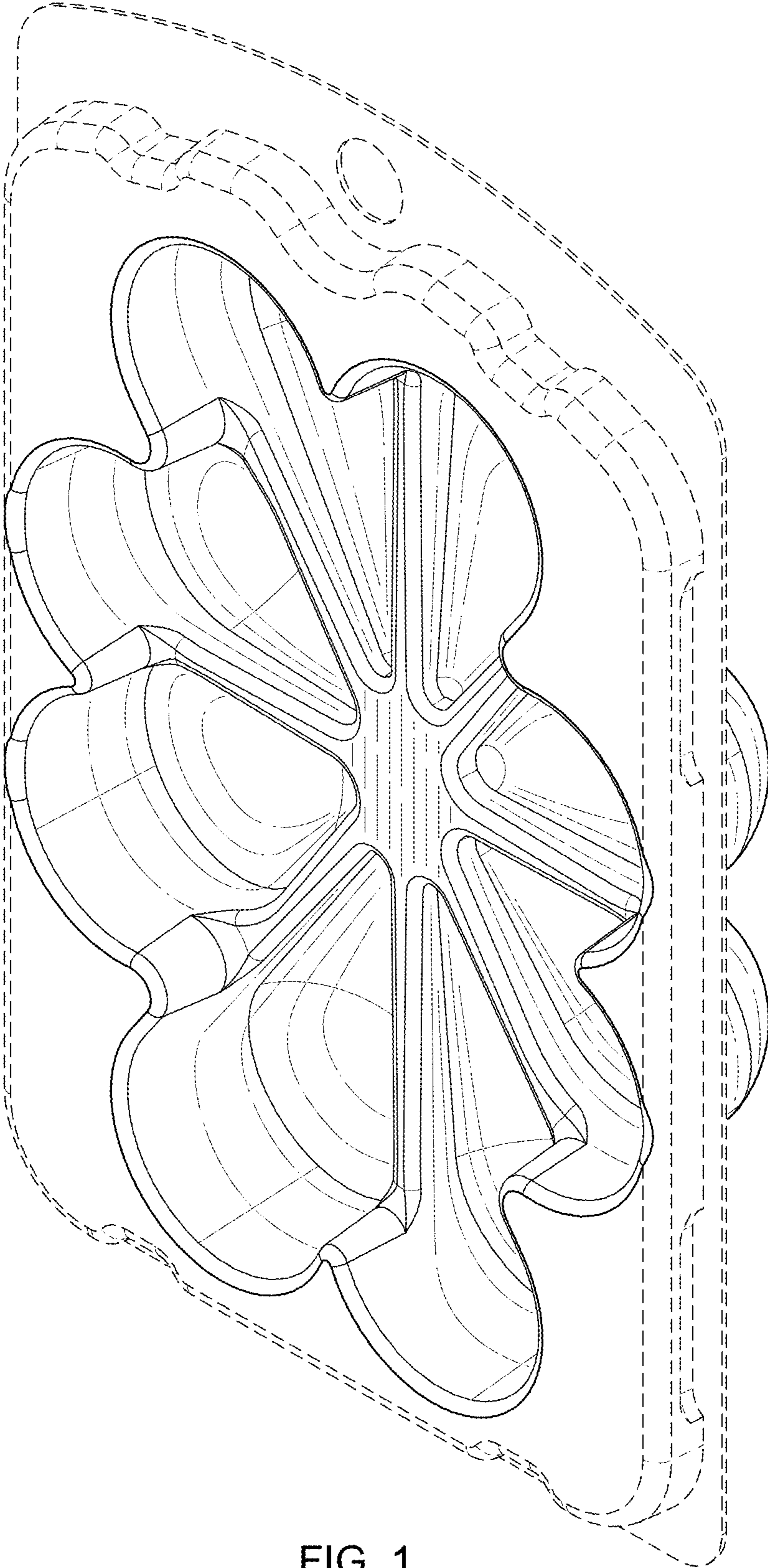


FIG. 1

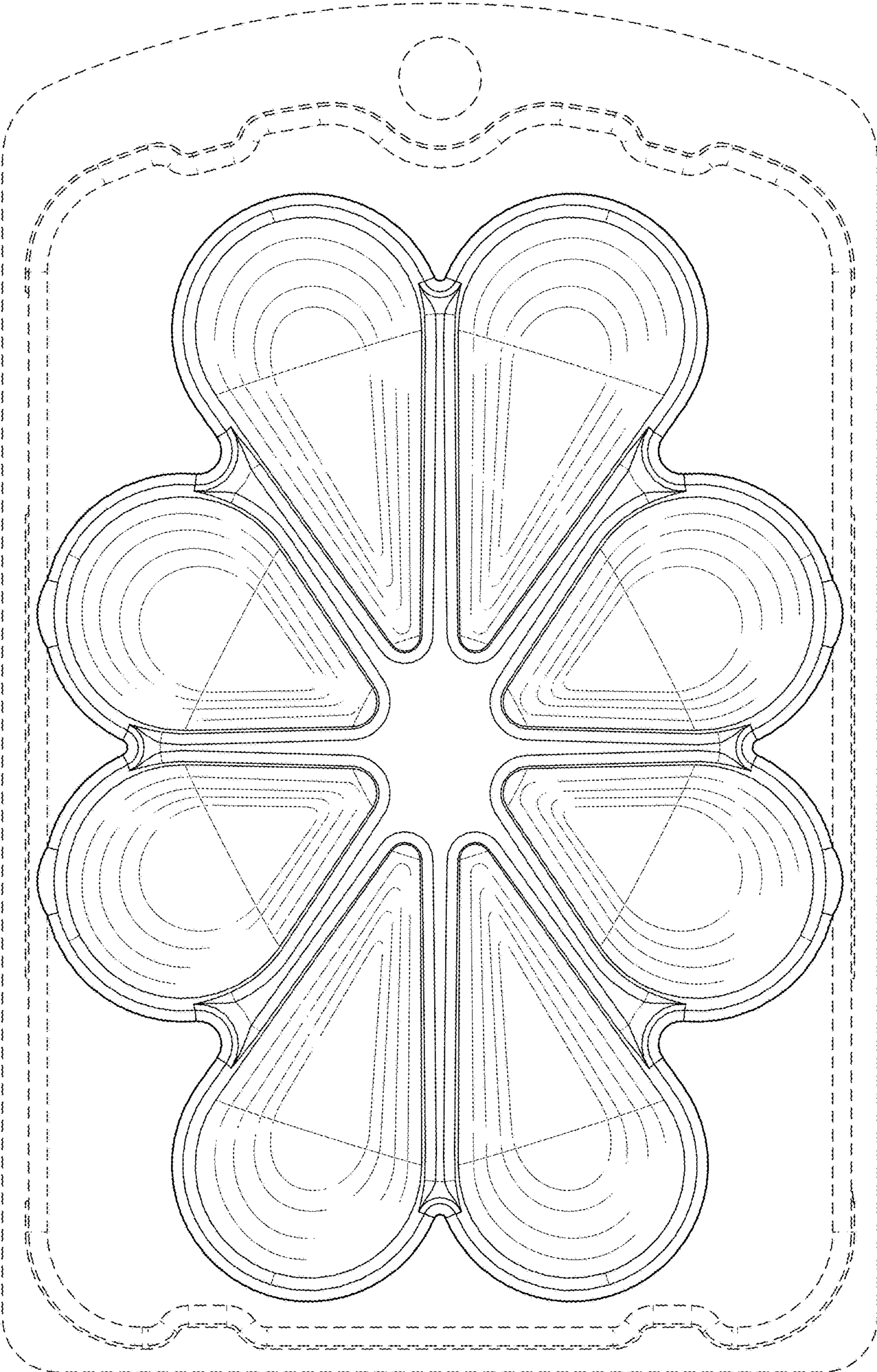


FIG. 2

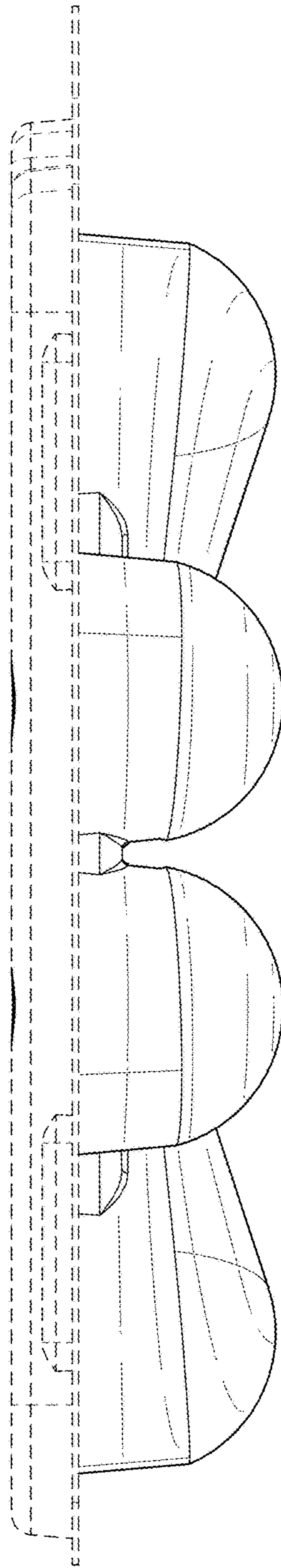


FIG. 3

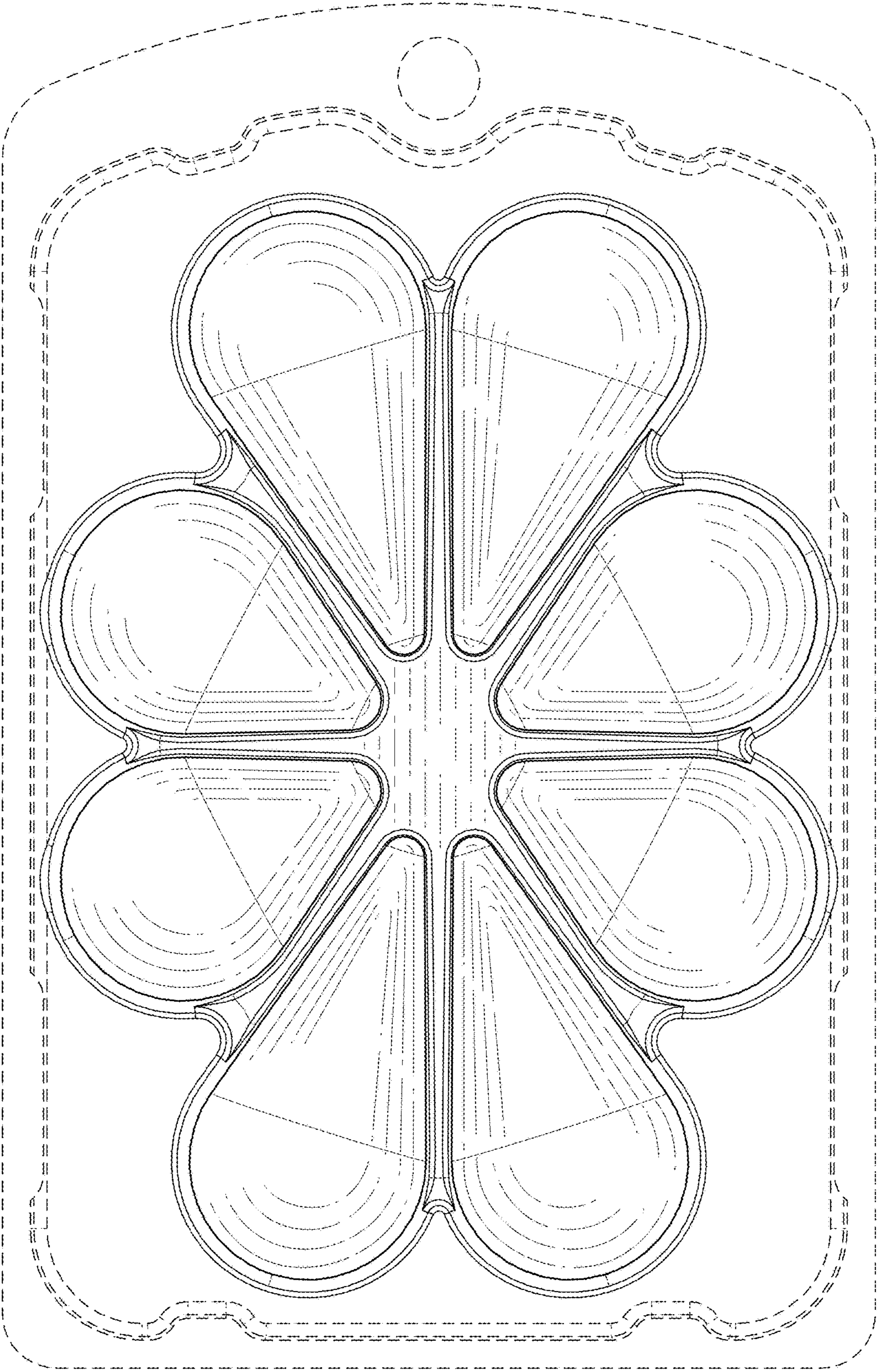


FIG. 4

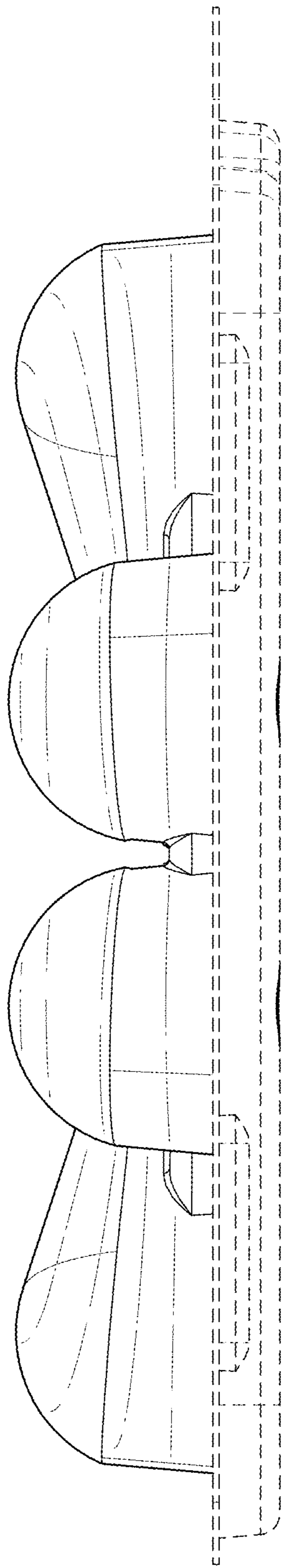


FIG. 5

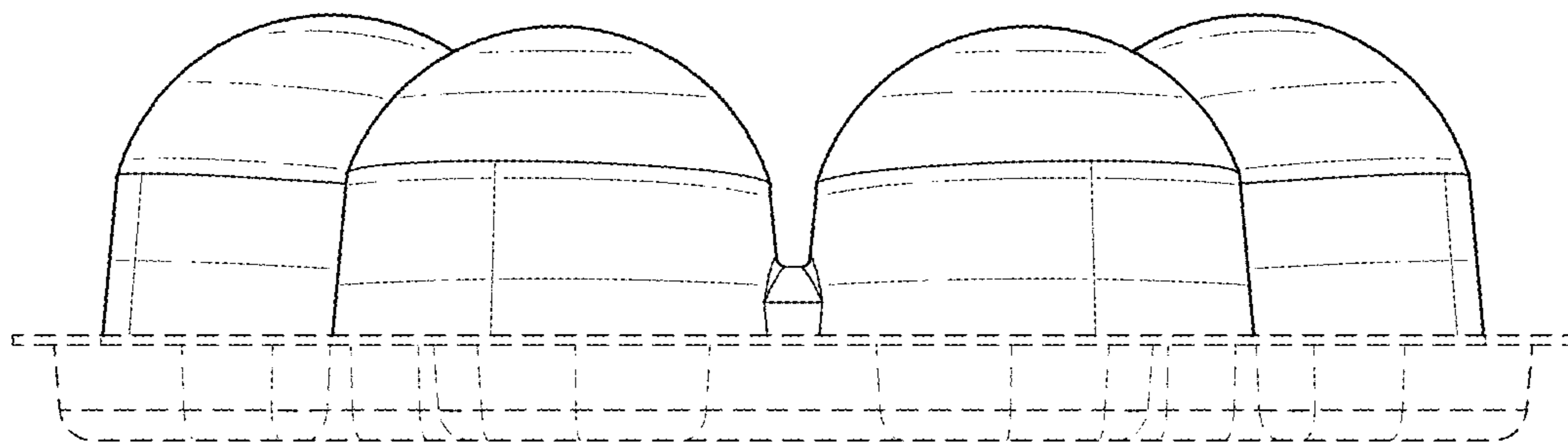


FIG. 6

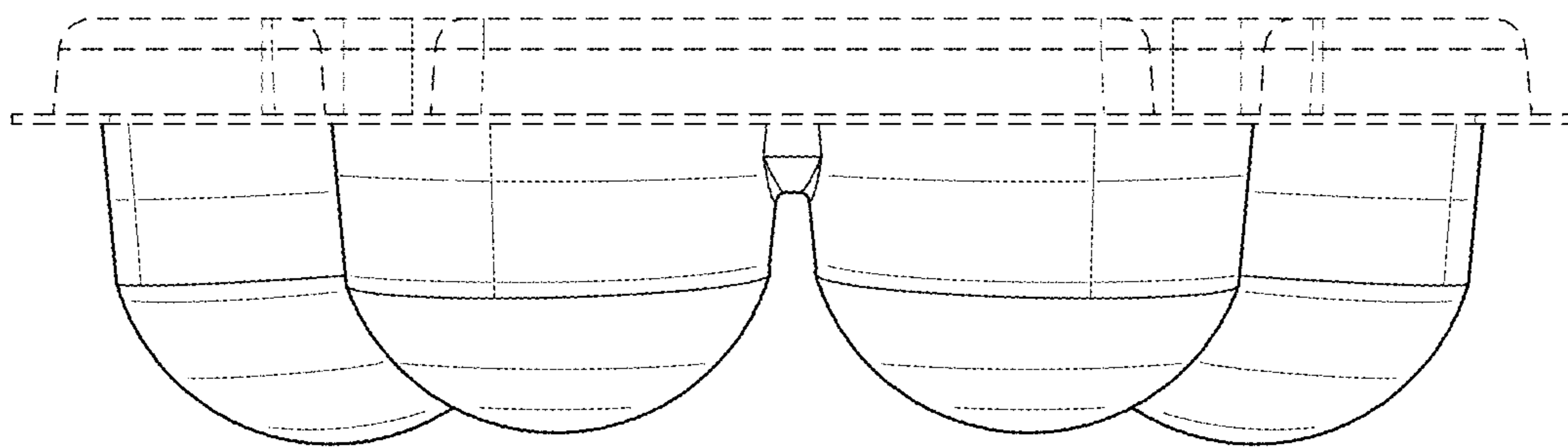


FIG. 7