



US00D823696S

(12) **United States Design Patent** (10) **Patent No.:** **US D823,696 S**
O'Neill (45) **Date of Patent:** **** Jul. 24, 2018**

(54) **PACKAGING**

(71) Applicant: **SUGARFINA, INC.**, Inglewood, CA
(US)

(72) Inventor: **Rosie Colleen O'Neill**, Inglewood, CA
(US)

(73) Assignee: **SUGARFINA, INC.**, Inglewood, CA
(US)

(**) Term: **15 Years**

(21) Appl. No.: **29/609,555**

(22) Filed: **Jun. 30, 2017**

(51) **LOC (11) Cl.** **09-05**

(52) **U.S. Cl.**
USPC **D9/711**

(58) **Field of Classification Search**
USPC ... D9/702-714, 414, 430-33, 715, 425, 721,
D9/760-761, 415, 456, 416; 206/784,
206/457, 822, 223, 557, 561, 299, 770,
206/565; 229/125.05, 902, 938, 87.05,
229/87.01, 87.19, 116.5, 122, 201, 939,
229/942, 100, 101, 101.2, 103.2;
215/400; D7/354, 553.2, 555, 629, 701,
D7/602; 220/890, 376, 377, 556, 380,
220/657, 659

CPC B65D 5/00; B65D 5/001; B65D 5/0015;
B65D 5/0227; B65D 5/18; B65D 5/6605;
B65D 5/48024; B65D 5/06; B65D 75/00;
B65D 75/02; B65D 2571/0066

See application file for complete search history.

(56) **References Cited**

U.S. PATENT DOCUMENTS

228,158 A	5/1880	Woods	
D36,435 S	7/1903	Daggett	
D42,846 S *	8/1912	Farrell D9/711
1,162,840 A	12/1915	Wood	
1,588,857 A	6/1926	Sherman	

D71,513 S	11/1926	Austin
1,620,789 A	3/1927	Urban, Jr.
1,697,880 A	1/1929	Peter
1,762,923 A	6/1930	Fegely
D86,128 S	2/1932	Levkoff
1,871,617 A	8/1932	King
1,892,092 A	12/1932	Barad

(Continued)

OTHER PUBLICATIONS

Sweitzer Candy Gift Box 8, available Feb. 21, 2015, [online], [site visited Aug. 2, 2017]. Available from internet, <URL: https://web.archive.org/web/20150221225755/https://sweitzercandy.com/index.php/gift-boxes.html, 2 pages.

(Continued)

Primary Examiner — Abraham Bahta

(74) *Attorney, Agent, or Firm* — Troutman Sanders LLP;
Alexis N. Simpson

(57) **CLAIM**

The ornamental design for a packaging, as shown and described.

DESCRIPTION

FIG. 1 is a perspective view of a packaging showing my new design.

FIG. 2 is a top view thereof.

FIG. 3 is a bottom view thereof.

FIG. 4 is a left view thereof.

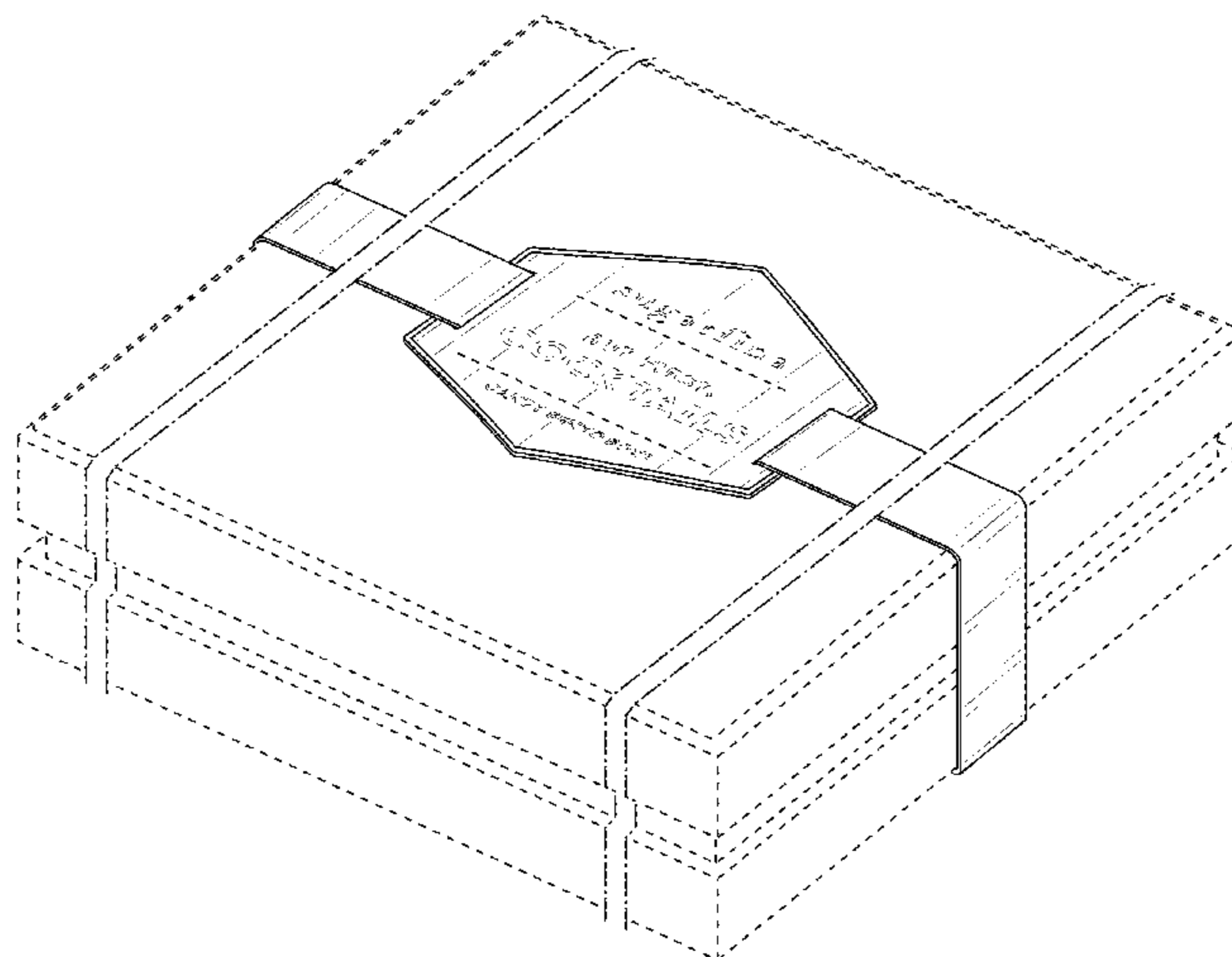
FIG. 5 is a right view thereof.

FIG. 6 is a front view thereof; and,

FIG. 7 is a rear view thereof.

The broken lines shown represent unclaimed subject matter and form no part of the claimed design. The shade lines shown represent surface shading and not surface ornamentation, color, or material type. The dot-dashed boundary lines are break-away lines indicating that the packaging has no specific length.

1 Claim, 7 Drawing Sheets



(56)

References Cited

U.S. PATENT DOCUMENTS

1,899,547 A	2/1933	Addis et al.	D580,263 S	11/2008	Yi Man
1,994,159 A	3/1935	Wurzburg	D584,053 S	1/2009	Abdo et al.
D95,429 S	4/1935	James et al.	D596,485 S	7/2009	Andre et al.
2,522,049 A	9/1950	Lang	D603,720 S	11/2009	Cesare et al.
2,541,173 A	2/1951	Moore	D609,116 S	2/2010	Kim
2,597,377 A	5/1952	Robinson	7,757,843 B2	7/2010	Katsis
2,604,980 A	7/1952	Reid	D621,548 S	8/2010	Chen
2,751,135 A	6/1956	Kessler	D643,306 S	8/2011	Martinez et al.
2,782,951 A	2/1957	Inman	8,006,842 B1	8/2011	Loughlin, Jr. et al.
2,790,589 A	4/1957	Moore	D646,984 S	10/2011	Moore et al.
3,004,661 A	10/1961	Schumann	8,109,389 B1	2/2012	Amer
3,126,093 A	3/1964	Bradley et al.	D657,284 S	4/2012	Young
3,357,543 A	12/1967	Taggart	D663,520 S	7/2012	Antler
3,423,006 A	1/1969	Stedman	D664,312 S	7/2012	Bizzle
3,494,534 A	2/1970	McFarland et al.	8,272,509 B1	9/2012	McCutchen
3,600,871 A	8/1971	Farquhar	D669,352 S	10/2012	Paslawski
3,660,934 A	5/1972	Pollack et al.	D670,931 S	11/2012	Tapper
D242,771 S	12/1976	Papillon	D670,932 S	11/2012	Tapper
D244,085 S	4/1977	Giddings et al.	D673,864 S	1/2013	Read et al.
4,139,096 A	2/1979	Sieger	D675,539 S	2/2013	Bigliarians
D258,938 S	4/1981	Spitzer	D682,119 S	5/2013	Buford
D260,077 S *	8/1981	Burns D9/711	D685,578 S	7/2013	Pestell
4,293,079 A	10/1981	Lytle	D686,065 S	7/2013	Kuo et al.
D292,876 S	11/1987	Grunhut	D686,491 S	7/2013	Kuo et al.
D292,877 S	11/1987	Grunhut	D687,321 S	8/2013	Pralus
4,713,928 A	12/1987	Tisma	D690,554 S	10/2013	Presley
4,757,898 A	7/1988	Klein	D691,465 S	10/2013	O'Brien et al.
D307,504 S	4/1990	Silcox	D691,900 S	10/2013	Kraus
D315,297 S	3/1991	Campbell	D694,123 S *	11/2013	Bowman D9/711
D317,717 S	6/1991	Carol	D698,639 S	2/2014	Fletcher et al.
D317,718 S	6/1991	Carol	D698,664 S	2/2014	Abbott
5,038,940 A	8/1991	Okabe	D700,462 S	3/2014	Boos
5,096,056 A	3/1992	Garcia	D704,550 S	5/2014	Mattila et al.
D327,004 S	6/1992	Nadel	D706,627 S	6/2014	Olsson et al.
D329,601 S	9/1992	Samelson	D709,305 S	7/2014	Tapper
D333,615 S	3/1993	Zutler	D709,306 S	7/2014	Tapper
D335,819 S	5/1993	Campbell	D709,364 S	7/2014	Olsson et al.
D344,020 S	2/1994	Pavely	D712,176 S	9/2014	Tamilarasan
5,375,706 A	12/1994	Perez	D712,748 S	9/2014	Akana et al.
D361,508 S	8/1995	Schnack	D713,739 S	9/2014	Akana et al.
D361,661 S	8/1995	Masuda	D717,165 S	11/2014	Kwak et al.
D373,723 S	9/1996	Healey	D722,870 S	2/2015	Fohner et al.
5,555,982 A	9/1996	Kuhn et al.	D728,358 S	5/2015	Belamich
5,590,786 A	1/1997	Jaycox	D729,636 S	5/2015	Steinberger
5,603,558 A	2/1997	Zimmer	D730,749 S	6/2015	Young et al.
D380,417 S	7/1997	Hardy	D731,323 S	6/2015	O'Neill
D380,926 S	7/1997	Goodburn et al.	D731,325 S	6/2015	Loessin
5,682,999 A	11/1997	Larson	D733,314 S	6/2015	Lui
5,791,468 A	8/1998	House	D733,315 S	6/2015	Lui
5,817,510 A	10/1998	Pandey et al.	D733,317 S	6/2015	Lui
D411,308 S	6/1999	Pandey et al.	D733,318 S	6/2015	Lui
D424,296 S	5/2000	David	9,061,790 B2	6/2015	Yagishita
D424,425 S	5/2000	Ngai	D734,075 S	7/2015	Tapper
D426,902 S	6/2000	Hardy et al.	D738,721 S	9/2015	Song et al.
D433,630 S	11/2000	Lubineau-Bigot et al.	D741,193 S	10/2015	Lohuis et al.
6,349,820 B1	2/2002	Kelley et al.	D748,280 S	1/2016	Lui
D455,073 S	4/2002	Mizrahi	D754,408 S	4/2016	Garrett et al.
D464,568 S	10/2002	Sisinni	D755,641 S	5/2016	O'Neill
D464,885 S	10/2002	Weinstein et al.	D756,560 S	5/2016	Ghiotti et al.
D468,100 S	1/2003	Bowling	D756,804 S	5/2016	Gross
6,533,166 B1	3/2003	Kaiss	D758,191 S	6/2016	Tu et al.
D477,911 S	8/2003	Stuart	D763,104 S	8/2016	Akana et al.
D492,194 S	6/2004	Kim	D763,683 S	8/2016	O'Neill
D494,862 S	8/2004	Sisinni	D763,684 S	8/2016	O'Neill
6,923,556 B1	8/2005	Baker, III	D764,911 S	8/2016	Glass et al.
D510,528 S	10/2005	Funk	D766,736 S *	9/2016	Shoshan D9/711
D511,681 S	11/2005	Cogley et al.	D768,008 S	10/2016	Akana et al.
D521,733 S	5/2006	Kim	D769,727 S	10/2016	Lohuis et al.
D522,376 S	6/2006	Hales	D769,986 S	10/2016	Tim
D528,794 S	9/2006	Lanham et al.	D772,057 S	11/2016	Adams et al.
D529,378 S *	10/2006	Spencer D9/711	D774,388 S	12/2016	Xia
D536,246 S	2/2007	Schneider	9,533,791 B2	1/2017	Fath
7,264,123 B2	9/2007	Reed	D780,569 S	3/2017	Bard et al.
D553,495 S	10/2007	Vandecasteele et al.	D780,570 S	3/2017	Bard et al.
D568,765 S	5/2008	Miles	D787,186 S	5/2017	Thurbin
			D787,320 S	5/2017	Gill et al.
			D789,752 S *	6/2017	Zmrhal D7/601
			D798,737 S *	10/2017	Miller D9/711
			2002/0108880 A1	8/2002	Krupa et al.

(56)

References Cited

U.S. PATENT DOCUMENTS

2006/0266672	A1	11/2006	Young
2006/0283733	A1	12/2006	Masa
2007/0095693	A1	5/2007	DeLuca
2008/0190788	A1	8/2008	Cziraky
2009/0242455	A1	10/2009	Adams et al.
2010/0012672	A1	1/2010	Piron
2010/0187227	A1	7/2010	Wang
2011/0174166	A1	7/2011	Sparacio et al.
2012/0168434	A1	7/2012	Alagarda Cervera et al.
2012/0168443	A1	7/2012	Maness
2013/0161378	A1	6/2013	Nebeker et al.
2013/0240387	A1	9/2013	Pugh
2013/0248531	A1	9/2013	Lane
2014/0021086	A1	1/2014	Roesler
2014/0166736	A1	6/2014	Kato
2014/0312107	A1	10/2014	Nash
2015/0093509	A1	4/2015	Kennedy et al.
2015/0232245	A1	8/2015	Fullan
2015/0321811	A1	11/2015	Yeung
2016/0009473	A1	1/2016	Korinek et al.
2016/0046404	A1	2/2016	Cheeser et al.
2016/0185511	A1	6/2016	O'Neill
2017/0050797	A1	2/2017	Farid et al.
2017/0076343	A1	3/2017	Bernstein et al.
2017/0138660	A1	5/2017	Huckaby et al.
2017/0152092	A1	6/2017	Glass et al.

OTHER PUBLICATIONS

Sweitzer Candy Gift Box 4, available Feb. 21, 2015, [online], [site visited Aug. 2, 2017]. Available from internet, <URL: <https://web.archive.org/web/20150221225755/https://sweizercandy.com/index.php/gift-boxes.html>>, 2 pages.

"A Taste of Paradise," Collection by Sugarfina, available Aug. 2, 2017, [online], [site visited Aug. 2, 2017]. Available from Internet, <URL: <https://www.sugarfina.com>>, 1 page.

Cubetas, [online], [site visited Aug. 16, 2017]. Available from internet, <URL: <http://cubetas.jp/>>, 19 pages.

Chocomize, Candy Cube Boxes, www.chocomize.com/candy-cube-box-9pc.html (Jun. 29, 2017).

MidNite Snax, Signature Sets, http://midnitesnax.com/home_page_files/view/1265/file.pdf (Jun. 29, 2017).

Sweet Pete's, Build-a-Candy-Cube-Box, <https://www.sweetpetescandy.com/collections/build-a-candy-cube-box> (Jun. 29, 2017).

Sweet Pete's, Pete's Picks Collection, www.sweetpetescandy.com:80/collections/boxes (Mar. 23, 2016).

Sweitzer Candy Shop, Gifts, <https://sweizercandy.com/index.php/gift-boxes.html> (Jun. 29, 2017).

Sugarfina, Design Your Own Bento, www.sugarfina.com/shop/gift-shop/gift-type/design-your-own-bento (Jun. 29, 2017).

Sugarfina, Custom Catalogue, <https://issuu.com/sugarfina/docs/2017-corporatecatalog-ppai-webversi> (Jun. 29, 2017).

Teapressa, Tea + Cube, available at <https://teapressa.com/collections/gifts/products/tea-cube> (Jun. 29, 2017).

Sugarfina Partners With Sanrio to Create the Cutest Hello Kitty Candy on the Planet. [online] Published Sep. 17, 2017. Retrieved Nov. 20, 2017 from URL: <https://www.popsugar.com/food/photo-gallery/44018877/image/44018885/Sugarfinas-Pop-Up-Candy-Bento-Box-30>.

Rigid Set-up Box, Wine and Champagne Chocolate Leather Gift Box, Faux Leather, Dark Brown, Qty/CASE-6. [online] Retrieved Nov. 22, 2017 from URL: <https://www.aspecialtybox.com/RG00F-00493-C>.

House Drawer Gift Box/CMXSSGB-10. [online] Retrieved Nov. 22, 2017 from URL: <http://www.charmpackaging.com/special-shape-gift-box/house-drawer-gift-box-cmxssgb-010.html>.

Bouquet Bar 3 Piece Box Photo—Instagram—<https://www.instagram.com/p/BPs-h6rBWic/>?taken-by=thebouquetbar; Jan. 25, 2017, 1 page.

Bouquet Bar 6 Piece Box Photo—"It's Time to Ditch the Red Roses: Six Better Ways to Give Your Valentine Flowers," People Home & Travel; Jan. 31, 2017, 10 pages.

Bouquet Bar 6 Piece Photo—Instagram—<https://www.instagram.com/p/BP-9I12hV9Q/>?taken-by=thebouquetbar; Feb. 1, 2017, 1 page.

Chocomize 2 Piece Box—<https://www.chocomize.com/candy-cubes-2pack.html>; Oct. 16, 2017, 4 pages.

Chocomize 3 Piece Box Photo—Facebook—<https://www.facebook.com/Chocomize/photos/a.423529781180.220124.176532311180/10154561729211181/?type=3&theater>; Nov. 11, 2016, 1 page.

Chocomize 6 Piece Box—<https://www.chocomize.com/candy-cube-6pcs-box.html>; Oct. 16, 2017, 3 pages.

Chocomize 9 Piece Box Photo—Instagram—<https://www.instagram.com/p/BI5r4s6BLH7/>?taken-by=chocomize; Aug. 9, 2016, 1 page.

Chocomize 9 Piece Box Photo—Instagram—<https://www.instagram.com/p/BMpjEEUhpqV/>?taken-by=chocomize; Nov. 10, 2016, 1 page.

Chocomize 9 Piece Box Photo—Instagram—<https://www.instagram.com/p/BMrp0YdhQeU/>?taken-by=chocomize; Nov. 11, 2016, 1 page.

Cubetas 2 Piece and 3 Piece Box Photo—Instagram—<https://www.instagram.com/p/BMyWwq0BQoH/>?taken-by=cubetas.2016; Nov. 14, 2016, 1 page.

Cubetas 2 Piece and 3 Piece Box Photo—Instagram—<https://www.instagram.com/p/BNtkhJpBzYm/>?taken-by=cubetas.2016; Dec. 7, 2016, 1 page.

Cubetas 2 Piece Box Photo—Instagram—<https://www.instagram.com/p/BMQ9Bjihqyz/>?taken-by=cubetas.2016; Nov. 1, 2016, 1 page.

Cubetas 3 Piece Box Photo—Instagram—<https://www.instagram.com/p/BPrxqTThloh/>?taken-by=cubetas.2016; Jan. 25, 2017, 1 page.

Foxes Events 6 Piece Box Photo—Instagram—<https://www.instagram.com/p/BQVMWj7jZke/>?taken-by=foxesevents&hl=en; Feb. 10, 2017, 1 page.

Idea Stage 2 Piece Box—<https://www.ideastage.com/Cube-Shaped-Candy-Set-965458328>; Oct. 13, 2017, 2 pages.

Sugarwish 2 Piece and 4 Piece Boxes—<https://web.archive.org/web/20151201071311/https://sugarwish.com/choose-a-sugarwish/>; Dec. 1, 2015, 1 page.

Sweet Lounge 2 Piece Box—<https://www.sweetlounge.co.uk/lounge-box-hello-spring-collection-for-vegans/>; Oct. 16, 2017, 6 pages.

Sweet Lounge 3 Piece and 4 Piece Box Photo—Instagram—https://www.instagram.com/p/BM_eHn6g8ly/?taken-by=sweetloungeuk; Nov. 19, 2016, 1 page.

Sweet Lounge 3 Piece and 4 Piece Box Photo—Instagram—https://www.instagram.com/p/BMY_iidAMwX/?taken-by=sweetloungeuk; Nov. 4, 2016, 1 page.

Sweet Lounge 4 Piece Box—Instagram—<https://www.instagram.com/p/BNMnfaJgwOo/>?taken-by=sweetloungeuk; Nov. 24, 2016, 1 page.

Sweet Lounge 4 Piece Box—<https://www.sweetlounge.co.uk/lounge-box-hello-spring-collection/>; Oct. 16, 2017, 7 pages.

Sweet Lounge 4 Piece Box Video Snapshots—Facebook—<https://www.facebook.com/sweetloungeuk/videos/vb.670728213008752/1188285557919679/?type=2&theater>; Nov. 16, 2016, 6 pages.

Sweet Pete's 8 Piece Box—www.sweetpetescandy.com/collections/create-a-box; Nov. 18, 2016, 2 pages.

Sweitzer Candy 3 Piece Box Photo—Instagram—<https://www.instagram.com/p/440XveluqO/>?taken-by=sweizercandy; Jul. 8, 2015, 1 page.

Sweitzer Candy 4 Piece Box Photo—Instagram—<https://www.instagram.com/p/440XveluqO/>?taken-by=sweizercandy; Apr. 16, 2015, 1 page.

Sweitzer Candy 8 Piece Box Photo—Instagram—<https://www.instagram.com/p/wLDm8Oluj/>?taken-by=sweizercandy; Dec. 4, 2014, 1 page.

(56)

References Cited

OTHER PUBLICATIONS

Webb Company 2 Piece Box Photo—Facebook—<https://www.facebook.com/webbcollection/photos/a.376918812240.156708.376836382240/10154628557212241/?type=3&theater>; Oct. 18, 2016, 1 page.

Webb Company 4 Piece Box—<https://www.facebook.com/webbcollection/photos/a.376918812240.156708.376836382240/10154602255037241/?type=3&theater>; Oct. 11, 2016, 1 page.

Weeny Beeny 3 Piece Box Photo—Facebook—<https://www.facebook.com/weenybeenyl23/>; Jan. 31, 2017, 1 page.

Weeny Beeny 4 Piece Box Photo—Facebook—<https://www.facebook.com/weenybeenyl23/>; Jan. 31, 2017, 1 page.

Bonbonist Box Photo—Facebook—<https://www.facebook.com/thebonbonist/photos/a.1493876617357861.1073741829.1290401221038736/1493876580691198/?type=3&theater>; Oct. 1, 2017, 1 page.

Bonbonist—<https://thebonbonist.com/>; Oct. 18, 2017, 4 pages.

Rosie O'Neill of Sugarfina—The Everygirl; <http://theeverygirl.com/rosie-oneill-of-sugarfina>; May 18, 2014; 27 pages.

Sugar Fix: Sugarfina Pasadena; <https://studiodiy.com/2015/07/21/sugar-fix-sugarfina-pasadena/>; Jul. 21, 2015; 15 pages.

Sugarfina Launches—Atlanta's Lenox Square Just Got Sweeter!; <http://www.momsmagicalmiles.com/sugarfina-launches-atlantas-lenox/>; Nov. 6, 2015; 15 pages.

Luxurious One-of-a-Kind Candy Shop Tour With Sugarfina—Best Friends for Frosting; <https://bestfriendsforfrosting.com/2015/11/luxurious-one-kind-candy-sugarfina/>; Nov. 17, 2015; 16 pages.

NYC Guide: Sugarfina—York Avenue; <https://yorkavenueblog.com/nyc-guide-sugarfina/>; Oct. 26, 2015; 74 pages.

Sugarfina—A Unique Candy Boutique at the Americana; <http://www.realmomofsv.com/2014/06/18/sugarfina-a-unique-candy-boutique-at-the-americana/>; Jun. 18, 2014; 28 pages.

Sugar & Charm // Sugarfina—Mary Costa Photography; <http://marycostaphotography.com/sugar-charm-sugarfina/>; Apr. 22, 2014; 24 pages.

Drool Worthy Sweets in Cute Packaging Beckon at Sugarfina Candy Shop; <http://www.7x7.com/drool-worthy-sweets-in-cute-packaging-beckon-at-sugarfina-candy-shop-1787196138.html>; Jul. 15, 2015; 4 pages.

Jonathan Adler Sugarfina Bento Boxes_InStyle.com; <http://www.instyle.com/lifestyle/news/sugarfina-loves-jonathan-adler-collection>; Apr. 11, 2016; 2 pages.

Kasey's Kitchen: Kasey's Favorite Thing #20: Sugarfina; <http://kaseyskitchentv.blogspot.com/2013/12/kaseys-favorite-thing-20-sugarfina.html>; Dec. 17, 2013; 3 pages.

Sugarfina Representative Instagram posts; <https://www.instagram.com/sugarfina/?hl=en>; 16 pages.

Sugarfina Representative Facebook posts; <https://www.facebook.com/Sugarfina/>; 5 pages.

Sugarfina Representative Twitter posts; <https://twitter.com/sugarfina>; 22 pages.

* cited by examiner

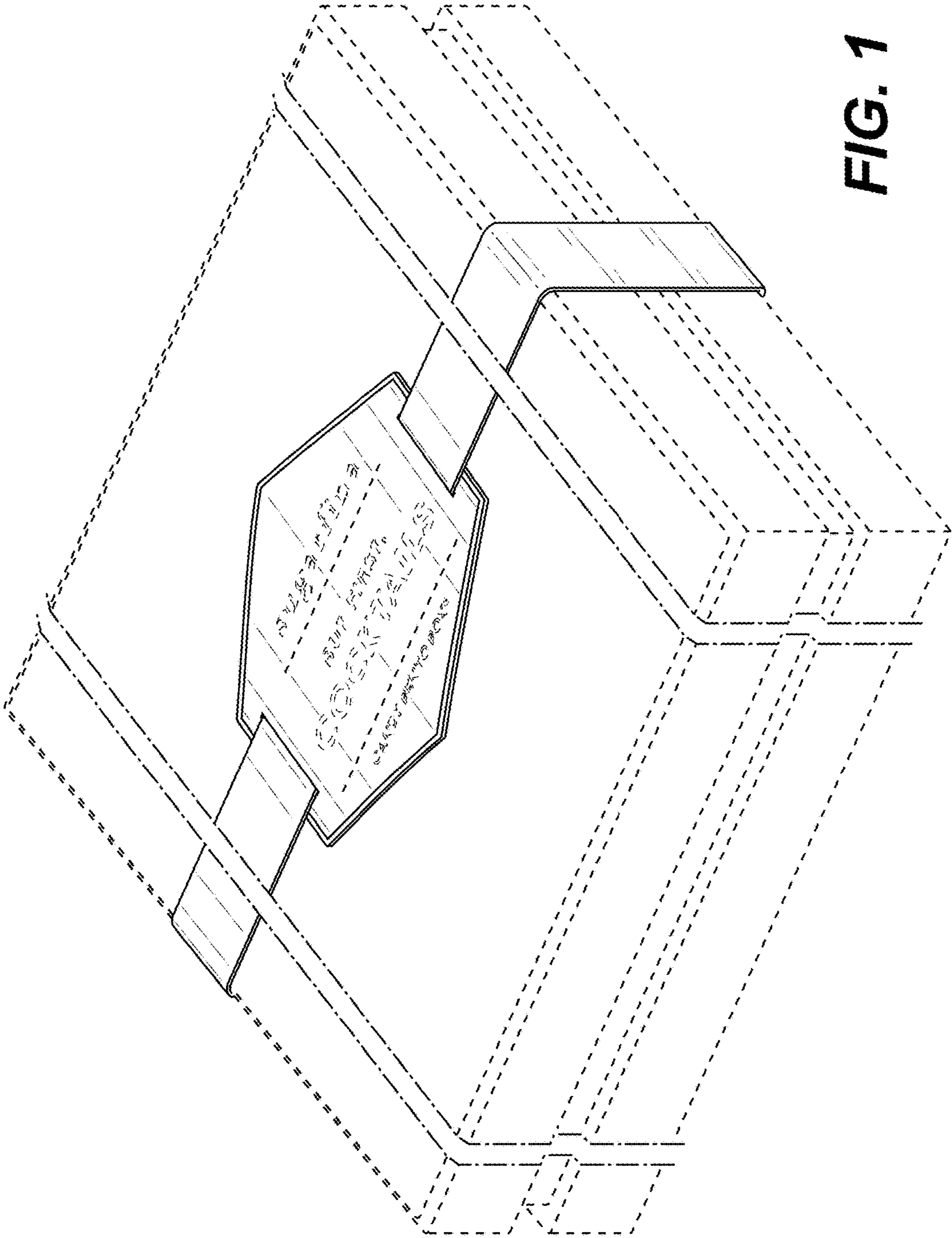


FIG. 1

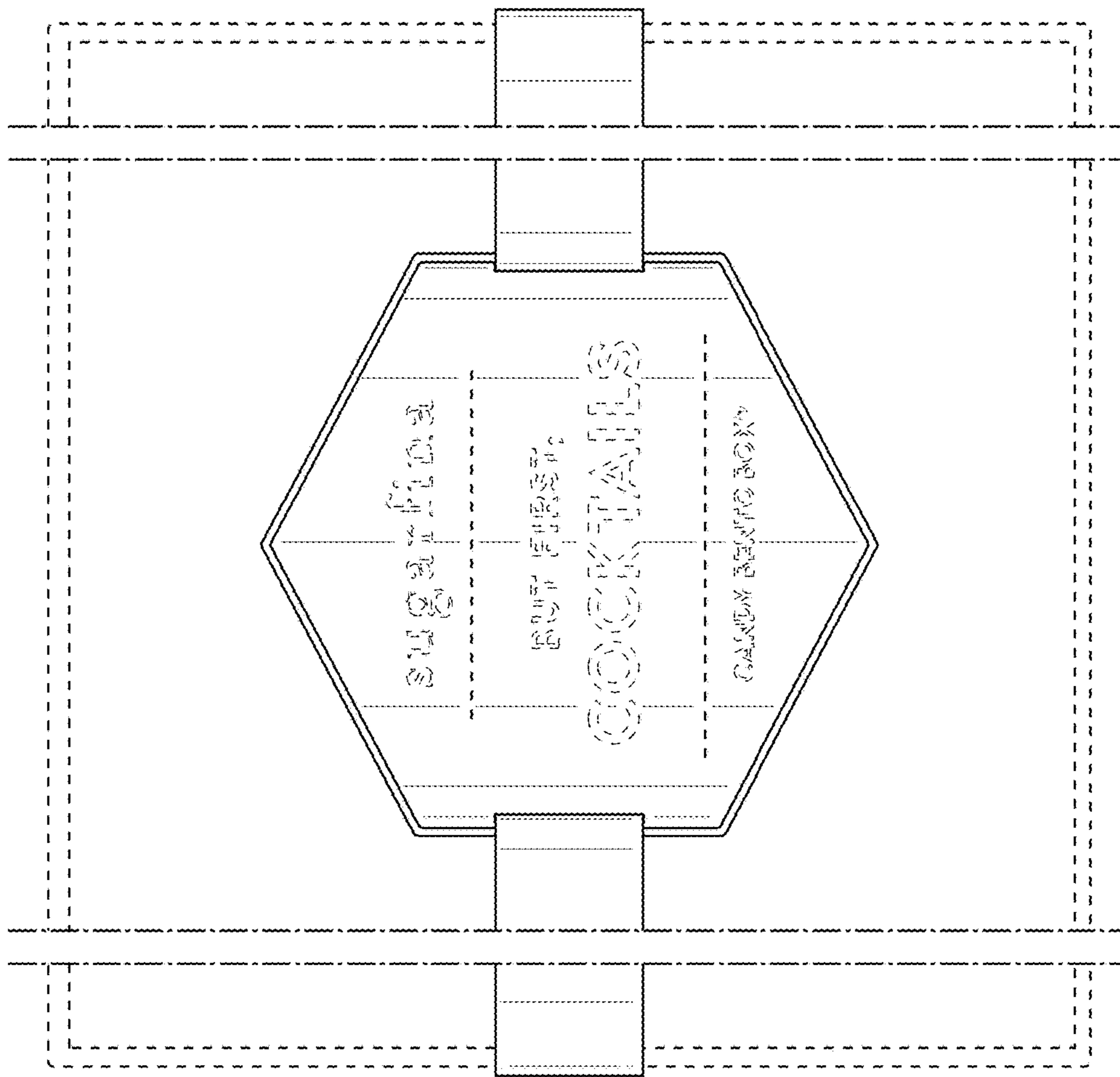


FIG. 2

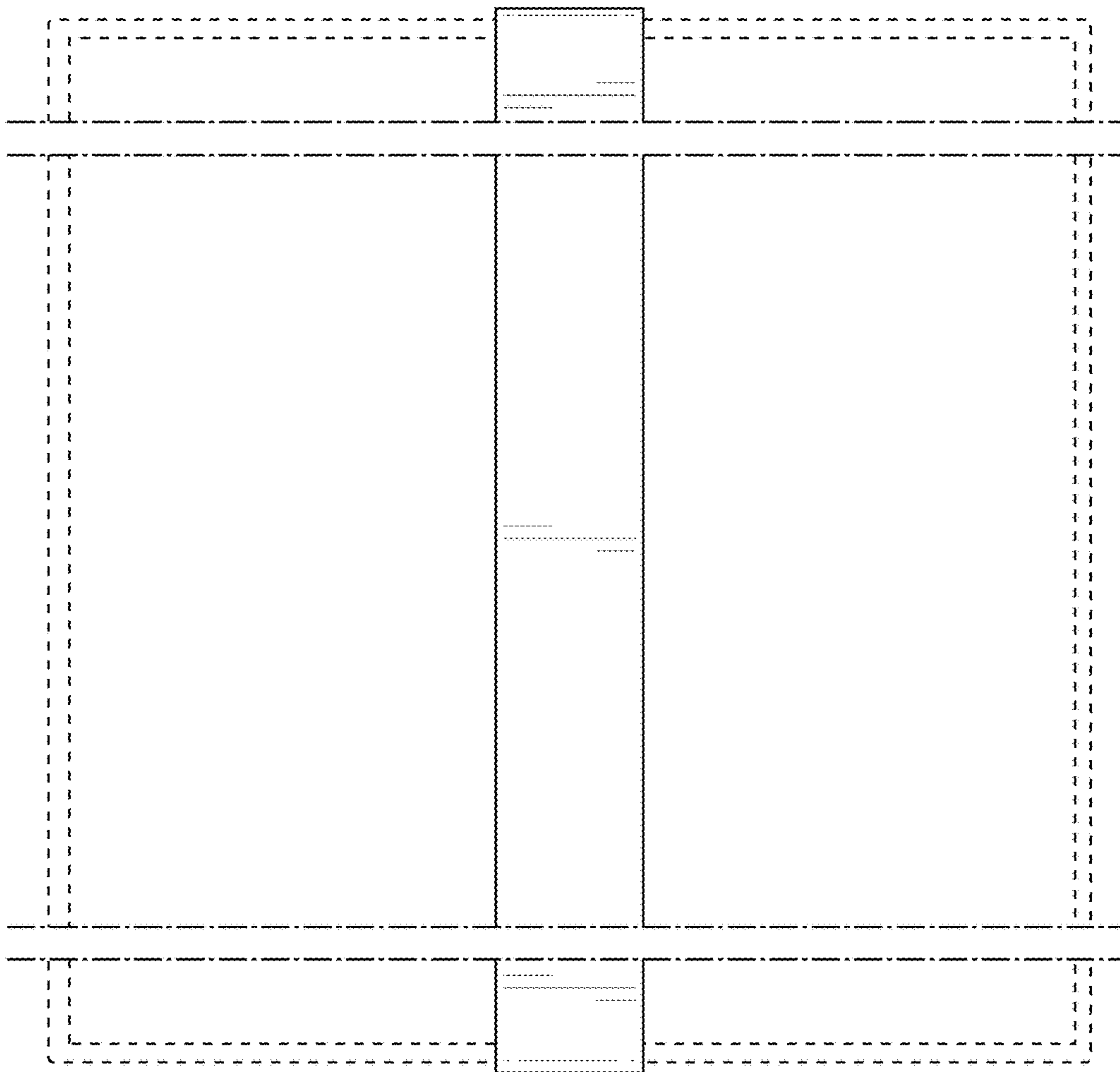


FIG. 3

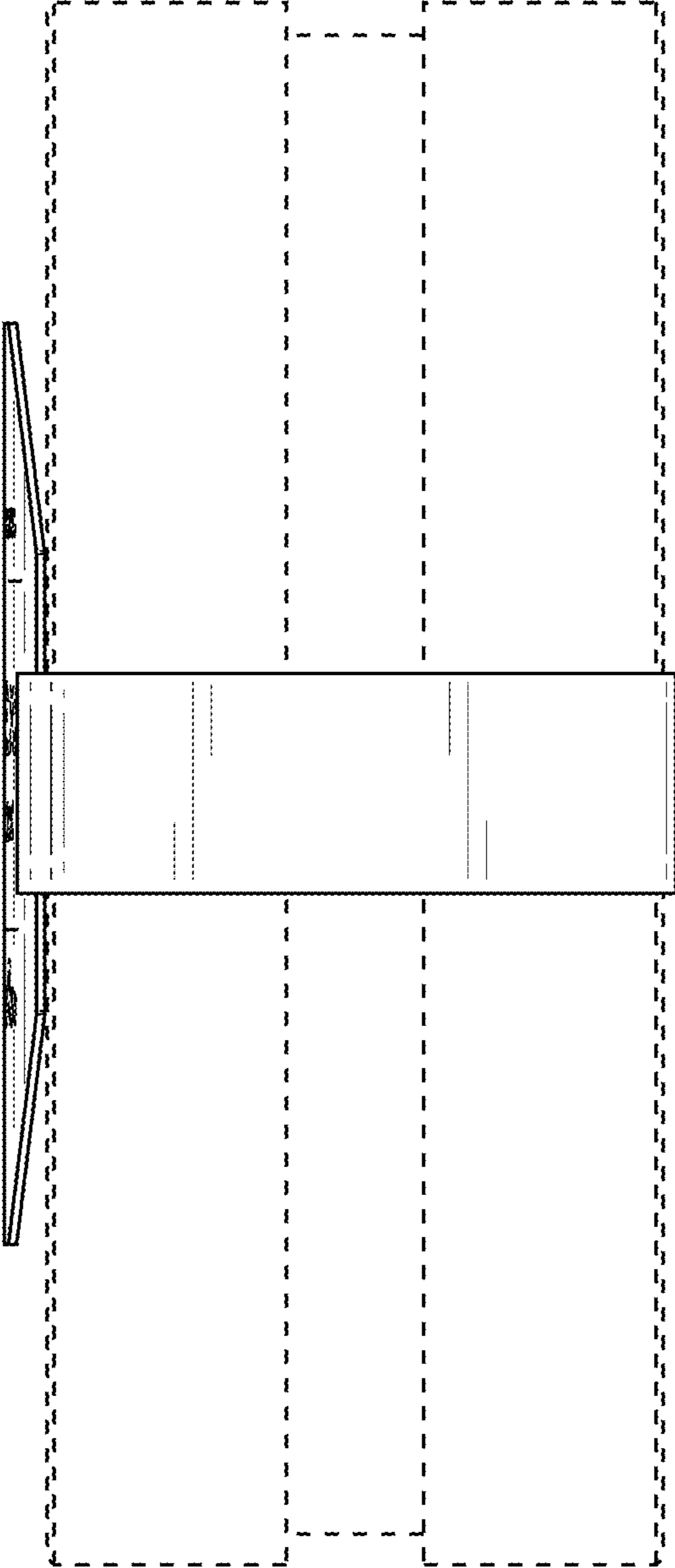


FIG. 4

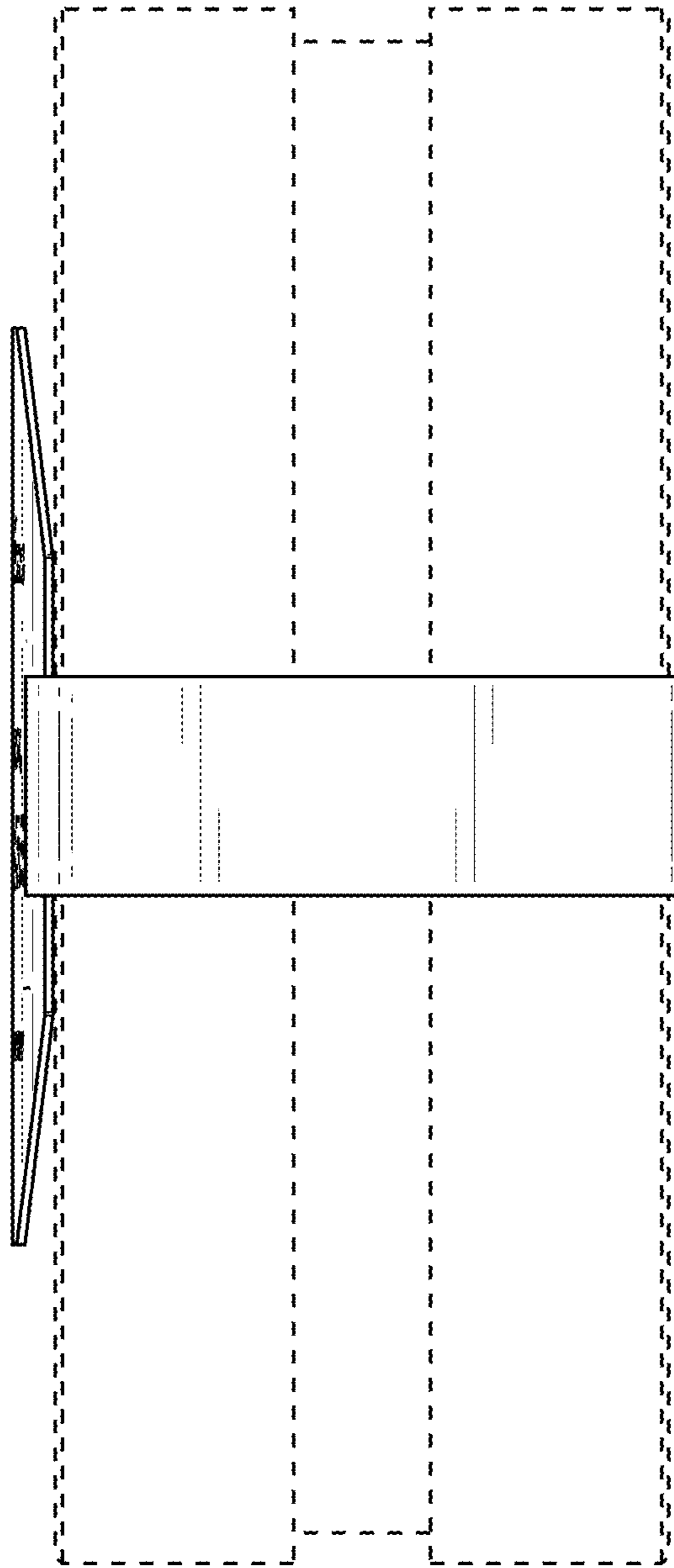


FIG. 5

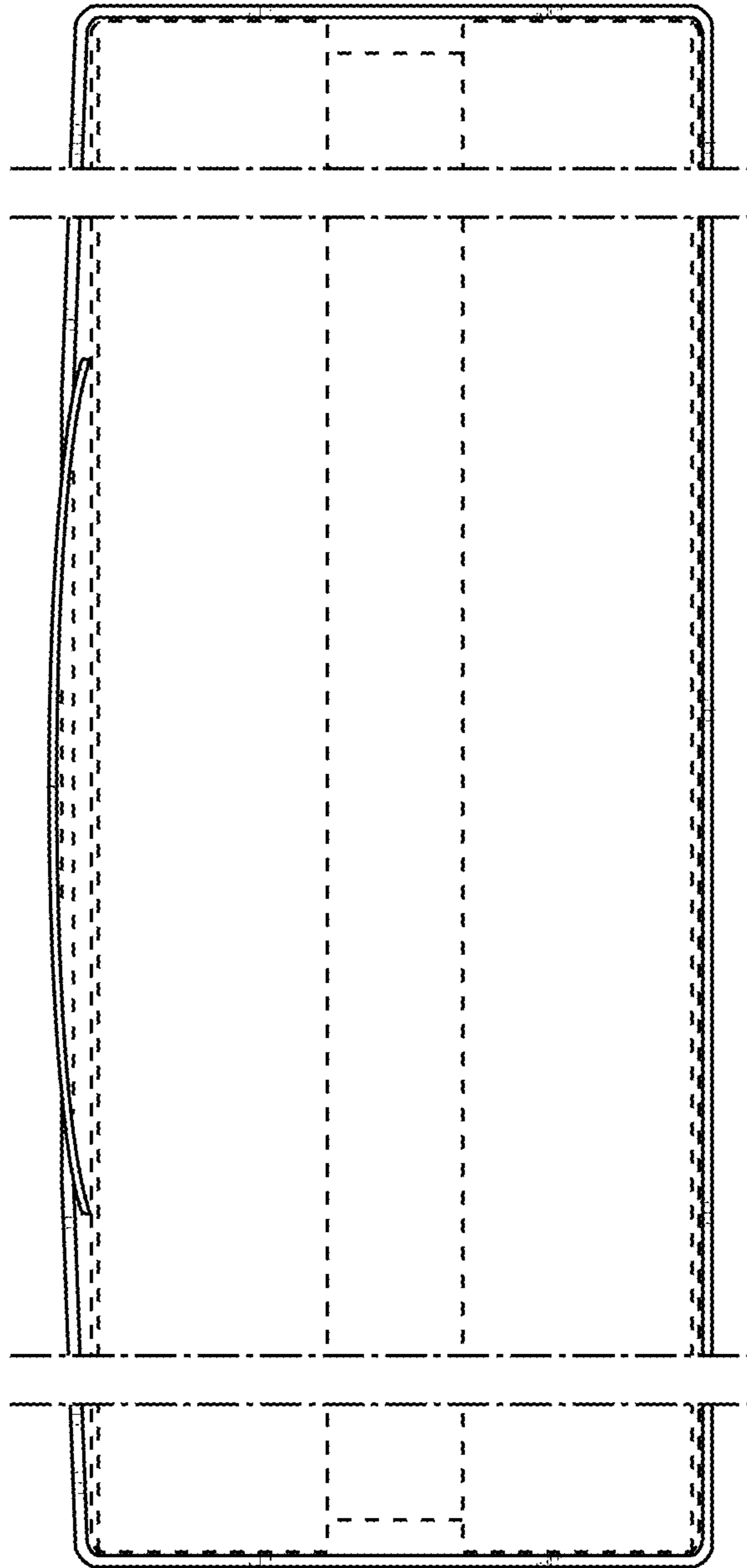


FIG. 6

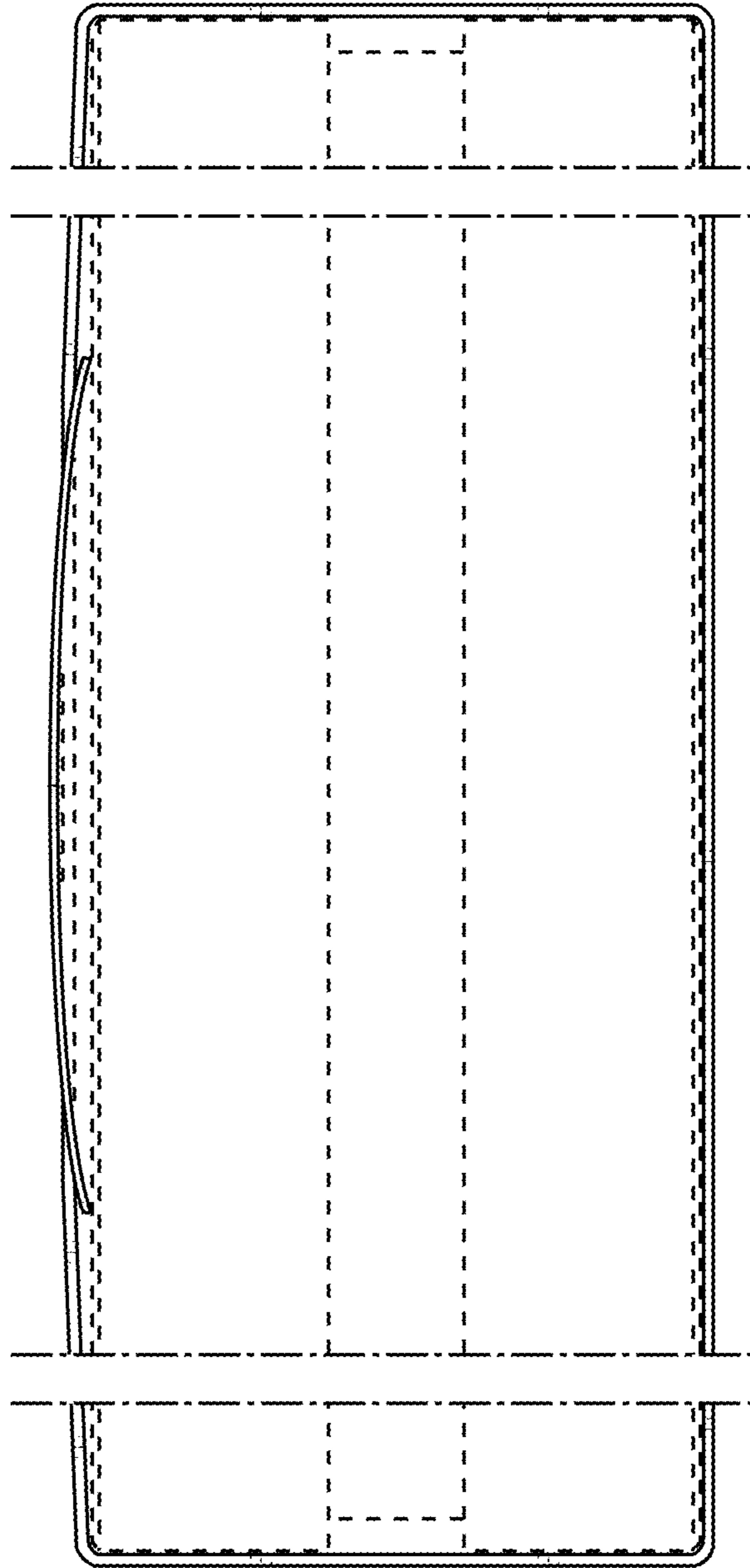


FIG. 7