

US00D823687S

(12) **United States Design Patent**
Kelly

(10) **Patent No.:** **US D823,687 S**

(45) **Date of Patent:** **** Jul. 24, 2018**

- (54) **CAP**
- (71) Applicant: **William Kelly**, Natick, MA (US)
- (72) Inventor: **William Kelly**, Natick, MA (US)
- (**) Term: **15 Years**
- (21) Appl. No.: **29/602,587**
- (22) Filed: **May 2, 2017**
- (51) **LOC (11) Cl.** **09-07**
- (52) **U.S. Cl.**
USPC **D9/451; D7/392.1**
- (58) **Field of Classification Search**
USPC D7/514-517, 519-520, 539, 604, 613,
D7/619.2, 623, 628, 392.1; D9/600-601,
D9/614-619, 632, 434, 436, 441,
D9/444-454; 206/494, 457, 459.1, 459.2;
220/890; 215/206, 260, 387-400;
D2/882, 869-874, 885-888;
D11/158-160; D21/631, 635; D8/882
CPC B65D 67/00; B65D 81/36; B65D 81/365;
B65D 81/366; B65D 81/368; B65D
41/00; B65D 41/02; B65D 51/245; A63H
33/16
See application file for complete search history.

(56) **References Cited**

U.S. PATENT DOCUMENTS

D318,223 S *	7/1991	Allen	D9/632
D327,816 S *	7/1992	Paullin	D7/510
D330,856 S *	11/1992	Kidd	D9/451
D349,216 S	8/1994	Steinfels, III		
D352,211 S	11/1994	Rucks		
D370,836 S	6/1996	Van Blankenburg		
D371,224 S *	6/1996	Carlson	D29/102
D376,682 S *	12/1996	Johnson	D2/882
D378,732 S *	4/1997	Lawson	D2/865
D399,108 S *	10/1998	Koefeldt	D2/869
D418,279 S *	1/2000	Day	D2/882

D419,880 S *	2/2000	Adams	D9/451
D432,375 S *	10/2000	Rennick	D8/38
D444,618 S *	7/2001	Wilson	D2/882
6,349,846 B1	2/2002	Meza		
D474,938 S *	5/2003	Malik	D7/392.1
6,814,252 B2	11/2004	Murakami		
D519,801 S *	5/2006	Lee	D8/38
D567,606 S *	4/2008	Romero	D8/38
D589,748 S *	4/2009	McDonald	D9/441
D599,625 S	9/2009	Lessells		
D653,948 S *	2/2012	Azar	D9/451
D698,598 S *	2/2014	Malik	D7/392.1
D711,690 S	8/2014	Sutton		
D720,566 S *	1/2015	Giraldez	D7/517
D730,187 S *	5/2015	Robinson	D9/451
2009/0057325 A1	3/2009	Tullio		
2010/0314401 A1	12/2010	Chucales		

FOREIGN PATENT DOCUMENTS

CA 2483869 A1 5/2006

* cited by examiner

Primary Examiner — Sandra L Morris

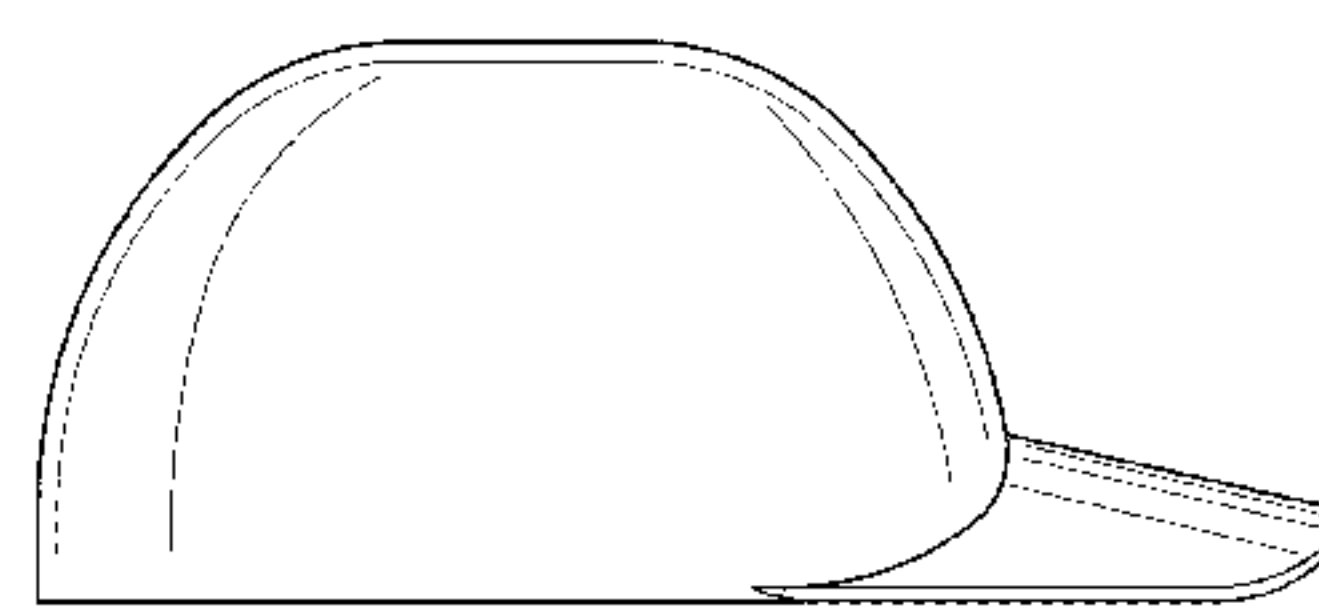
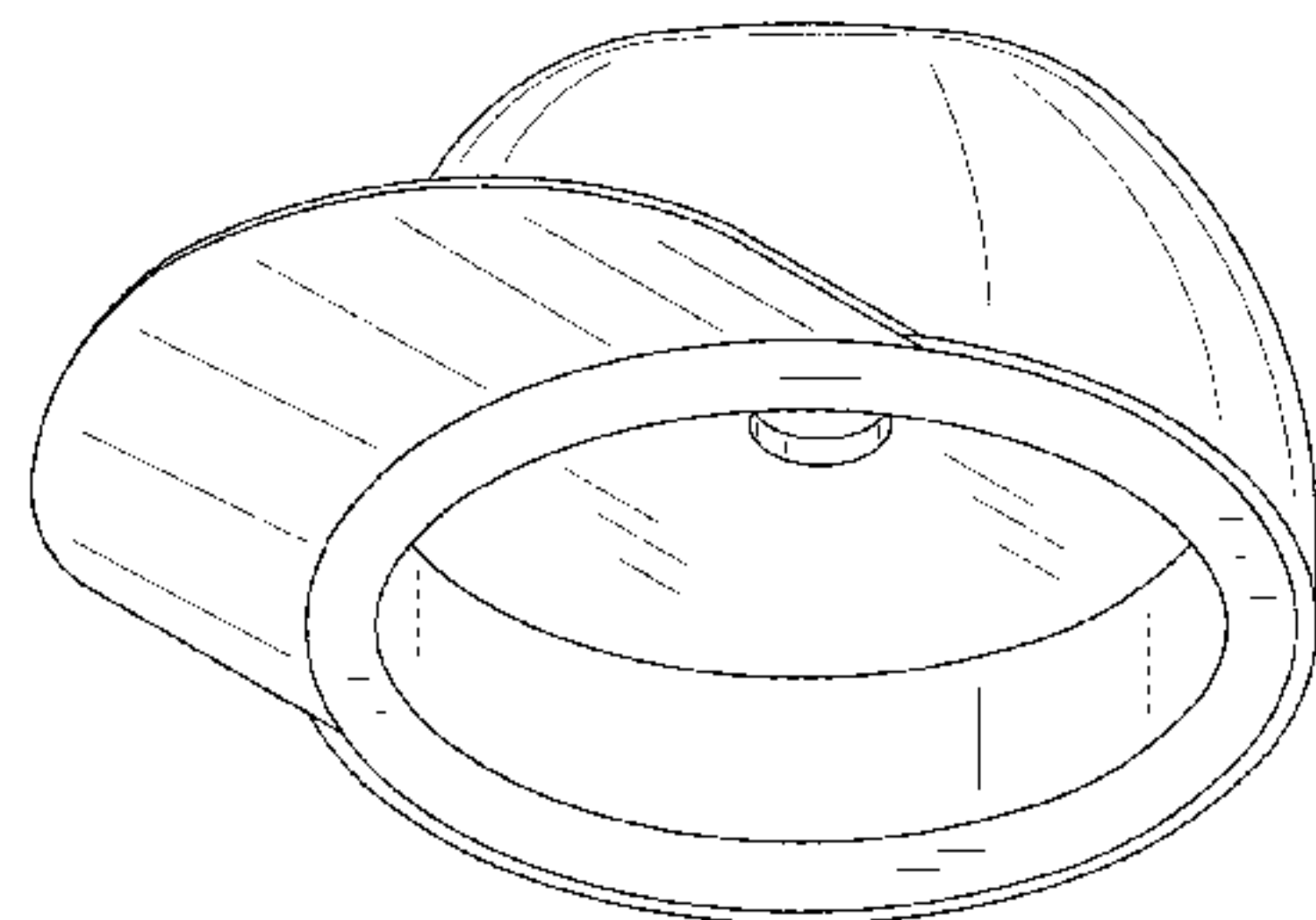
(57) **CLAIM**

I claim the ornamental design for a cap, as shown and described.

DESCRIPTION

FIG. 1 is a side view of the cap.
 FIG. 2 is a front view of the claimed design.
 FIG. 3 is a back view of the claimed design.
 FIG. 4 is a top view of the claimed design.
 FIG. 5 is a bottom view of the claimed design.
 FIG. 6 is a perspective view of the claimed design; and,
 FIG. 7 is a side view of the claimed design in use as suspended above a can.
 The broken line showing of the word "LOGO" in FIG. 2 and the can in FIG. 7 is environmental matter forming no part of the claimed design.

1 Claim, 4 Drawing Sheets



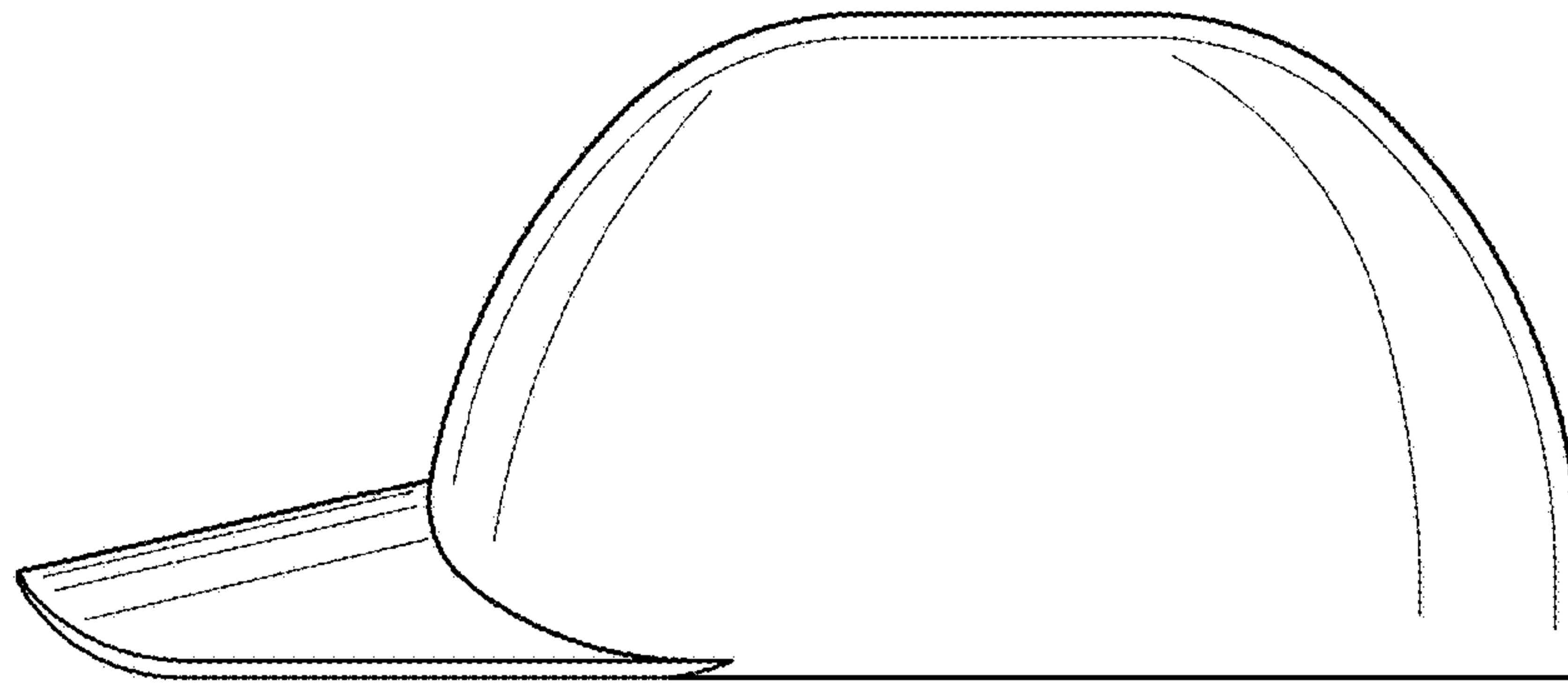


FIG. 1

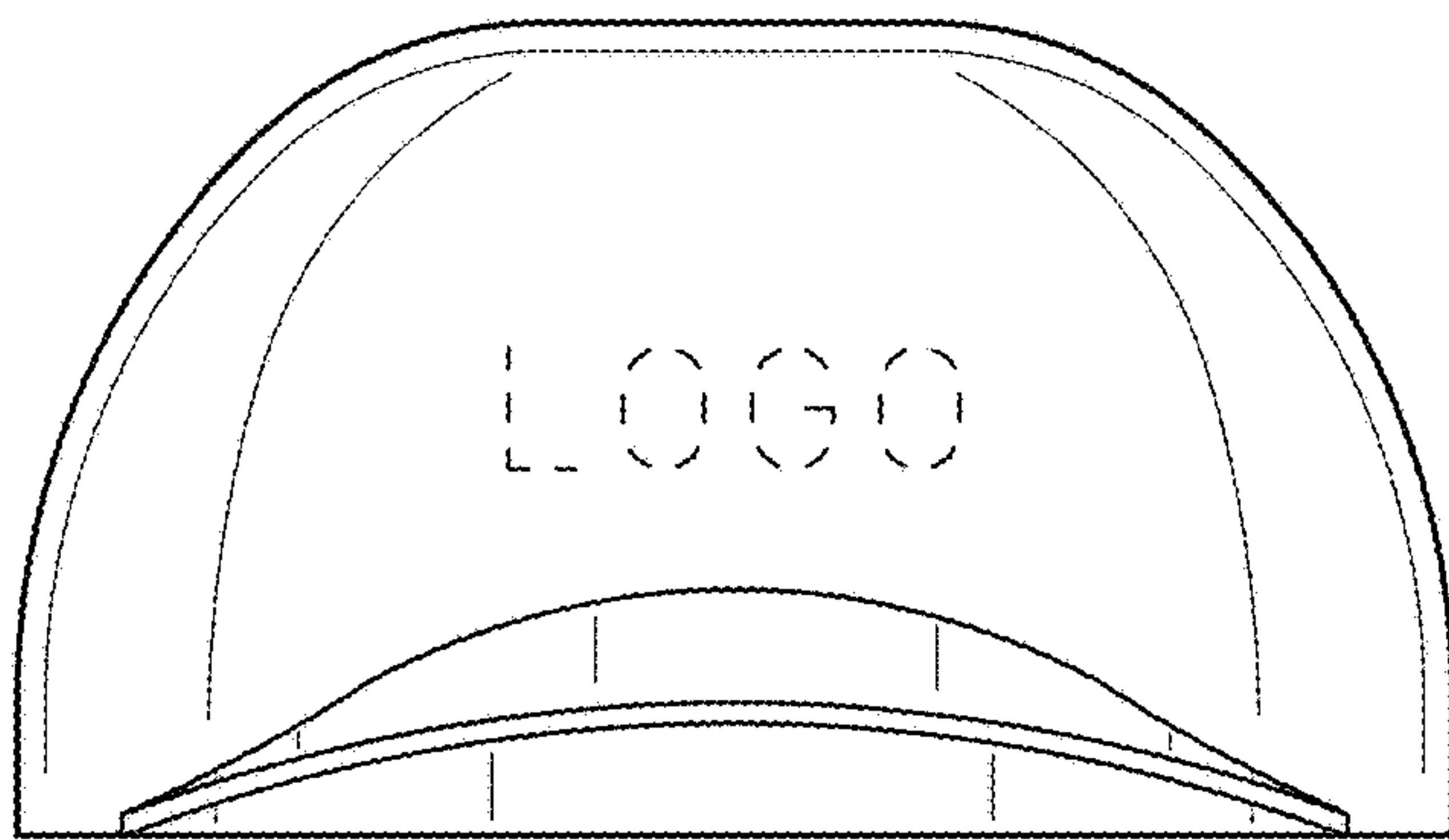


FIG. 2

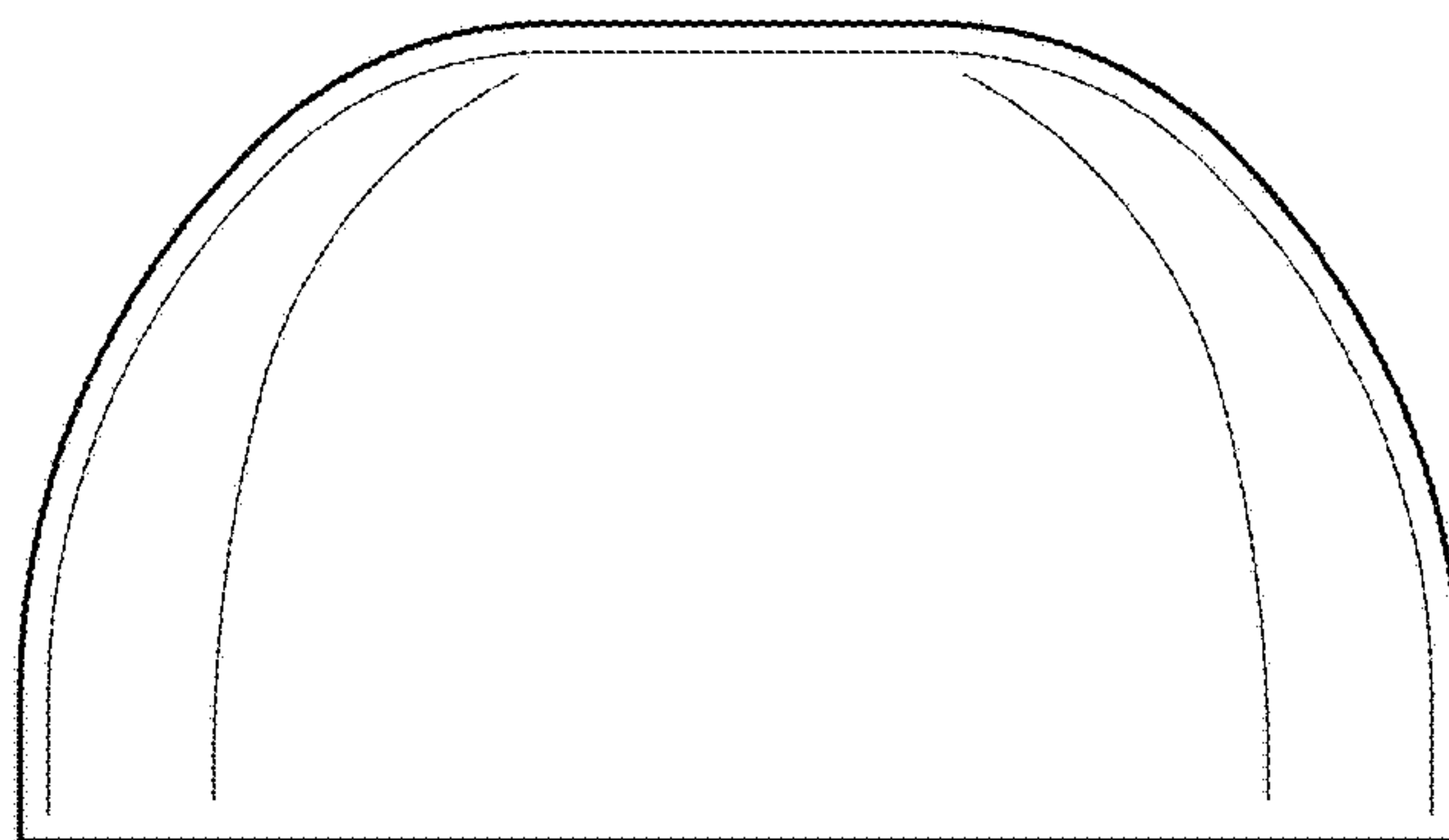


FIG. 3

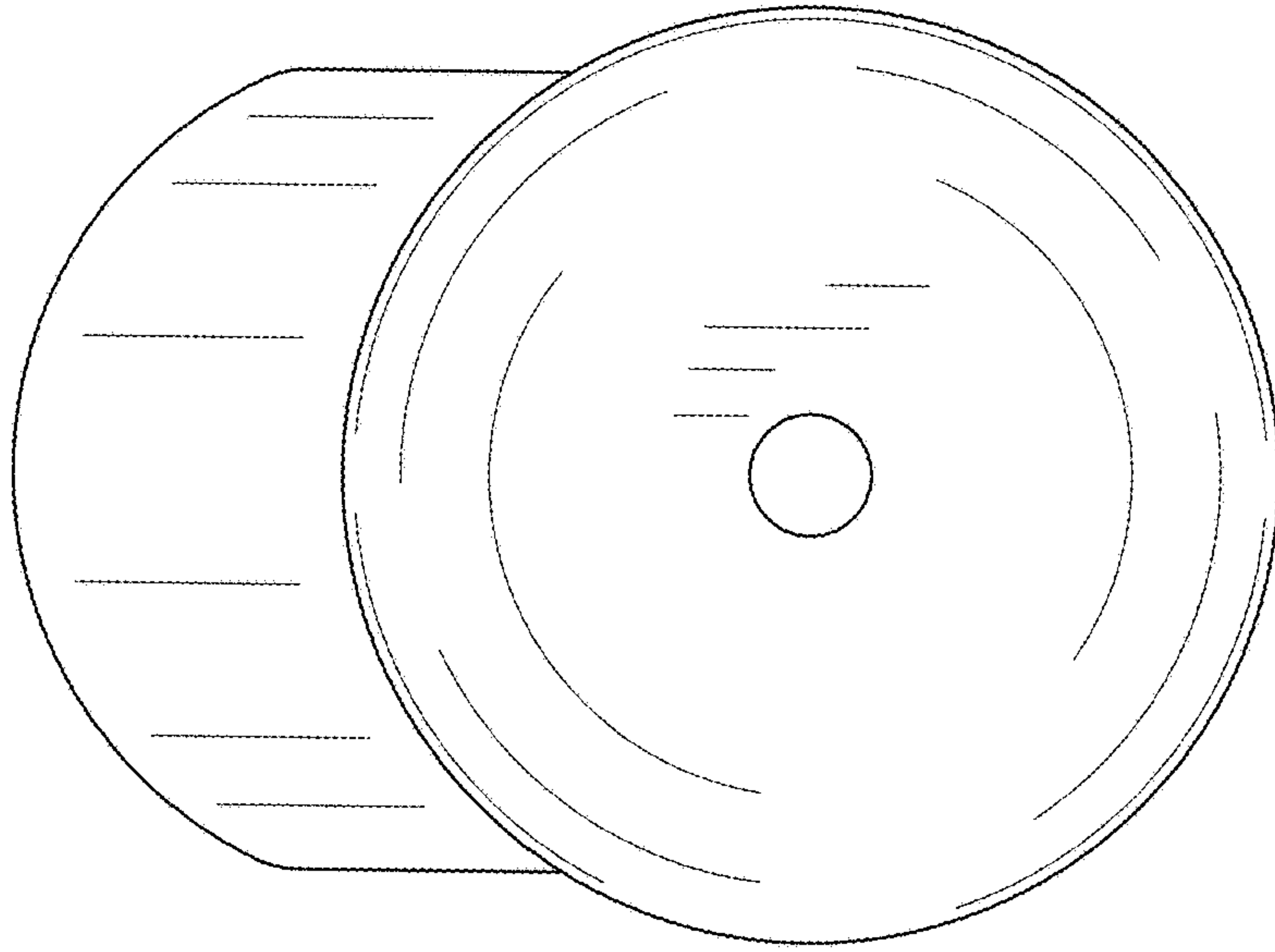


FIG. 4

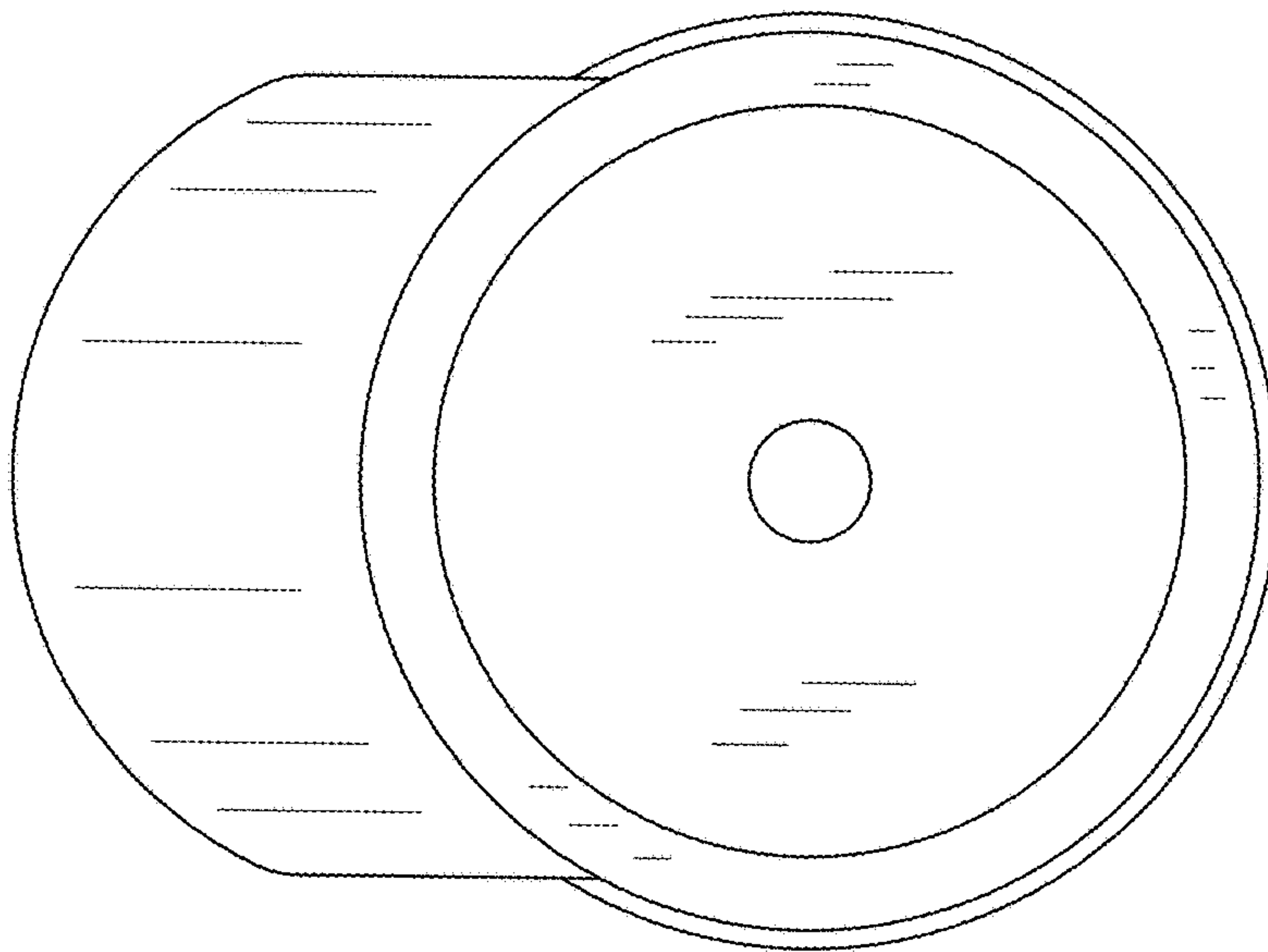


FIG. 5

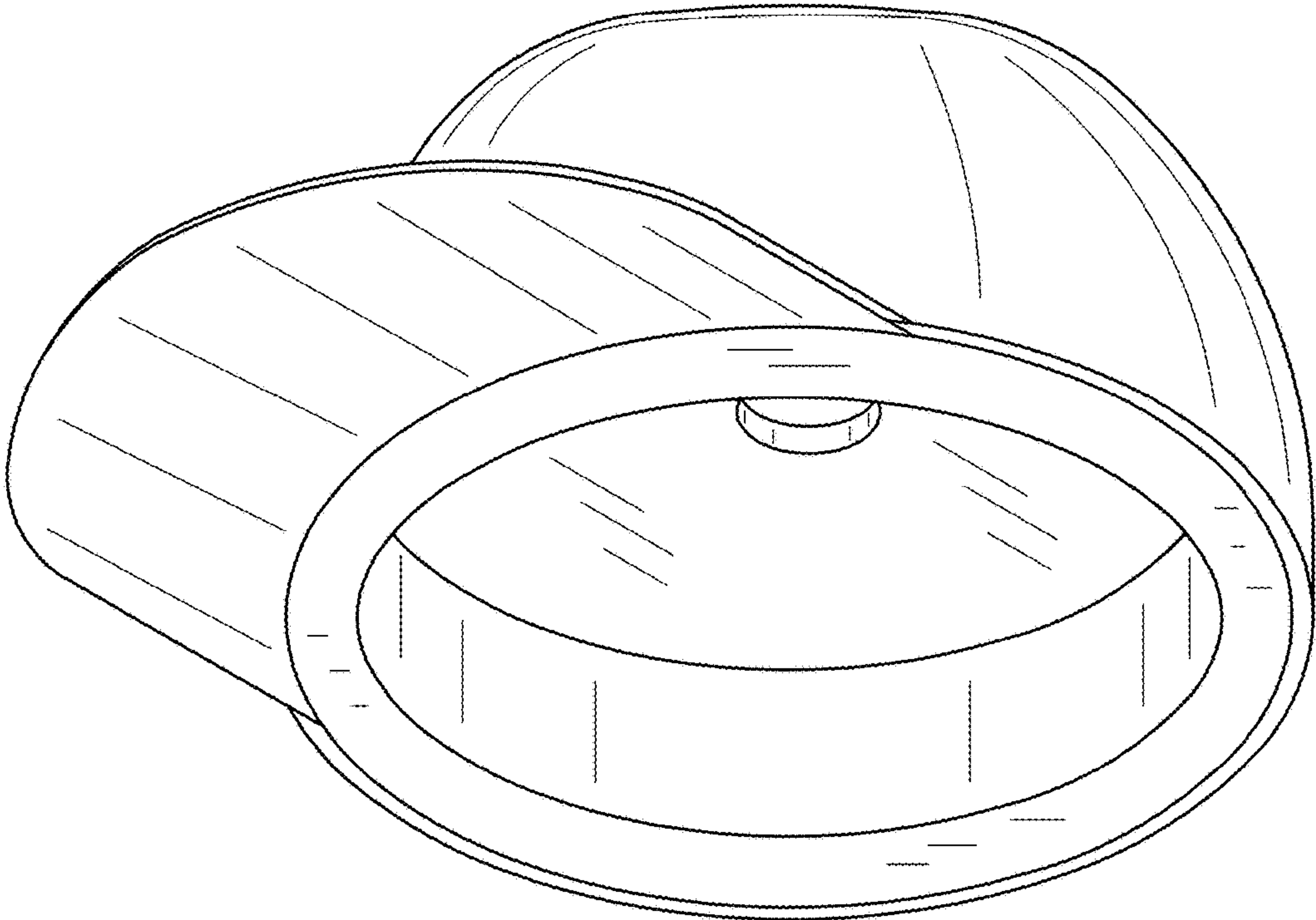


FIG. 6

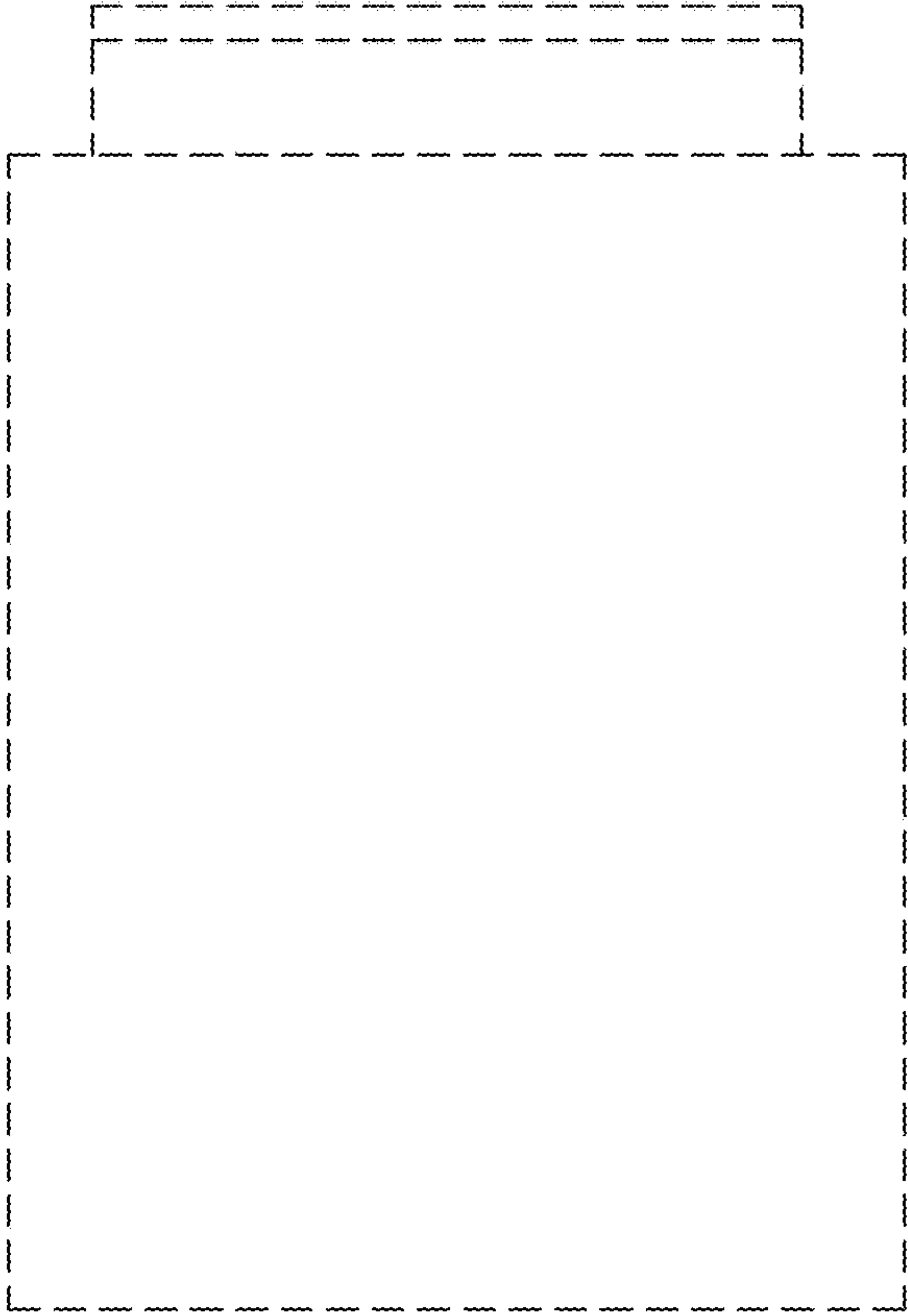
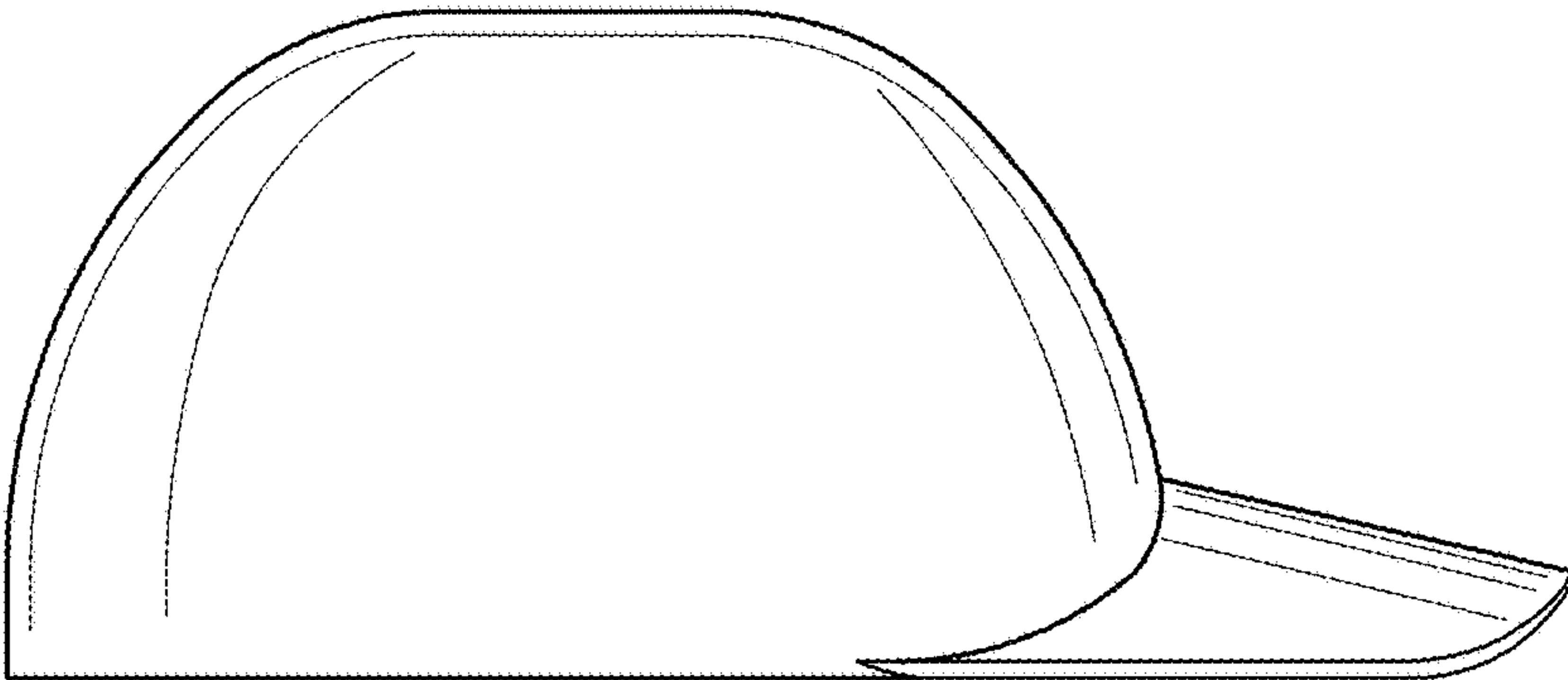


FIG. 7