



US00D823686S

(12) **United States Design Patent**
Beaudouin et al.

(10) **Patent No.:** **US D823,686 S**

(45) **Date of Patent:** **** *Jul. 24, 2018**

(54) **CLOSURE FOR A CONTAINER**

(71) Applicant: **Edgewell Personal Care Brands, LLC**, Chesterfield, MO (US)

(72) Inventors: **Ashley Beaudouin**, Allendale, NJ (US);
Stephen Morfit, Allendale, NJ (US)

(73) Assignee: **Edgewell Personal Care Brands, LLC.**, Chesterfield, MO (US)

(*) Notice: This patent is subject to a terminal disclaimer.

(**) Term: **14 Years**

(21) Appl. No.: **29/512,152**

(22) Filed: **Dec. 17, 2014**

(51) **LOC (11) Cl.** **09-07**

(52) **U.S. Cl.**
USPC **D9/449**

(58) **Field of Classification Search**
USPC D9/415, 434, 435, 440, 446-450, 452, D9/453, 454, 455-457, 499; D7/387, D7/388, 396.2, 396.4, 396.6, 398, 403, D7/509, 510, 511; D3/202, 203.2, 247, D3/294, 304, 318; D28/91.1; D8/343, D8/346, 352, 382, 397, 399
CPC .. A61J 1/00; A61J 1/1412; B65D 1/00; B65D 1/02; B65D 1/10; B65D 1/46; B65D 2585/56; B65D 41/00; B65D 41/56; B65D 41/62; B65D 47/06; B65D 47/08; B65D 2543/00046; B65D 2543/00092; B65D 2543/00296
See application file for complete search history.

(56) **References Cited**

U.S. PATENT DOCUMENTS

D317,869 S * 7/1991 Kipperman D9/435
D372,199 S * 7/1996 Lathrop D9/558

D376,320 S * 12/1996 Lathrop D9/558
6,039,224 A * 3/2000 Dallas, Jr. B65D 47/0809
222/480
D437,559 S * 2/2001 Fenton D9/558

(Continued)

Primary Examiner — Karen S Acker
Assistant Examiner — Wendy L Arminio

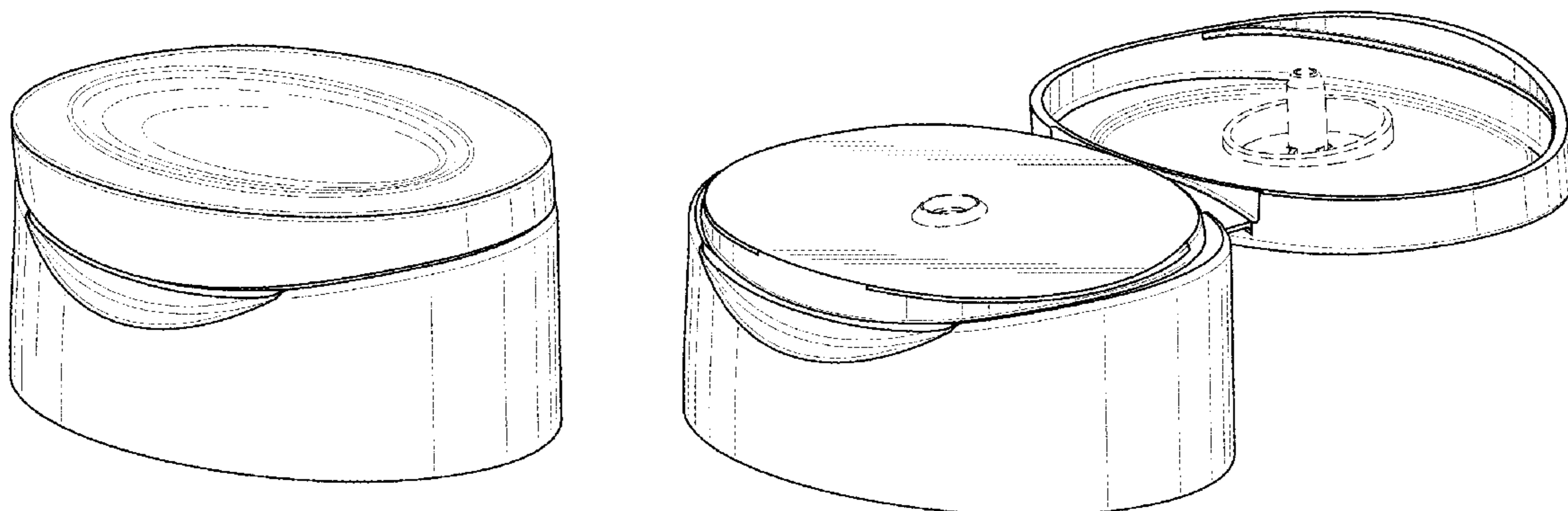
(57) **CLAIM**

We claim the ornamental design for a closure for a container, as shown and described.

DESCRIPTION

FIG. 1 is top, front and right perspective view of a closure for a container shown in a closed position.
FIG. 2 is a bottom, front and left perspective view thereof.
FIG. 3 is a front view thereof.
FIG. 4 is a rear view thereof.
FIG. 5 is a top view thereof.
FIG. 6 is a bottom view thereof.
FIG. 7 is a right side view thereof, the opposite side being a mirror image of FIG. 7.
FIG. 8 is a top, front and right perspective view of the closure for a container of FIG. 1 shown in an open position.
FIG. 9 is a front view of the closure for a container shown in FIG. 8.
FIG. 10 is a rear view of the closure for a container shown in FIG. 8.
FIG. 11 is a top view of the closure for a container shown in FIG. 8.
FIG. 12 is a bottom view of the closure for a container shown in FIG. 8; and,
FIG. 13 is a right side view of the closure for a container shown in FIG. 8.
In the bottom interior shown in FIGS. 6 and 12 the innermost solid lines form the boundaries to the claim. The broken lines in the figures depict portions of the closure for a container that form no part of the claimed design.

1 Claim, 8 Drawing Sheets



(56)

References Cited

U.S. PATENT DOCUMENTS

D450,593	S	*	11/2001	Jebb	D9/529
6,321,923	B1	*	11/2001	Wood	B65D 47/0809
						16/225
D463,280	S	*	9/2002	Brozell	D9/449
D504,611	S	*	5/2005	Bakic	D9/446
D520,873	S	*	5/2006	Lovell	D9/449
D528,005	S	*	9/2006	Bakic	D9/529
D584,159	S	*	1/2009	Domoy	D9/558
D588,913	S	*	3/2009	Bakic	D9/435
D594,747	S	*	6/2009	Moretti	D9/435
D605,510	S	*	12/2009	Weber	D9/449
D605,511	S	*	12/2009	Weber	D9/449
D605,512	S	*	12/2009	Weber	D9/449
D605,514	S	*	12/2009	Weber	D9/449
D608,196	S	*	1/2010	Beilke	D9/449
D608,639	S	*	1/2010	Jackel	D9/449
D625,189	S	*	10/2010	Dias	D9/449
D635,025	S	*	3/2011	Stolle	D9/435
D664,849	S	*	8/2012	Fracasso	D9/449
D665,261	S	*	8/2012	Mazurkiewicz	D9/449
D711,231	S	*	8/2014	Pun	D9/449
D760,082	S	*	6/2016	Baissero	D9/449

* cited by examiner

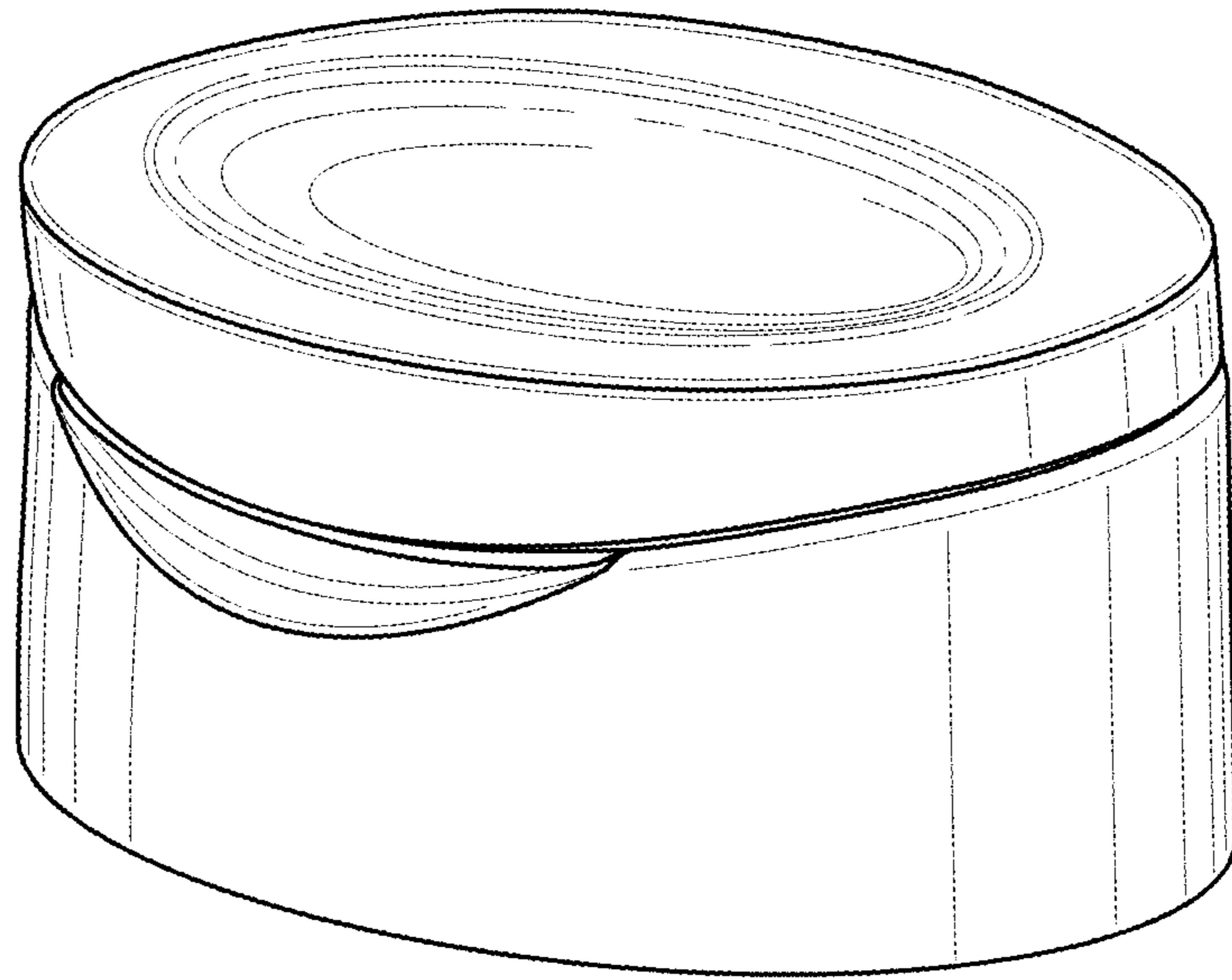


FIG. 1

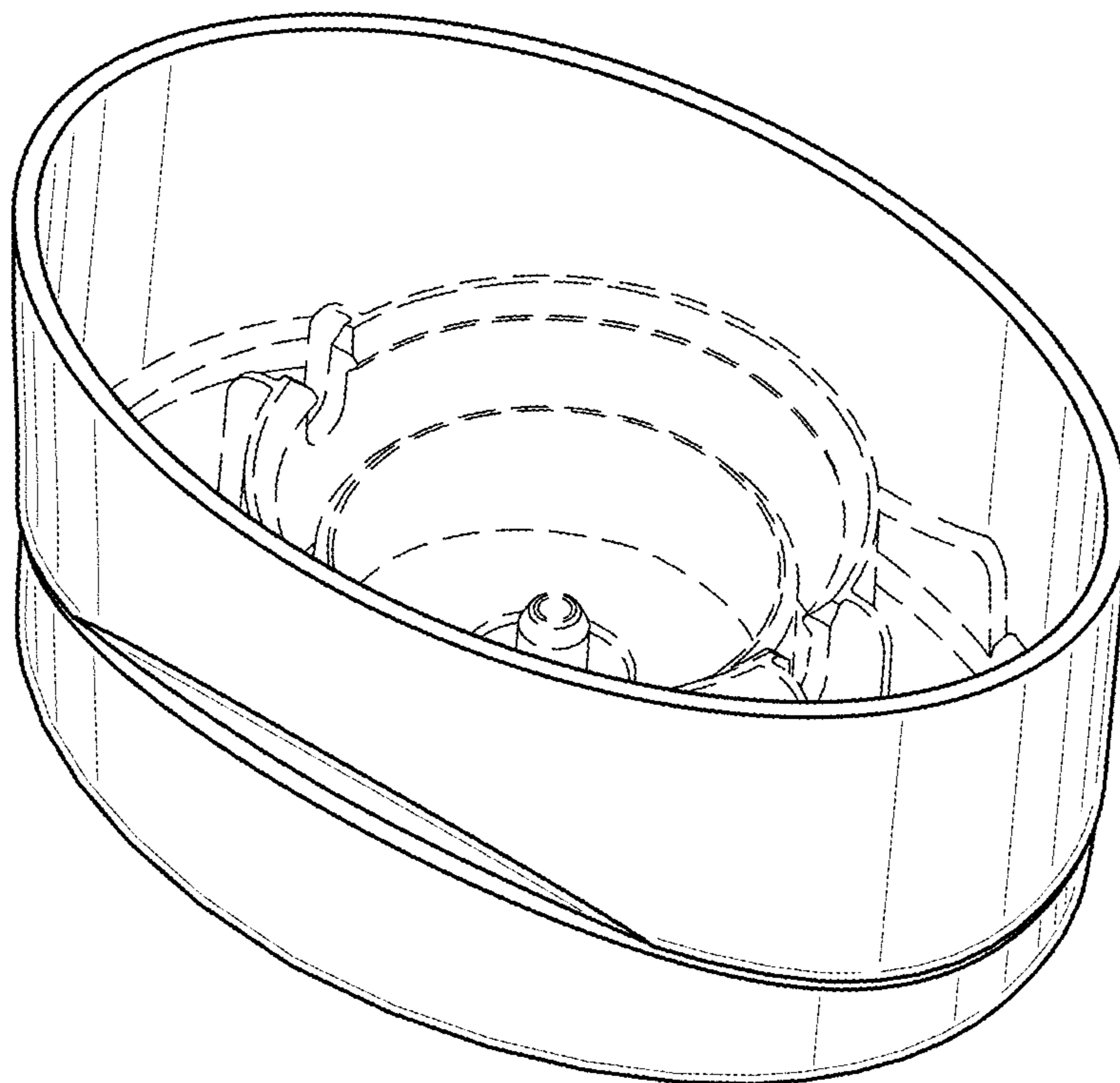


FIG. 2

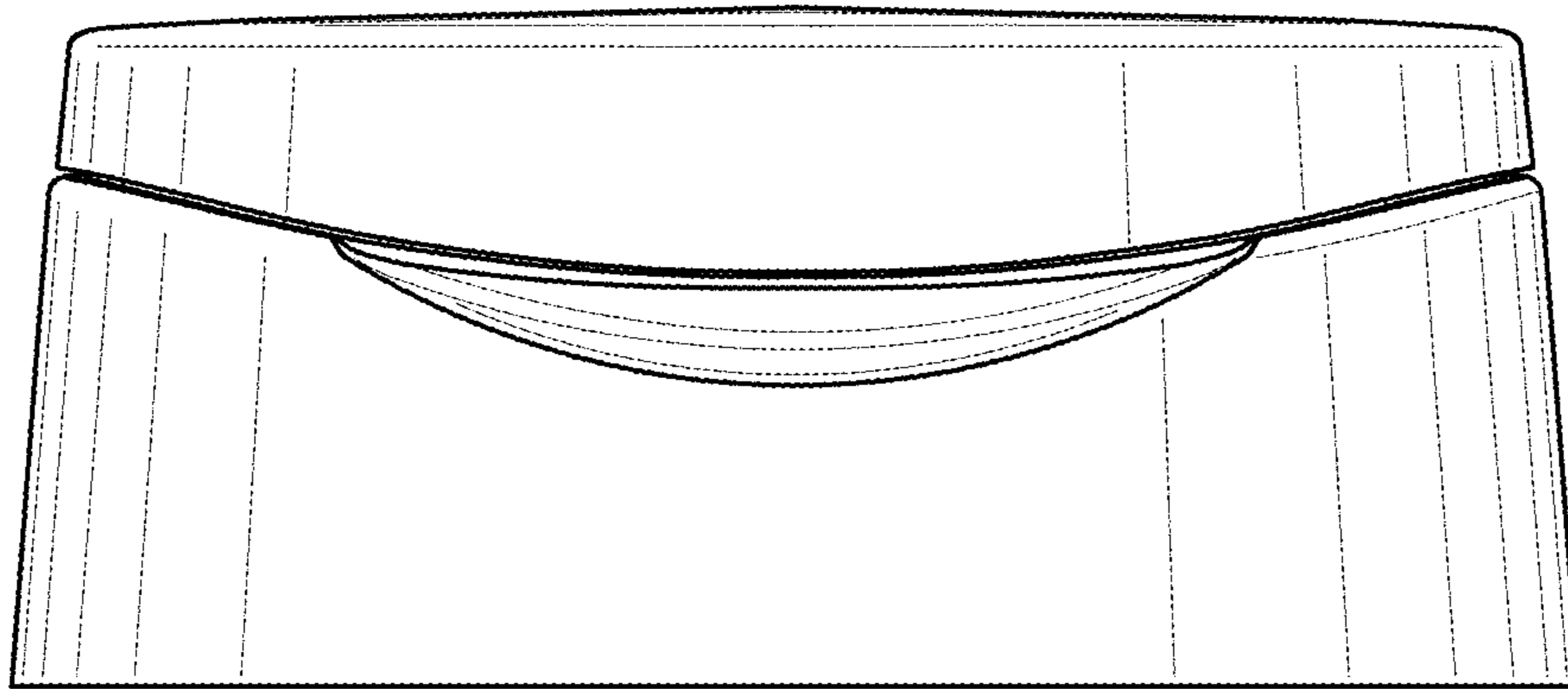


FIG. 3

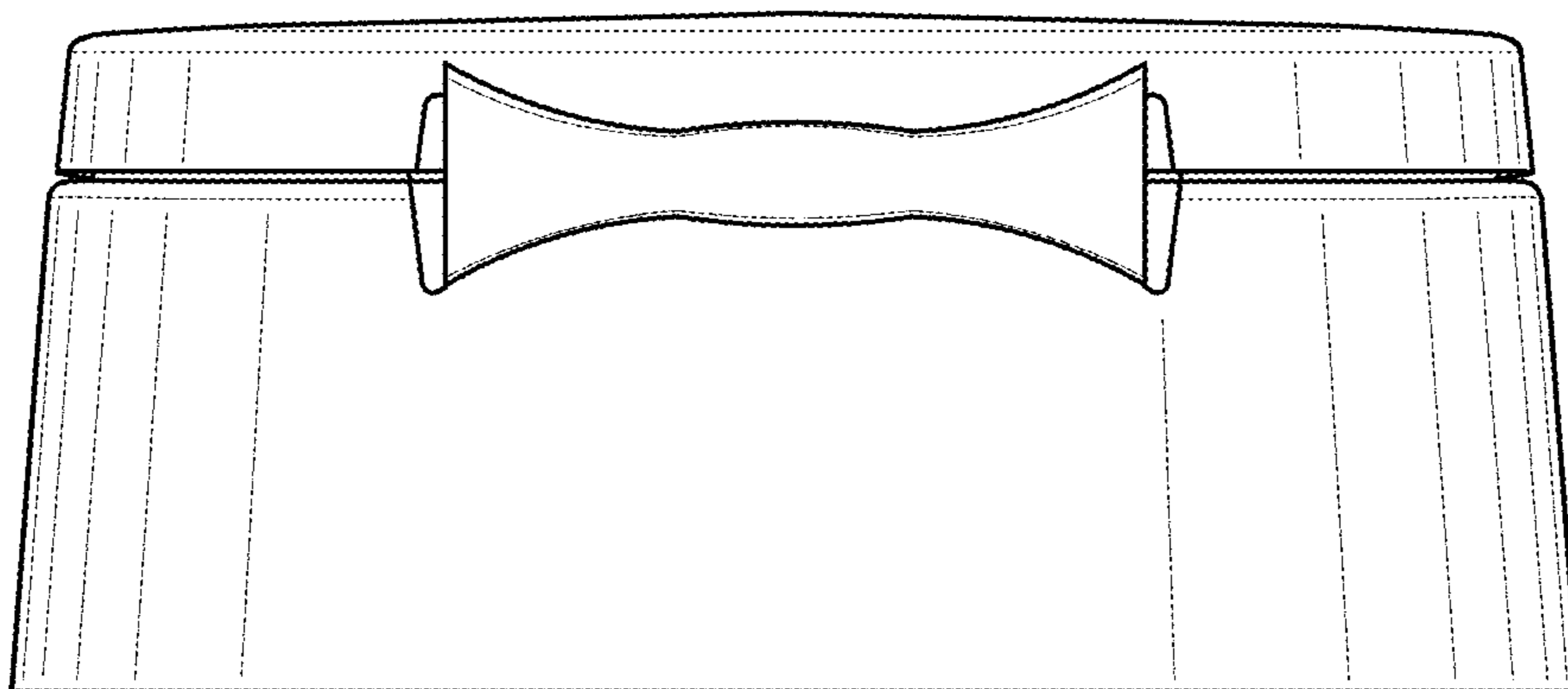


FIG. 4

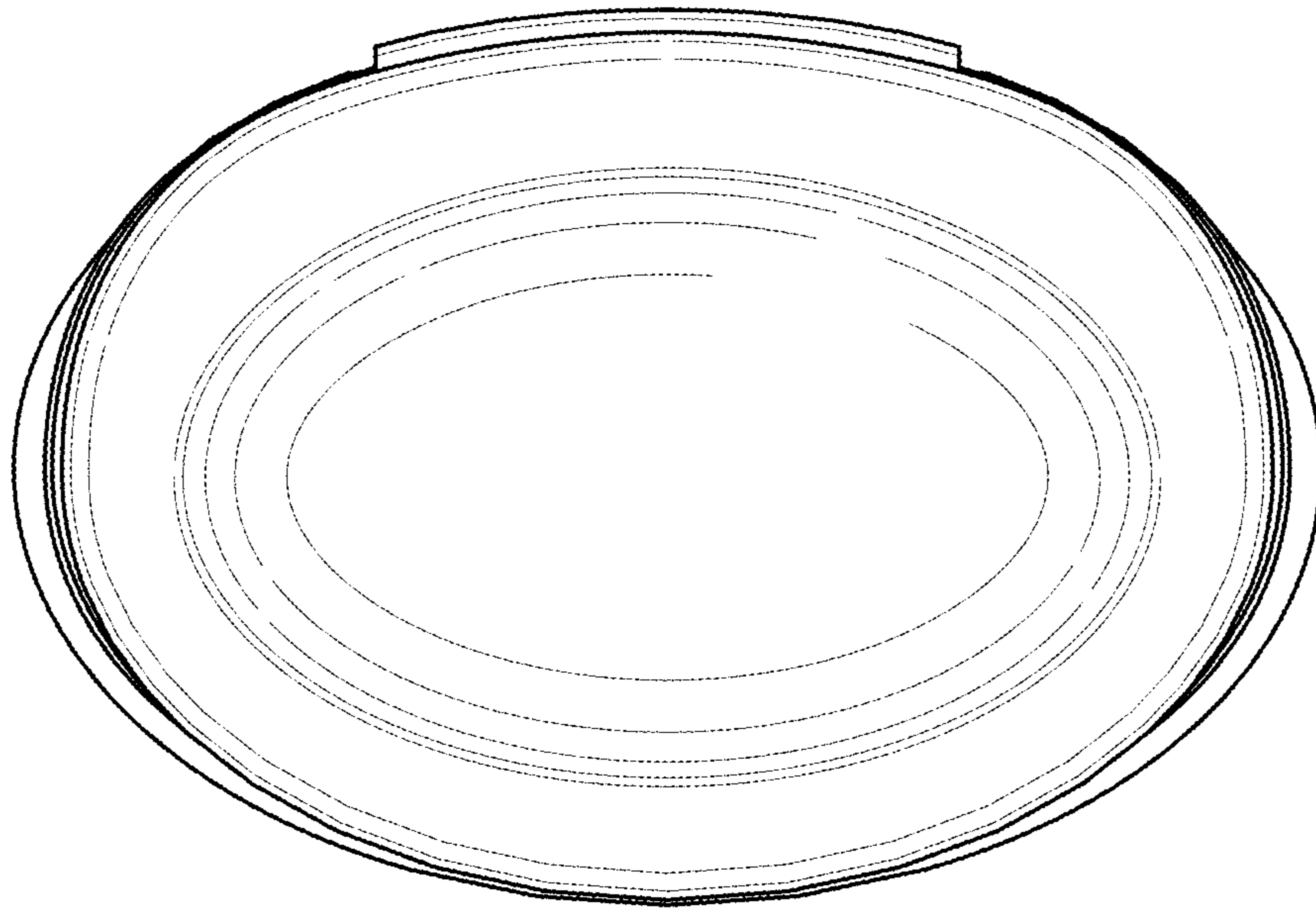


FIG. 5

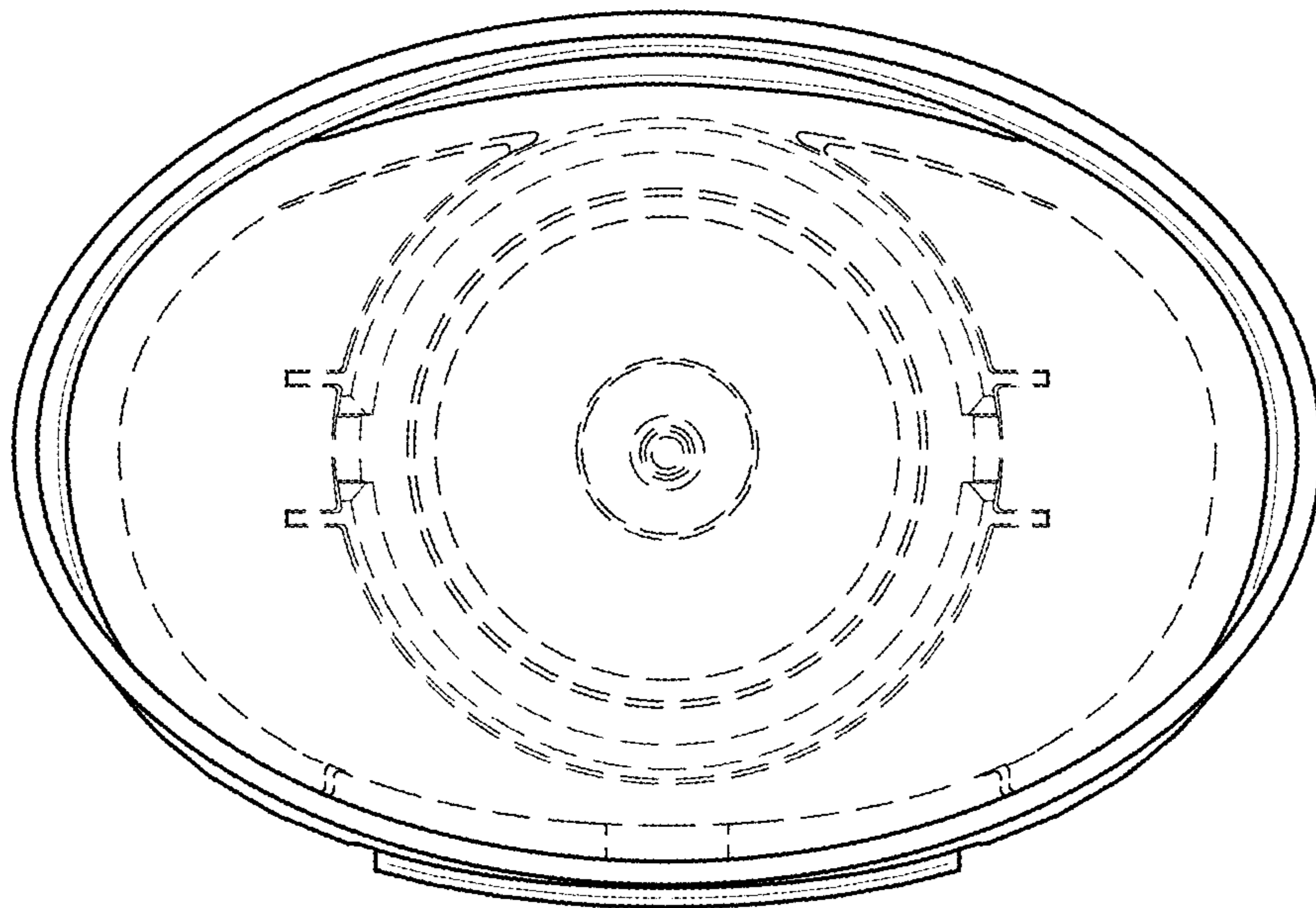


FIG. 6

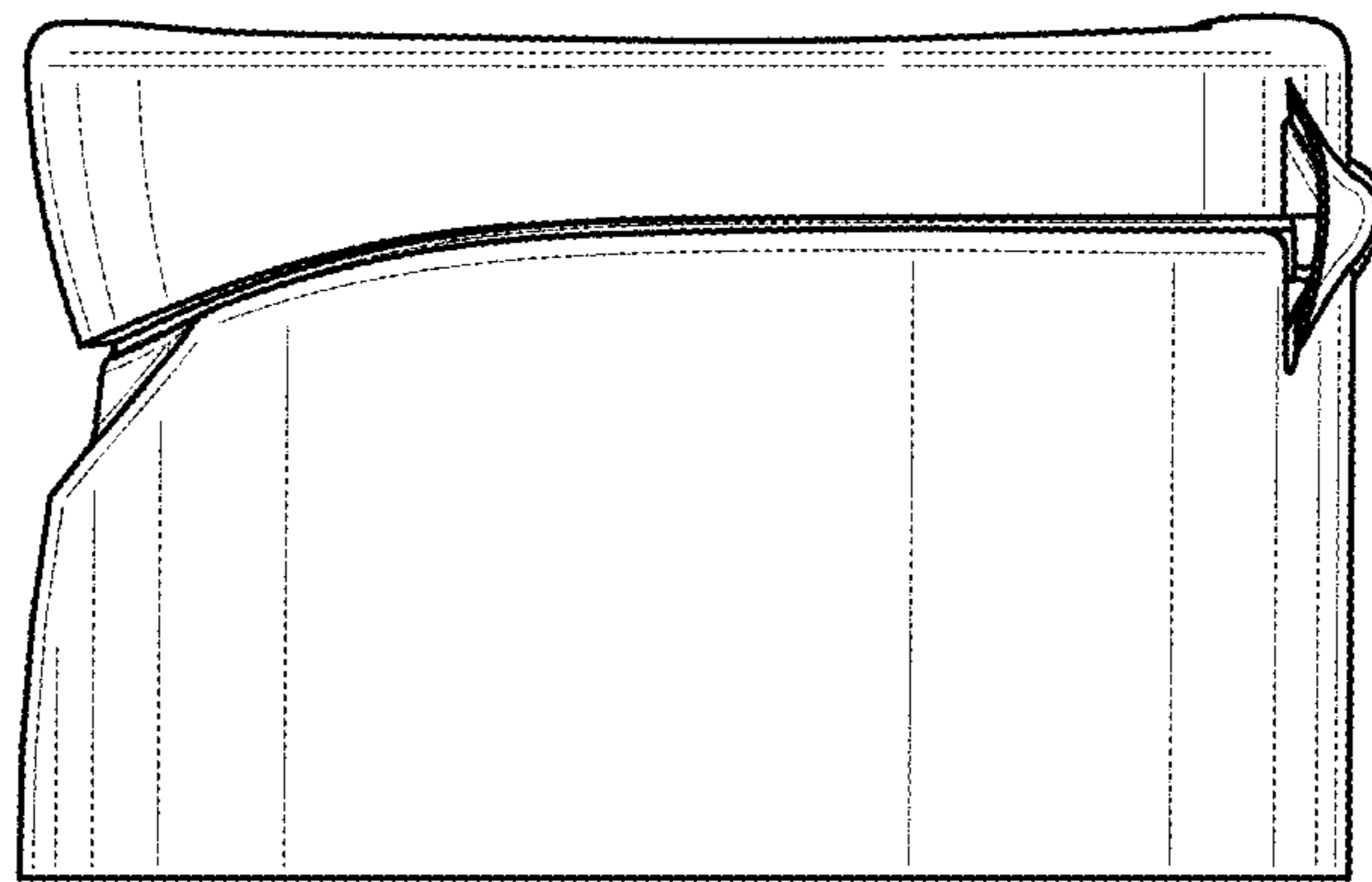


FIG. 7

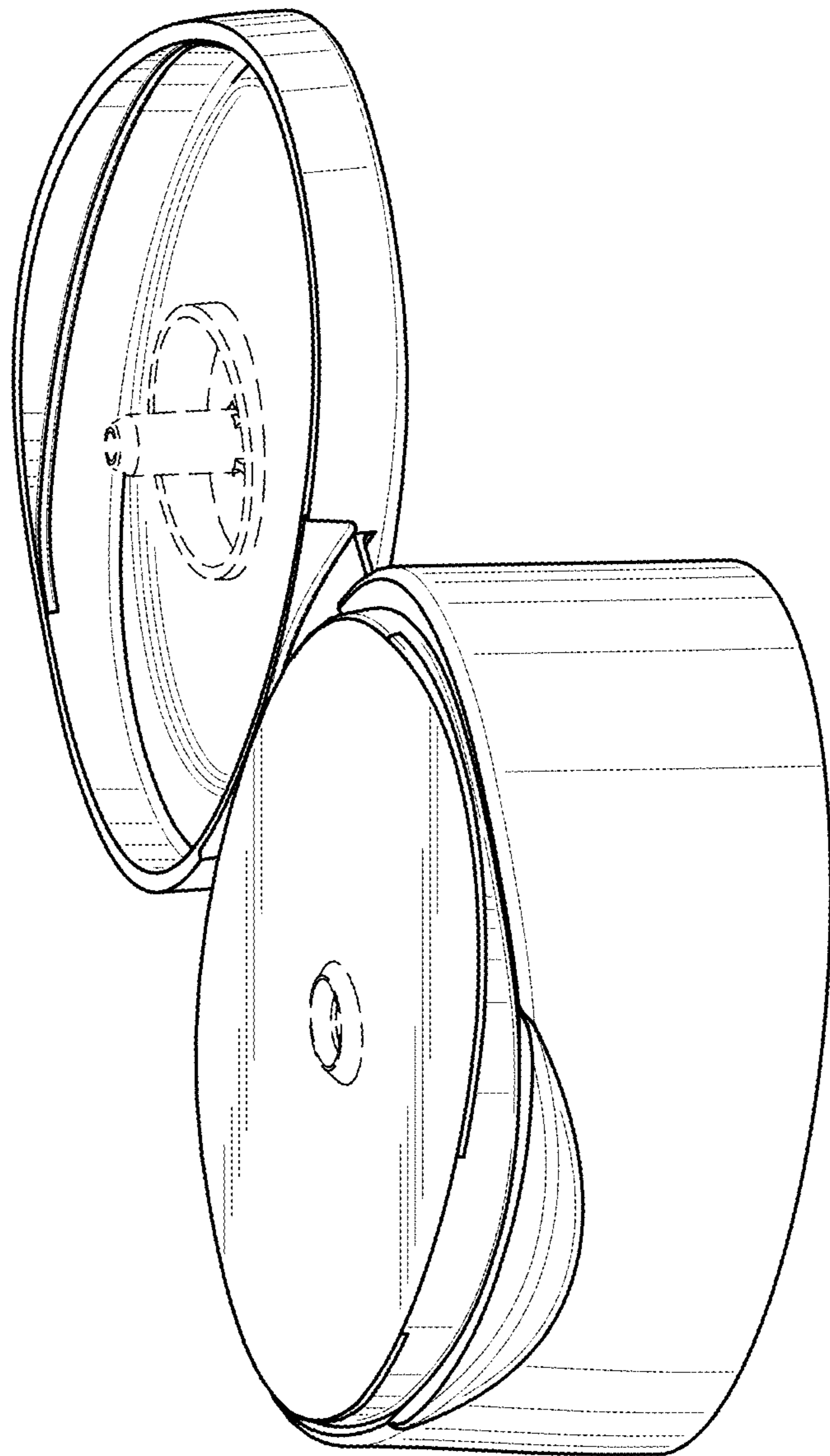


FIG. 8

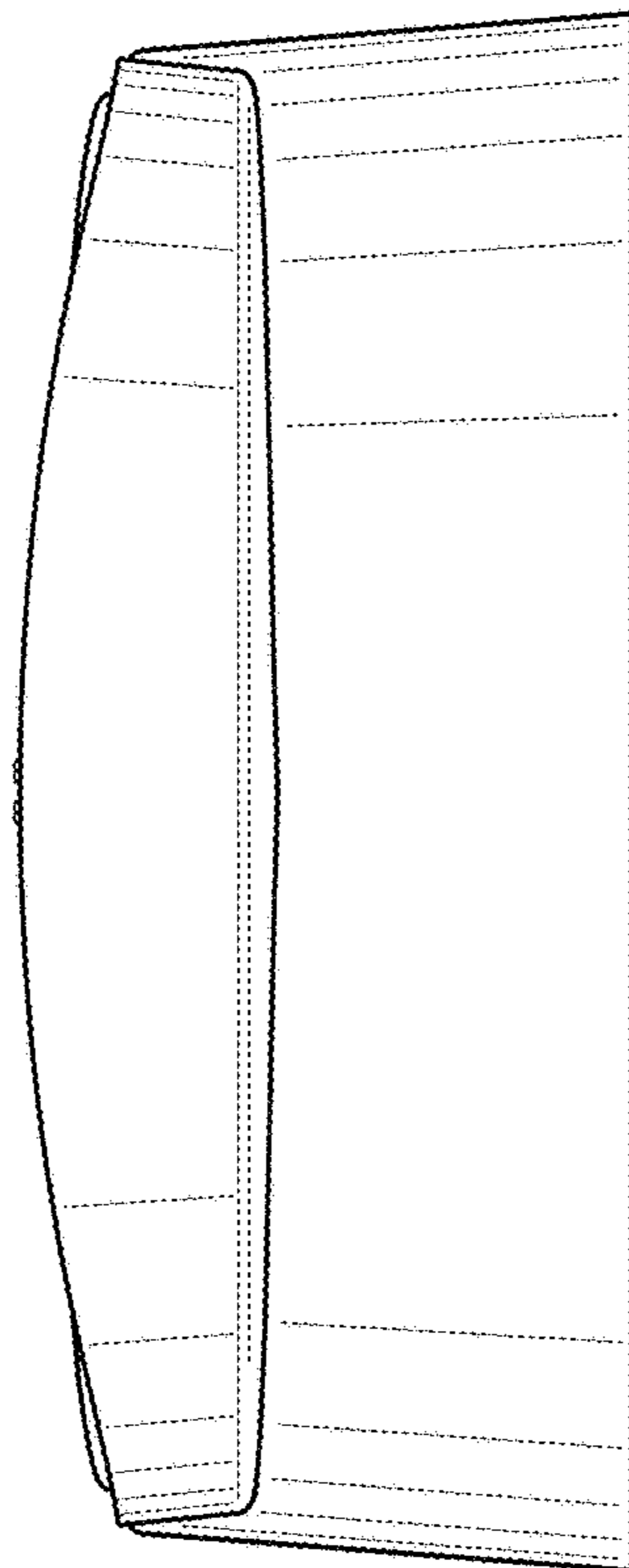


FIG. 10

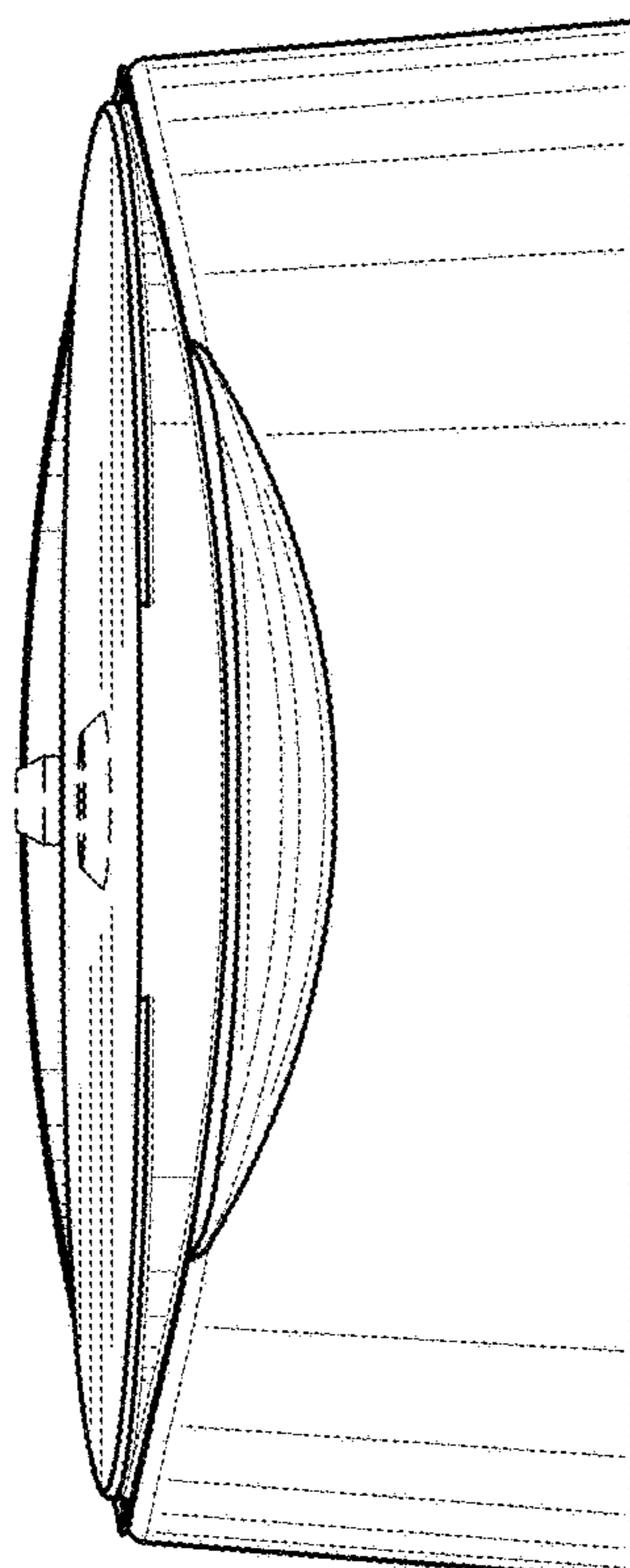


FIG. 9

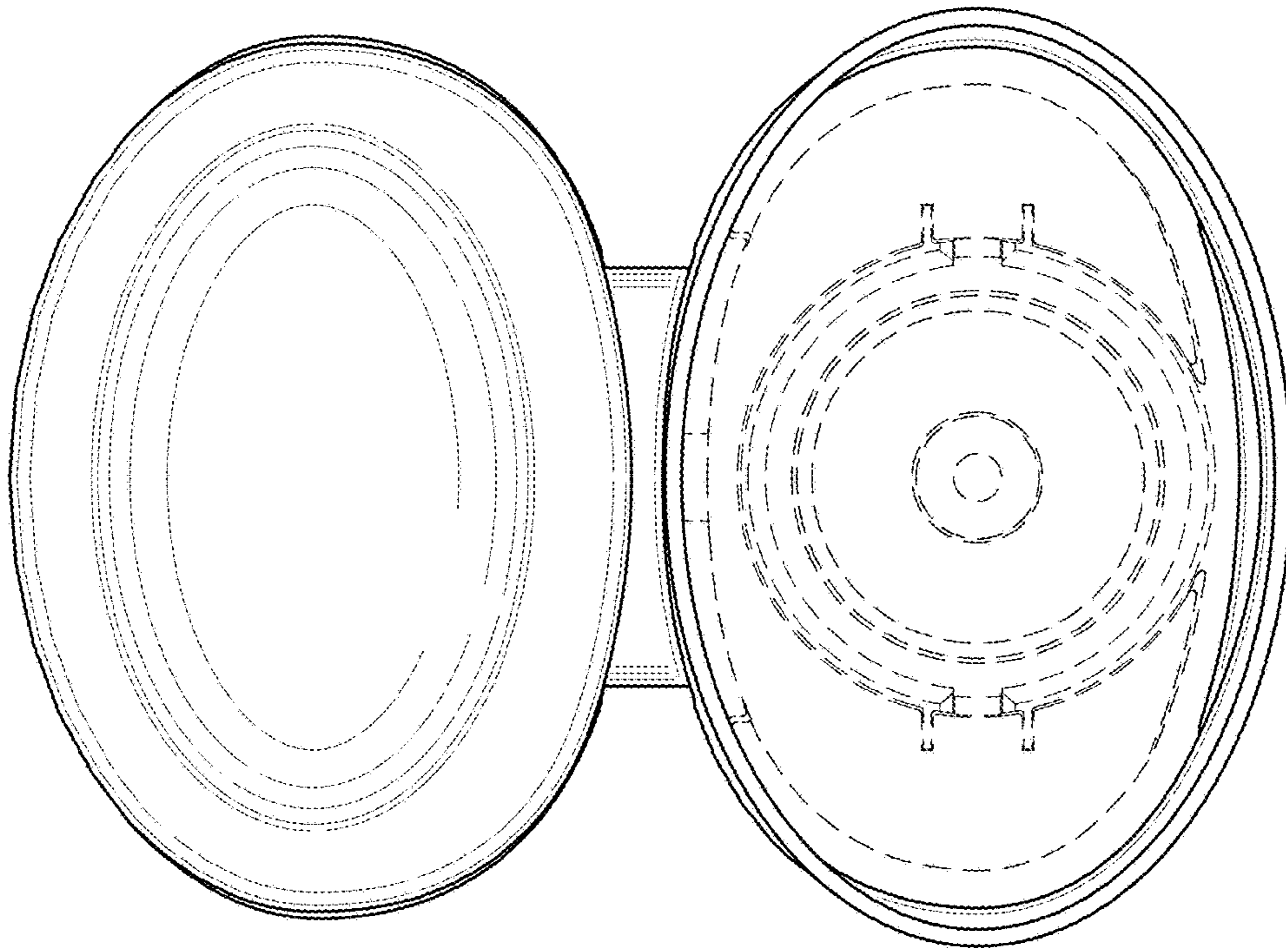


FIG. 12

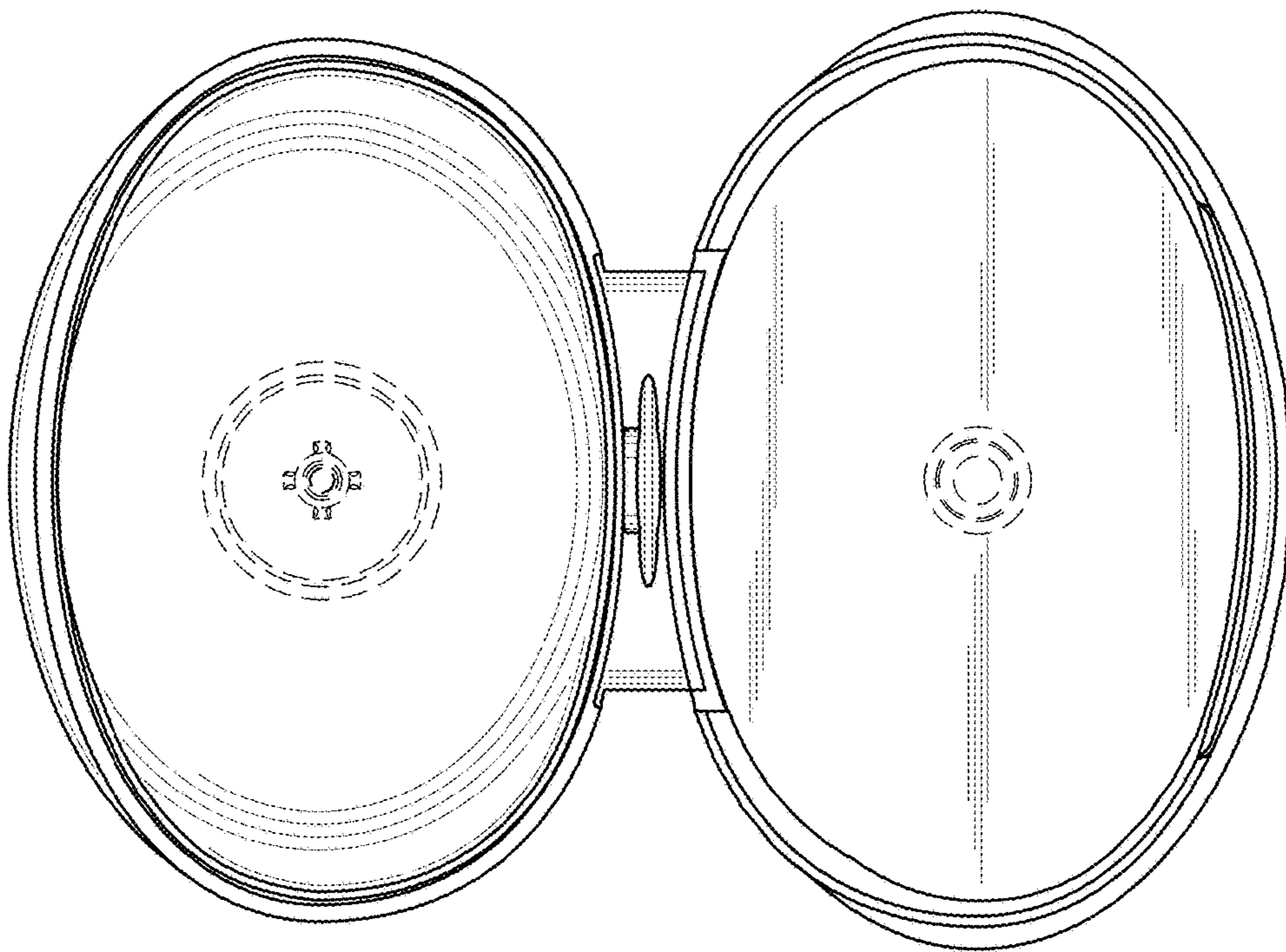


FIG. 11

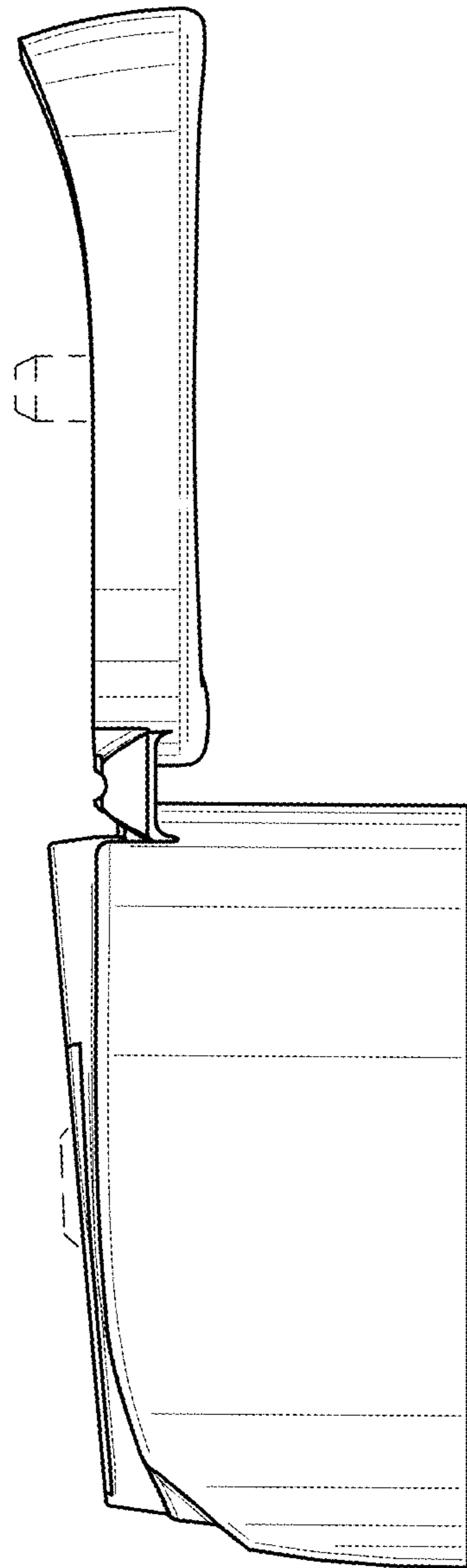


FIG. 13