



US00D823685S

(12) **United States Design Patent** (10) **Patent No.:** **US D823,685 S**  
**Burgeson et al.** (45) **Date of Patent:** **\*\* Jul. 24, 2018**

(54) **LIQUID SCENT DISPENSER**  
(71) Applicant: **WILDLIFE RESEARCH CENTER, INC.**, Ramsey, MN (US)  
(72) Inventors: **Samuel A. Burgeson**, Blaine, MN (US); **Shawn McKinney**, Forest Lake, MN (US)  
(73) Assignee: **WILDLIFE RESEARCH CENTER, INC.**, Ramsey, MN (US)

4,938,168 A 7/1990 Meidell  
4,993,568 A 2/1991 Morifuji et al.  
5,035,340 A 7/1991 Timmons  
5,060,411 A 10/1991 Uhlman  
5,060,830 A 10/1991 Krall  
5,148,949 A 9/1992 Luca  
5,220,741 A 6/1993 Burgeson  
5,263,274 A 11/1993 Speed  
5,279,062 A 1/1994 Burgeson  
(Continued)

(\*\*) Term: **15 Years**

FOREIGN PATENT DOCUMENTS  
WO WO 2011088274 7/2011

(21) Appl. No.: **29/595,730**

OTHER PUBLICATIONS

(22) Filed: **Mar. 1, 2017**

Tricorbraun plastic bottle, RapidCode 2016531 (details retrieved from <http://rapidfind.tricorbraun.com/products/productDetails.asp?mati=plastic&resultsetID=13455&productID=30841&startindex=1> on Oct. 8, 2010).

(51) **LOC (11) Cl.** ..... **09-07**

(52) **U.S. Cl.**  
USPC ..... **D9/447**

(Continued)

(58) **Field of Classification Search**  
USPC ..... D23/208, 356-369, 390; D9/702-714, D9/520, 434-436, 728, 695-699, D9/439-442, 453, 447-450, 424, 516, D9/454-455, 499; D6/542, 550; 215/380, 382; 222/566, 460; D7/392; D28/4, 73, 76, 5, 7; 206/229; D3/205, D3/273; 261/DIG. 17, 65, 88; 239/34, 239/44, 57, 58, 53, 37, 46, 55, 47  
CPC ..... B65D 47/00; B65D 47/06; A61L 9/00; A61L 9/03; A61L 9/012; A61L 9/04; A61L 9/037; A61L 9/035; A61L 9/032  
See application file for complete search history.

*Primary Examiner* — Abraham Bahta  
(74) *Attorney, Agent, or Firm* — Dorsey & Whitney LLP

(57) **CLAIM**

The ornamental design for a liquid scent dispenser, as shown and described.

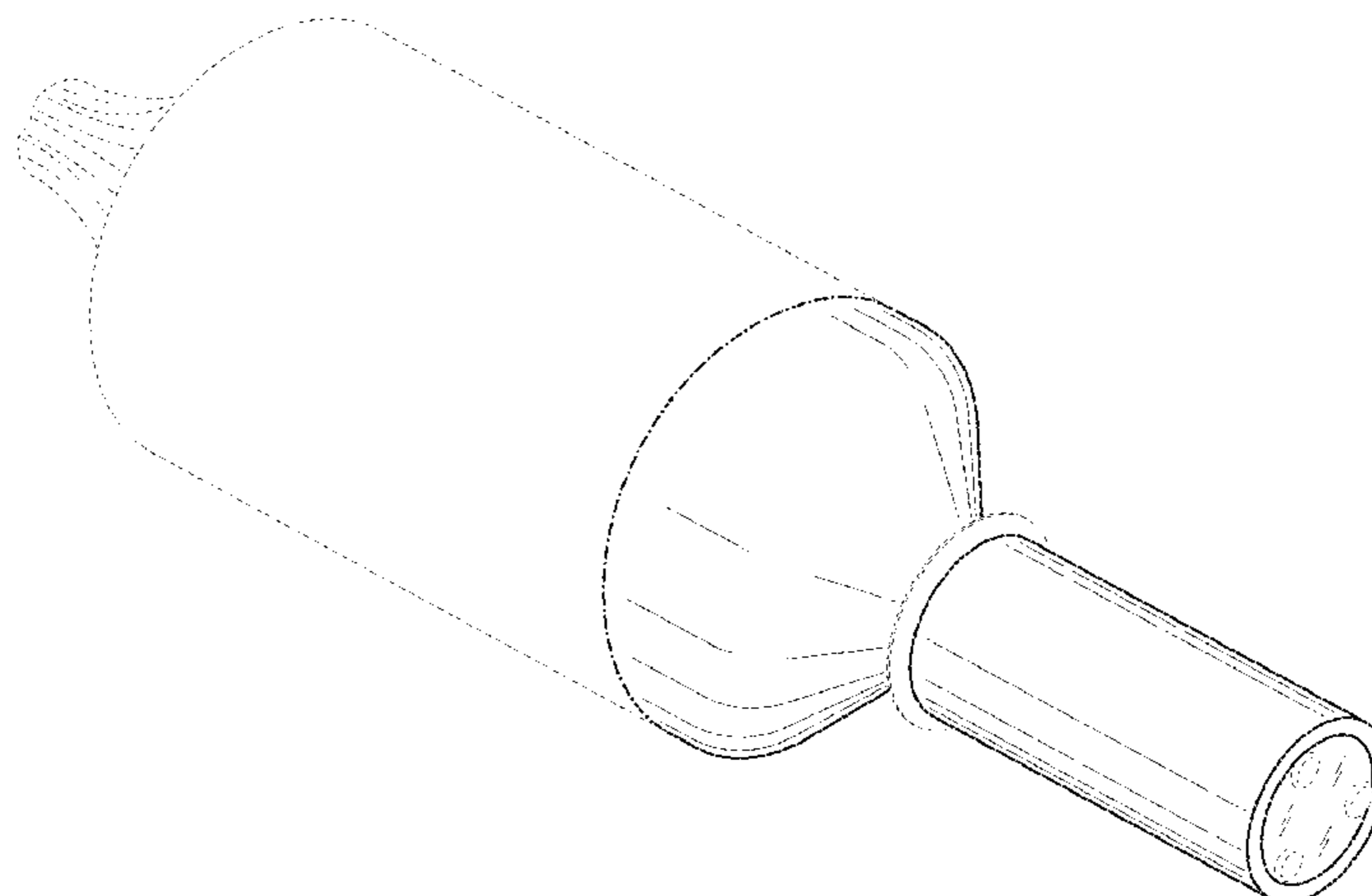
**DESCRIPTION**

FIG. 1 is a perspective view of a liquid scent dispenser showing our new design;  
FIG. 2 is a side view thereof;  
FIG. 3 is another side view thereof;  
FIG. 4 is a bottom view thereof; and,  
FIG. 5 is a top view thereof.  
The broken lines immediately adjacent the shaded surfaces represent the bounds of the claimed design. All other broken lines depict environmental subject matter that forms no part of the claimed design.

(56) **References Cited**  
U.S. PATENT DOCUMENTS

3,125,069 A 3/1964 Fowler  
3,552,605 A \* 1/1971 Hein ..... B65D 47/18  
222/207  
4,238,108 A 12/1980 Muetterties  
4,635,828 A 1/1987 Kaufman  
4,773,177 A 9/1988 Gray et al.

**1 Claim, 5 Drawing Sheets**



(56)

References Cited

U.S. PATENT DOCUMENTS

5,361,527 A 11/1994 Burgeson  
 5,429,271 A 7/1995 Porter  
 5,461,814 A 10/1995 Reid et al.  
 5,555,663 A 9/1996 Burgeson  
 D379,304 S \* 5/1997 Bova ..... D9/447  
 D396,188 S \* 7/1998 Sayers ..... D9/448  
 5,803,315 A 9/1998 Kaufman  
 5,894,961 A 4/1999 Kaufman et al.  
 5,904,272 A 5/1999 Kaufman et al.  
 5,971,208 A 10/1999 Kennedy  
 D435,896 S 1/2001 Burgeson  
 6,209,252 B1 4/2001 McGough  
 D447,533 S \* 9/2001 Cox ..... D22/125  
 6,589,487 B1 \* 7/2003 Ly ..... A61L 9/03  
 422/120  
 6,592,104 B2 7/2003 Cox  
 6,708,897 B1 3/2004 Hart  
 D515,685 S \* 2/2006 Ribbing ..... D23/366  
 7,108,199 B1 9/2006 Brown  
 8,510,984 B2 8/2013 Burgeson  
 D716,432 S \* 10/2014 Viala ..... A61L 9/03  
 D23/366  
 D727,671 S \* 4/2015 Gamelli ..... D7/300.1  
 D755,629 S \* 5/2016 Marraccini ..... D9/447  
 D775,925 S \* 1/2017 Lin ..... D8/83  
 D801,830 S \* 11/2017 Zhang ..... D9/724  
 2002/0054273 A1 5/2002 Martin  
 2005/0189433 A1 9/2005 Burgeson

2006/0260651 A1 11/2006 Holley, Jr.  
 2008/0054021 A1 3/2008 Brown et al.  
 2008/0283537 A1 11/2008 Smith et al.  
 2009/0320889 A1 12/2009 Holley, Jr.

OTHER PUBLICATIONS

Tricorbraun bottle closure, RapidCode 3002611 (details retrieved from <http://rapidfind.tricorbraun.com/Rproducts/RproductDetails.asp?matl=closures&resultsetID=13460&productID=9989&startindex=61> on Oct. 8, 2010).  
 Key-Wick®, Wildlife Research Center, Inc., downloaded from [http://wildlife.com/Hunting-Scent-Dispenser-Product\\_Details.php?Key-Wick-2](http://wildlife.com/Hunting-Scent-Dispenser-Product_Details.php?Key-Wick-2) Sep. 27, 2013.  
 Continuous Wicking System™, Wildlife Research Center, Inc. downloaded from [http://wildlife.com/Hunting-Scent-Dispenser-Product\\_Details.php?Continuous-Wicking-System-10](http://wildlife.com/Hunting-Scent-Dispenser-Product_Details.php?Continuous-Wicking-System-10) Sep. 27, 2013.  
 Pro-Wick®, Wildlife Research Center, Inc., downloaded from [http://wildlife.com/Hunting-Scent-Dispenser-Product\\_Details.php?Pro-Wick-4](http://wildlife.com/Hunting-Scent-Dispenser-Product_Details.php?Pro-Wick-4) Sep. 27, 2013.  
 Quik-Wiks®, Wildlife Research Center, Inc., downloaded from [http://wildlife.com/Hunting-Scent-Dispenser-Product\\_Details.php?Quik-Wiks-3](http://wildlife.com/Hunting-Scent-Dispenser-Product_Details.php?Quik-Wiks-3) Sep. 27, 2013.  
 Wildlife 381 Magnum ScrapeDripper Scent Dispenser, Camouflage by Wildlife Research, downloaded from <https://www.amazon.com/Wildlife-381-Scrape-Dripper-Dispenser-Camouflage/dp/B002PUS6R2> on Sep. 29, 2016.

\* cited by examiner



Fig. 1

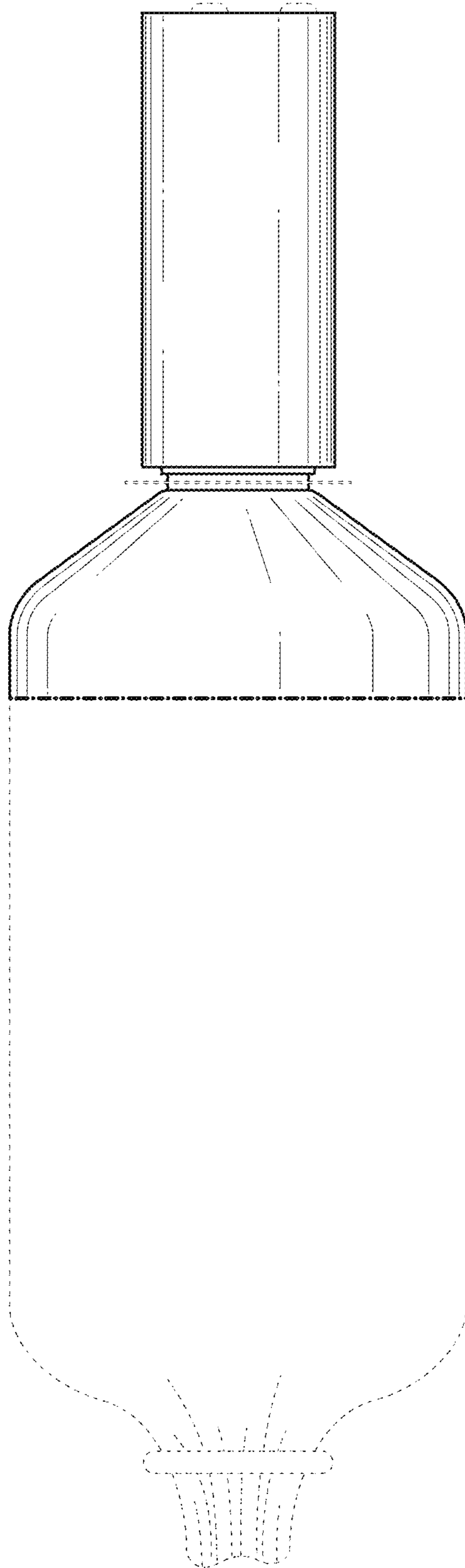


Fig. 2

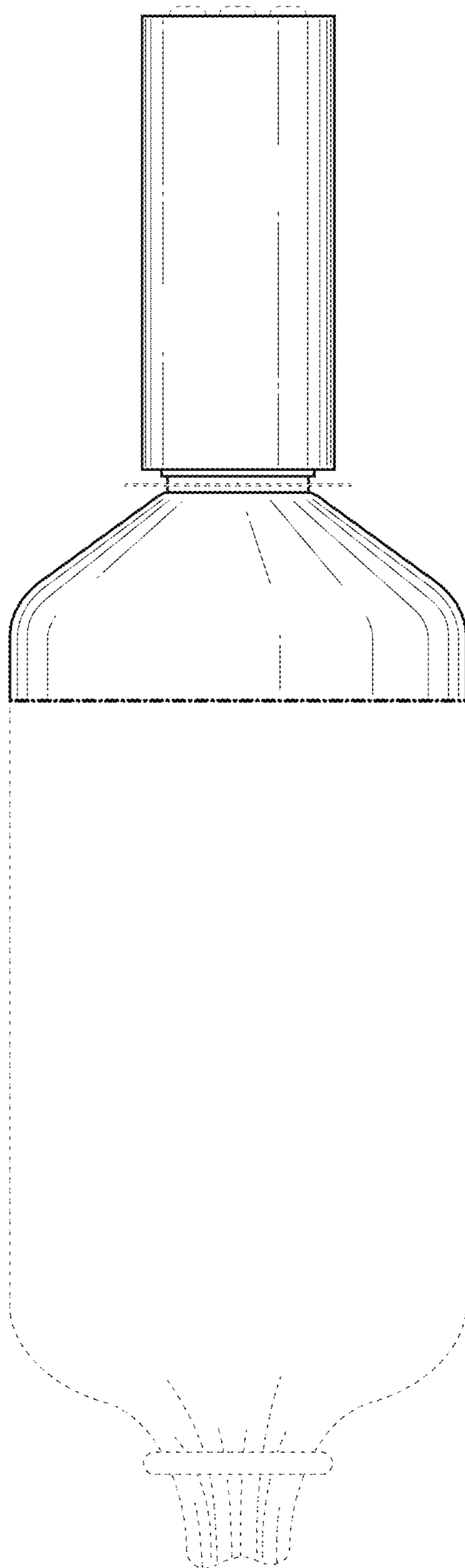


Fig. 3

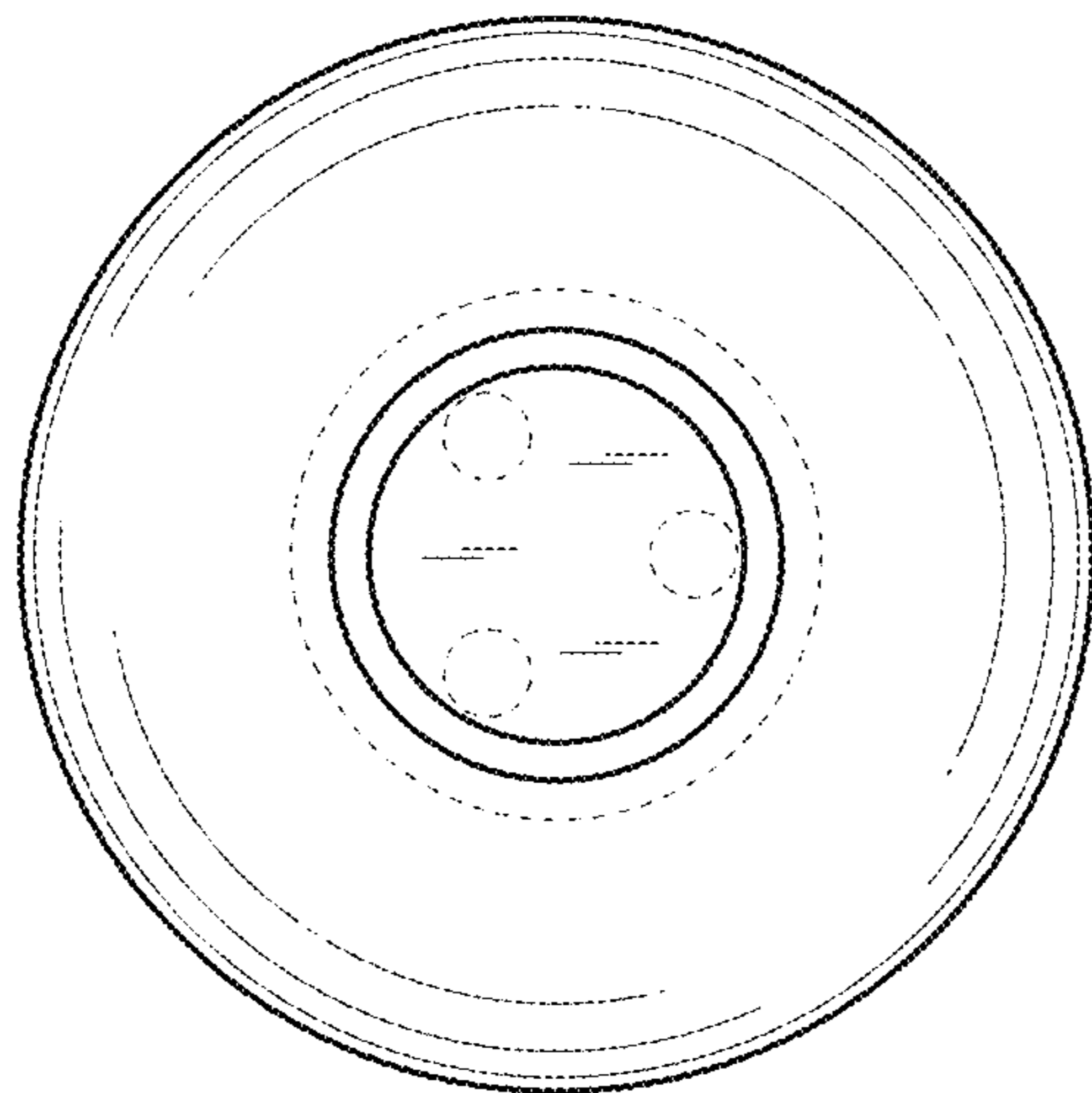
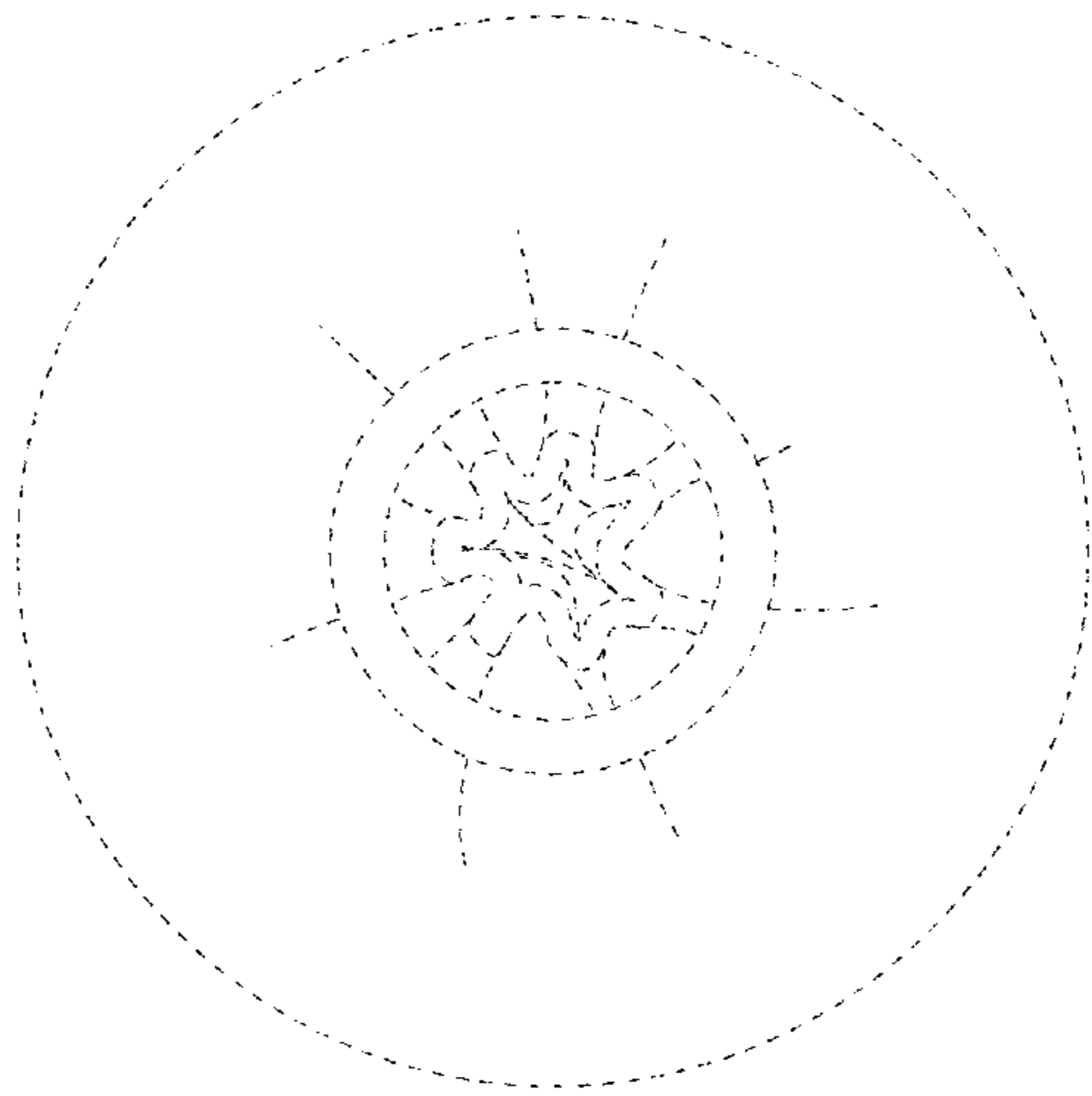


Fig. 4



**Fig. 5**