



US00D823682S

(12) **United States Design Patent** (10) **Patent No.:** **US D823,682 S**
Fikar (45) **Date of Patent:** **** Jul. 24, 2018**

(54) **MULTIPLE PART PACKAGE FOR CONFECTIONARY**

D774,894 S * 12/2016 Larson D9/418
D782,295 S * 3/2017 Lee D9/415
2010/0301107 A1* 12/2010 Stephens B65D 5/0227
229/109

(71) Applicant: **Jindřich Fikar**, Kuřim (CZ)

(72) Inventor: **Jindřich Fikar**, Kuřim (CZ)

(**) Term: **15 Years**

(21) Appl. No.: **29/580,526**

(22) Filed: **Oct. 11, 2016**

(30) **Foreign Application Priority Data**

Apr. 15, 2016 (EM) 003071141-0001

(51) **LOC (11) Cl.** **09-01**

(52) **U.S. Cl.**
USPC **D9/432**; D9/711; D9/418

(58) **Field of Classification Search**
USPC D9/414-419, 420-423, 430-434, 457,
D9/711, 713, 720-722, 733, 734, 737,
D9/761; D3/290, 304, 305, 315;
D20/10, 22, 27, 28, 39, 40, 42
CPC B65D 5/00; B65D 5/0015; B65D 5/061;
B65D 5/18; B65D 5/20; B65D 5/32;
B65D 5/321; B65D 5/322

See application file for complete search history.

(56) **References Cited**

U.S. PATENT DOCUMENTS

D242,465 S * 11/1976 Heidecker D14/479
D255,547 S * 6/1980 Grodin D9/418
D285,905 S * 9/1986 Segal D9/415
D365,024 S * 12/1995 DuBow D9/434
D386,406 S * 11/1997 House D9/433
D567,295 S * 4/2008 Cameron D20/28
D599,153 S * 9/2009 Wynalda, Jr. D6/627
D600,965 S * 9/2009 Eliaš D6/626
D667,215 S * 9/2012 DeGrouchy D3/208
D694,623 S * 12/2013 Bellamah D9/432
D767,986 S * 10/2016 Epstein D3/289

OTHER PUBLICATIONS

Replay Double Disc Recycled Card Wallet. [online] Published on Jul. 29, 2016. Retrieved Oct. 12, 2017 from URL: <http://www.rivieramultimedia.co.uk/replay-cd-dvd-double-disc-recycled-card-wallet-c2x10303245>.*

Artisan Storm Gray CD Sleeve. [online] Published on Jan. 17, 2013. Retrieved Oct. 12, 2017 from URL: <https://www.ricestudiosupplies.com/artisan-storm-gray-cd-sleeve>.*

* cited by examiner

Primary Examiner — Vy N Koenig

(74) Attorney, Agent, or Firm — Collard & Roe, P.C.

(57) **CLAIM**

The ornamental design for a multiple part package for confectionary, as shown and described.

DESCRIPTION

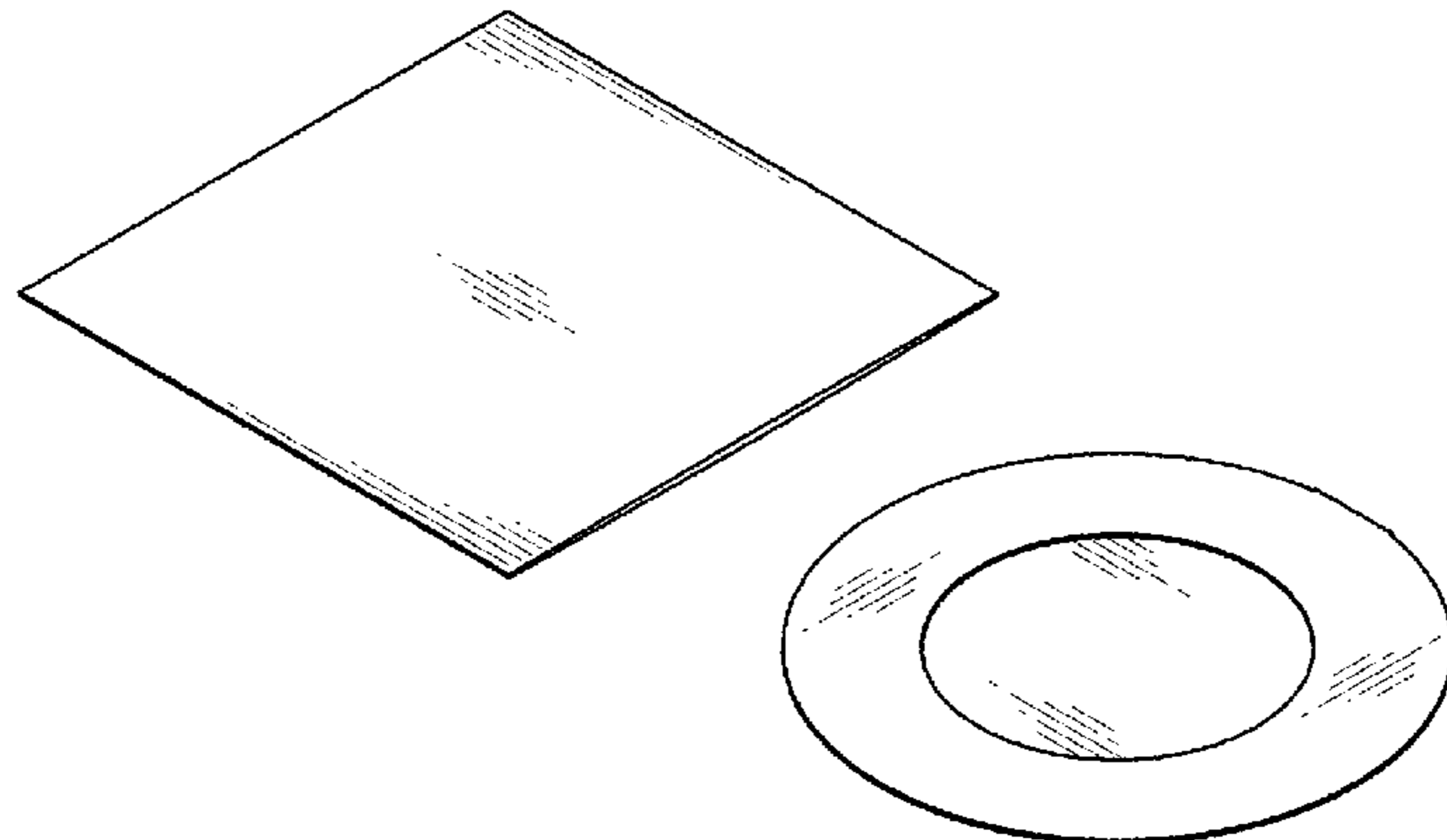
FIG. 1 is a front view of the multiple part package for confectionary showing the inner and outer components in a separated state, showing my new design;

FIG. 2 is a front elevational view thereof, in a partially assembled state;

FIG. 3 is a front elevational view thereof in a fully assembled state, with the rear view being a mirror image thereof;

FIG. 4 is a front and side perspective view of the inner component of the package of FIG. 1 in an opened state; and, FIG. 5 is a front and side perspective view of the inner and outer components of FIG. 1 in a separated state.

1 Claim, 3 Drawing Sheets



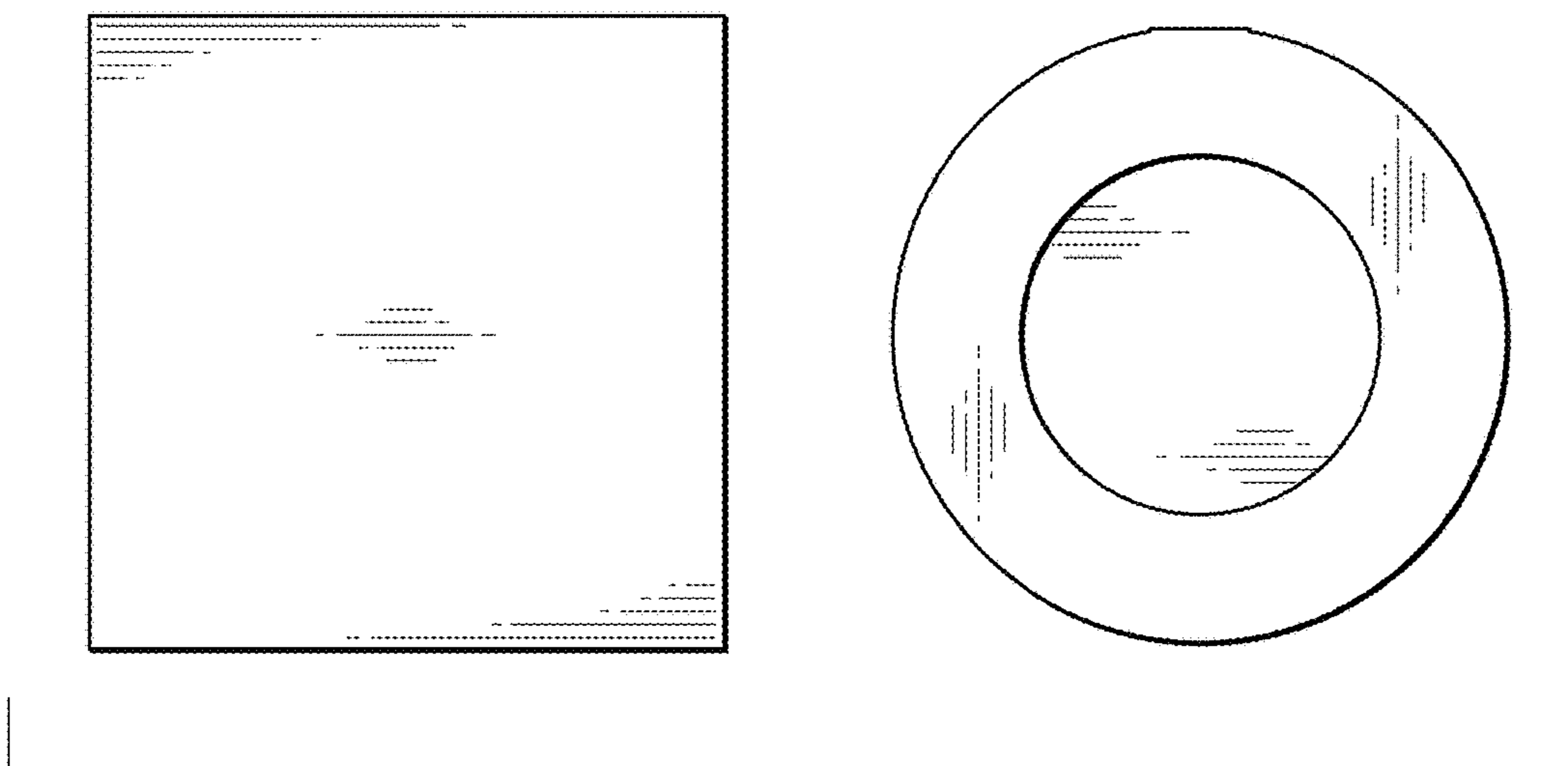


FIG. 1

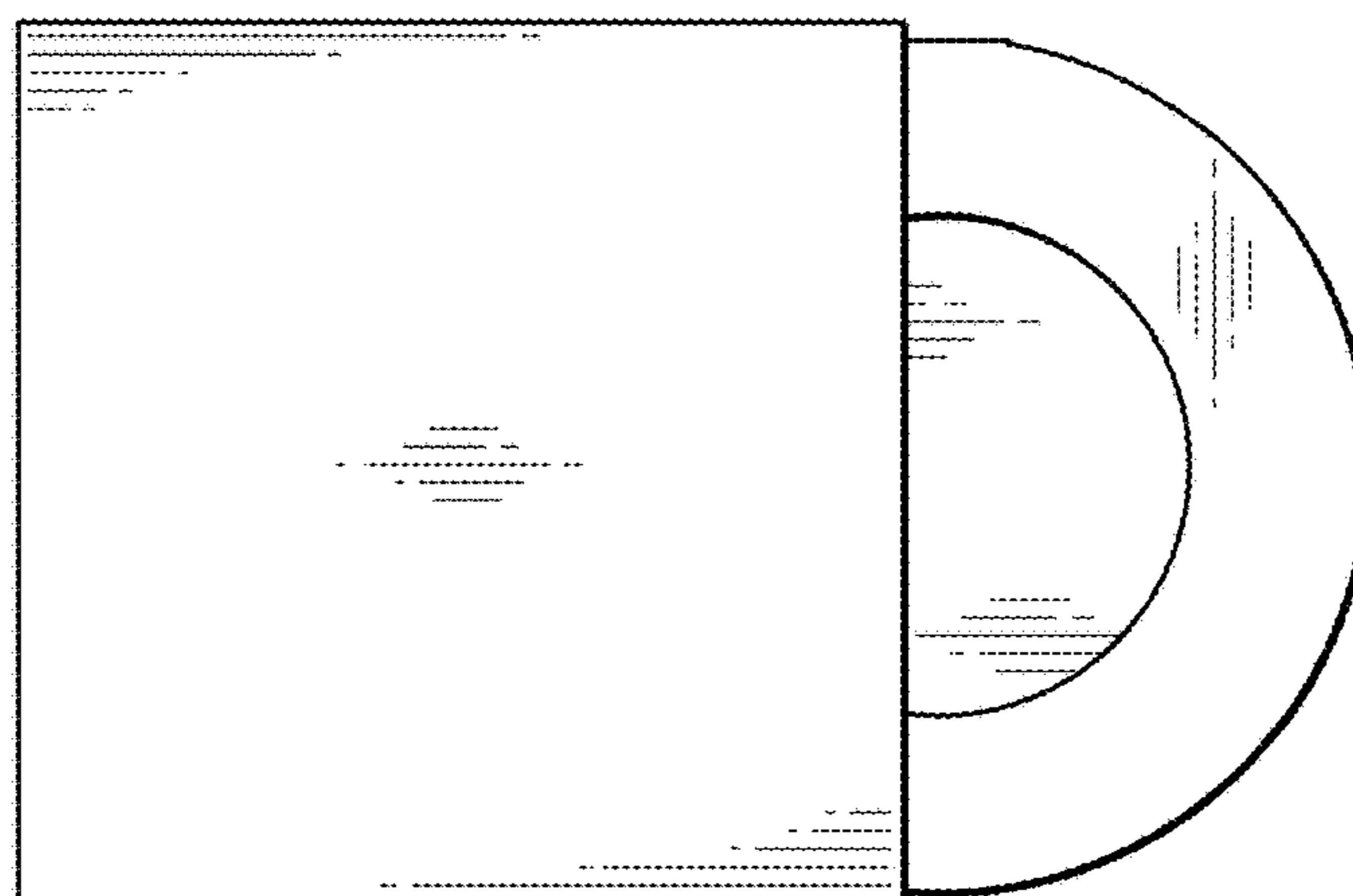


FIG. 2

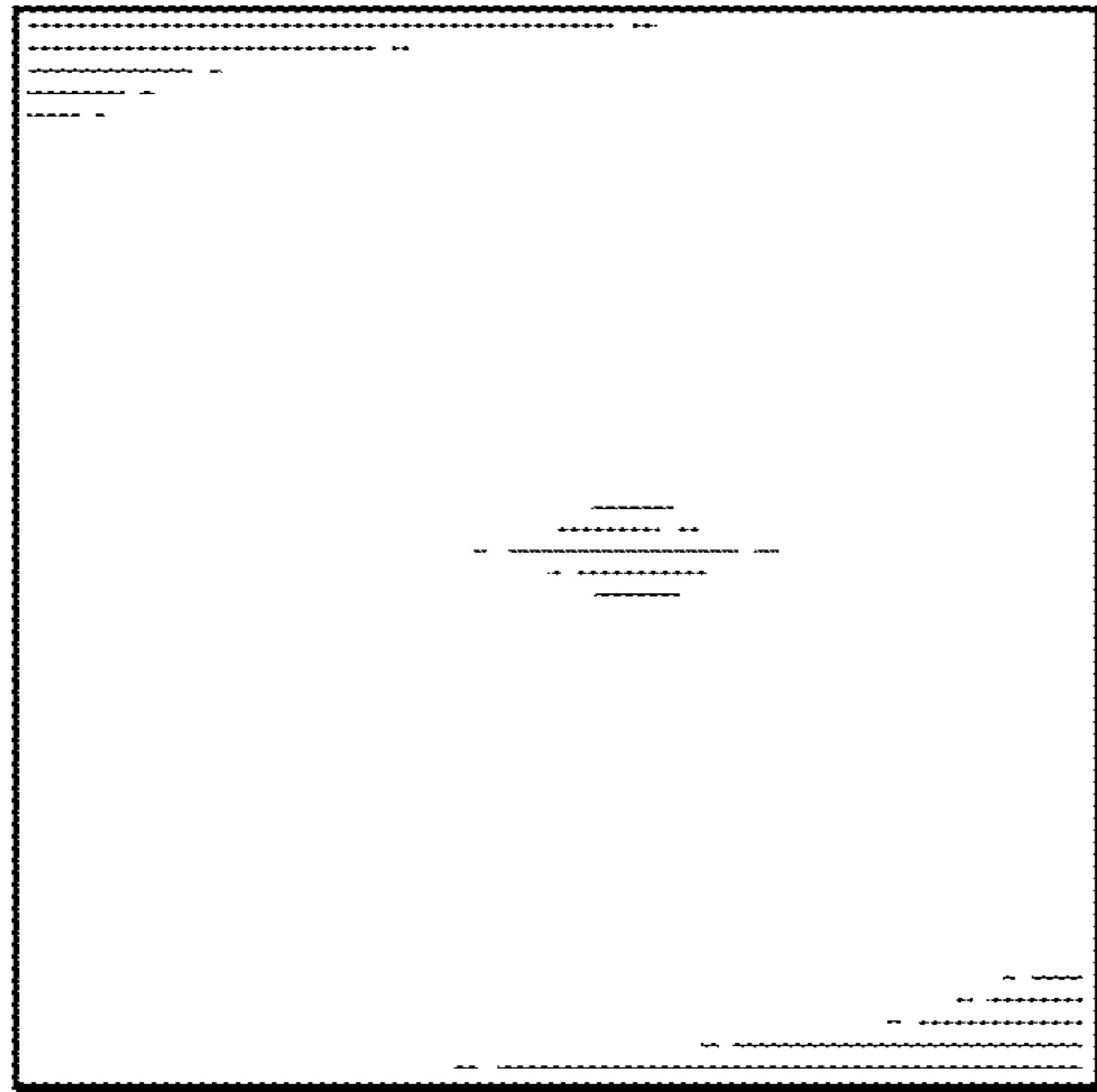


FIG. 3

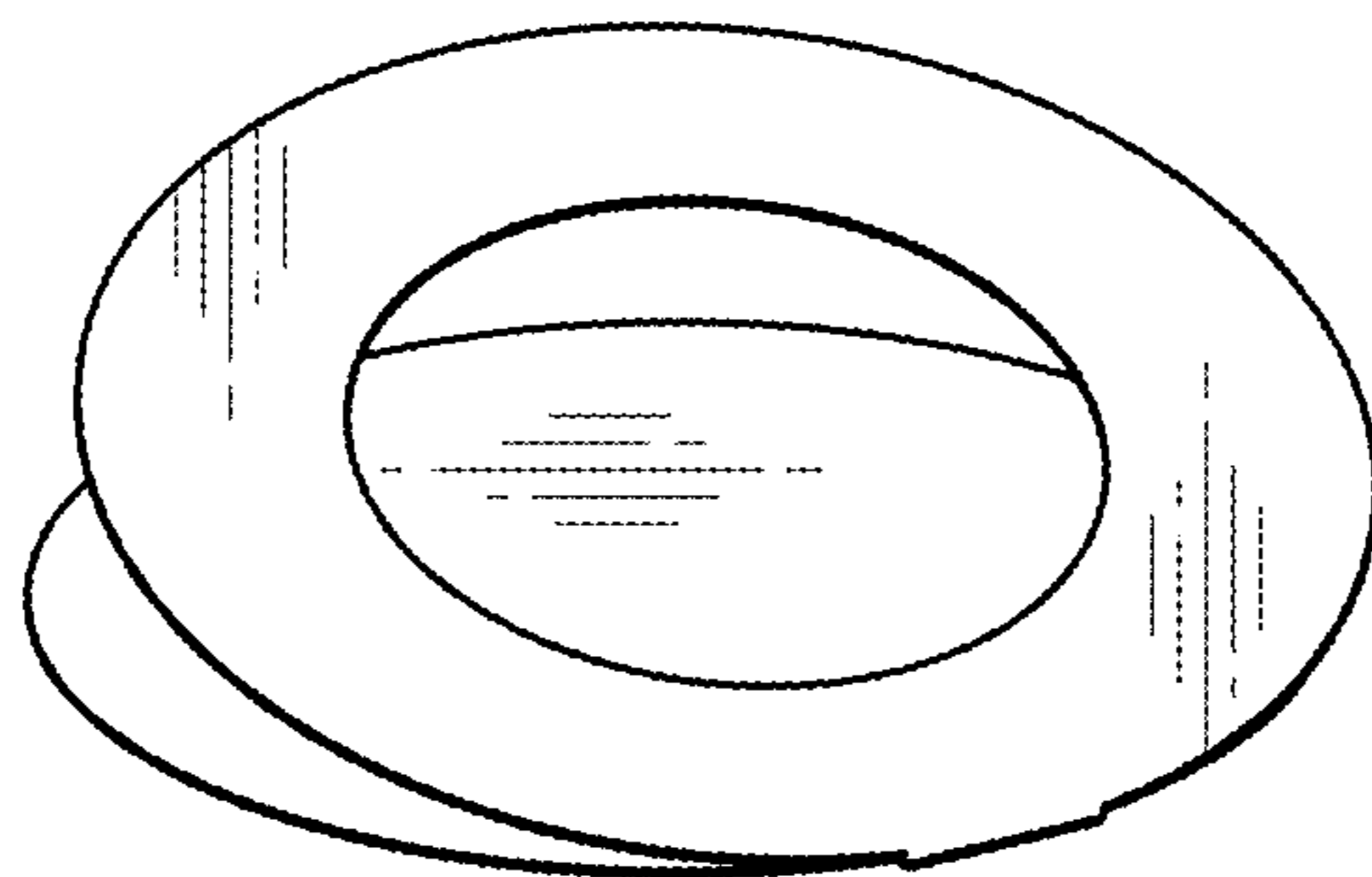


FIG. 4

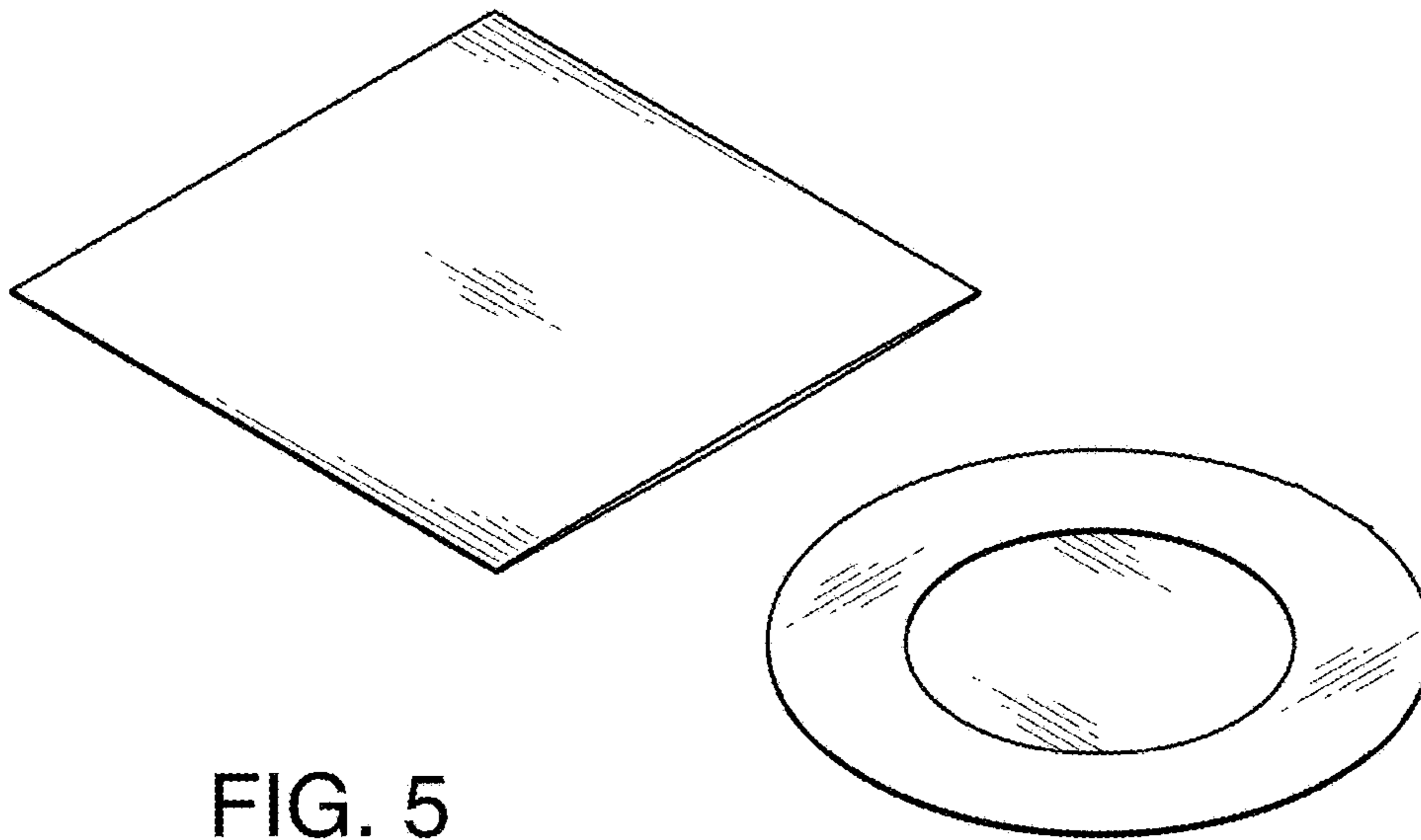


FIG. 5